



US00D706275S

(12) **United States Design Patent**
Derry et al.

(10) **Patent No.:** **US D706,275 S**
(45) **Date of Patent:** **** Jun. 3, 2014**

- (54) **MULTI-DISPLAY POLE ARM SYSTEM**
 - (75) Inventors: **Bradley A. Derry**, Easton, PA (US);
Stephen J. Bowman, Allentown, PA (US)
 - (73) Assignee: **Innovative Office Products, LLC**,
Easton, PA (US)
 - (**) Term: **14 Years**
 - (21) Appl. No.: **29/415,961**
 - (22) Filed: **Mar. 16, 2012**
 - (51) **LOC (10) Cl.** **08-07**
 - (52) **U.S. Cl.**
USPC **D14/452**
 - (58) **Field of Classification Search**
USPC D14/371-382, 125-129, 336, 337, 448,
D14/450-452, 492, 335, 447, 239; 341/12;
345/104, 156, 168, 173; 348/180, 184,
348/325, 739, 825; 349/1, 2, 11, 62;
361/679.02, 679.04-679.07, 679.09,
361/679.21, 679.22, 679.26, 679.3;
D8/349, 354, 363, 373, 376, 380;
248/519, 534, 541, 58, 125.8, 127,
248/131, 133, 139, 176.1, 176.3, 188.5,
248/279.1, 333, 917-924; 379/454, 455;
312/223.3
- See application file for complete search history.

- D520,017 S * 5/2006 van Kuijk et al. D14/452
 - D522,009 S * 5/2006 Chen D14/452
 - 7,264,212 B2 9/2007 Hung
 - D554,982 S 11/2007 Wenck
- (Continued)

FOREIGN PATENT DOCUMENTS

EP 1139003 A2 10/2001

OTHER PUBLICATIONS

Humanscale M7 One Monitor Arm for Desk Mount or Wall Mount from www.ergodirect.com and photo of the same from www.humanscale.com; Nov. 26, 2010.

(Continued)

Primary Examiner — Deanna L Pratt
Assistant Examiner — Katie Mroczka
(74) *Attorney, Agent, or Firm* — Design IP

(57) **CLAIM**
The ornamental design for a multi-display pole arm system, as shown and described.

DESCRIPTION

FIG. 1 is a perspective view of a multi-display pole arm system showing our new design; FIG. 2 is a front view thereof; FIG. 3 is a rear view thereof; FIG. 4 is a left side view thereof; FIG. 5 is a right side view thereof; FIG. 6 is a top view thereof; and, FIG. 7 is a bottom view thereof.

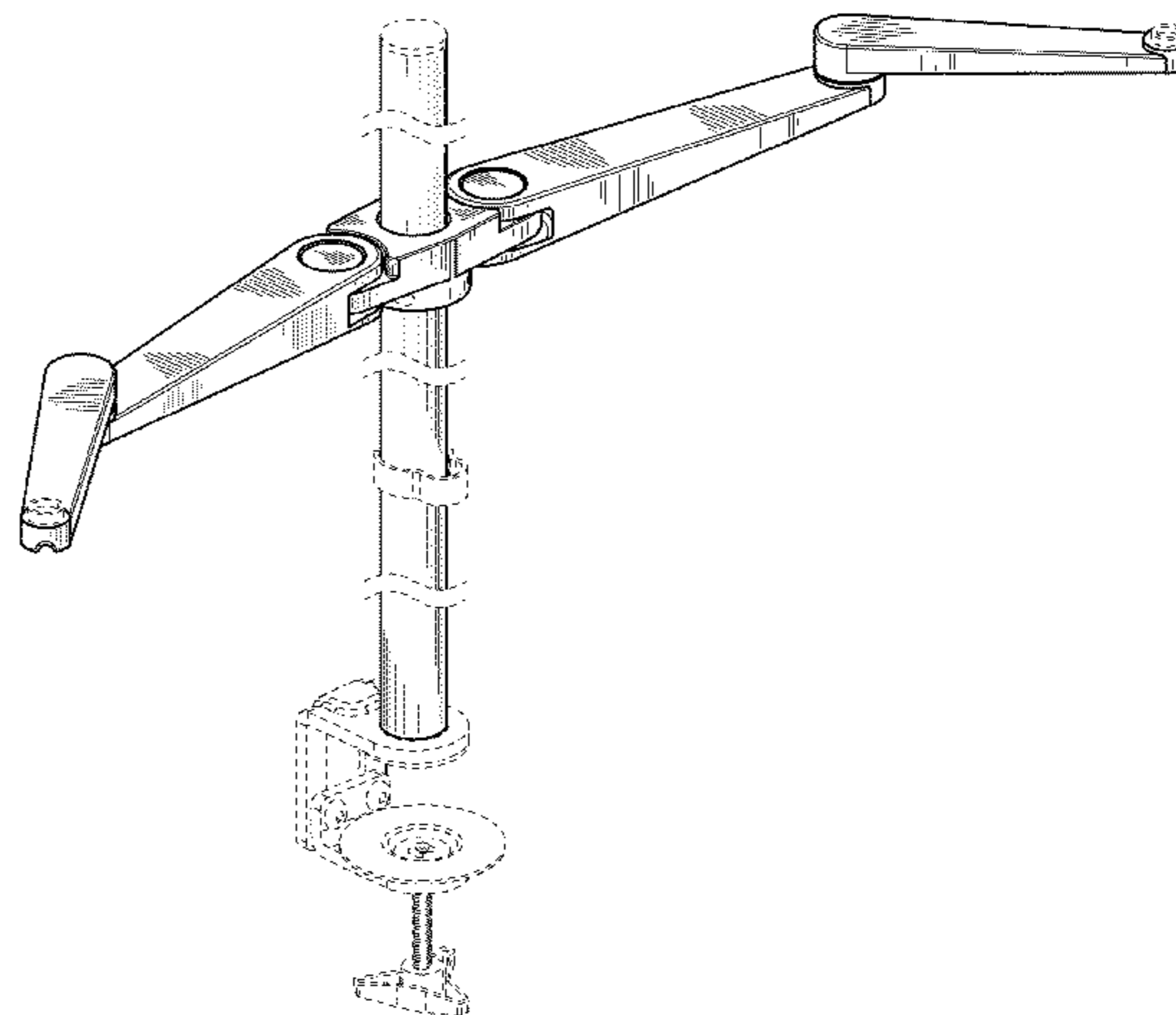
The broken lines shown in FIGS. 1-7 illustrate portions of the multi-display pole arm system which form no part of the claimed design. The broken wavy circumferential lines wrapping around the middle, vertical pole of the multi-display pole arm system indicate that the appearance of any portion of the article between the break lines forms no part of the claimed design.

1 Claim, 5 Drawing Sheets

(56) **References Cited**

U.S. PATENT DOCUMENTS

- 4,058,302 A 11/1977 Barrowcliff
- D391,148 S 2/1998 Rosen
- 6,129,320 A 10/2000 Warren-Pfaeffle
- D435,852 S * 1/2001 Oddsen, Jr. D14/452
- D465,188 S 11/2002 McCoy et al.
- D494,183 S 8/2004 Wills et al.
- D496,367 S 9/2004 Pfister
- D507,477 S * 7/2005 Pfister D8/363
- D508,917 S 8/2005 Wills et al.
- D509,826 S * 9/2005 Jobs et al. D14/371



(56)

References Cited

U.S. PATENT DOCUMENTS

D555,657 S 11/2007 Loyd
D557,125 S * 12/2007 Worrall et al. D8/380
D587,716 S * 3/2009 Hau et al. D14/452
D598,917 S 8/2009 Luber
D606,548 S 12/2009 Sapper
D617,630 S 6/2010 Mansikkamaa
D631,052 S * 1/2011 Hung D14/452
7,967,265 B2 6/2011 Oddsen, Jr. et al.
D643,042 S * 8/2011 Saelid D14/452
D649,552 S * 11/2011 Huang D14/452
D652,030 S * 1/2012 Dolack D14/239
D656,493 S * 3/2012 Dolack D14/239
D660,307 S * 5/2012 Huang D14/452
D660,308 S * 5/2012 Huang D14/452

D688,674 S * 8/2013 Lau et al. D14/452
2004/0232474 A1 11/2004 Maemura
2008/0164395 A1 7/2008 Chang et al.
2010/0237209 A1 9/2010 Whittemore et al.

OTHER PUBLICATIONS

Dual Screen Monitor Arm by Symmetry Office Products from www.gkbcinc.com and installation instructions for the same from www.symmetryoffice.com; Nov. 26, 2010.

Visidec Focus Micro LCD Monitor Arm from www.facio-uk.co.uk and product sheet and installation instructions for the same from www.atdec.com; Nov. 26, 2010.

Spacedec Flat Panel Monitor Arm from www.ergonomicbusiness-solutions.com and product sheet for the same from www.atdec.com; Nov. 26, 2010.

* cited by examiner

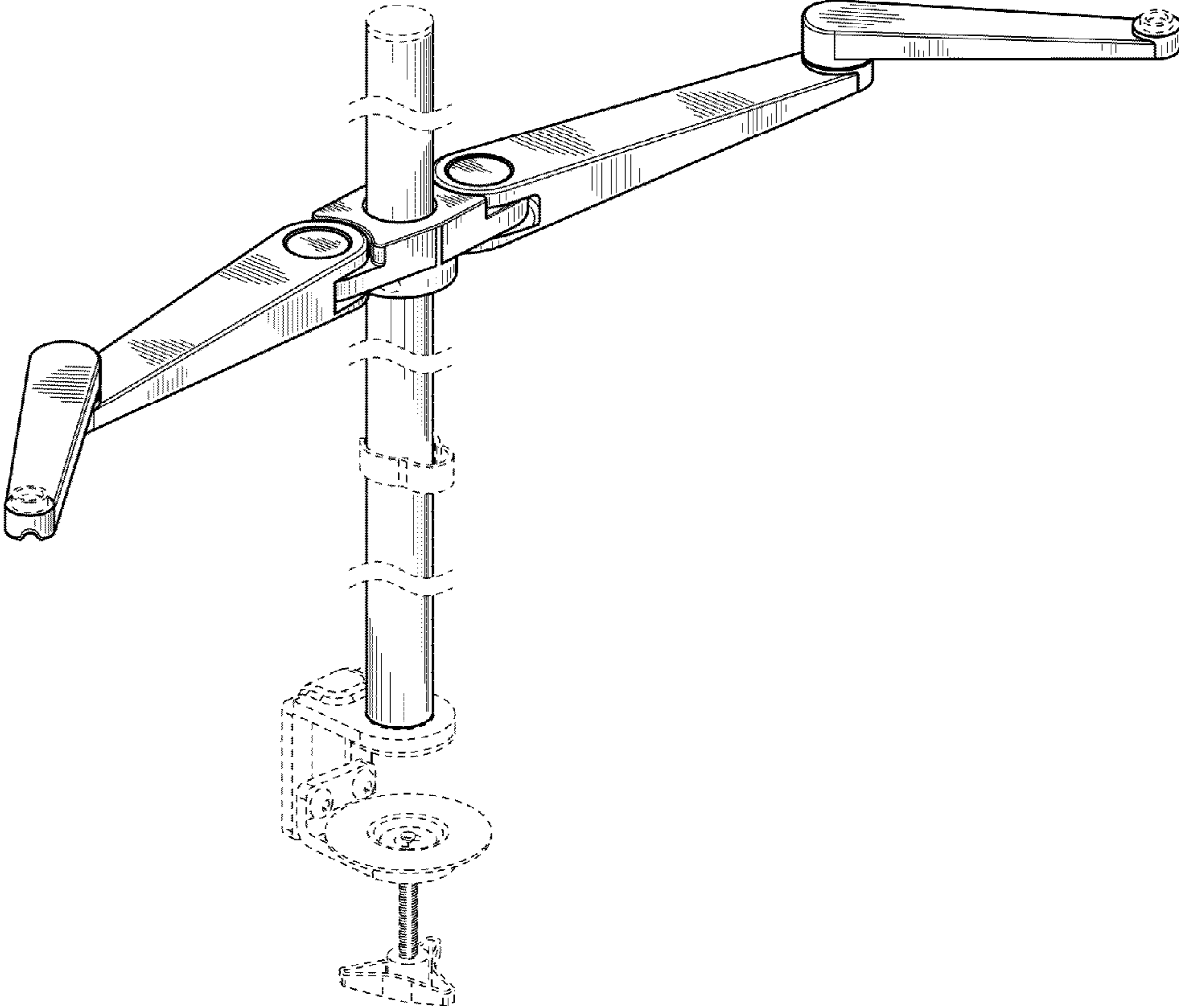


FIG. 1

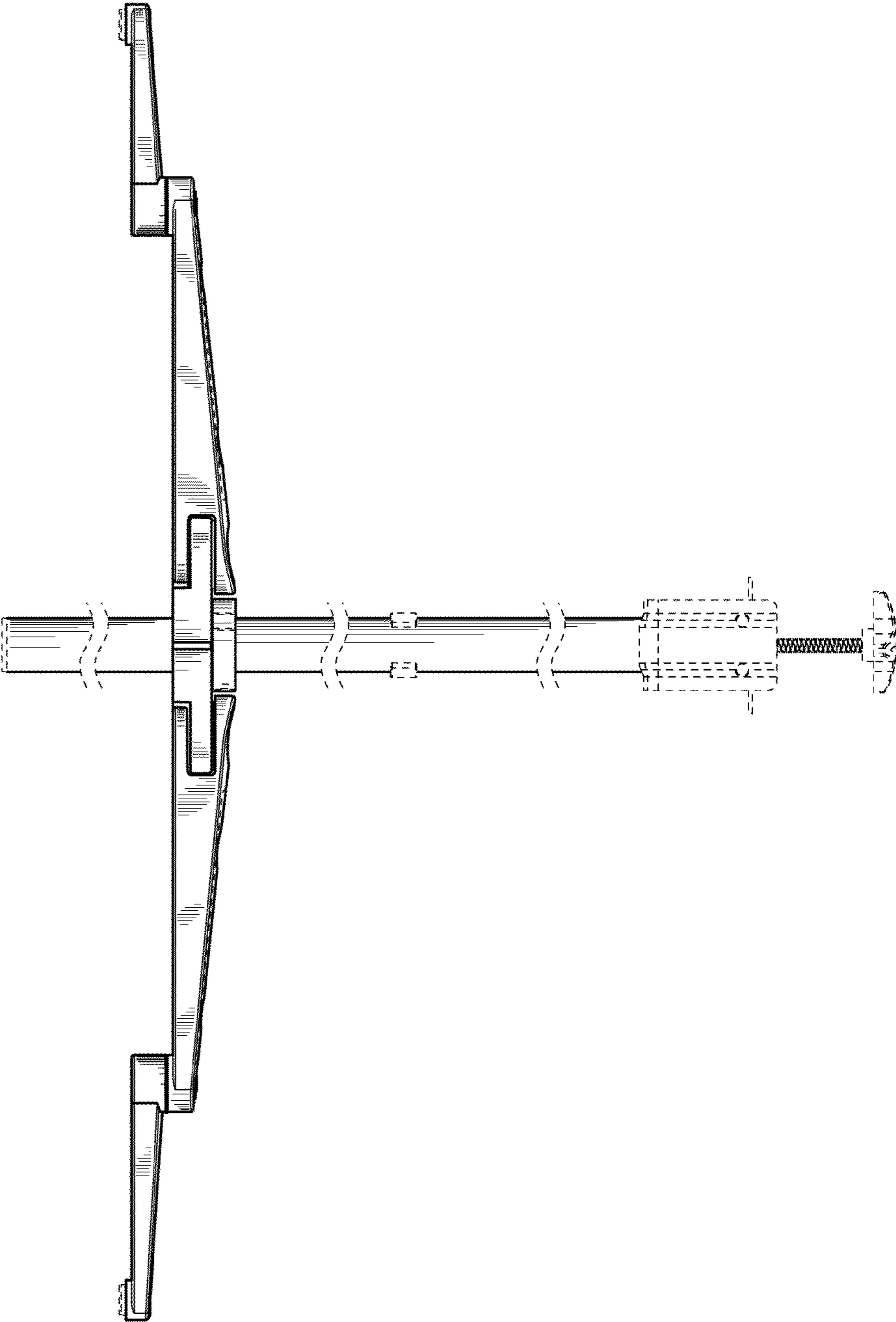


FIG. 2

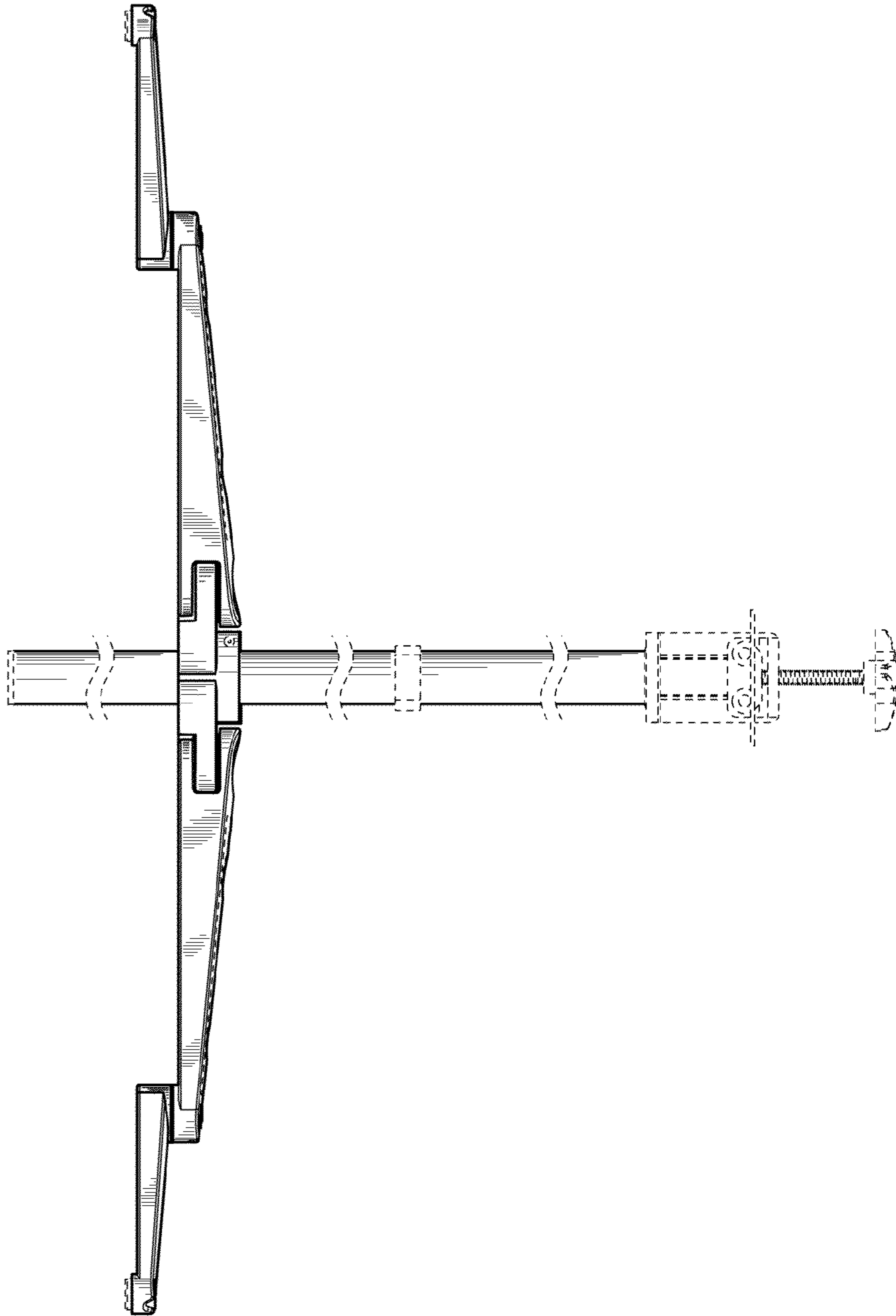


FIG. 3

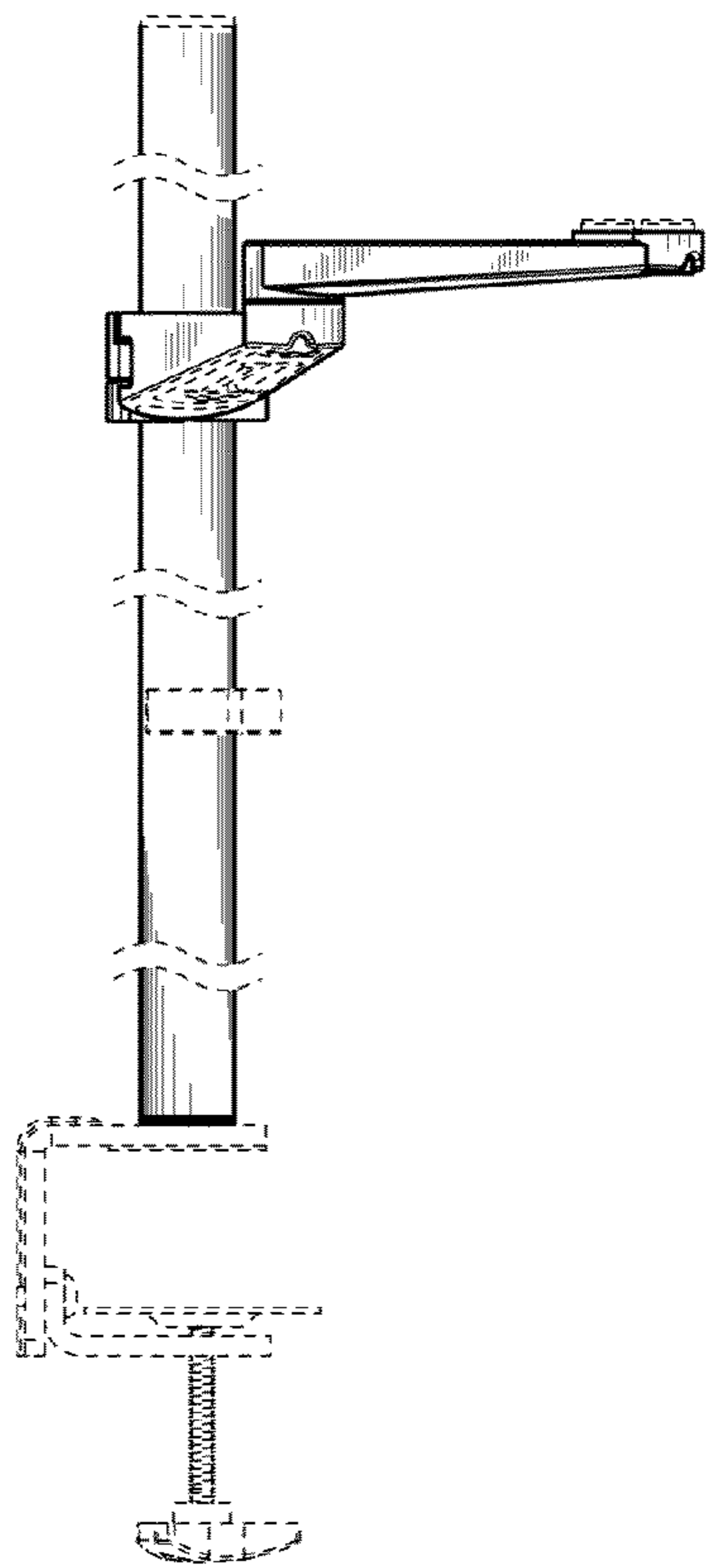


FIG. 4

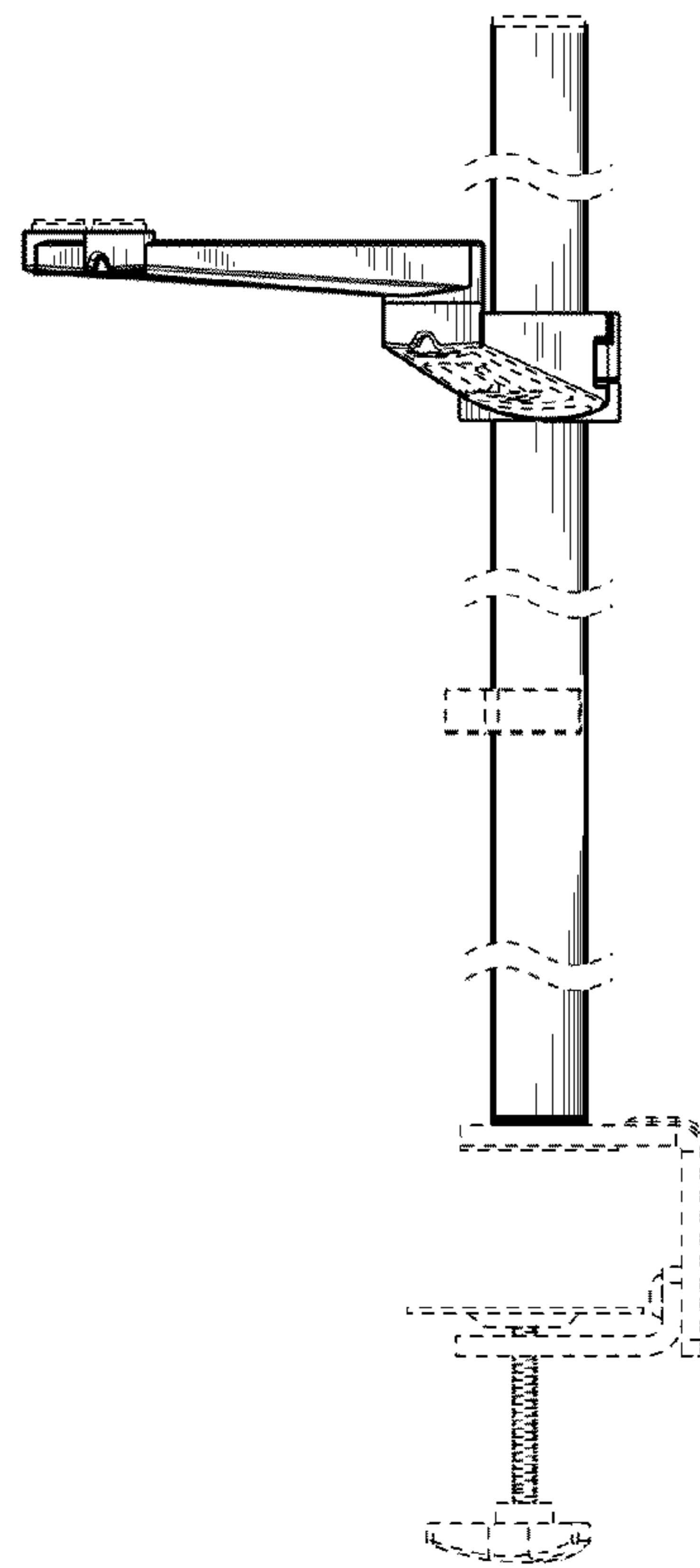


FIG. 5

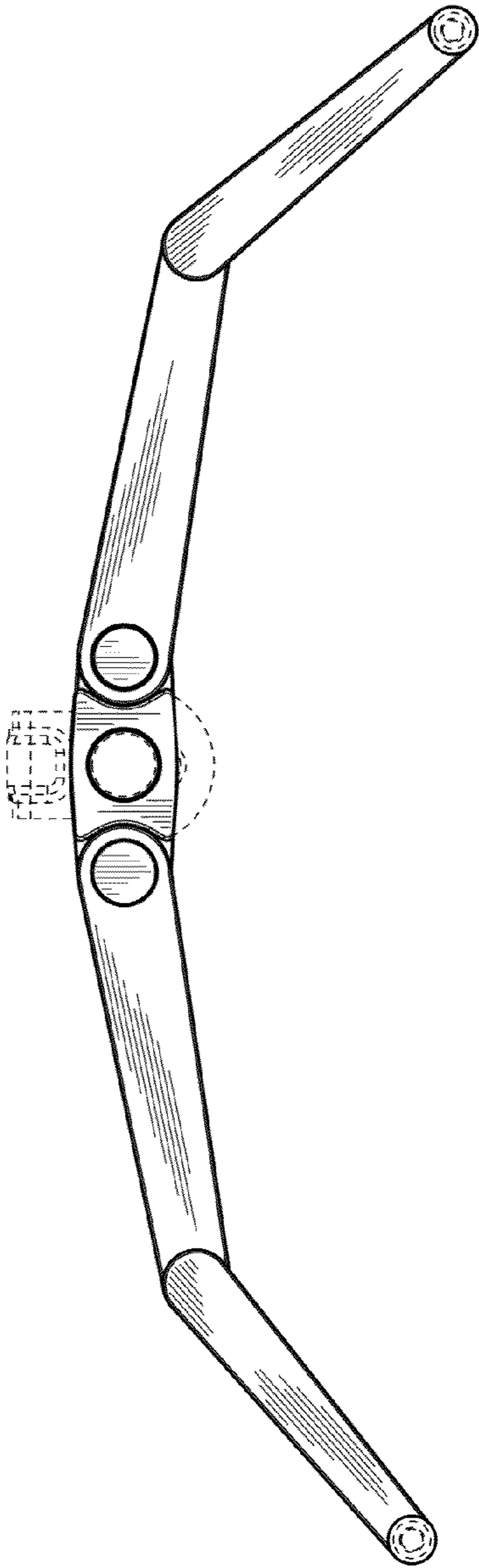


FIG. 6

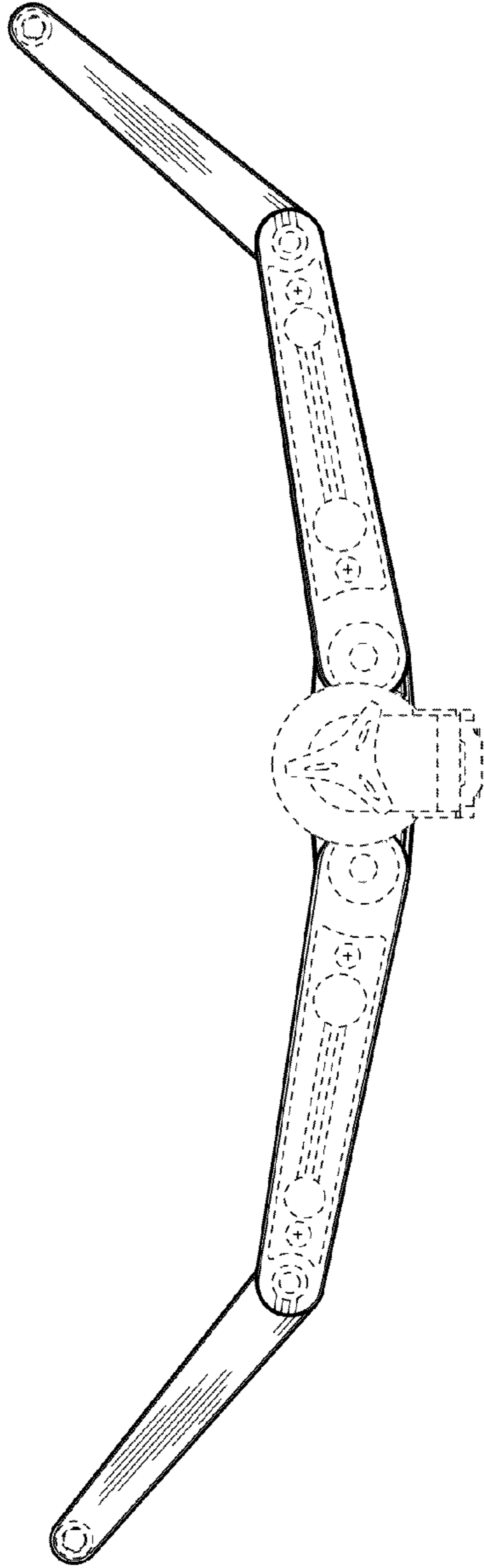


FIG. 7