



US00D706274S

(12) **United States Design Patent**
Shubin, Sr.

(10) **Patent No.:** **US D706,274 S**
(45) **Date of Patent:** **** Jun. 3, 2014**

(54) **TABLET COMPUTER HOLDER**

(71) Applicant: **Steven A. Shubin, Sr.**, Dripping Springs, TX (US)

(72) Inventor: **Steven A. Shubin, Sr.**, Dripping Springs, TX (US)

(**) Term: **14 Years**

(21) Appl. No.: **29/459,510**

(22) Filed: **Jul. 1, 2013**

(51) **LOC (10) Cl.** **14-04**

(52) **U.S. Cl.**
USPC **D14/447**

(58) **Field of Classification Search**
USPC D14/447, 432, 434, 439, 440, 451, 452, D14/457, 460, 461, 238.1, 250, 251, 253; D3/218; D6/406.3, 406.4, 406.5, D6/406.6; 248/444, 441.1, 188.6, 248/917-924; 361/679.02, 679.03, 679.04, 361/679.09, 679.21, 679.26, 679.27, 679.3, 361/679.55, 679.56

See application file for complete search history.

(56) **References Cited**

U.S. PATENT DOCUMENTS

5,029,260	A *	7/1991	Rollason	235/145 R
D328,302	S *	7/1992	Murzanski et al.	D14/253
5,176,274	A *	1/1993	Jenkins	220/17.1
D396,438	S *	7/1998	Ellsworth	D12/604
D467,933	S *	12/2002	Hovsepian	D14/458
D543,214	S *	5/2007	Stewart et al.	D14/460
D633,504	S *	3/2011	Alexander, Jr.	D14/447
D642,579	S *	8/2011	Deutsch et al.	D14/440
D661,125	S *	6/2012	Francis	D6/406.3

D663,546	S *	7/2012	Jennings	D6/406.3
D691,367	S *	10/2013	Chappell	D3/218
D693,892	S *	11/2013	Bentley et al.	D21/796
2013/0025204	A1 *	1/2013	Huang	49/70

* cited by examiner

Primary Examiner — Angela J Lee

(74) *Attorney, Agent, or Firm* — Conley Rose, P.C.

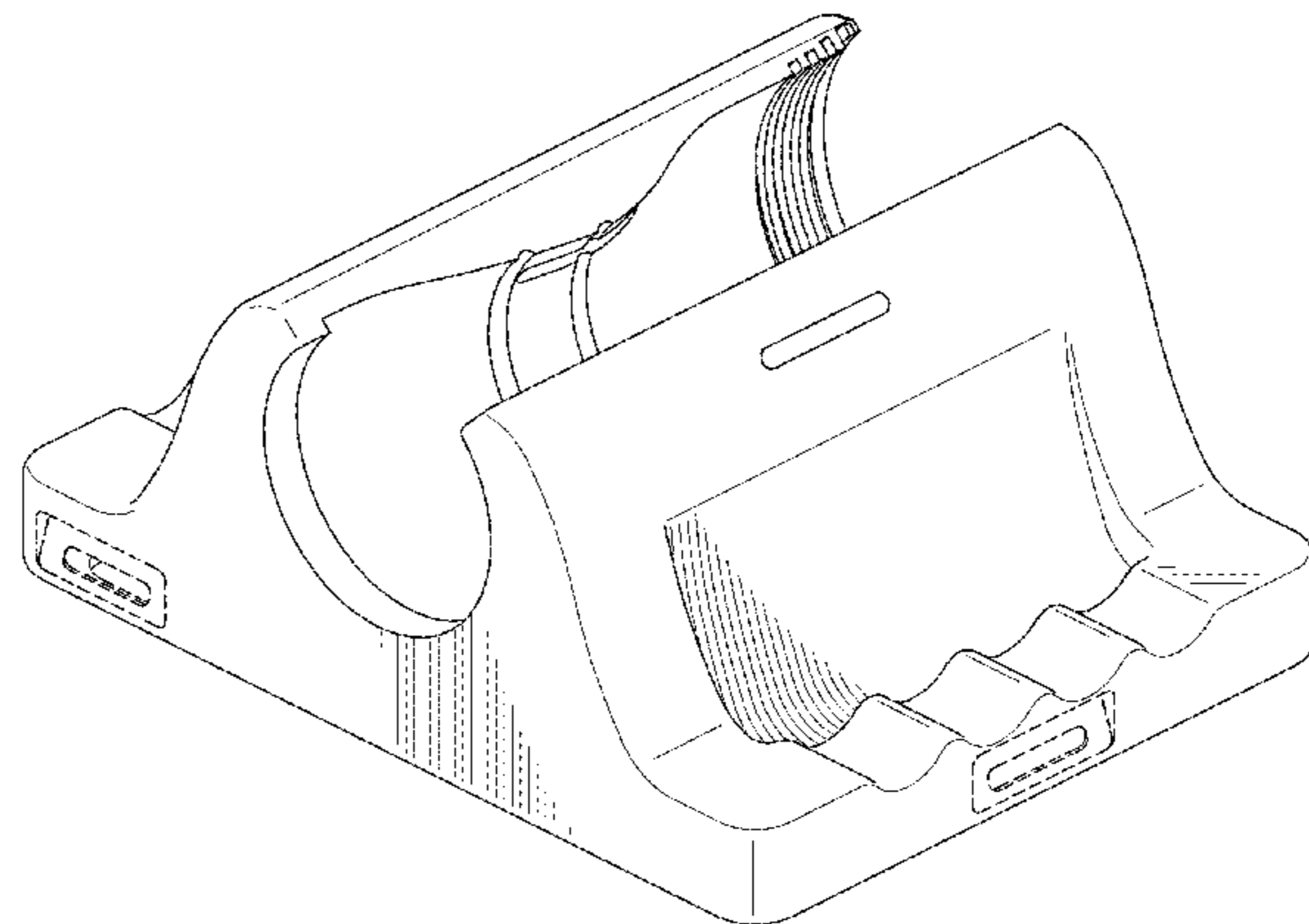
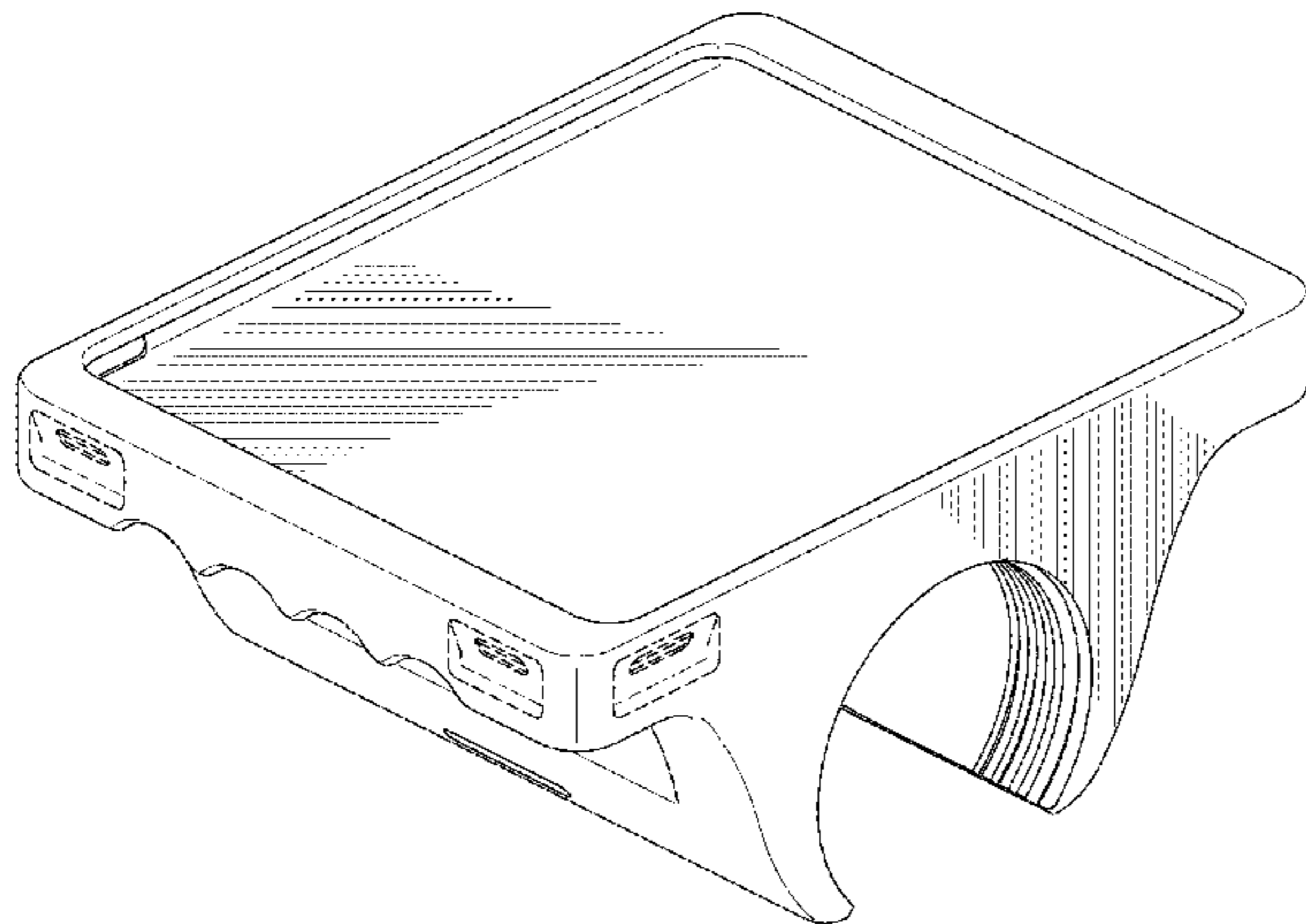
(57) **CLAIM**

The ornamental design for a tablet computer holder, as shown and described.

DESCRIPTION

FIG. 1 is a perspective view of a tablet computer holder showing my new design;
 FIG. 2 is a first perspective view of the bottom of the tablet computer holder;
 FIG. 3 is a second perspective view of the bottom of the tablet computer holder;
 FIG. 4 is a first side elevation view of the tablet computer holder;
 FIG. 5 is a second side elevation view of the tablet computer holder;
 FIG. 6 is third side elevation view of the tablet computer holder;
 FIG. 7 is a fourth side elevation view of the tablet computer holder;
 FIG. 8 is bottom elevation view of the tablet computer holder;
 FIG. 9 is a top elevation view of the tablet computer holder; and,
 FIG. 10 is a cross-sectional elevation view taken substantially along line 10-10 of FIG. 4.
 The portion of the tablet computer holder depicted in broken lines forms no part of the claimed design.

1 Claim, 10 Drawing Sheets



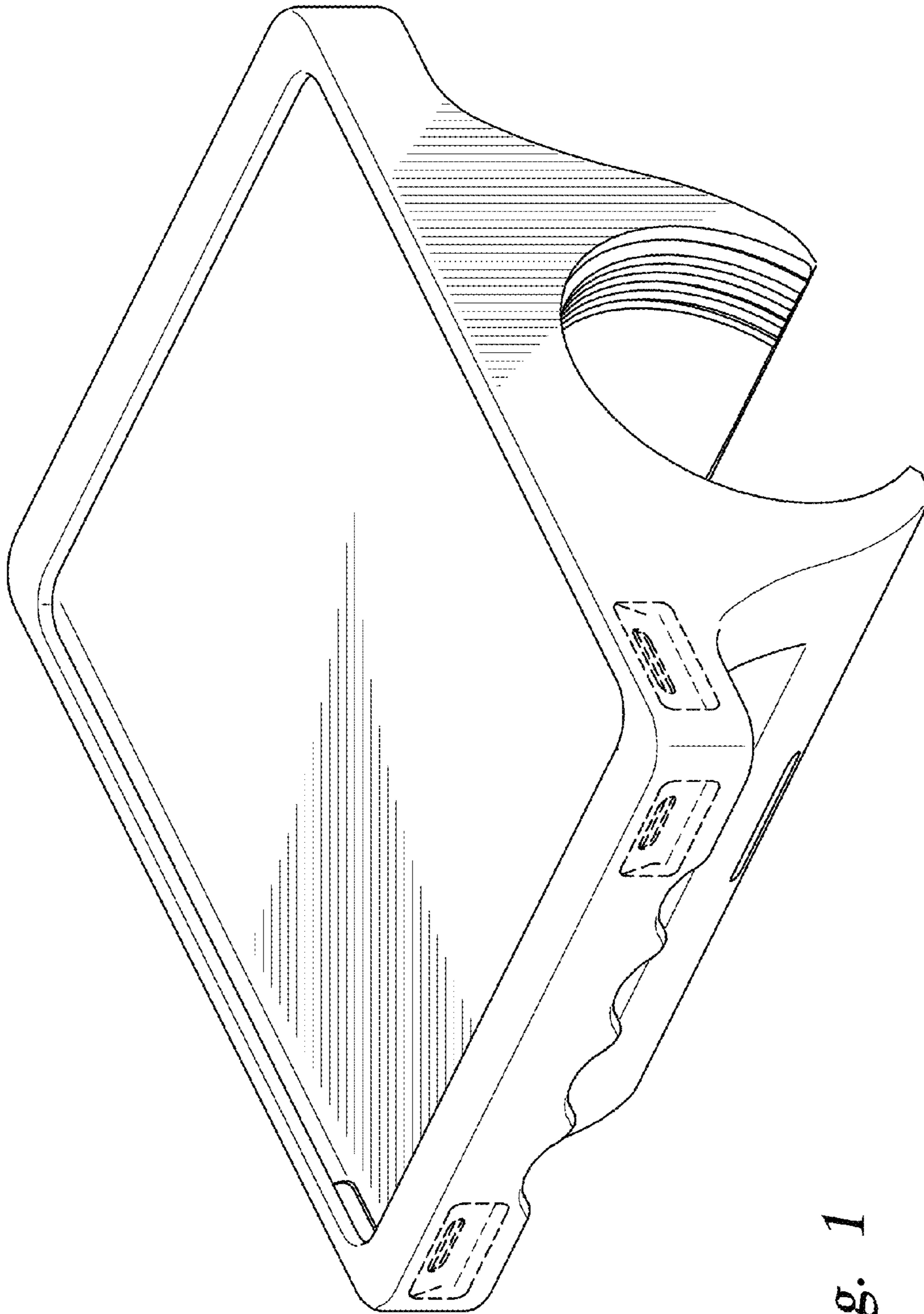


Fig. 1

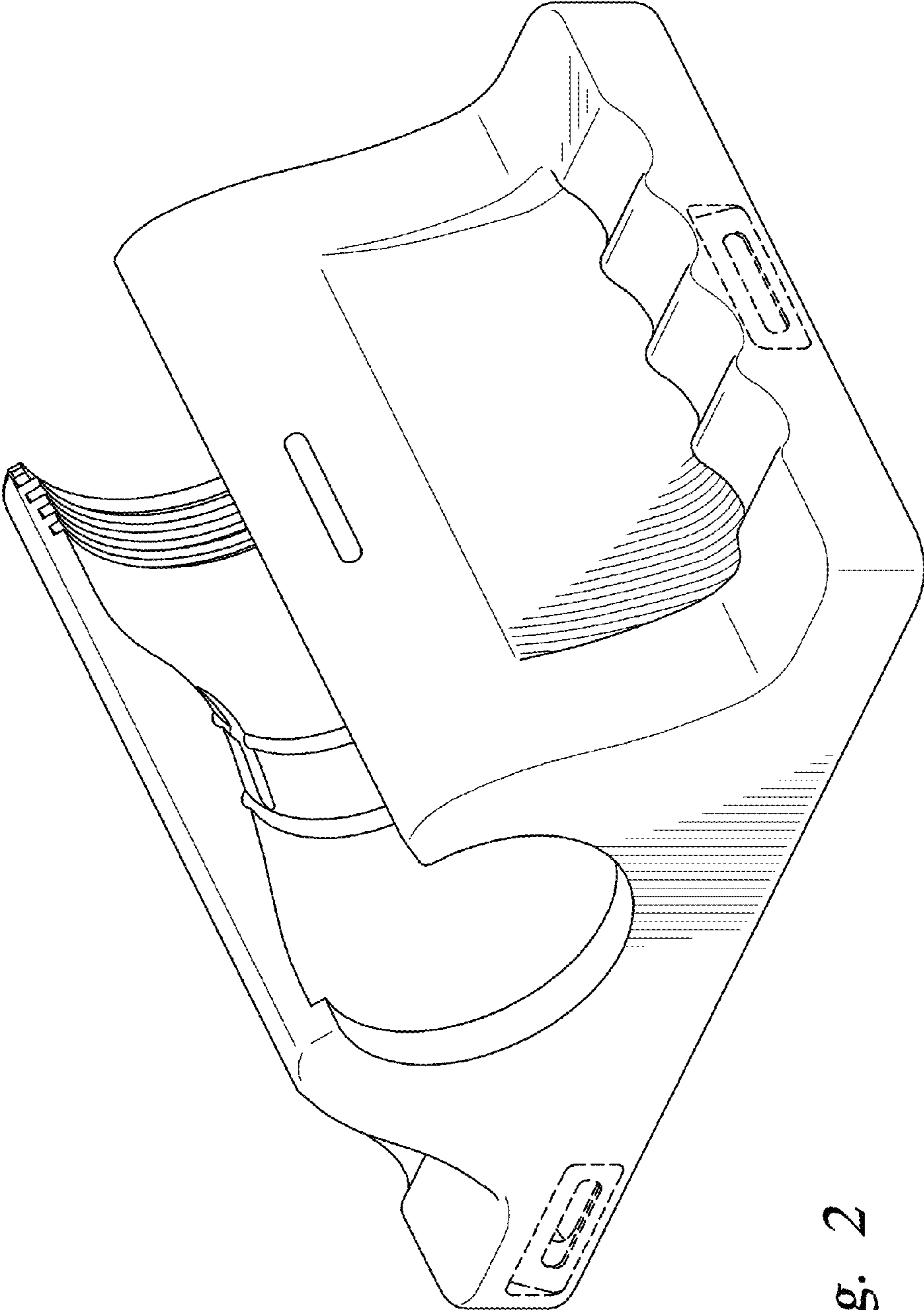


Fig. 2

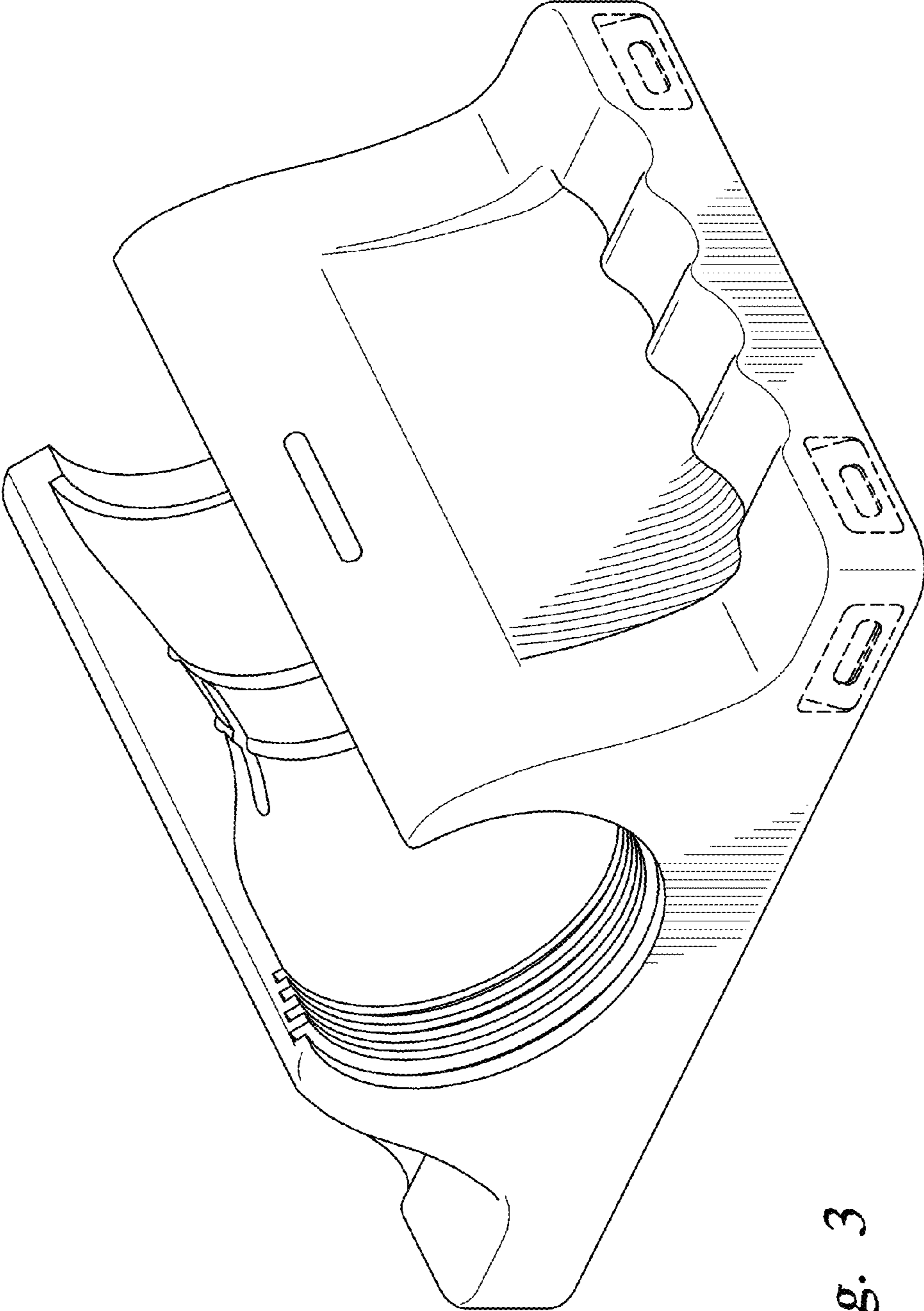


Fig. 3

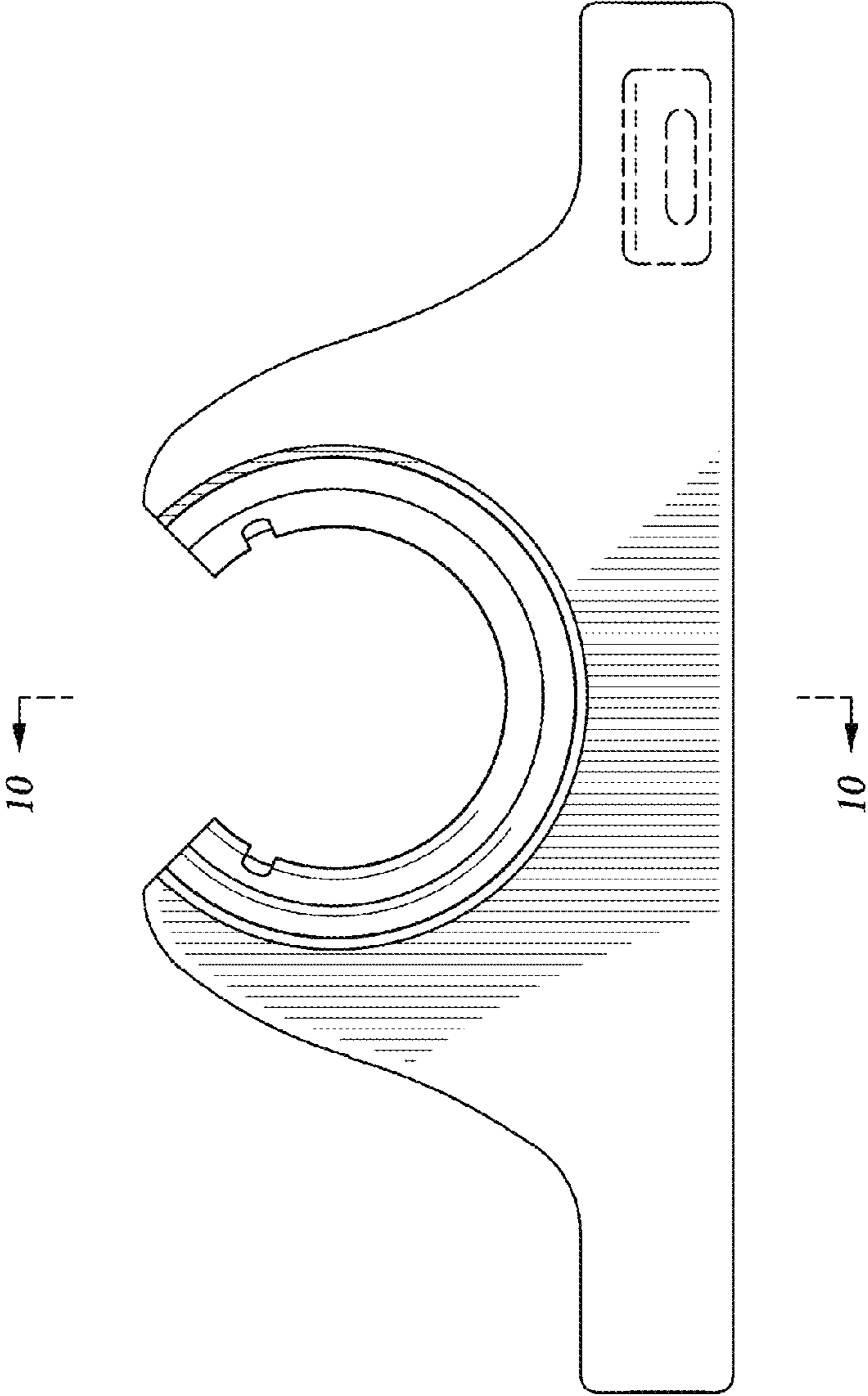


Fig. 4

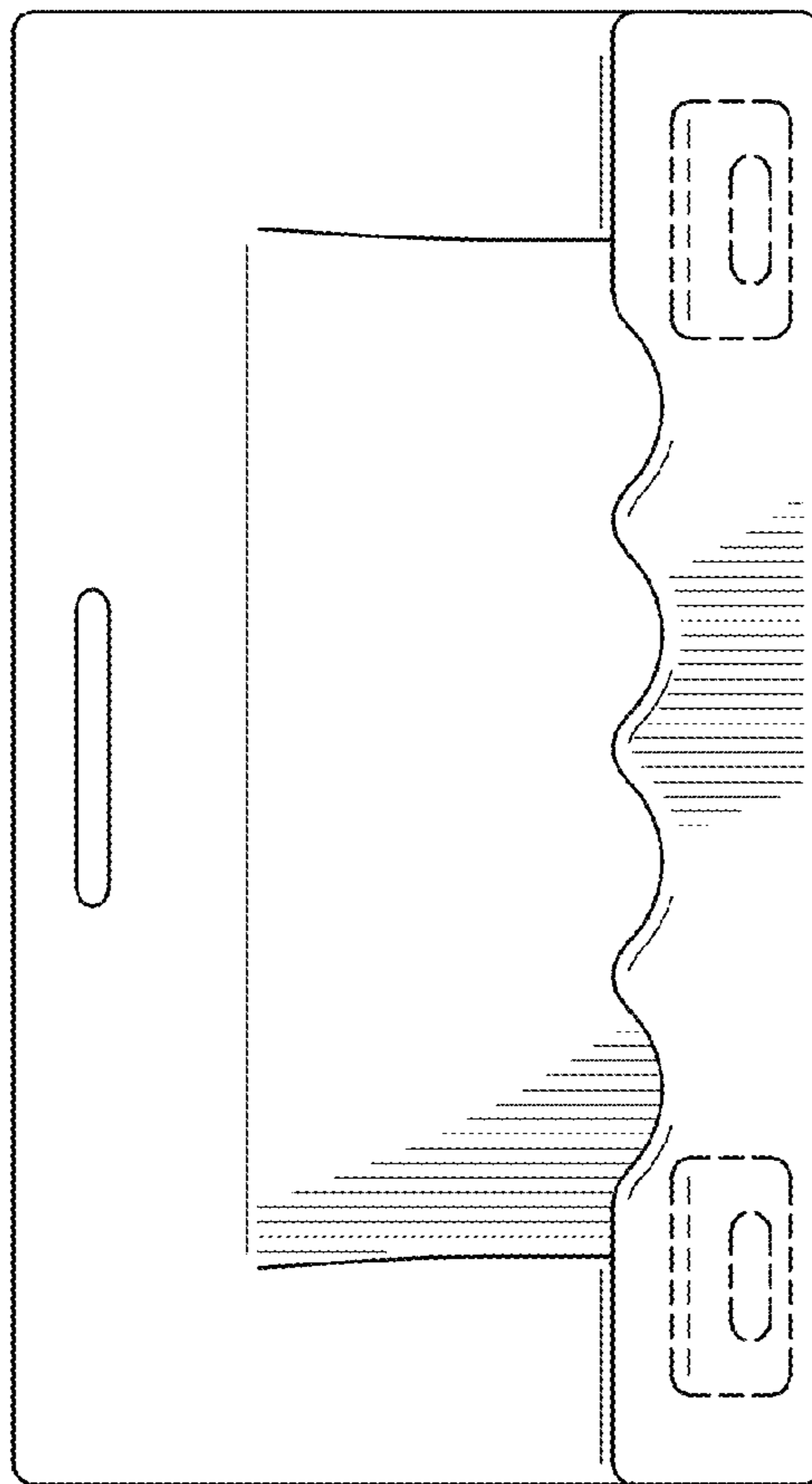


Fig. 5

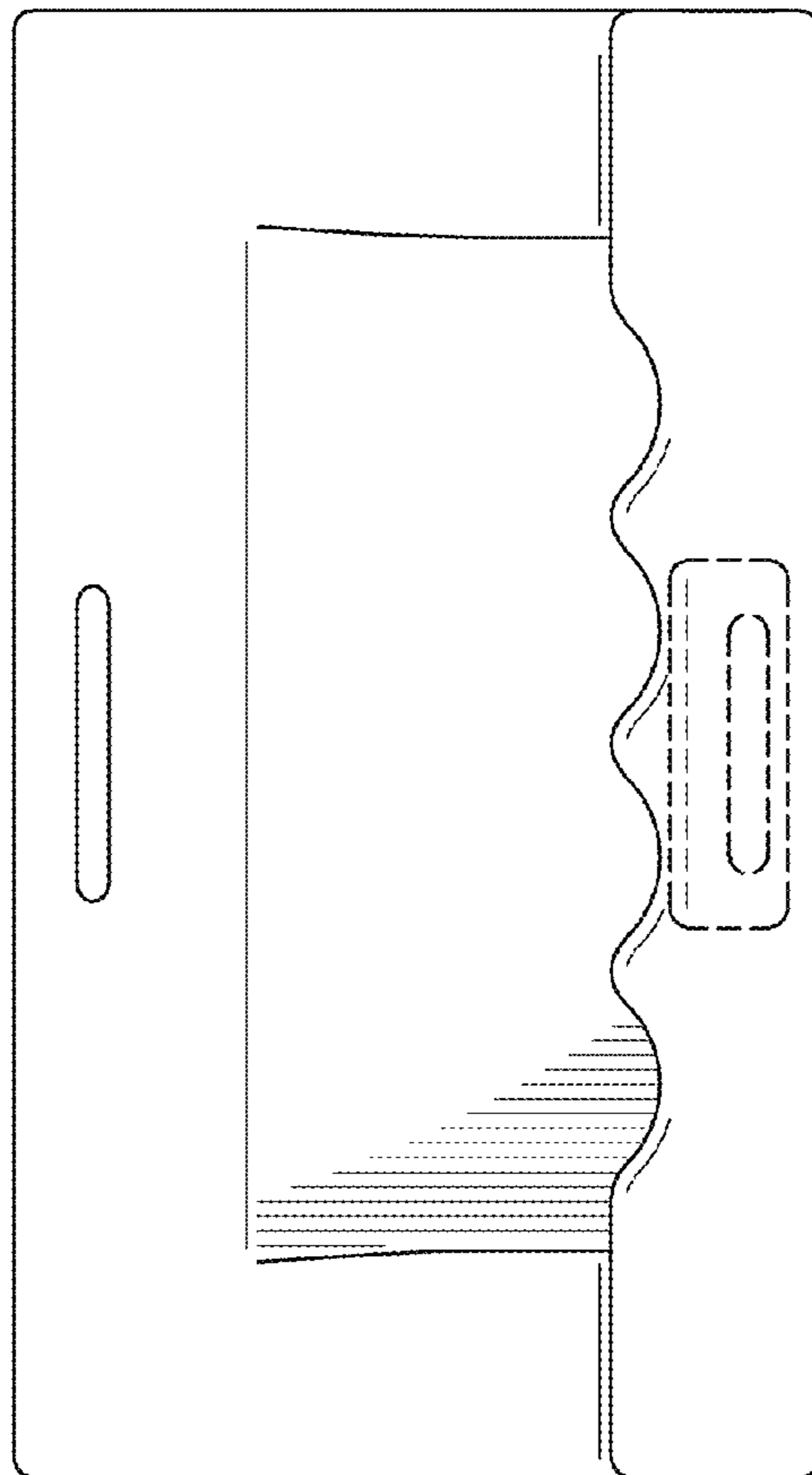


Fig. 6

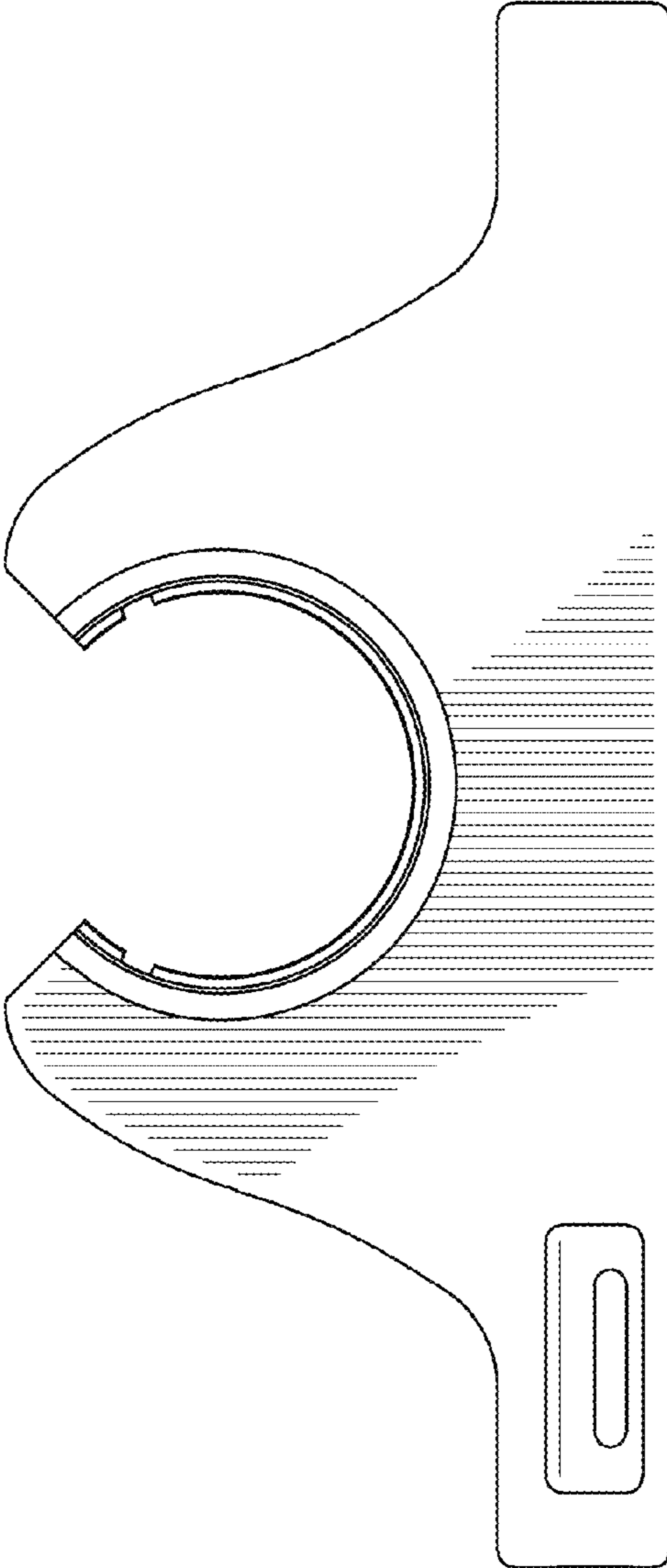


Fig. 7

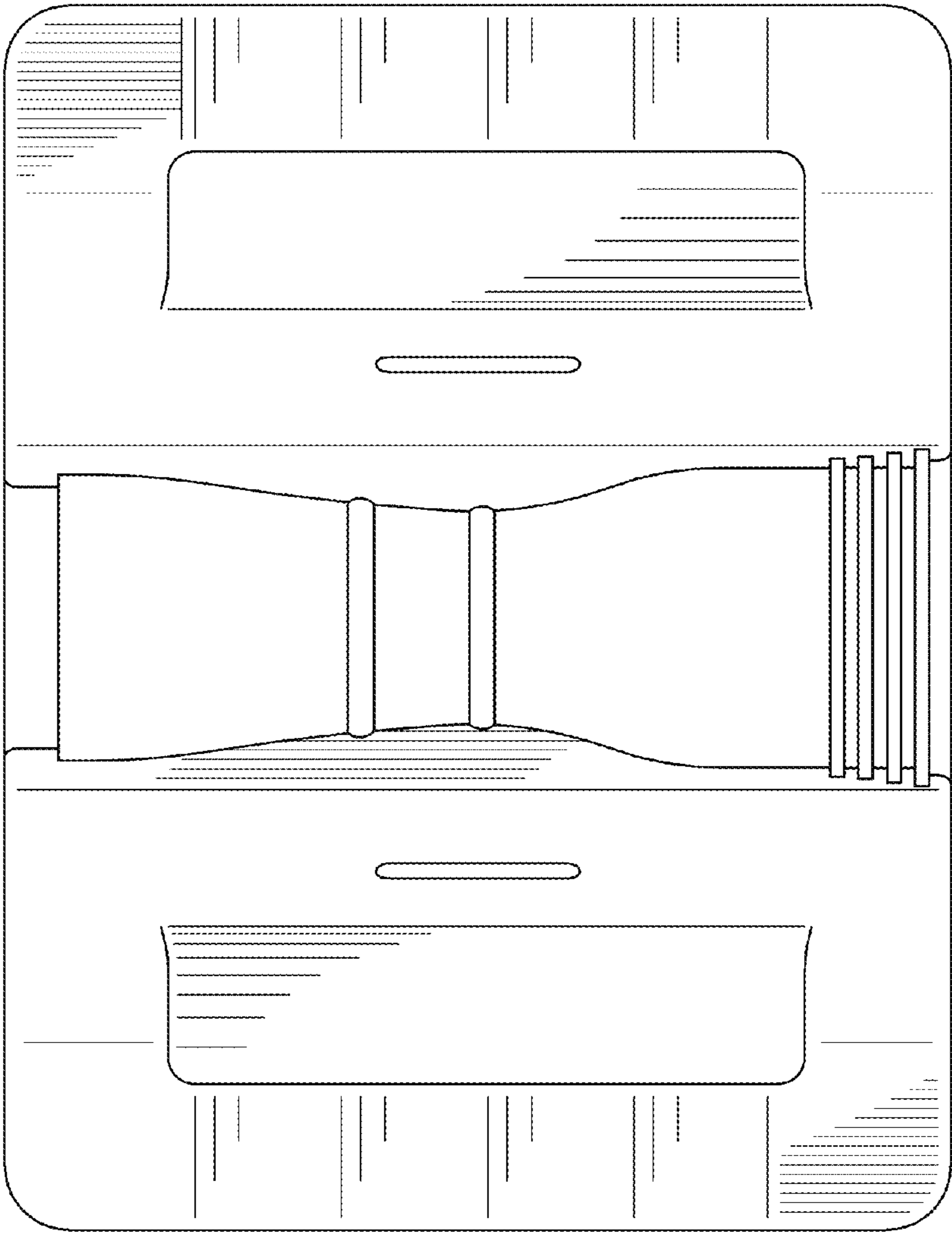


Fig. 8

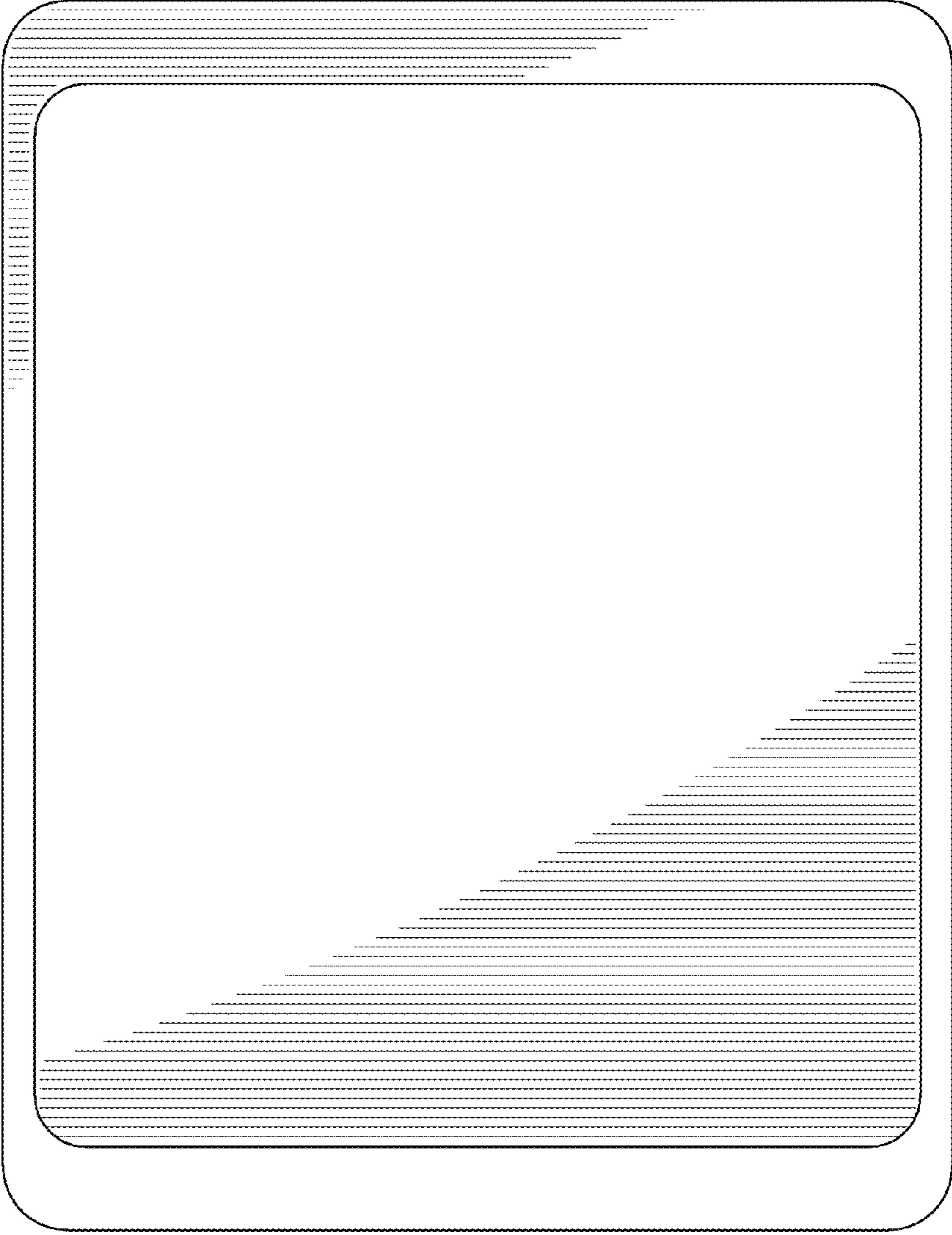


Fig. 9

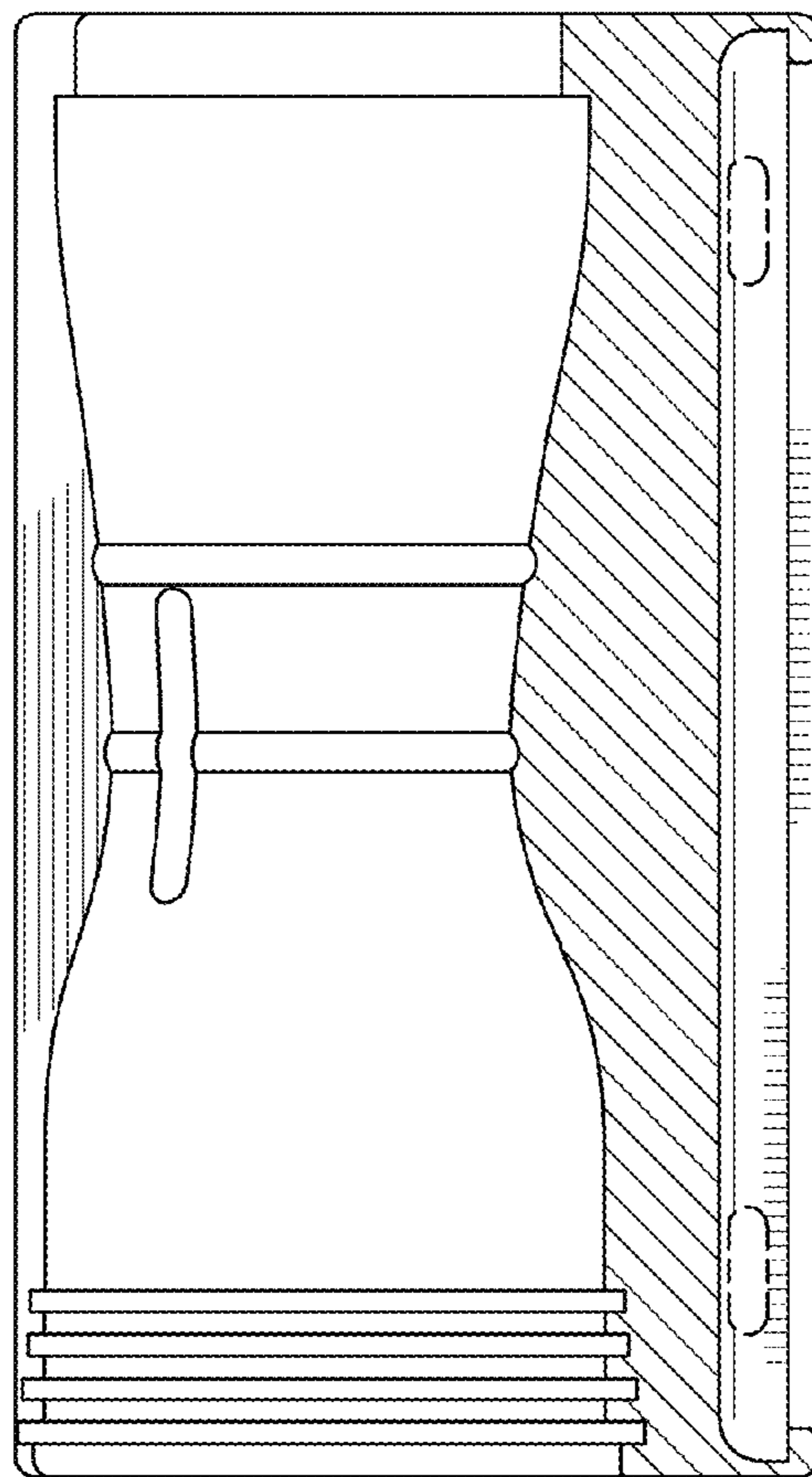


Fig. 10