



US00D706271S

(12) **United States Design Patent**
Gelsomini et al.

(10) **Patent No.:** **US D706,271 S**

(45) **Date of Patent:** **** Jun. 3, 2014**

(54) **TABLET CASE**

(71) Applicant: **Dundee Precious Metals Inc.**, Toronto (CA)

(72) Inventors: **Mark Gelsomini**, Richmond Hill (CA);
Richard Coulson, Markham (CA)

(73) Assignee: **Dundee Precious Metals Inc.**, Toronto (CA)

(**) Term: **14 Years**

(21) Appl. No.: **29/437,974**

(22) Filed: **Nov. 22, 2012**

(30) **Foreign Application Priority Data**

May 23, 2012 (CA) 145745

(51) **LOC (10) Cl.** **14-02**

(52) **U.S. Cl.**
USPC **D14/440**

(58) **Field of Classification Search**
USPC D14/250, 251, 253, 240, 217, 496, 440,
D14/203.3, 203.4, 203.5, 203.8, 341, 318;
D3/218, 215, 201; 220/4.02;
248/309.1; 361/679.56; 379/426,
379/433.11, 455; 455/575.1, 575.8;
190/100; 206/305, 320; D21/469
See application file for complete search history.

(56) **References Cited**

U.S. PATENT DOCUMENTS

D250,433 S * 11/1978 Malcolm D3/282
D358,328 S * 5/1995 Huerto et al. D9/435
6,772,879 B1 * 8/2004 Domotor 206/45.23
D551,847 S * 10/2007 Yeap et al. D3/201

D567,500 S * 4/2008 Kwak et al. D3/218
D571,757 S * 6/2008 Kesler et al. D14/137
7,542,052 B2 * 6/2009 Solomon et al. 345/659
D647,303 S * 10/2011 Mish et al. D3/294
D662,925 S * 7/2012 Mayberry et al. D14/250
D668,660 S * 10/2012 Norfolk D14/440
D689,851 S * 9/2013 Chang et al. D14/250
2006/0104021 A1 * 5/2006 Chen et al. 361/683
2010/0008028 A1 * 1/2010 Richardson et al. 361/679.01
2012/0275025 A1 * 11/2012 Parrill 359/511

* cited by examiner

Primary Examiner — Cynthia Underwood

(74) *Attorney, Agent, or Firm* — Gowling Lafleur
Henderson LLP

(57) **CLAIM**

The ornamental design for a tablet case, as shown and described.

DESCRIPTION

FIG. 1 is an isometric front view of a tablet case showing the new design;

FIG. 2 is a front view of the design of FIG. 1;

FIG. 3 is a back side view of the design of FIG. 1;

FIG. 4 is a right side view of the design of FIG. 1;

FIG. 5 is a left view of the design of FIG. 1;

FIG. 6 is a top view of the design of FIG. 1;

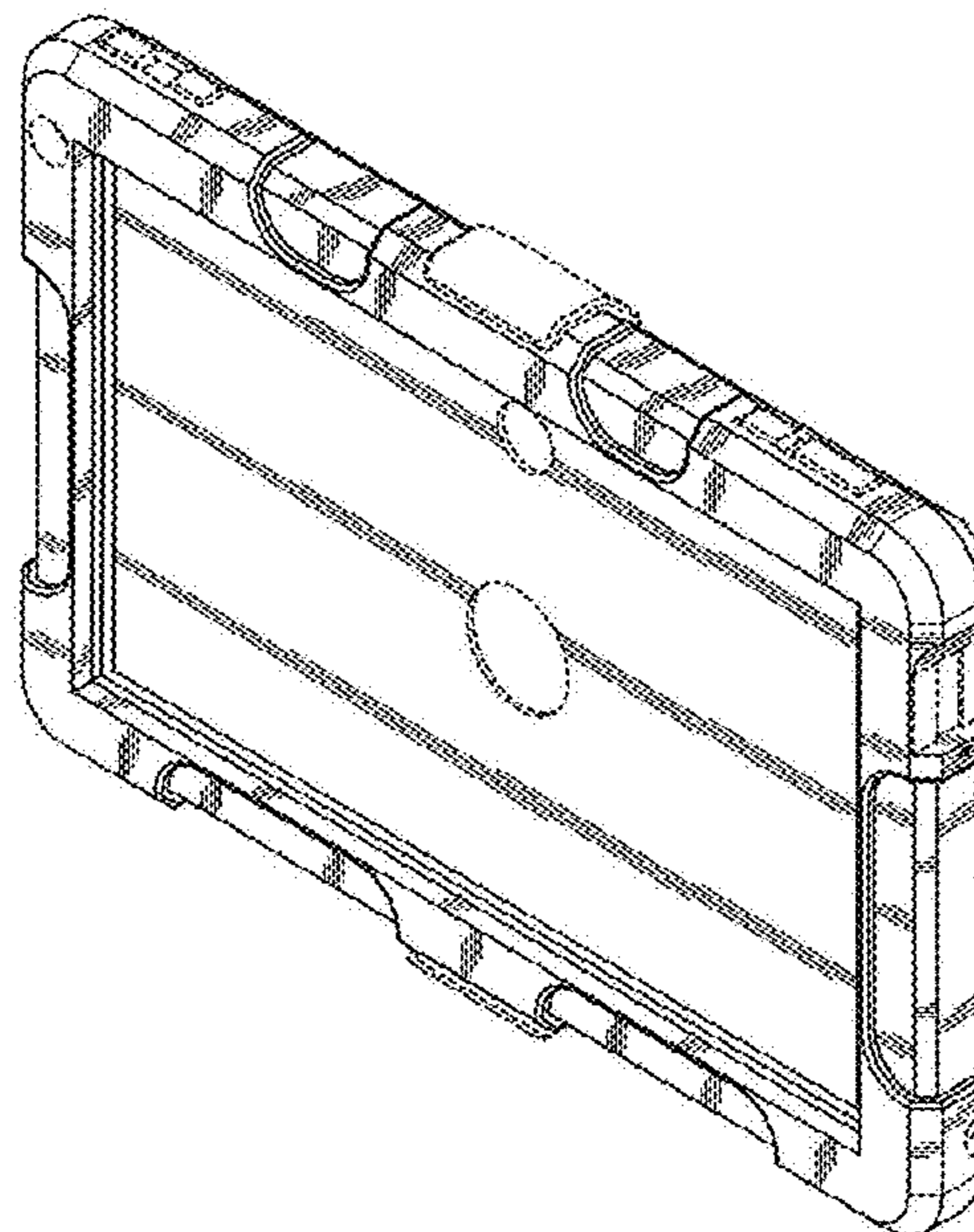
FIG. 7 is a bottom view of the design of FIG. 1;

FIG. 8 is an isometric back view of the design of FIG. 1; and,

FIG. 9 is an isometric front view of the design of FIG. 1 showing a tablet as additional environment.

The broken lines immediately adjacent the shaded surfaces represent boundaries of the claimed design. All other broken lines depict unclaimed environment. The broken lines and unshaded regions bounded by the broken lines form no part of the claimed design.

1 Claim, 9 Drawing Sheets



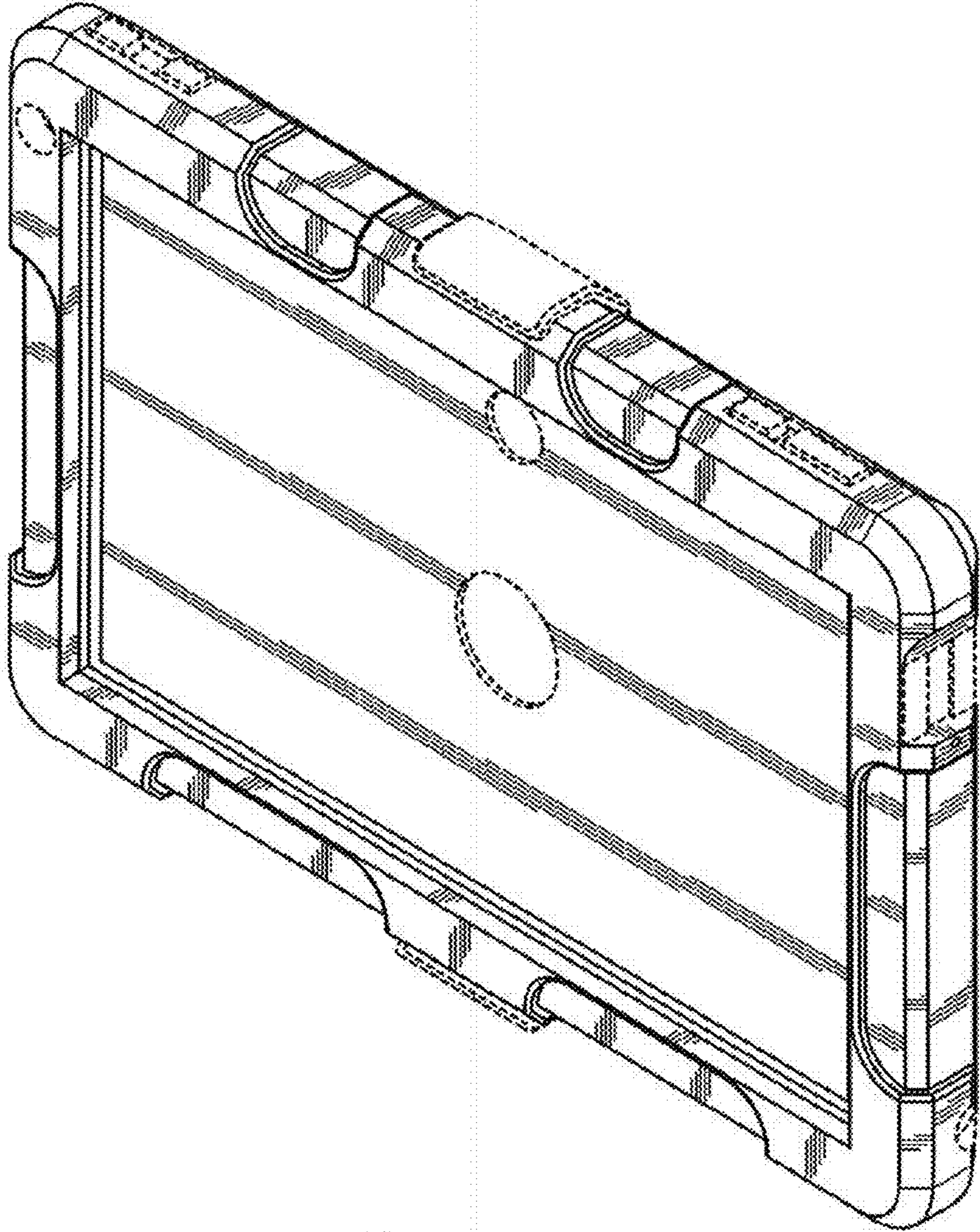


Figure 1

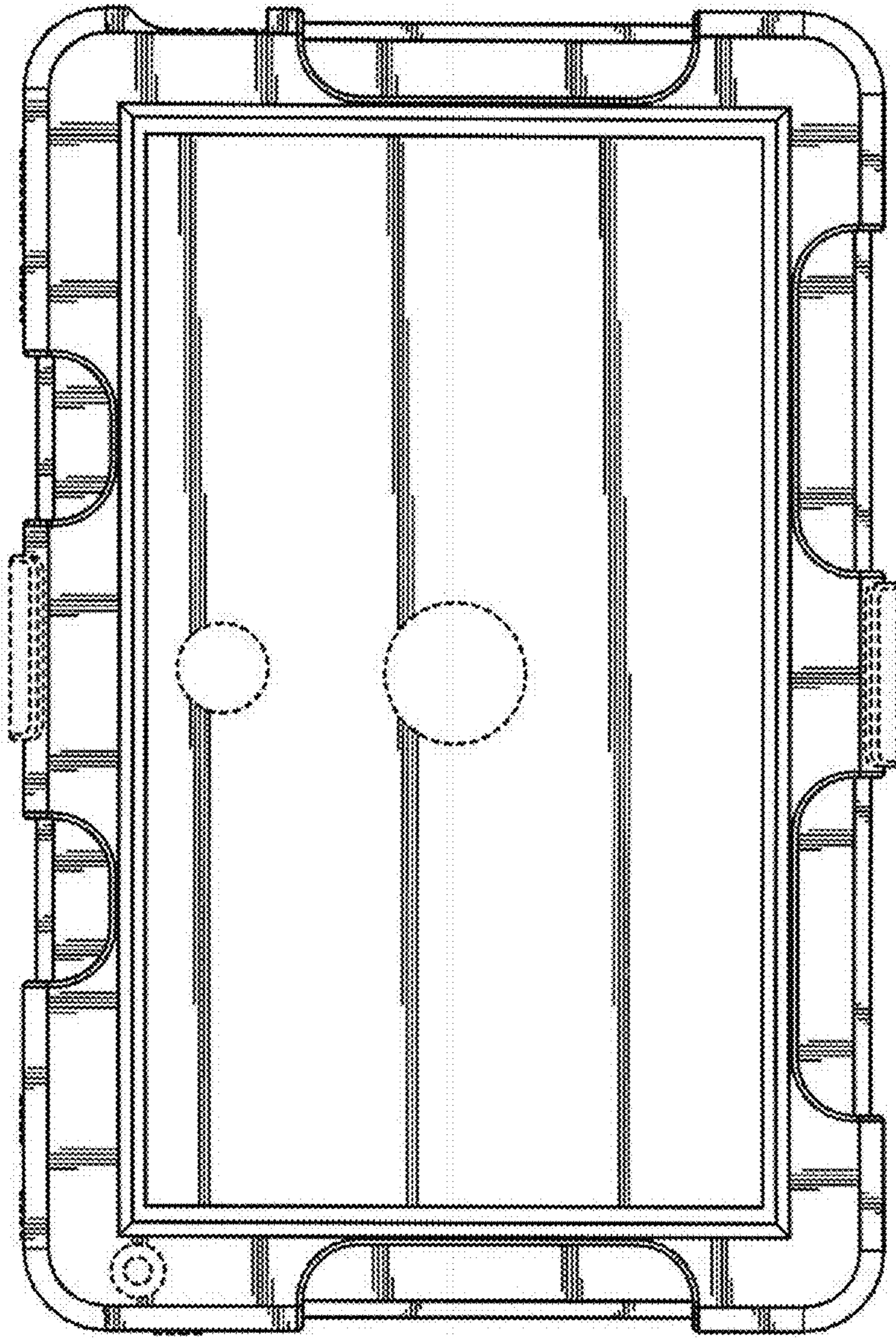


Figure 2

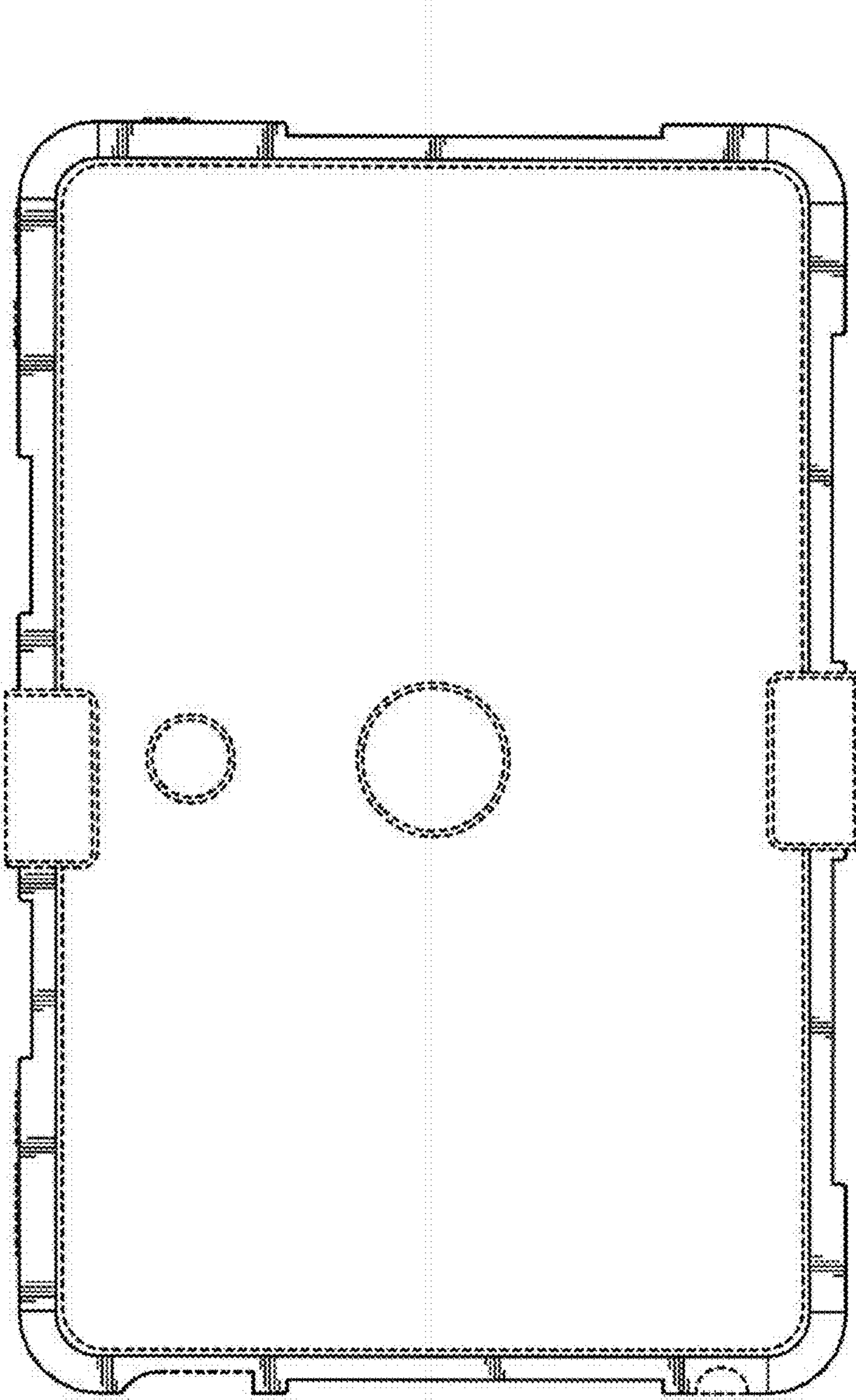


Figure 3

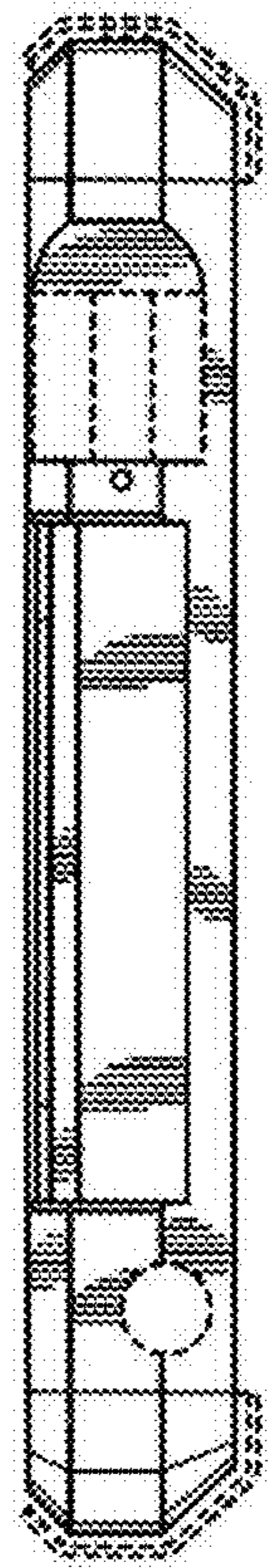


Figure 4

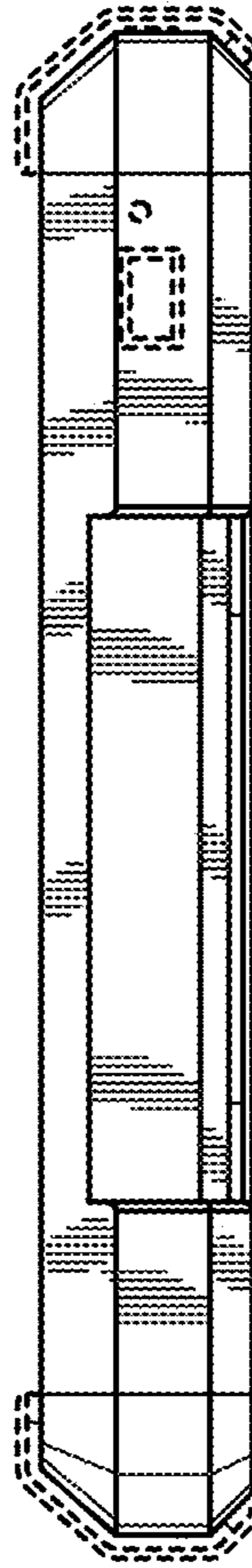


Figure 5

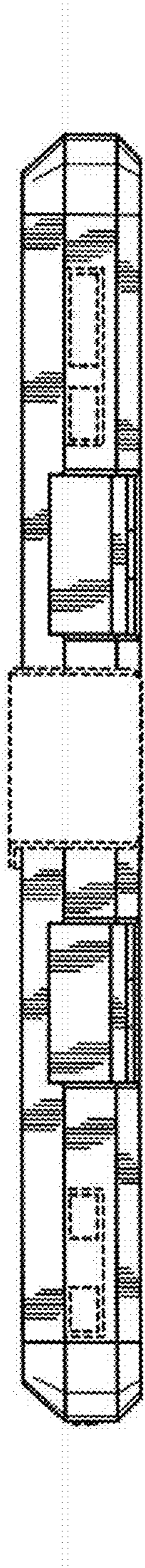


Figure 6

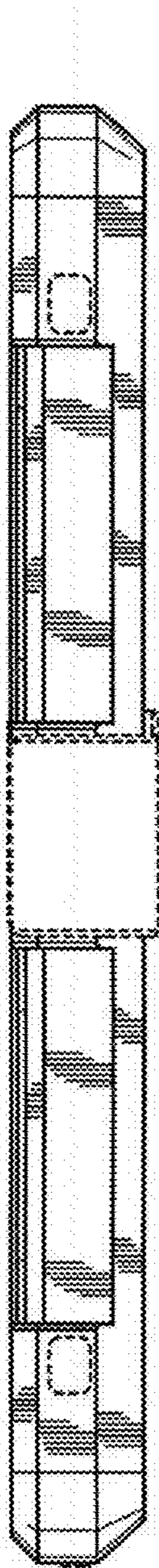


Figure 7

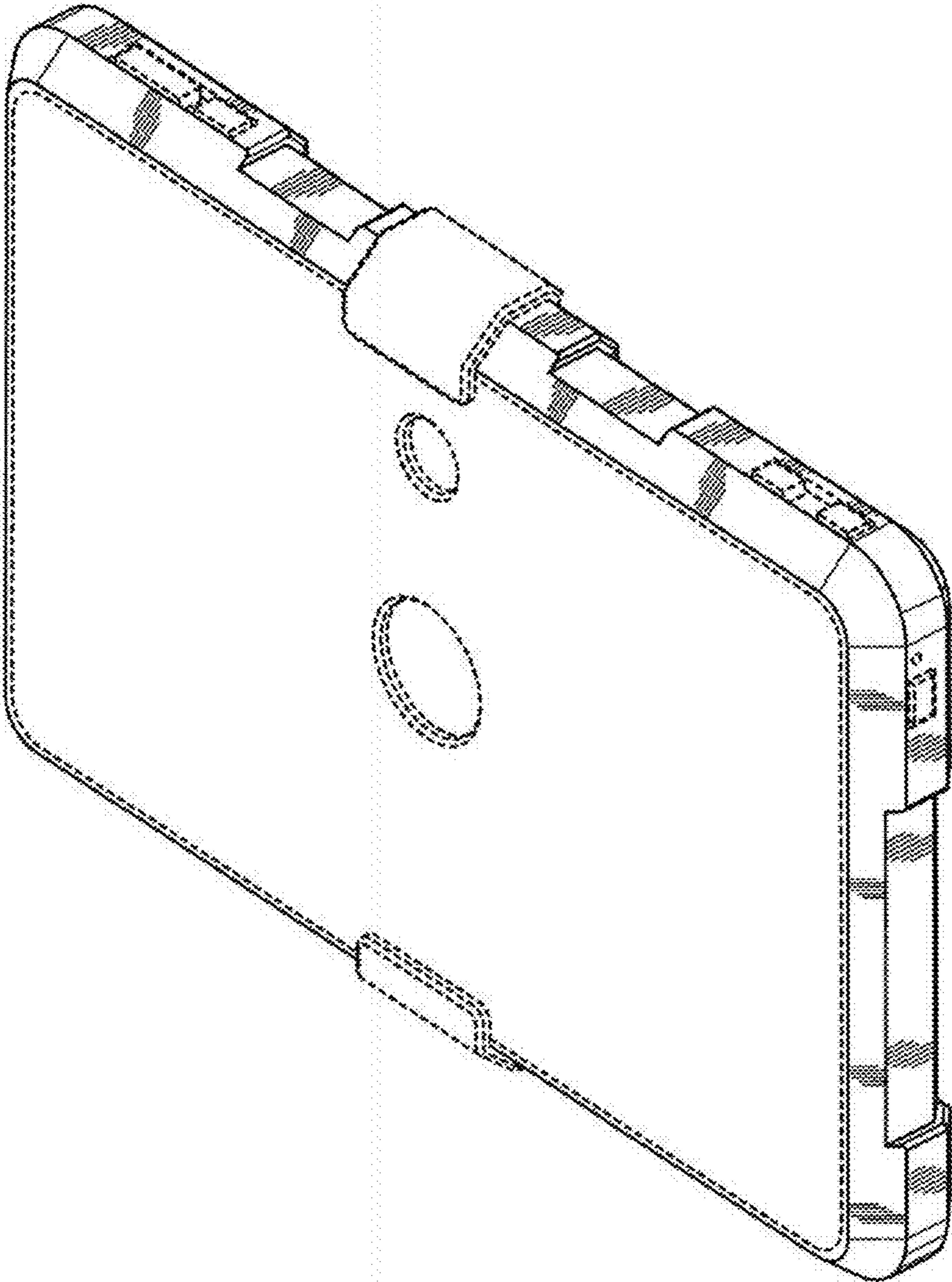


Figure 8

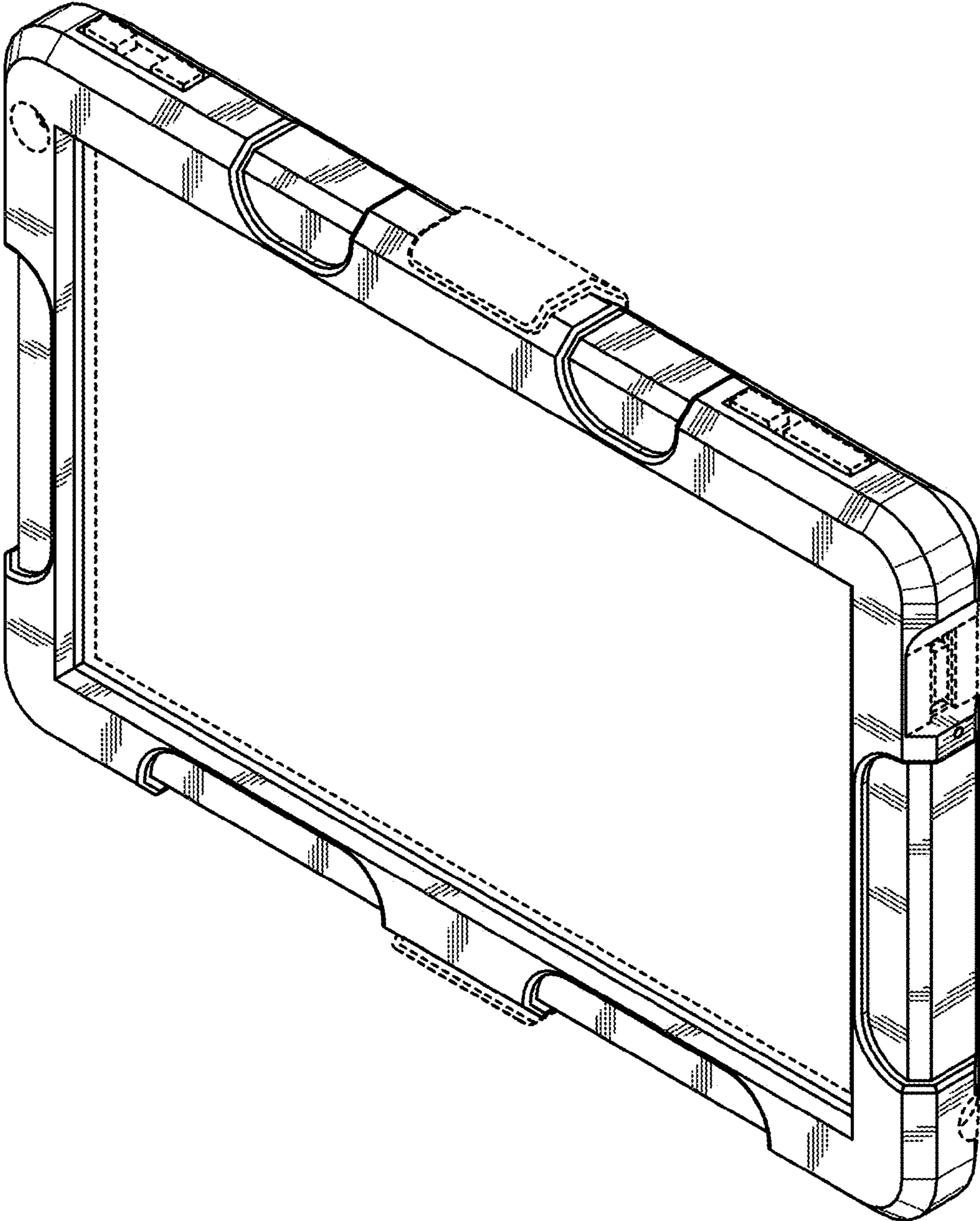


Figure 9