

US00D706269S

(12) **United States Design Patent**  
**Qian et al.**

(10) **Patent No.:** **US D706,269 S**  
(45) **Date of Patent:** **\*\* Jun. 3, 2014**

(54) **IMAGING DEVICE**

(56) **References Cited**

(71) Applicant: **Hewlett-Packard Development Company, L.P.**, Houston, TX (US)  
(72) Inventors: **Jijun Qian**, Shanghai (CN); **Chung Chiet Edwin Chin**, Singapore (SG); **Fei Nie**, Shanghai (CN); **Yu Ri Kim**, Singapore (SG); **Qin Li**, Shanghai (CN); **Su Nick**, Singapore (SG); **Jing Zhang**, Shanghai (CN)

U.S. PATENT DOCUMENTS

D186,474 S \* 10/1959 Robbins ..... D18/39  
D231,539 S \* 4/1974 MacConkey et al. .... D14/462  
D249,797 S \* 10/1978 Van Acker et al. .... D18/36  
D286,640 S \* 11/1986 Miyazaki ..... D18/54  
D293,578 S \* 1/1988 Matsumoto et al. .... D18/55  
D302,812 S \* 8/1989 Hiroki ..... D14/422  
4,904,100 A \* 2/1990 Enix ..... 400/613  
D317,014 S \* 5/1991 Oyamada et al. .... D18/54

(Continued)

(73) Assignee: **Hewlett-Packard Development Company, L.P.**, Houston, TX (US)

OTHER PUBLICATIONS

“HP 6988 Deskjet Features and Technical Guide”, <http://reviews.printcountry.com/HP6988DeskJetPrinter10136.html>; Photograph of printer that was sold more than one year prior to the filing date of this application; 3 pages.

(Continued)

(\*\*) Term: **14 Years**

*Primary Examiner* — Susan Moon Lee

(21) Appl. No.: **29/439,632**

(22) Filed: **Dec. 13, 2012**

(51) **LOC (10) Cl.** ..... **14-02**

(57) **CLAIM**

(52) **U.S. Cl.**  
USPC ..... **D14/422**

The ornamental design for an imaging device, as shown and described herein.

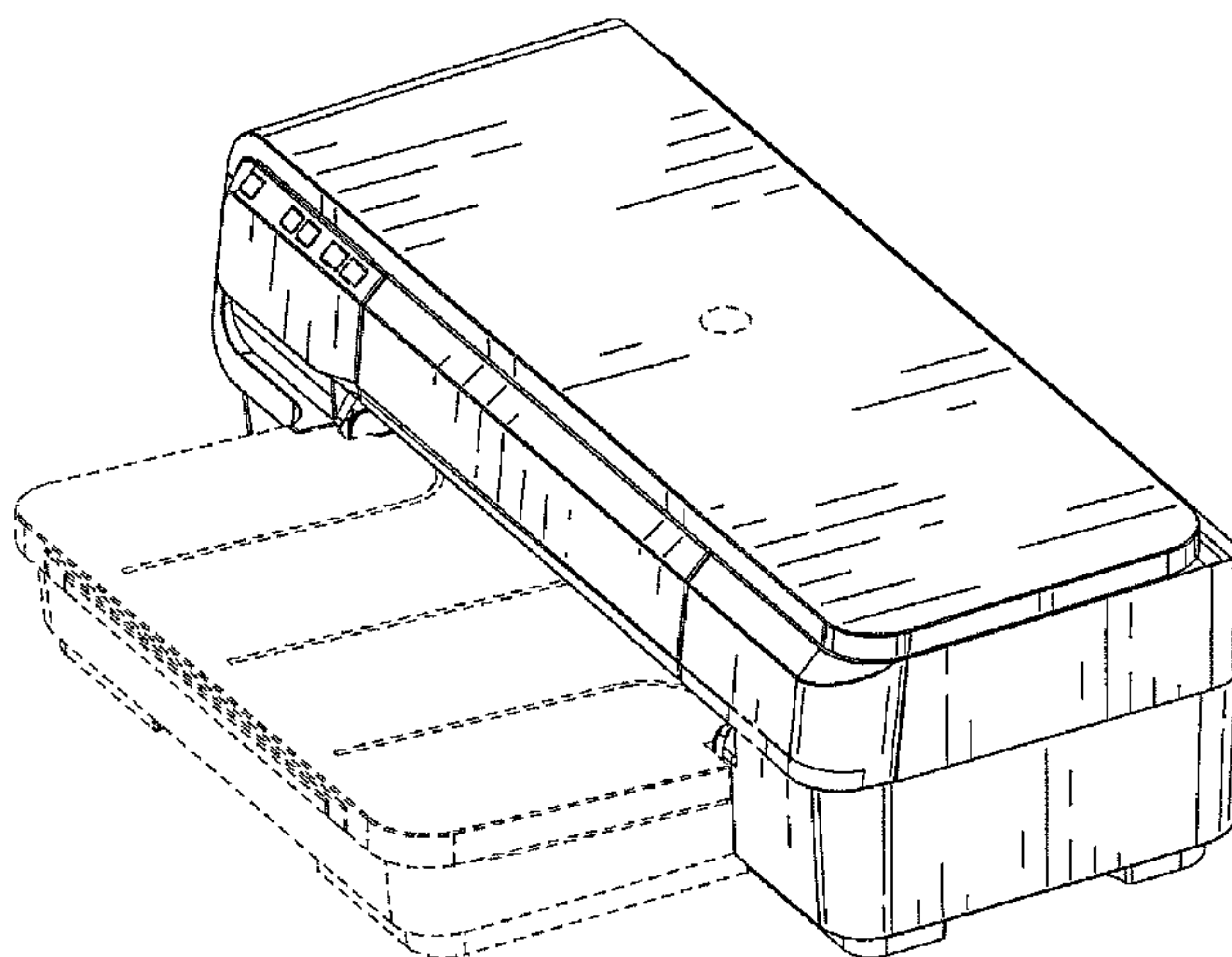
(58) **Field of Classification Search**  
USPC ..... D14/420, 422, 425, 462–470, 424, 389, D14/125, 399; D18/54, 55, 50, 53, 36–39, D18/14, 18–21, 49, 46, 52, 56, 51, 54.4; D13/164, 168; 358/400, 401, 448, 474, 358/486–488, 496, 497, 494, 473, 302, 468, 358/498; 382/312, 317, 321, 315; 400/613, 400/613.1–613.4, 690.1–690.4, 691–694, 400/88, 175; 399/107, 379, 380, 211, 212; 235/462.11, 462.41, 472.01, 470, 235/462.43; 361/680, 681; 378/177, 187, 378/188; 101/93.4, 269; 355/78; D24/165, D24/169, 186; 600/502, 503, 499, 494, 490, 600/485, 500, 492, 480, 493, 495, 479; 128/900; 16/286; 347/104, 109, 5; 271/186, 225, 126, 121, 137, 138

**DESCRIPTION**

FIG. 1 is a first front perspective view of an imaging device; FIG. 2 is a second front perspective view thereof; FIG. 3 is a first rear perspective view thereof; FIG. 4 is a second rear perspective view thereof; FIG. 5 is a front elevation view thereof; FIG. 6 is a rear elevation view thereof; FIG. 7 is a first side elevation view thereof; FIG. 8 is a second side elevation view thereof; FIG. 9 is a top plan view thereof; and, FIG. 10 is a bottom plan view thereof. Broken lines and unshaded portions contained within broken lines are not claimed.

See application file for complete search history.

**1 Claim, 8 Drawing Sheets**



(56)

## References Cited

## U.S. PATENT DOCUMENTS

- D321,898 S \* 11/1991 Kasee et al. .... D18/55  
 5,106,220 A \* 4/1992 Ricca et al. .... 400/693  
 D329,862 S \* 9/1992 Watanabe et al. .... D16/208  
 D330,721 S \* 11/1992 Yoshihara ..... D18/50  
 5,236,265 A \* 8/1993 Saito et al. .... 400/88  
 D339,372 S \* 9/1993 Kando ..... D18/50  
 D339,576 S \* 9/1993 Sawada et al. .... D14/462  
 D340,065 S \* 10/1993 Fukuda ..... D18/50  
 D343,637 S \* 1/1994 Umino et al. .... D18/55  
 D345,353 S \* 3/1994 Dietrich ..... D14/462  
 5,302,034 A \* 4/1994 Kitazawa ..... 400/615.2  
 D352,057 S \* 11/1994 Tashiro ..... D18/50  
 D352,731 S \* 11/1994 Sugimoto ..... D18/50  
 D356,098 S \* 3/1995 Tamura ..... D16/202  
 5,423,529 A \* 6/1995 Saito et al. .... 271/127  
 D361,084 S \* 8/1995 Yamanaka et al. .... D18/50  
 D361,554 S \* 8/1995 Mochizuki et al. .... D14/422  
 D362,267 S \* 9/1995 Yamanaka et al. .... D18/50  
 D364,639 S \* 11/1995 Tashiro ..... D18/50  
 D366,900 S \* 2/1996 Pangburn et al. .... D18/50  
 D368,255 S \* 3/1996 Sasaki et al. .... D14/420  
 5,531,431 A \* 7/1996 Saito et al. .... 271/4.01  
 D374,888 S \* 10/1996 Udagawa ..... D18/50  
 D384,945 S \* 10/1997 Takada et al. .... D14/420  
 D409,233 S \* 5/1999 Kondo ..... D18/54  
 D409,234 S \* 5/1999 Inoue et al. .... D18/54  
 D413,919 S \* 9/1999 Kobayashi et al. .... D18/54  
 D415,128 S \* 10/1999 Kitera ..... D14/422  
 D424,102 S \* 5/2000 Igarashi ..... D18/54  
 D428,623 S \* 7/2000 Igarashi ..... D18/54  
 D440,246 S \* 4/2001 Yin ..... D18/50  
 D441,012 S \* 4/2001 Kawahara et al. .... D18/55  
 D442,218 S \* 5/2001 Kobayashi et al. .... D18/55  
 D443,889 S \* 6/2001 Yamano et al. .... D18/50  
 6,250,827 B1 \* 6/2001 Nojima et al. .... 400/691  
 6,382,761 B1 \* 5/2002 Asano et al. .... 347/19  
 6,382,858 B1 \* 5/2002 Nojima et al. .... 400/691  
 D459,389 S \* 6/2002 Kaseno ..... D18/50  
 D462,087 S \* 8/2002 Dwyer et al. .... D18/55  
 D466,921 S \* 12/2002 Senshiki ..... D18/54  
 D466,923 S \* 12/2002 Dwyer et al. .... D18/55  
 D466,924 S \* 12/2002 Wong et al. .... D18/55  
 6,507,408 B2 \* 1/2003 Iwasaki et al. .... 358/1.15  
 D474,499 S \* 5/2003 Isono ..... D18/50  
 D486,178 S \* 2/2004 Wong et al. .... D18/55  
 D490,845 S \* 6/2004 Fukushima ..... D18/50  
 D499,444 S \* 12/2004 Hwang ..... D18/50  
 6,969,169 B2 \* 11/2005 Tanaami et al. .... 347/108  
 D516,620 S \* 3/2006 Wong ..... D18/55  
 D516,623 S \* 3/2006 Lee et al.  
 D518,093 S \* 3/2006 de Salis et al. .... D18/55  
 7,029,113 B2 \* 4/2006 Hwang ..... 347/108  
 D524,851 S \* 7/2006 Wong et al. .... D18/55  
 D525,295 S \* 7/2006 Suzuki et al. .... D18/55  
 D536,731 S \* 2/2007 Tate et al. .... D18/50  
 D537,477 S \* 2/2007 Lim et al.  
 D539,840 S \* 4/2007 Whittall et al.  
 D544,907 S \* 6/2007 Tjin Wong Joe et al. .... D18/55  
 D545,354 S \* 6/2007 Whittall et al. .... D18/50  
 D554,699 S \* 11/2007 Tate et al.  
 D563,413 S \* 3/2008 Kuroda et al. .... D14/422  
 7,350,914 B2 \* 4/2008 Tanaami et al. .... 347/108  
 D576,670 S \* 9/2008 Sumi ..... D18/50  
 D579,489 S \* 10/2008 Kanno et al. .... D18/50  
 D579,938 S \* 11/2008 Romanoff et al. .... D14/422  
 D579,972 S \* 11/2008 Meda et al. .... D18/50  
 D597,572 S \* 8/2009 Tsai ..... D15/146  
 D609,237 S \* 2/2010 Romanoff et al. .... D14/422  
 D620,492 S \* 7/2010 Tang et al. .... D14/422  
 D624,544 S \* 9/2010 Kuroda et al. .... D14/422  
 D624,545 S \* 9/2010 Kuroda et al. .... D14/422  
 D624,546 S \* 9/2010 Kuroda et al. .... D14/422  
 D624,547 S \* 9/2010 Kuroda et al. .... D14/422  
 7,854,504 B2 \* 12/2010 Silverbrook ..... 347/109  
 D631,479 S \* 1/2011 Komuro et al. .... D14/422  
 D636,776 S \* 4/2011 Kuroda et al. .... D14/422  
 D638,018 S \* 5/2011 Kuroda et al. .... D14/422  
 D644,265 S \* 8/2011 Inada et al. .... D18/50  
 D648,378 S \* 11/2011 Ishikawa et al. .... D18/50  
 D648,782 S \* 11/2011 Dwyer et al. .... D18/50  
 D652,445 S \* 1/2012 Burton et al. .... D18/50  
 D656,182 S \* 3/2012 Inada et al. .... D18/50  
 D667,051 S \* 9/2012 Sato ..... D18/50  
 D675,673 S \* 2/2013 Sato ..... D18/50  
 D675,674 S \* 2/2013 Sato ..... D18/50  
 D678,402 S \* 3/2013 Sato ..... D18/50  
 D682,834 S \* 5/2013 Ishikawa et al. .... D14/422  
 D689,868 S \* 9/2013 Ishikawa et al. .... D14/422  
 D699,726 S \* 2/2014 Seki et al. .... D14/422  
 2004/0004642 A1 \* 1/2004 Koike et al. .... 347/5  
 2004/0067089 A1 \* 4/2004 Tanaami et al. .... 400/693

## OTHER PUBLICATIONS

“HP Officejet 6000 Wireless Printer”, <http://www.pcmag.com/article2/0,2817,2350958,00.asp>; Photograph of printer that was sold more than one year prior to the filing date of this application; 6 pages.  
 “HP Officejet Pro 8000”, <http://www.gadgetsee.com/hp-officejet-pro-8000/hp-officejet-pro-8000-6/>; Photograph of printer that was sold more than one year prior to the filing date of this application; 5 pages.  
 “Kodak All in One Printer—Best Bargain”, <http://www.kodakprinter.org/kodak-all-in-one-printer/>; Photograph of printer that was sold more than one year prior to the filing date of this application; 4 pages.

\* cited by examiner



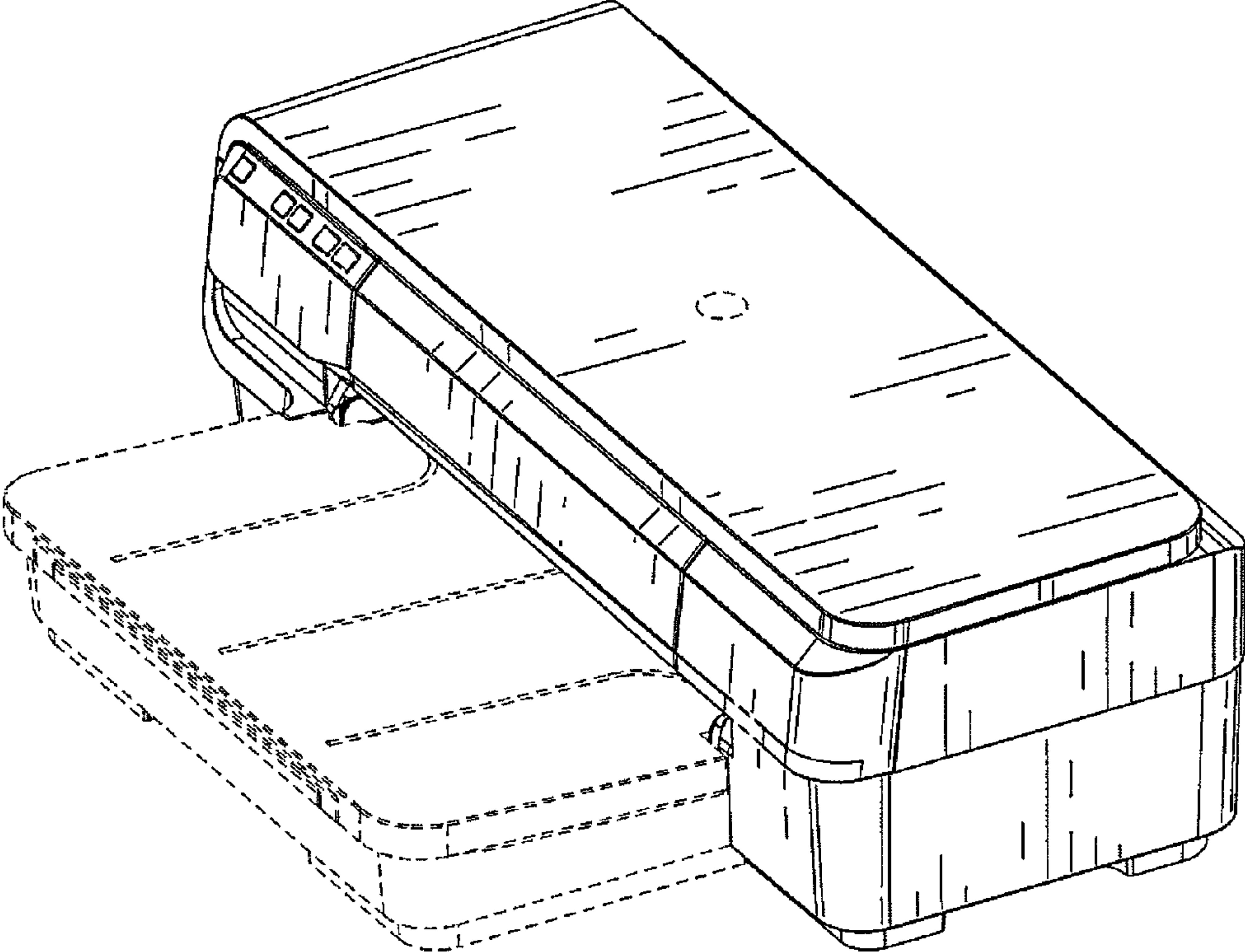


FIG. 1

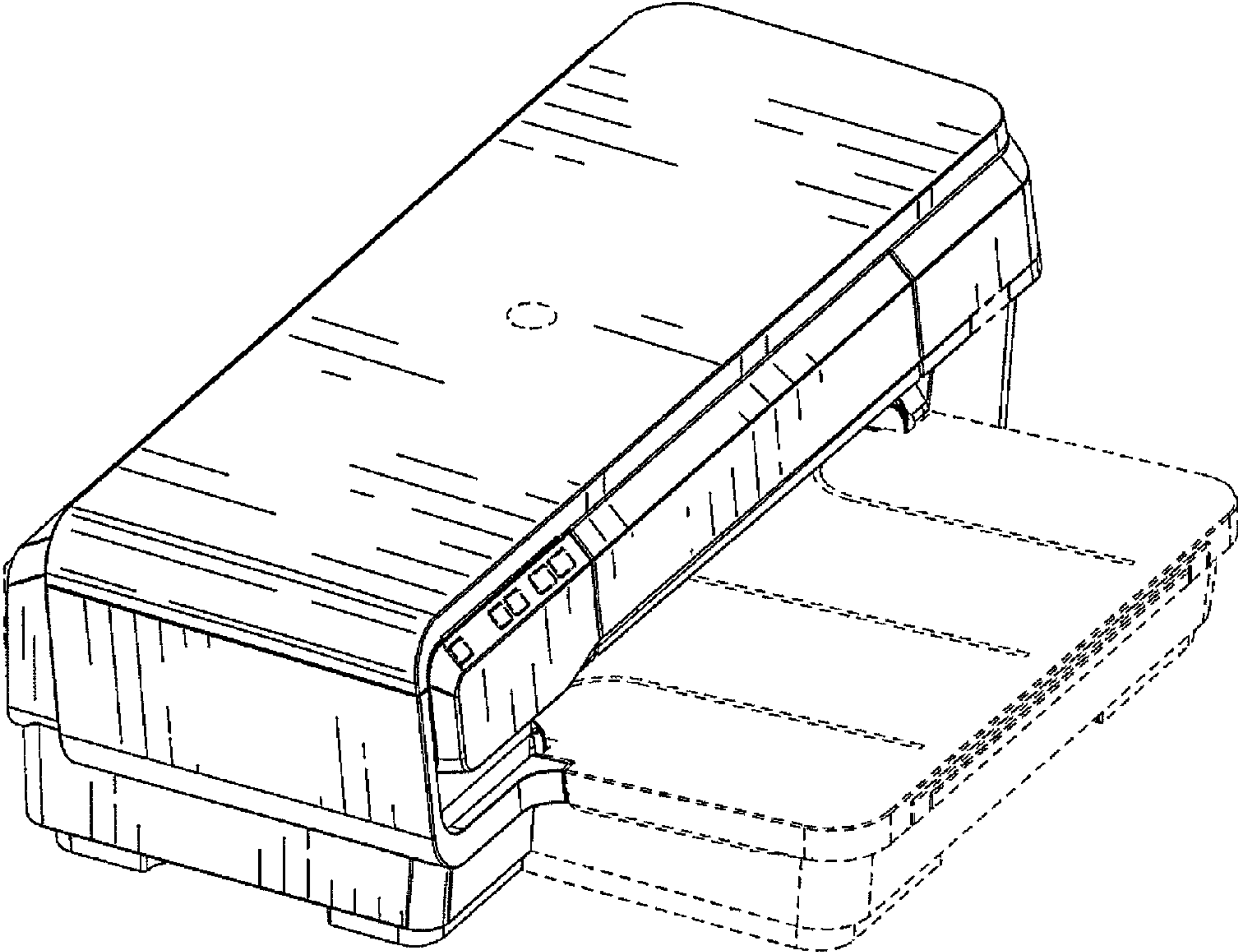


FIG. 2

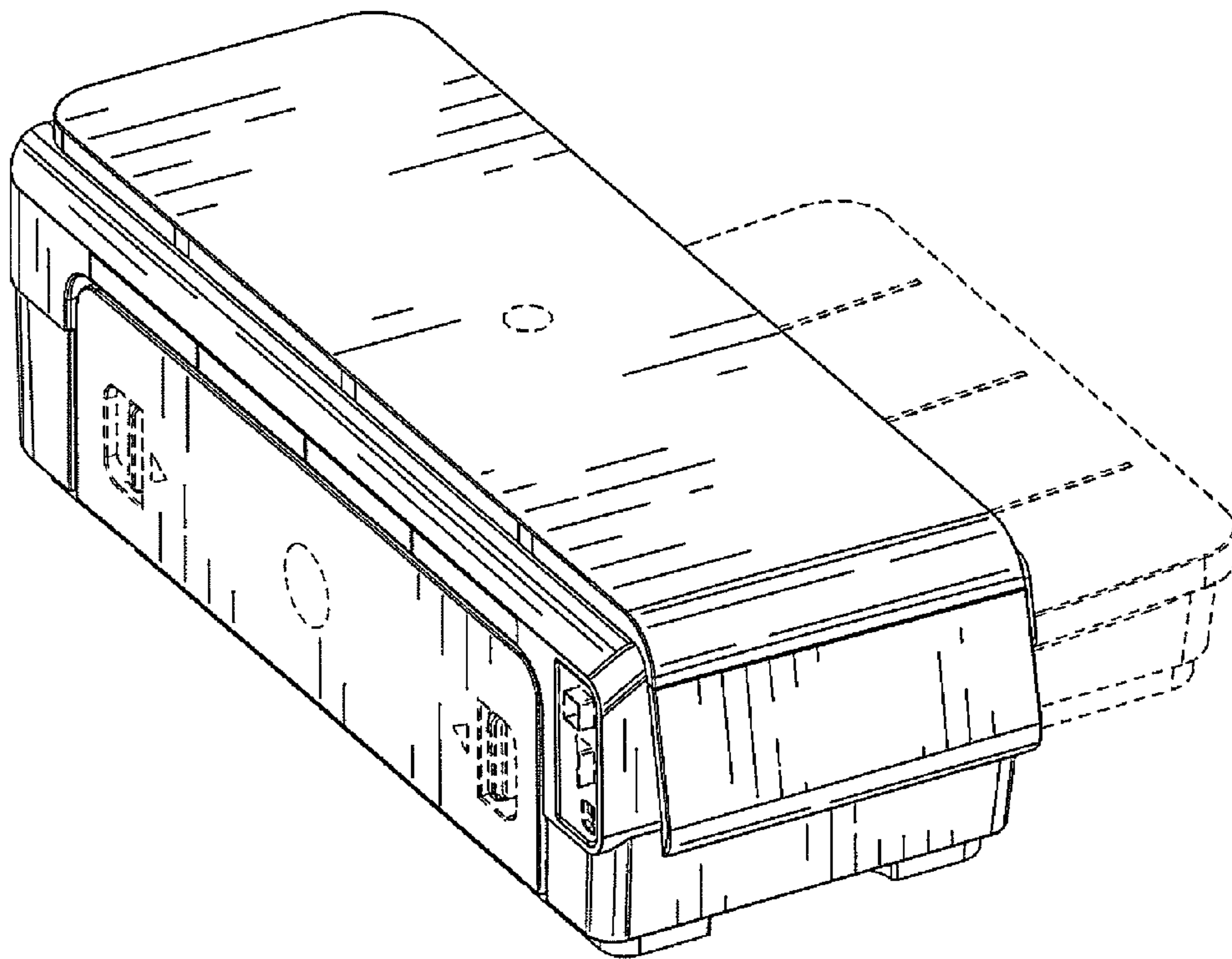


FIG. 3

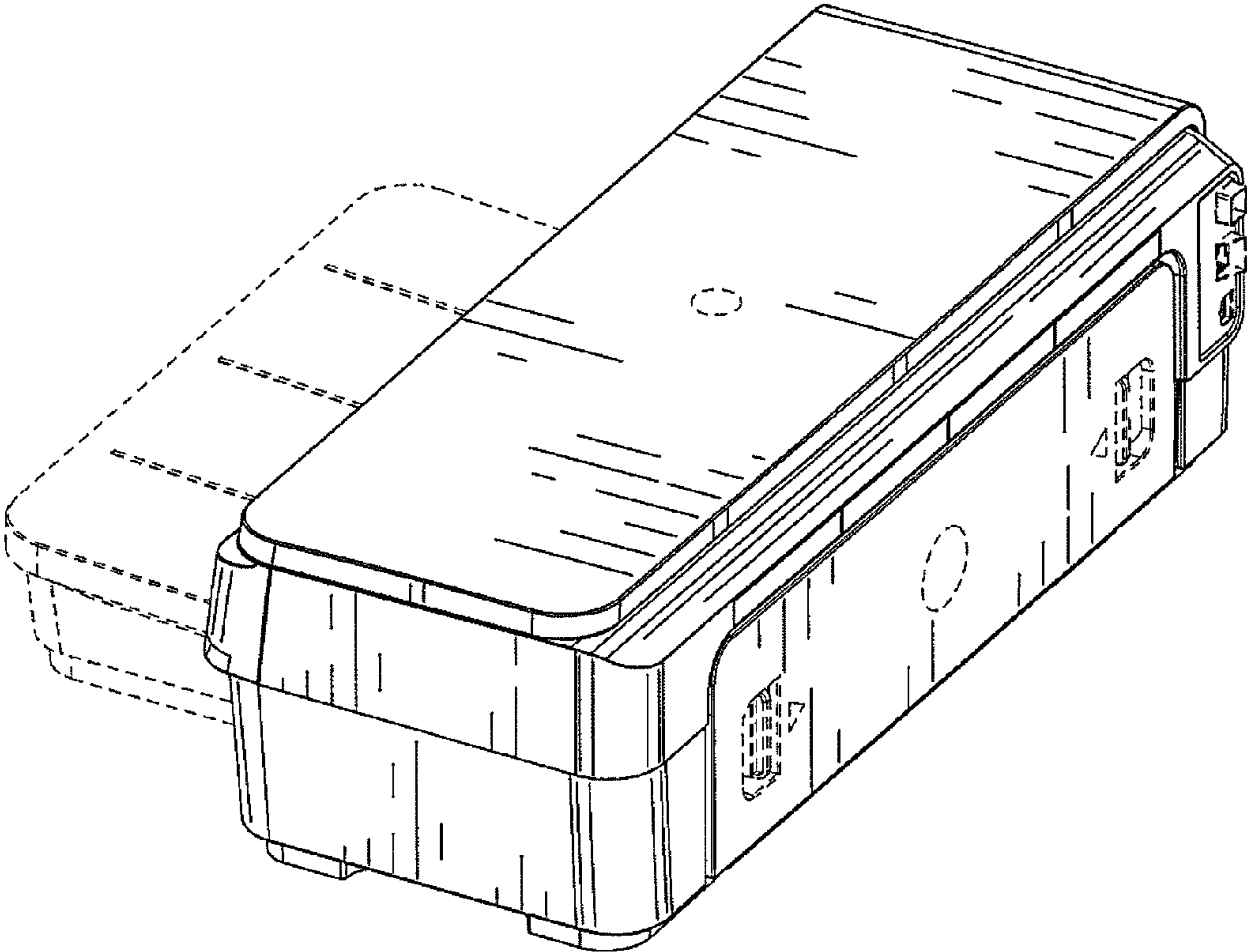


FIG. 4

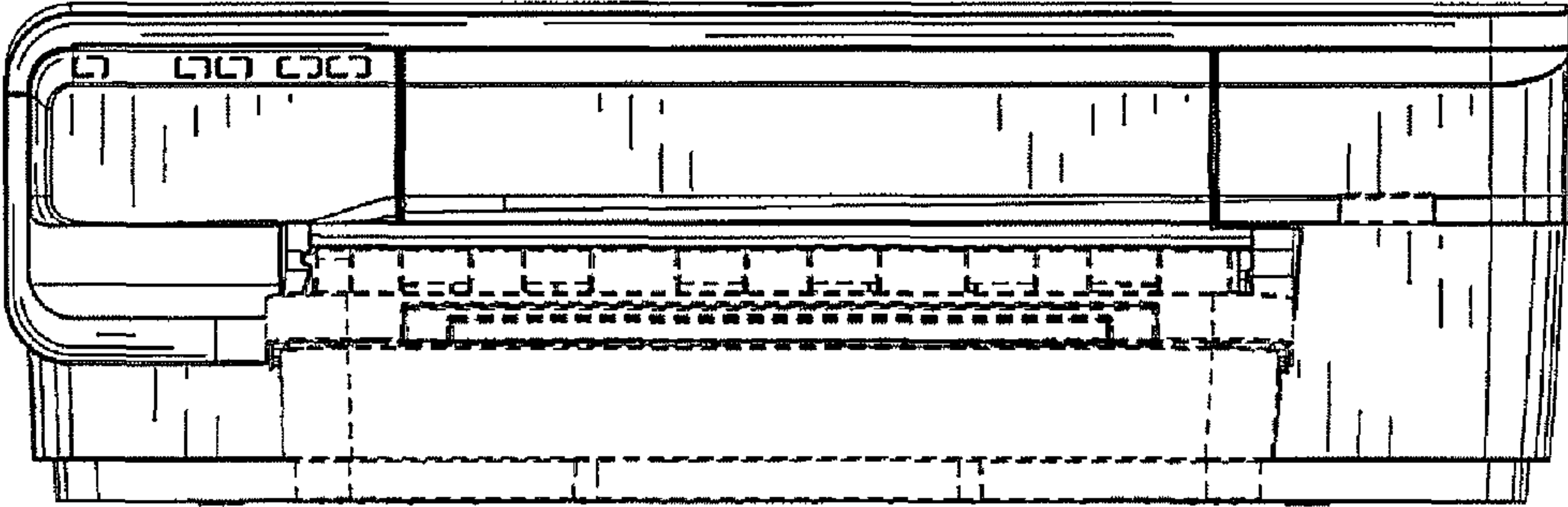


FIG. 5

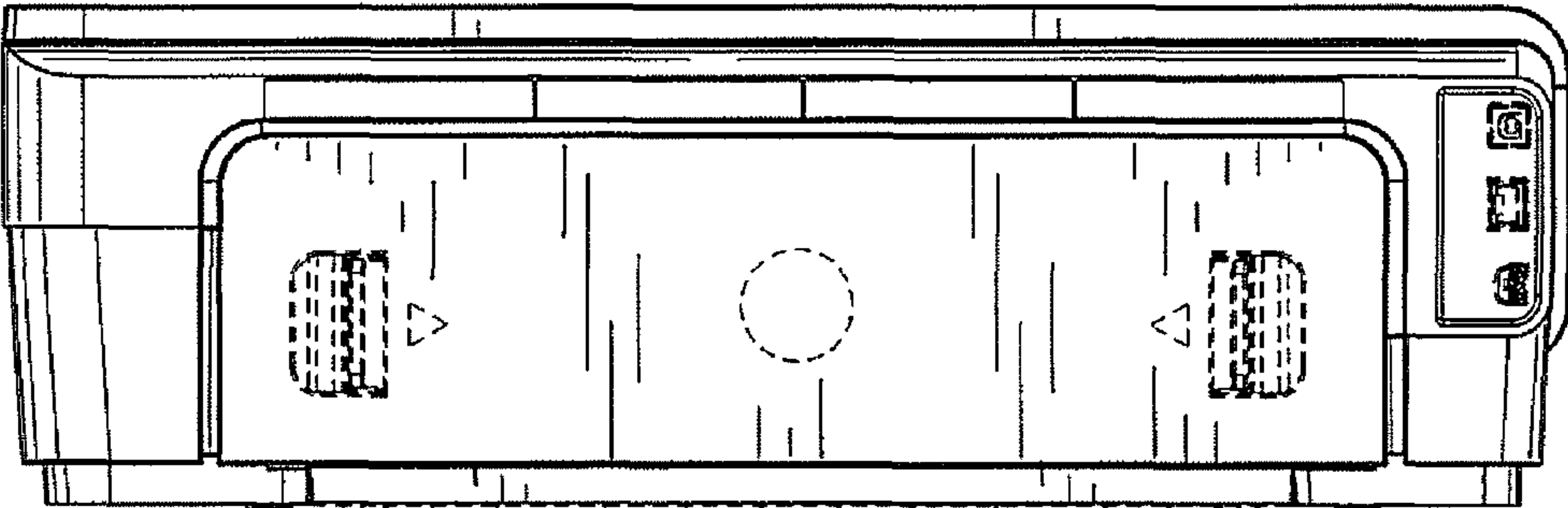


FIG. 6

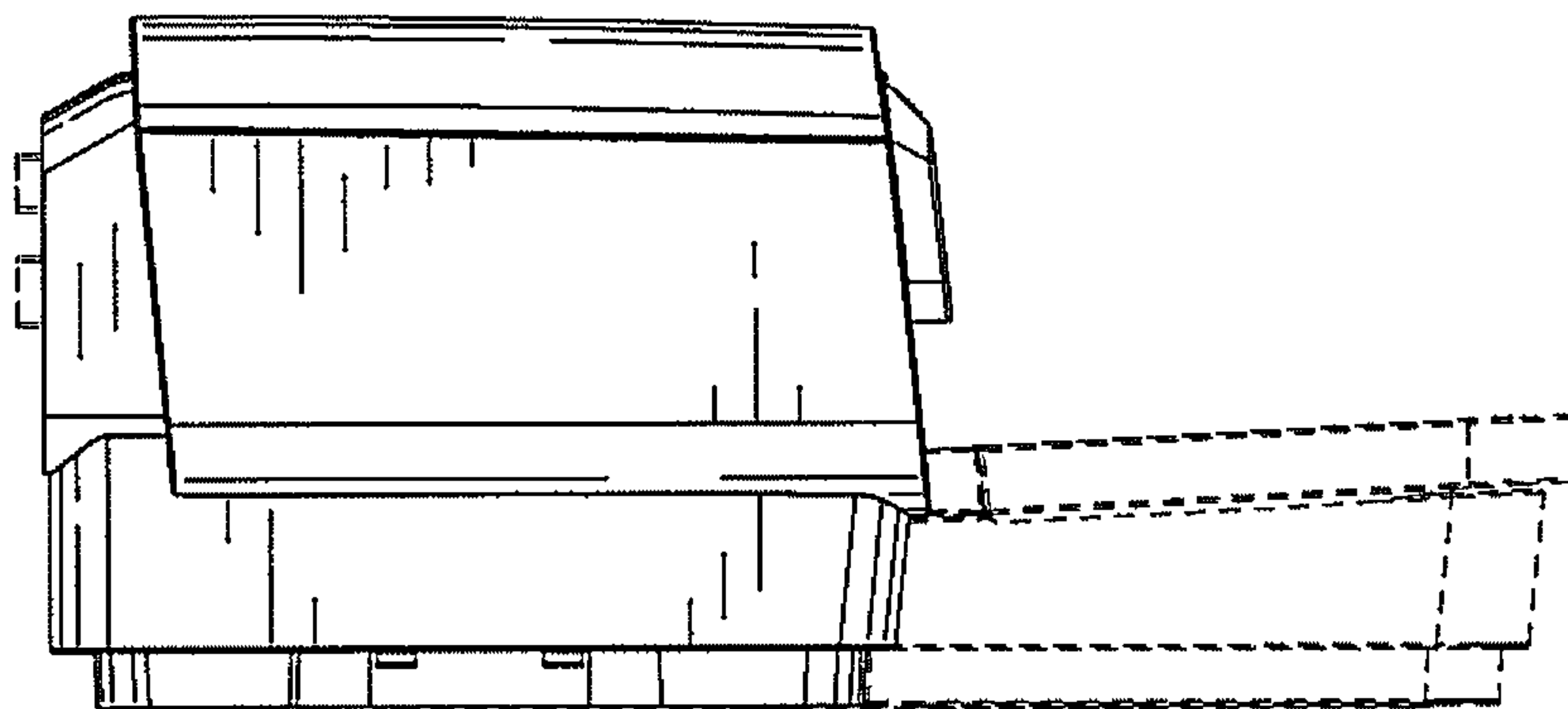


FIG. 7

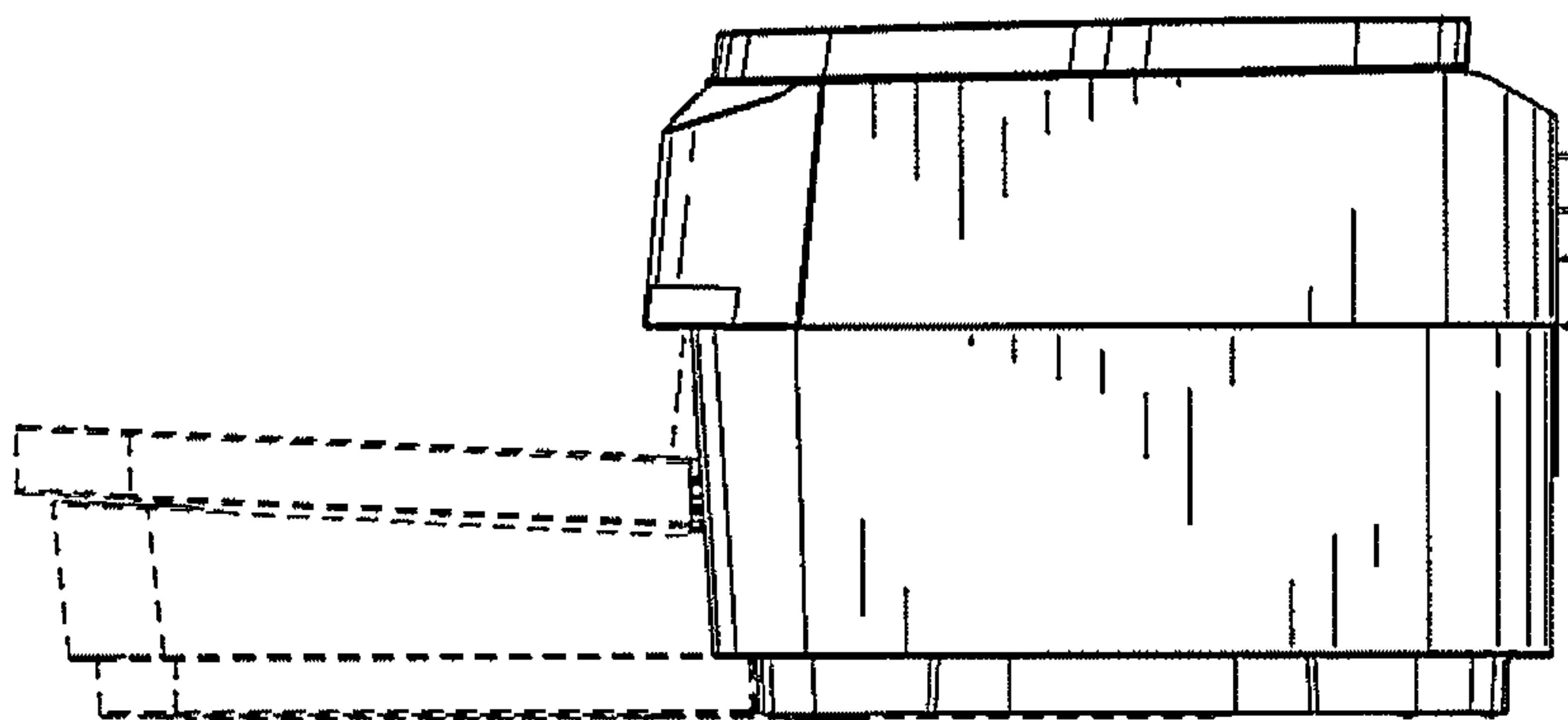


FIG. 8



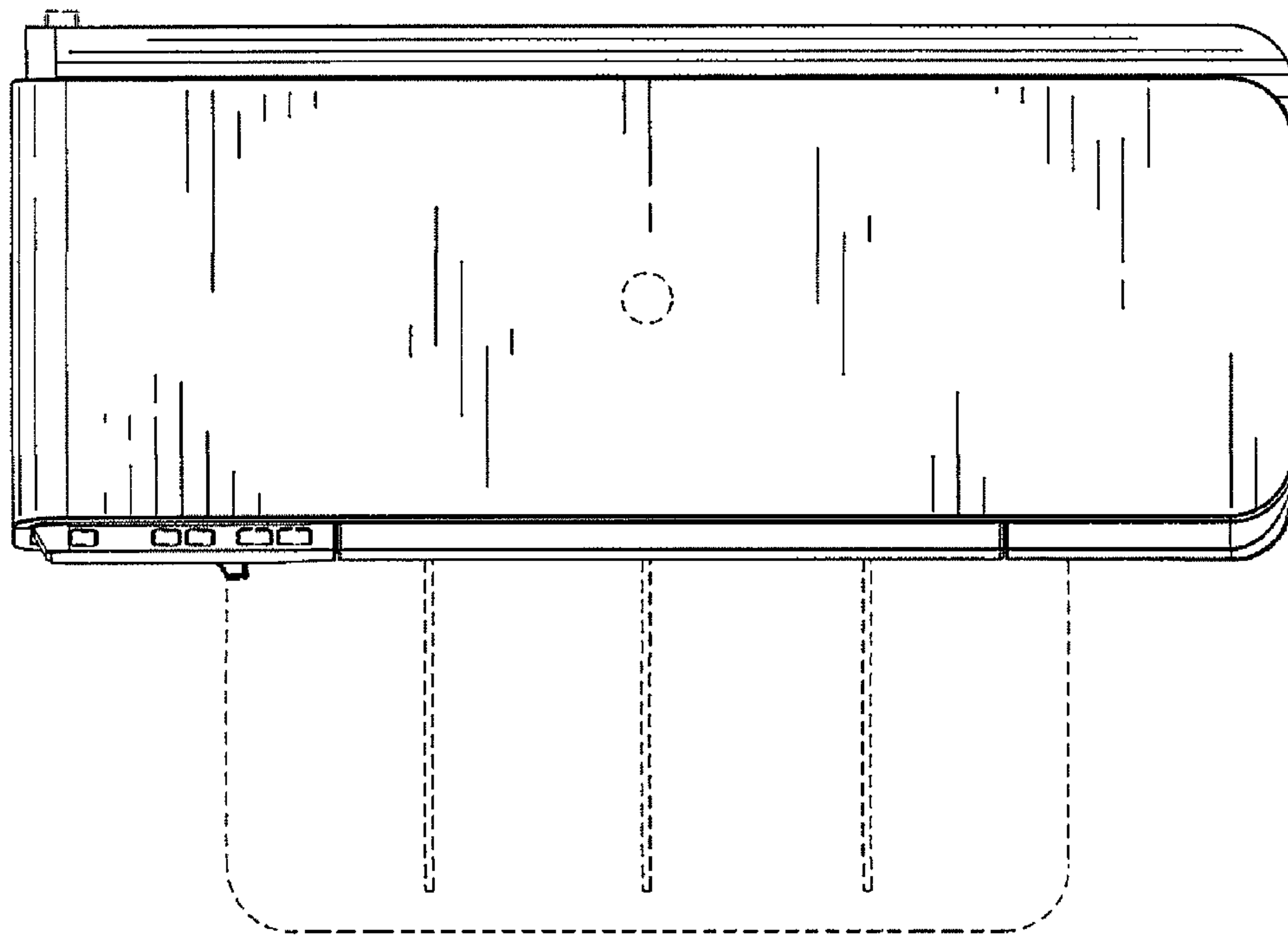


FIG. 9

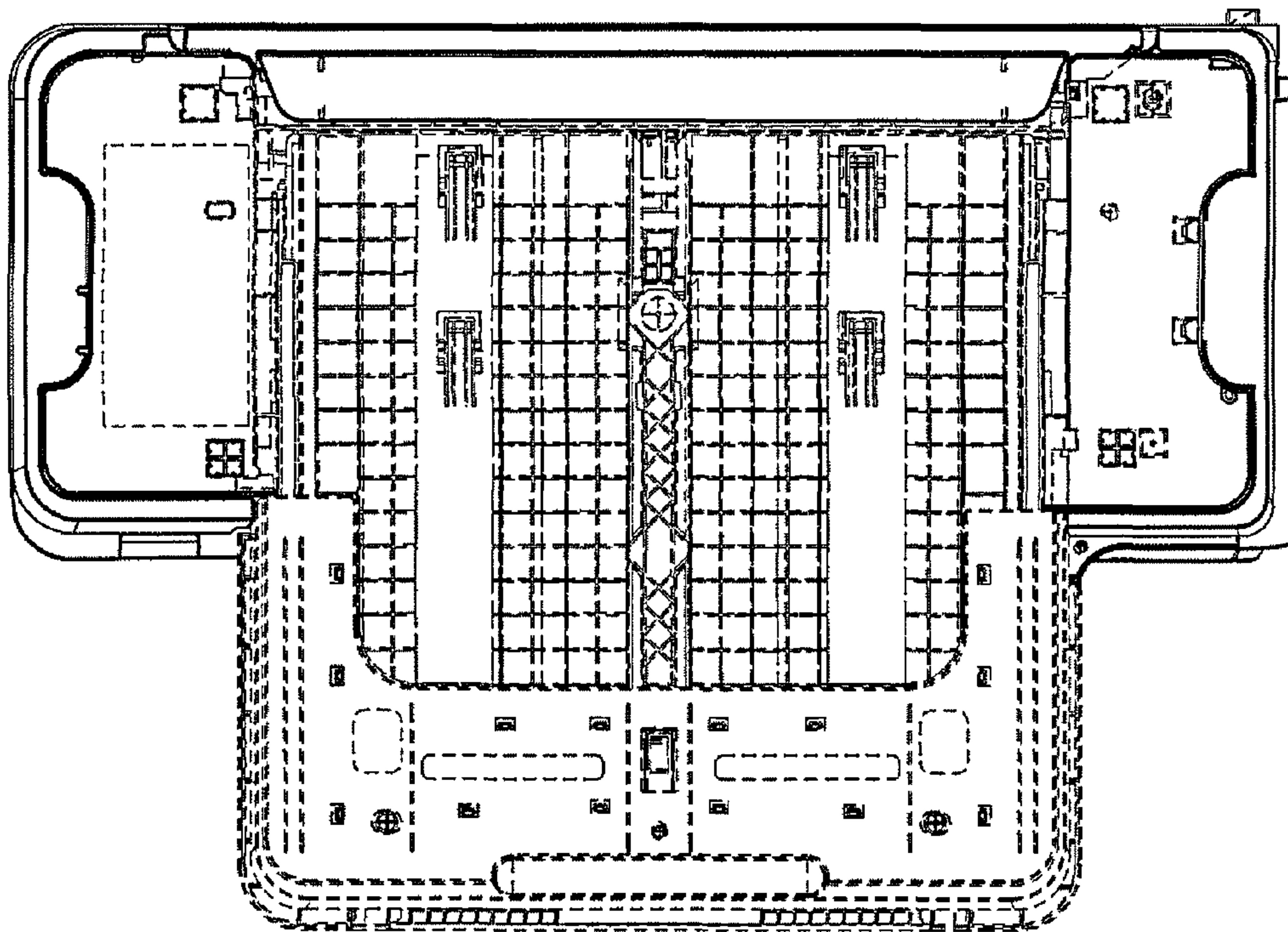


FIG. 10