



US00D706267S

(12) **United States Design Patent**
Nakata

(10) **Patent No.:** **US D706,267 S**
(45) **Date of Patent:** **** Jun. 3, 2014**

(54) **STYLUS PEN**

FOREIGN PATENT DOCUMENTS

(71) Applicant: **Wacom Co., Ltd.**, Kazo (JP)

EM 002091264-0005 A1 8/2012

(72) Inventor: **Takaaki Nakata**, Kuki (JP)

OTHER PUBLICATIONS

(73) Assignee: **Wacom Co., Ltd.**, Kazo-shi (JP)

“Smartphone Touch Pen for Tablet PC,” Model P-TPMJPNPND, product image and news release, Elecom Co., Ltd., Osaka, Japan, Apr. 10, 2012, <http://www.elecom.co.jp/news/201204/medias_girls/image/P-TPMJPNPND_L.jpg> [retrieved Oct. 8, 2013], 6 pages.

(**) Term: **14 Years**

(21) Appl. No.: **29/460,816**

Primary Examiner — Austin Murphy

(22) Filed: **Jul. 15, 2013**

(74) *Attorney, Agent, or Firm* — Christensen O’Connor Johnson Kindness PLLC

(30) **Foreign Application Priority Data**

(57) **CLAIM**

Jan. 22, 2013 (JP) 2013-000998

The ornamental design for a stylus pen, as shown and described.

(51) **LOC (10) Cl.** **14-02**

DESCRIPTION

(52) **U.S. Cl.**

USPC **D14/411**

(58) **Field of Classification Search**

USPC D8/61; D14/411; D19/35, 36, 41–51, D19/54–58; 401/55, 99, 100, 104–107, 196, 401/197, 202, 208, 209, 213, 192, 195, 401/243; 708/107; 345/179, 173; 178/19.01; 700/94

See application file for complete search history.

FIG. 1 is a bottom front right perspective view of a stylus pen showing my new design;
FIG. 2 is a top front right perspective view thereof;
FIG. 3 is a top plan view thereof;
FIG. 4 is a bottom plan view thereof;
FIG. 5 is a front elevation view thereof, wherein the rear elevation view, the left side elevation view, and the right side elevation view are all the same as the front elevation view;
FIG. 6 is a bottom front right perspective view of an alternative embodiment of the stylus pen shown in FIG. 1;
FIG. 7 is a top front right perspective view thereof;
FIG. 8 is a top plan view thereof;
FIG. 9 is a bottom plan view thereof; and,
FIG. 10 is a front elevation view thereof, wherein the rear elevation view, the left side elevation view, and the right side elevation view are all the same as the front elevation view.
The broken lines shown in FIGS. 1, 3, 6 and 8 illustrate environmental subject matter and form no part of the claimed design.

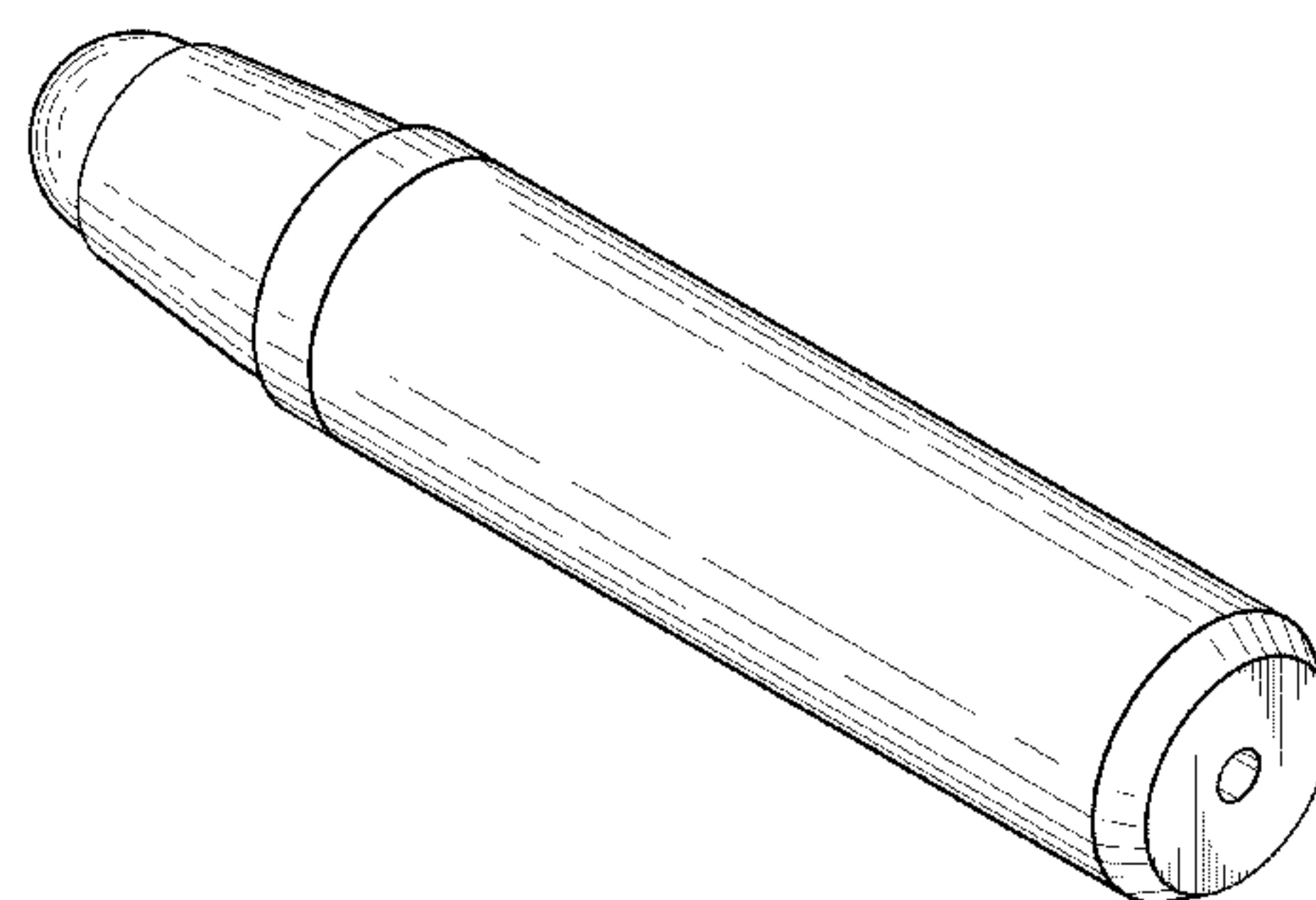
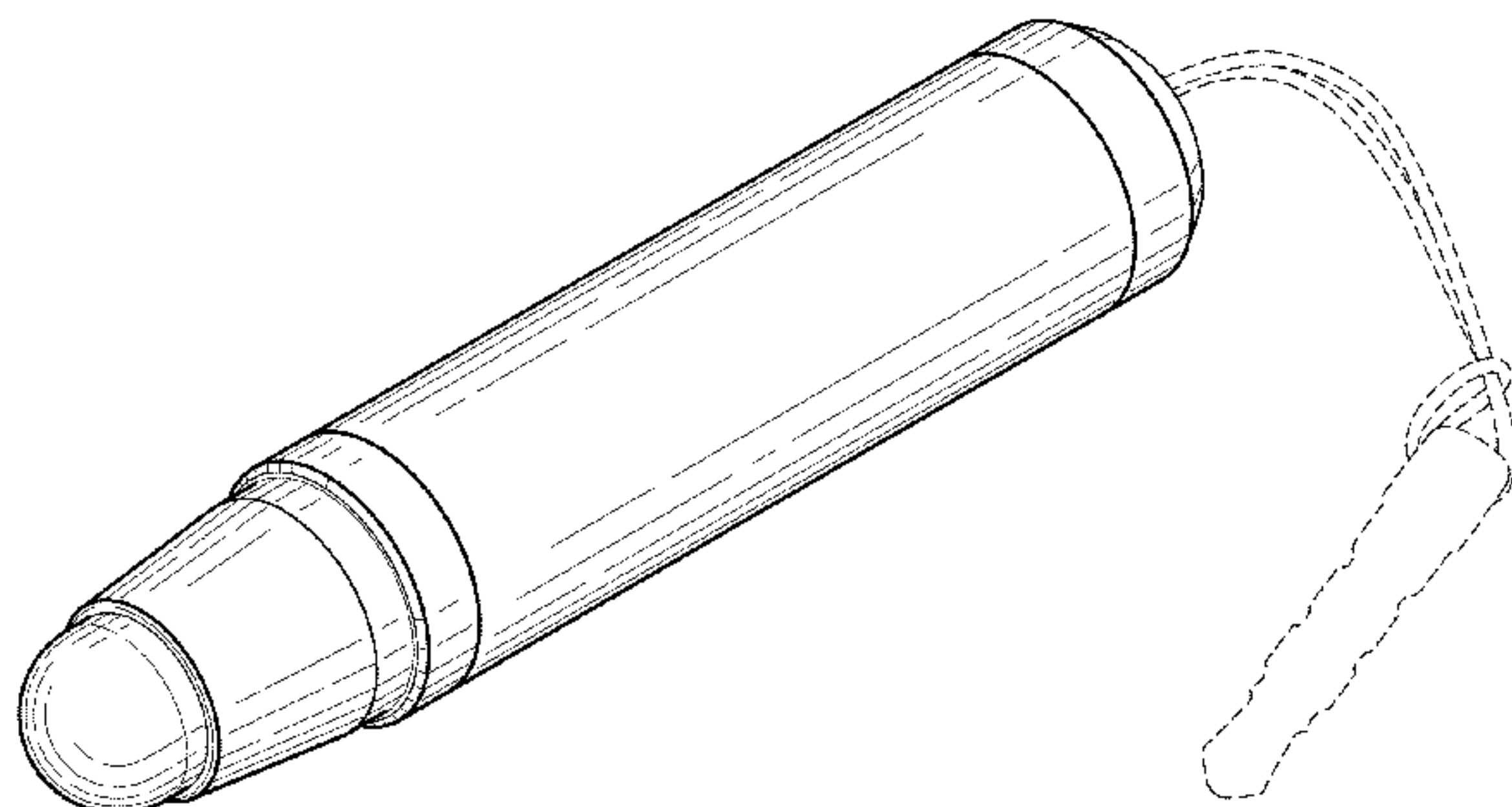
(56) **References Cited**

U.S. PATENT DOCUMENTS

1,974,667	A *	9/1934	Solinger	401/52
6,505,984	B2 *	1/2003	Smith et al.	401/52
D500,799	S *	1/2005	Olson	D10/78
7,001,092	B1 *	2/2006	Varughese	401/88
7,377,709	B2 *	5/2008	Butler	401/195
D619,580	S *	7/2010	Nakayama et al.	D14/411
D634,747	S *	3/2011	Wong et al.	D14/411
D655,292	S *	3/2012	Nakata	
D662,097	S *	6/2012	Lin	D14/411

(Continued)

1 Claim, 4 Drawing Sheets



(56)

References Cited

U.S. PATENT DOCUMENTS

D675,621 S *	2/2013	Fletcher et al.	D14/411	D684,579 S *	6/2013	Chen	D14/411
D679,708 S *	4/2013	Li	D14/411	D694,757 S *	12/2013	Wu	D14/411
				D695,741 S *	12/2013	Wang	D14/411
				2009/0142126 A1 *	6/2009	Dickover et al.	401/131

* cited by examiner

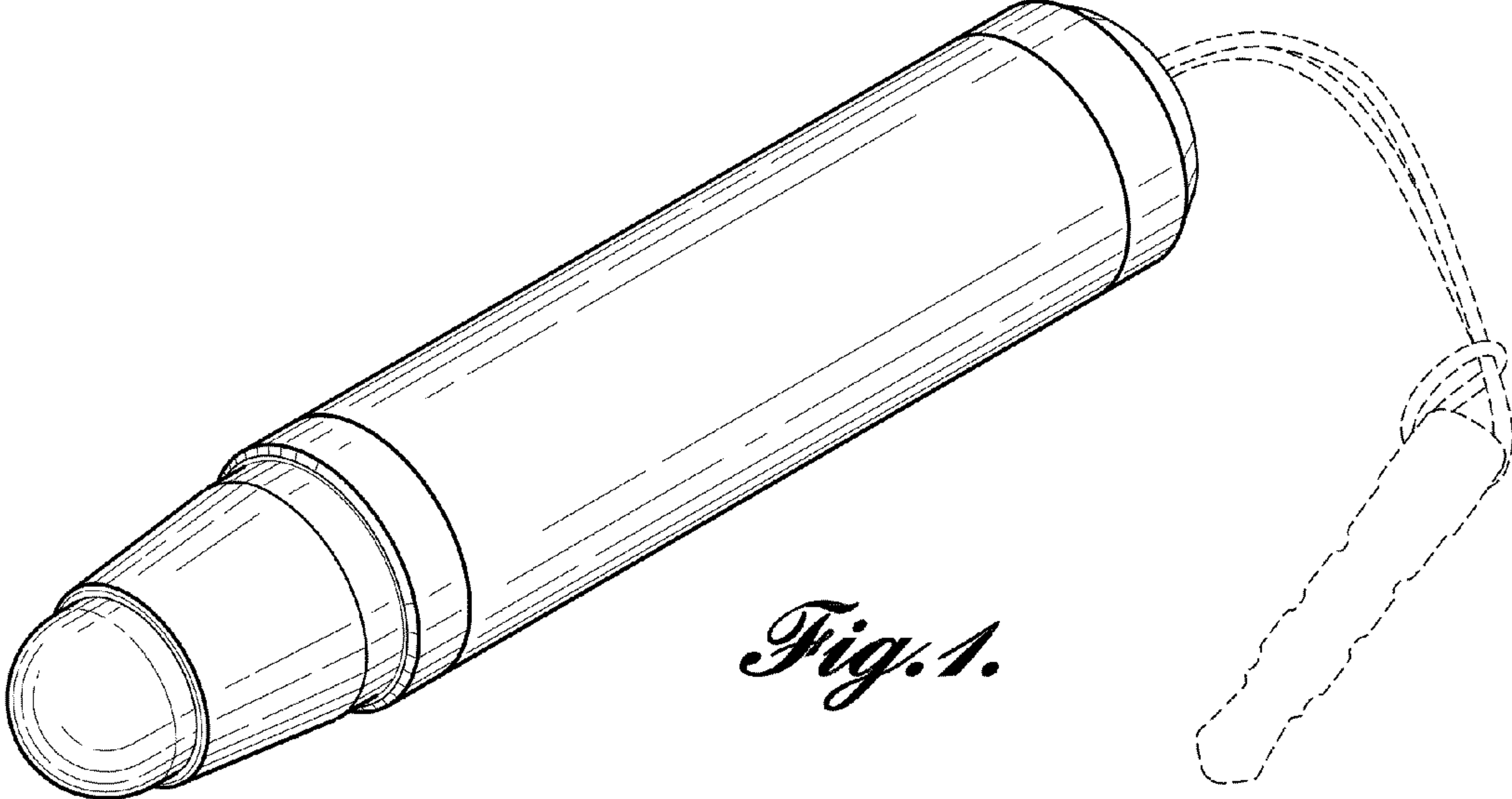


Fig. 1.

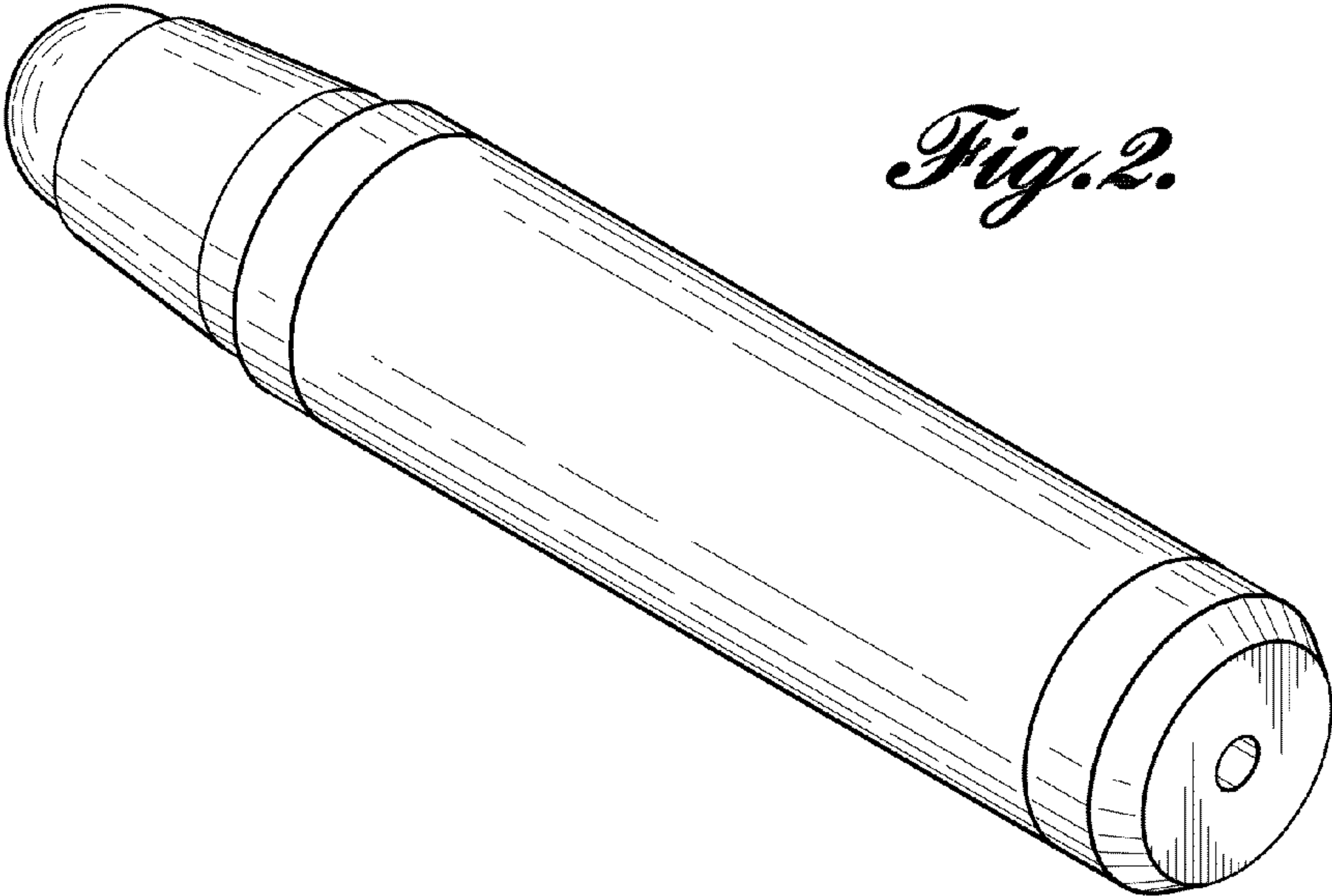


Fig. 2.

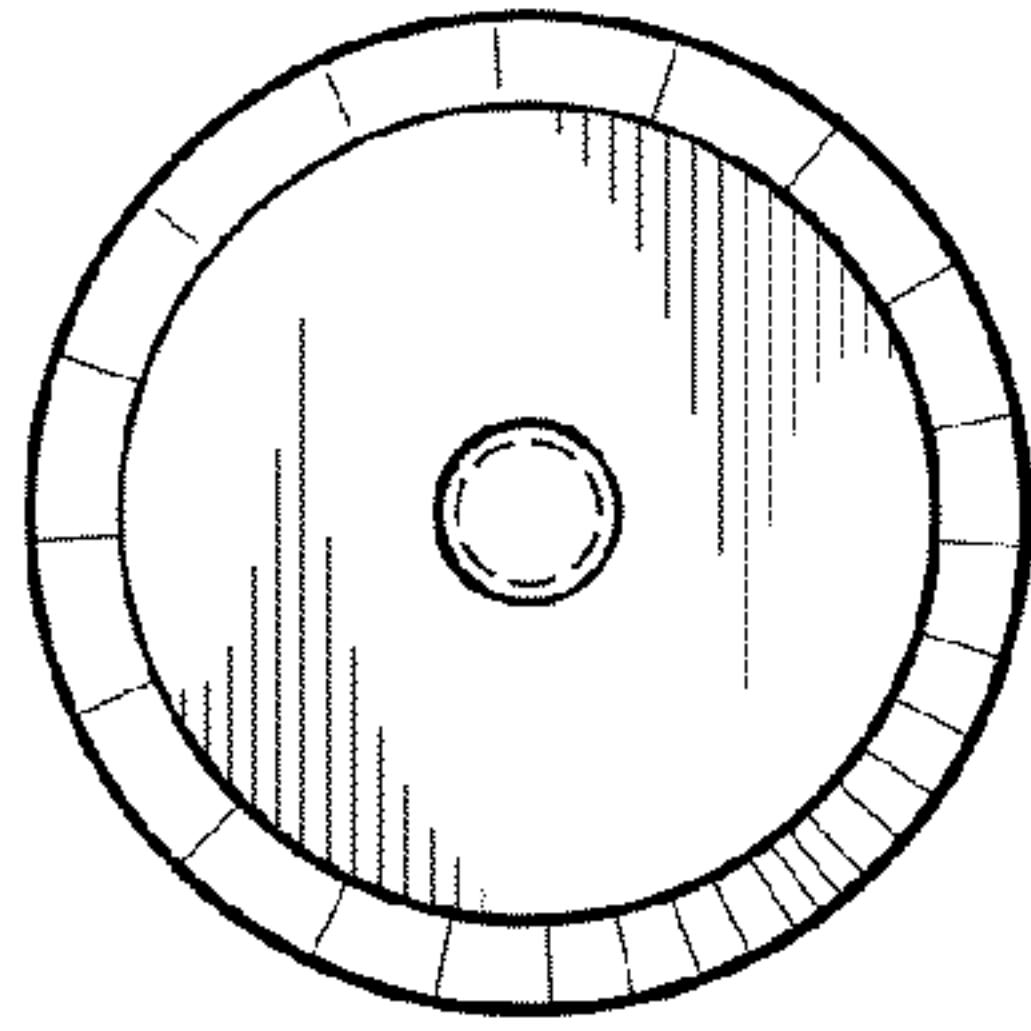


Fig. 3.

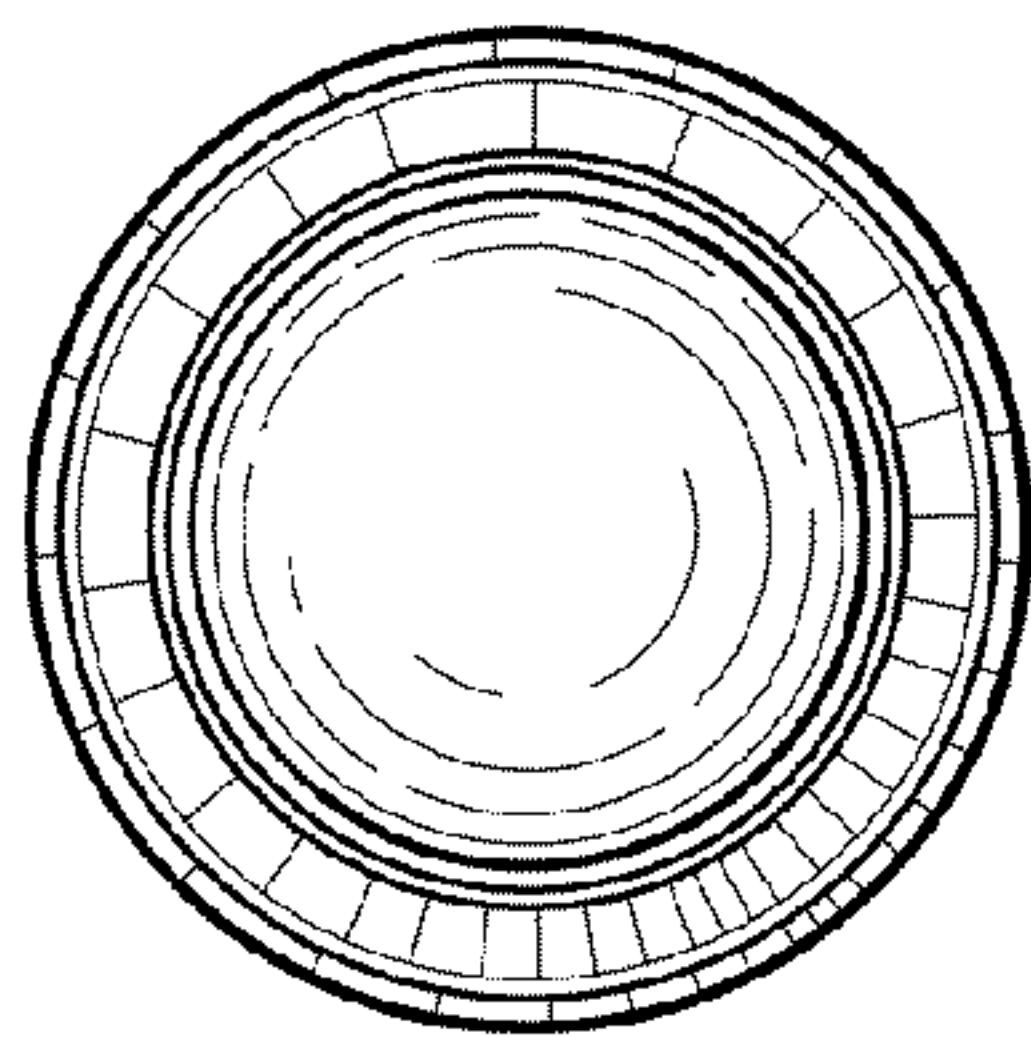


Fig. 4.

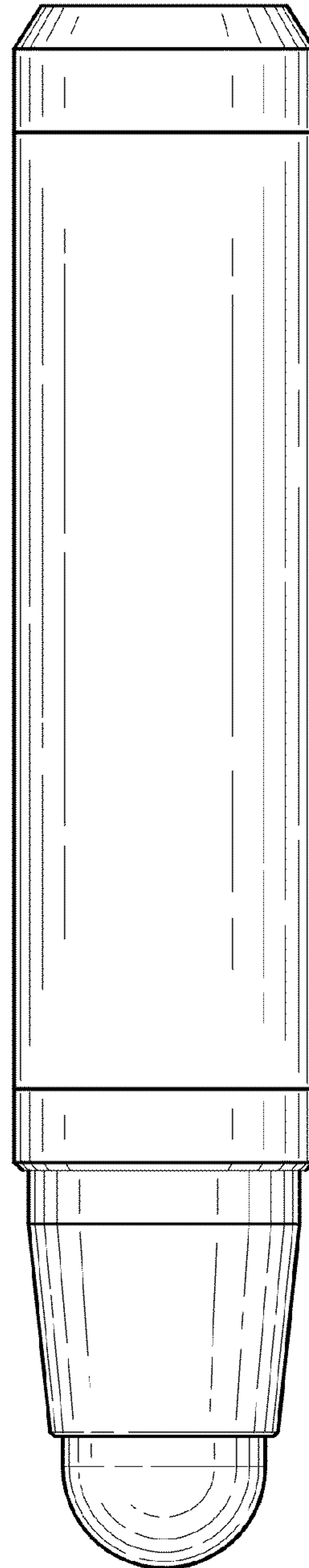


Fig. 5.

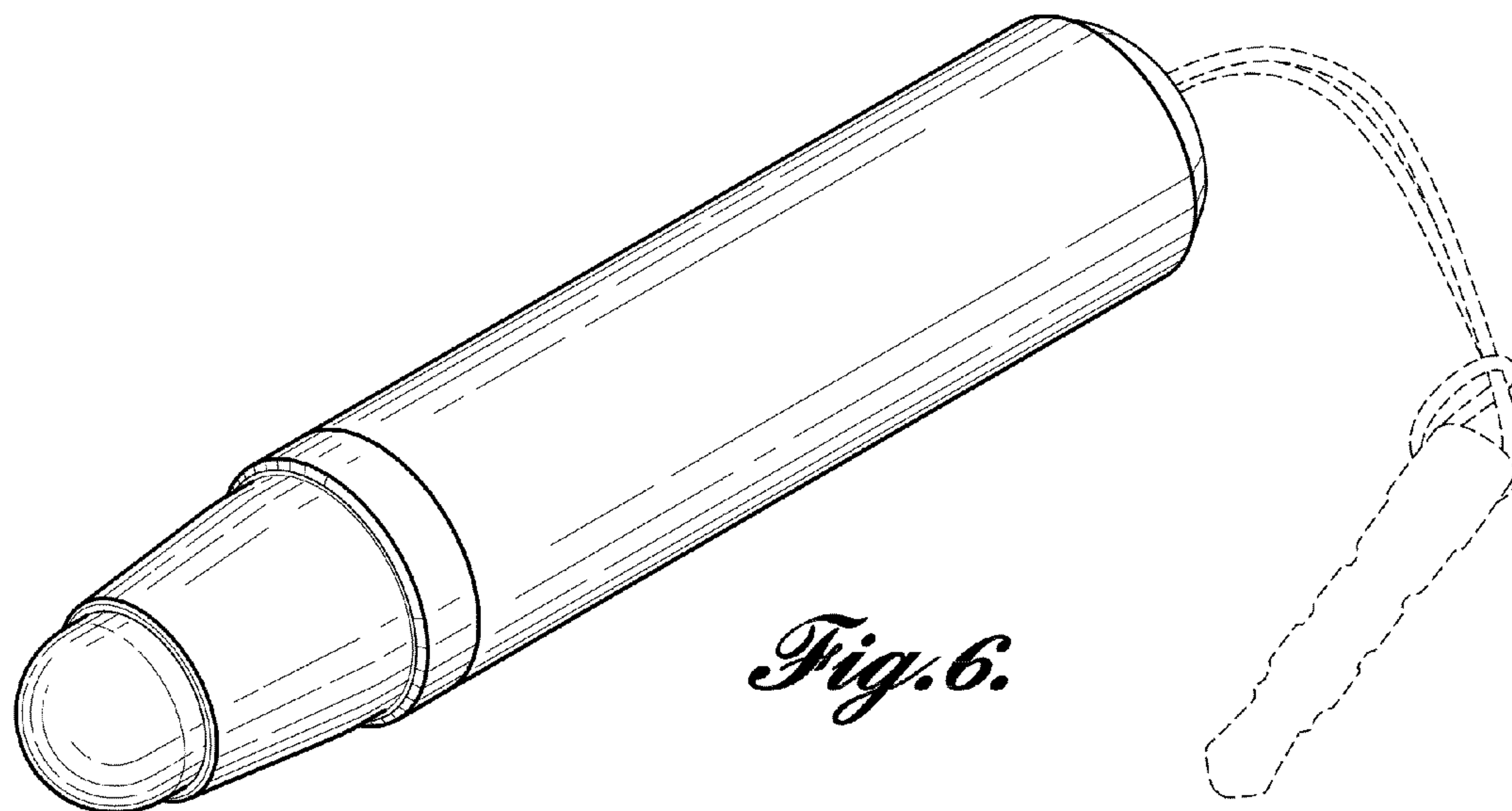


Fig. 6.

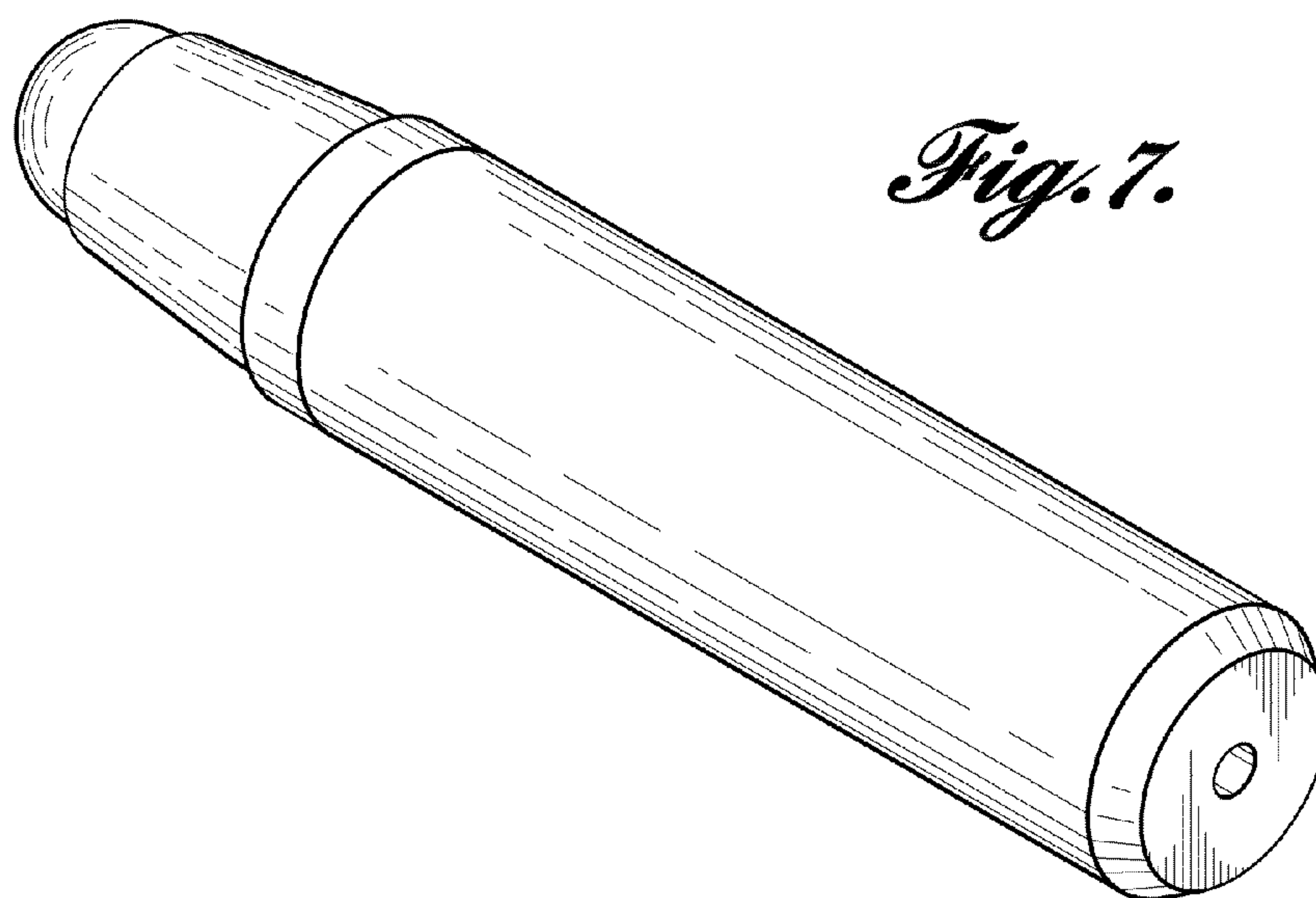


Fig. 7.

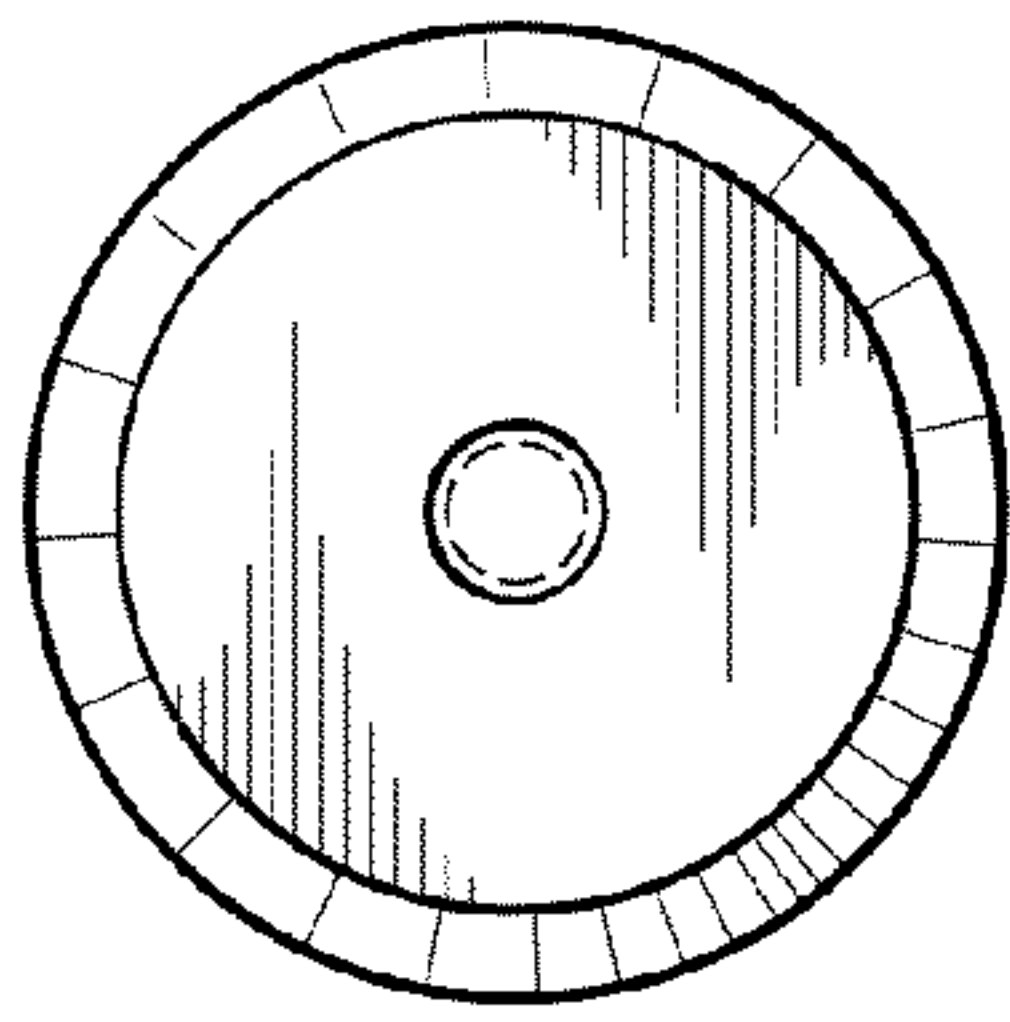


Fig. 8.

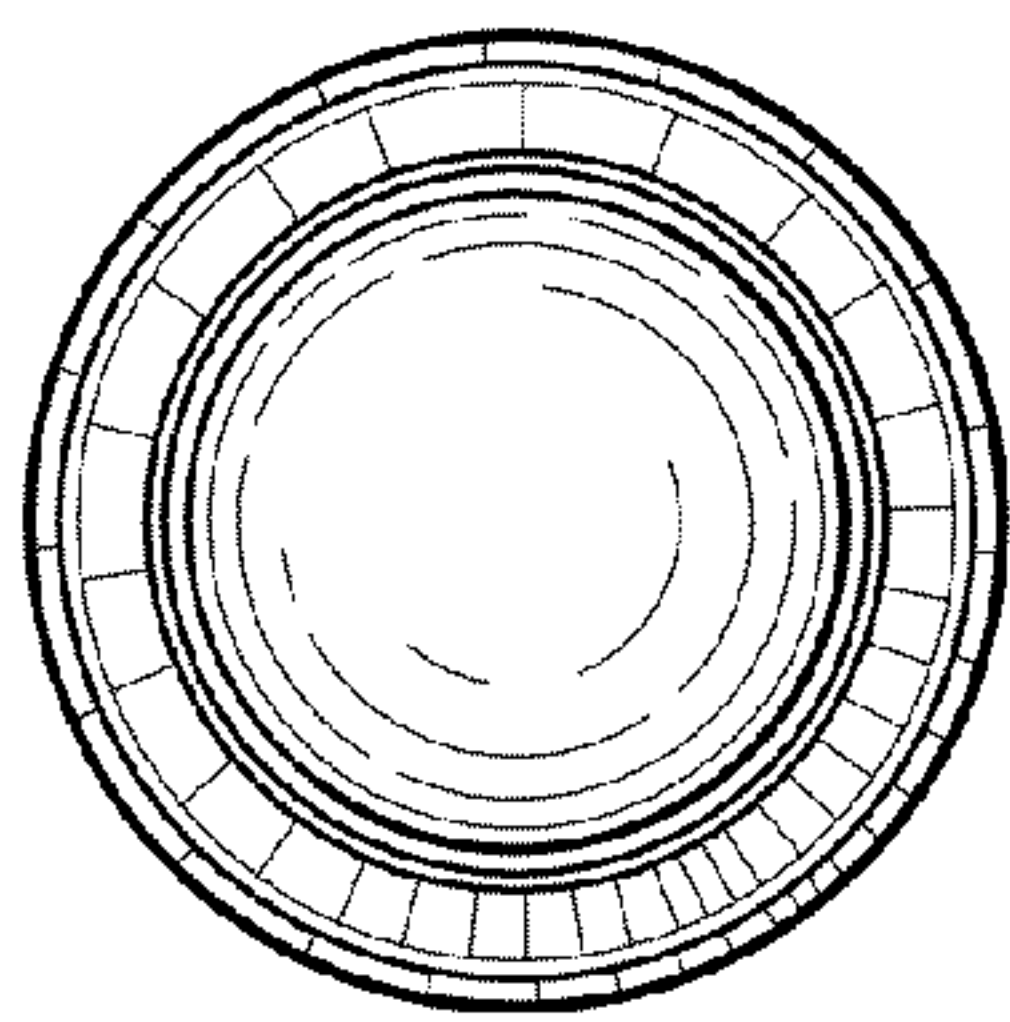


Fig. 9.

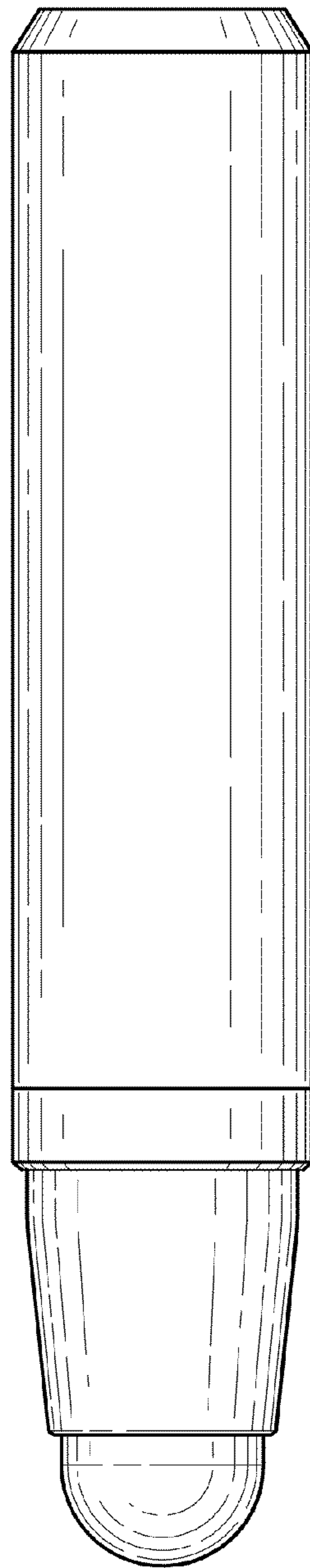


Fig. 10.