



US00D706266S

(12) **United States Design Patent**
Rotsaert

(10) **Patent No.:** **US D706,266 S**
(45) **Date of Patent:** **** Jun. 3, 2014**

(54) **CARD READER CONNECTION DEVICE**
(71) Applicant: **Roam Data, Inc.**, Boston, MA (US)
(72) Inventor: **Christopher Rotsaert**, Wasquehal (FR)
(73) Assignee: **Roam Data, Inc.**, Boston, MA (US)
(**) Term: **14 Years**

D681,036 S * 4/2013 Taunay da Graca
Couto D14/385
D681,639 S * 5/2013 Cruz et al. D14/385
D684,574 S * 6/2013 Taunay da Graca
Couto D14/385

* cited by examiner

Primary Examiner — Austin Murphy

(74) *Attorney, Agent, or Firm* — Ohlandt, Greeley, Ruggiero & Perle, L.L.P.

(21) Appl. No.: **29/467,668**

(22) Filed: **Sep. 20, 2013**

(51) **LOC (10) Cl.** **14-02**

(52) **U.S. Cl.**
USPC **D14/385**

(58) **Field of Classification Search**
USPC D14/356–358, 383–385, 420, 426, 427,
D14/432–439, 447, 453, 454, 217, 253,
D14/299; D13/107, 108, 133, 146, 147,
D13/152, 154, 156, 158, 162, 162.1, 168,
D13/173, 177, 102; 235/441, 451, 492, 380,
235/439, 375; 361/679.31, 600, 679.01,
361/679.02

See application file for complete search history.

(56) **References Cited**

U.S. PATENT DOCUMENTS

D422,976 S * 4/2000 Su D14/385
D590,828 S * 4/2009 Sherrod et al. D14/385
D592,661 S * 5/2009 Woo et al. D14/358
D607,000 S * 12/2009 Cheng et al. D14/485
D667,402 S * 9/2012 Maus D14/385
D671,118 S * 11/2012 Wesolek D14/385
D676,047 S * 2/2013 White et al. D14/385

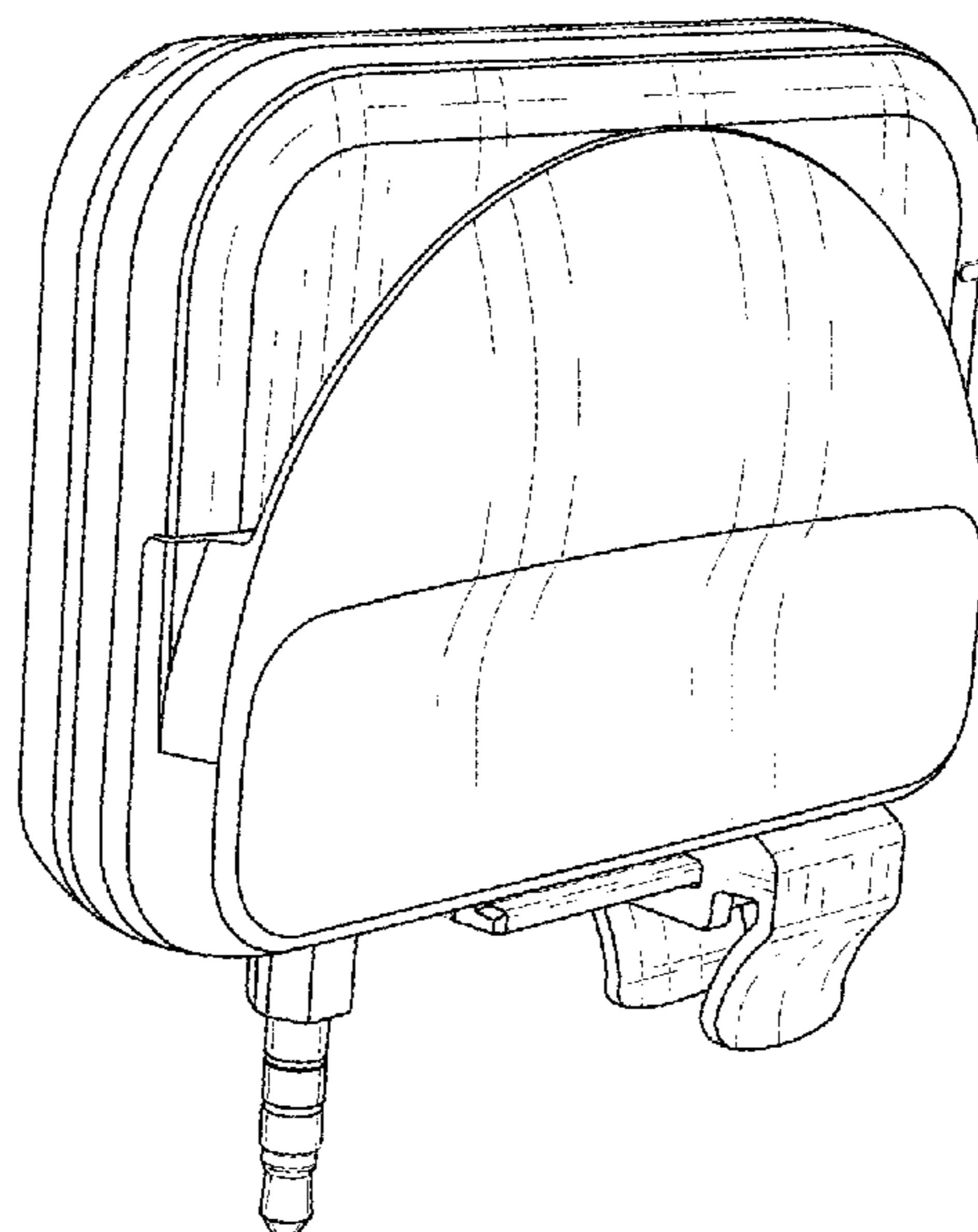
(57) **CLAIM**

The ornamental design for a card reader connection device, as shown and described.

DESCRIPTION

FIG. 1 is a top side perspective view of a card reader connection device according to the present design;
FIG. 2 is rear view of the card reader connection device of FIG. 1;
FIG. 3 is front view of the card reader connection device of FIG. 1;
FIG. 4 is a side view of the card reader connection device of FIG. 1;
FIG. 5 is a side view of the card reader connection device of FIG. 1 that is rotated 180 degrees from the view shown in FIG. 4;
FIG. 6 is a top view of the card reader connection device of FIG. 1; and,
FIG. 7 is a bottom view of card reader connection device of FIG. 1.
The broken lines shown in the drawings represent portions of the card reader connection device that form no part of the claimed design.

1 Claim, 4 Drawing Sheets



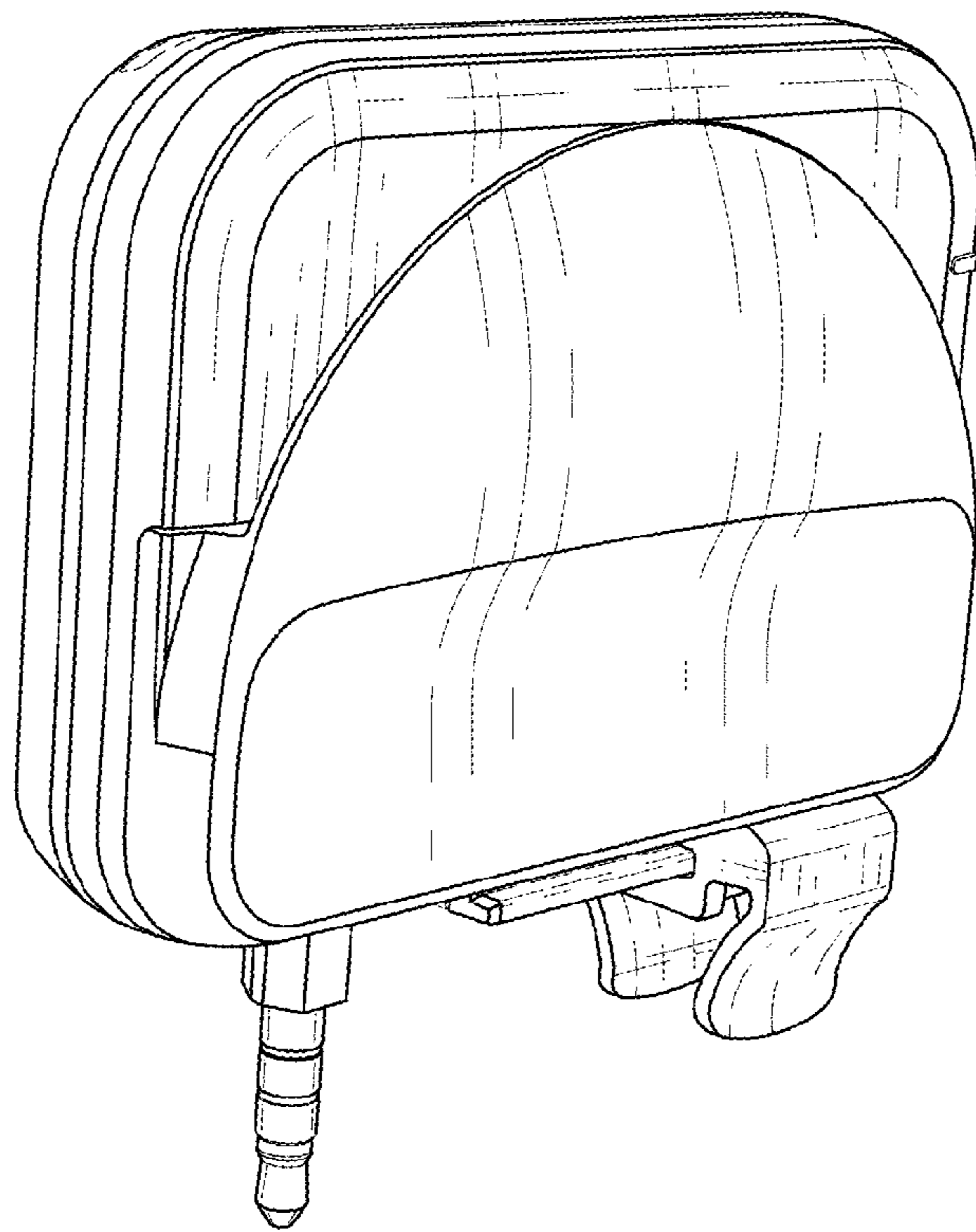


FIG. 1

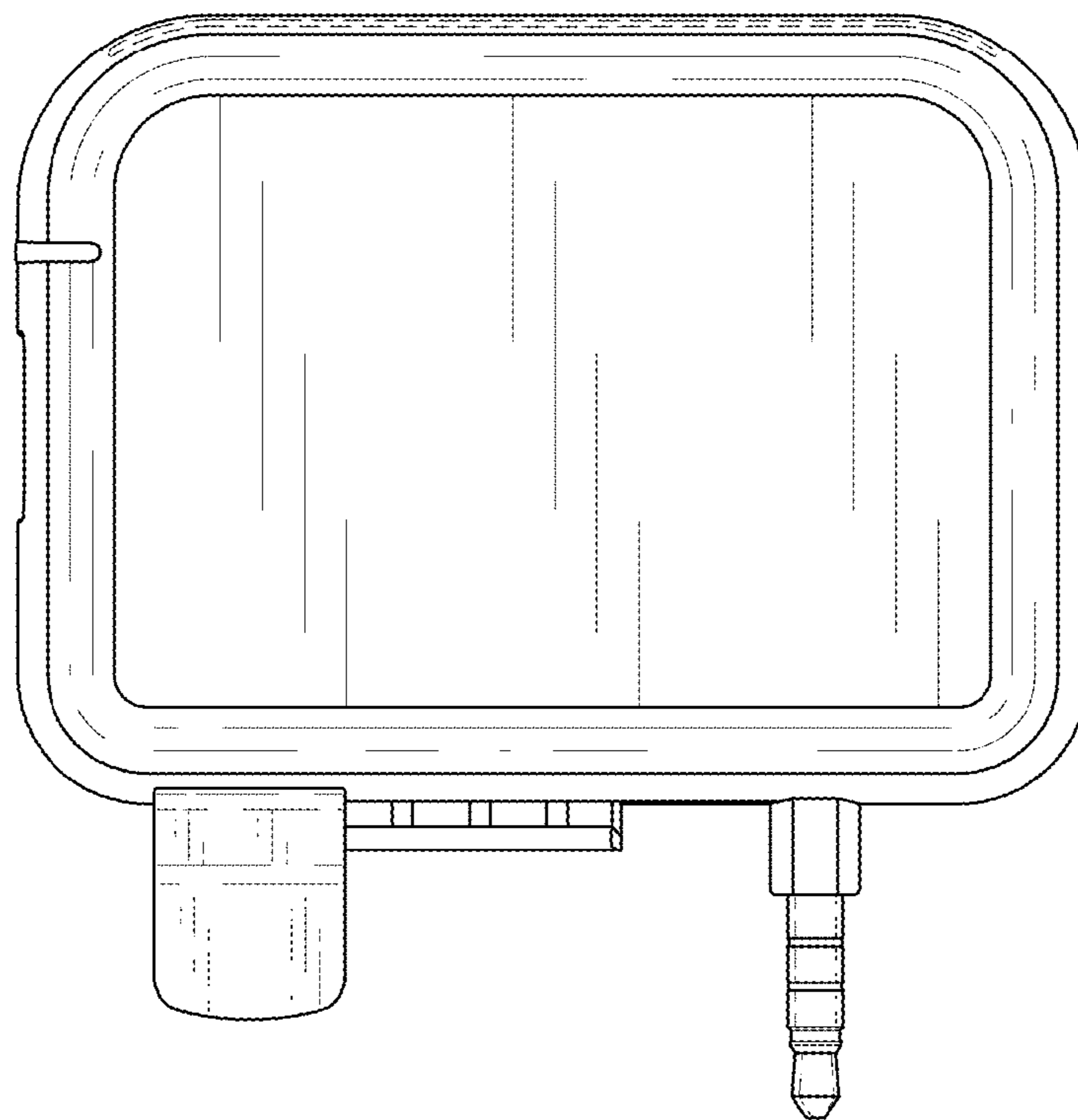


FIG. 2

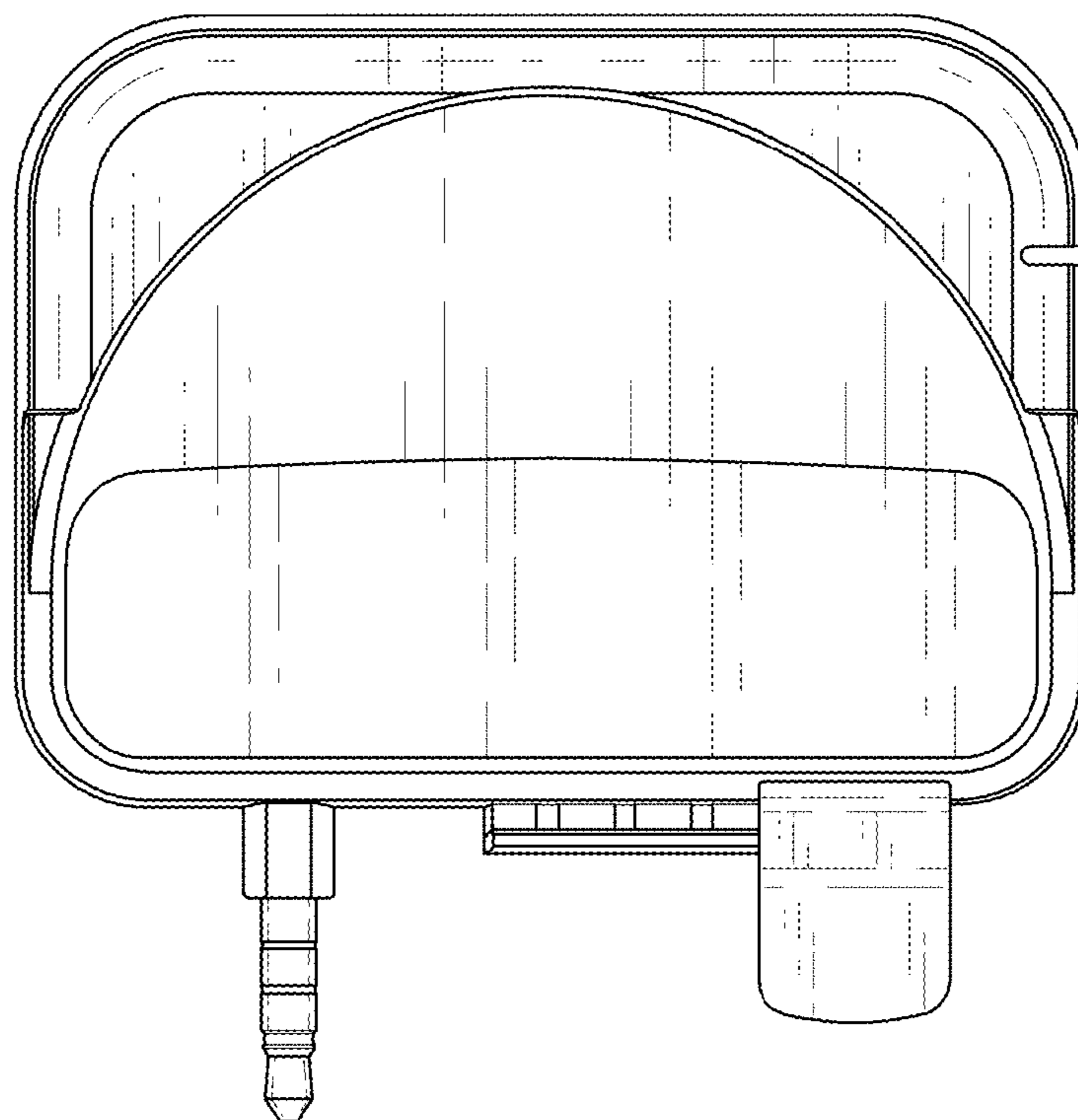


FIG. 3

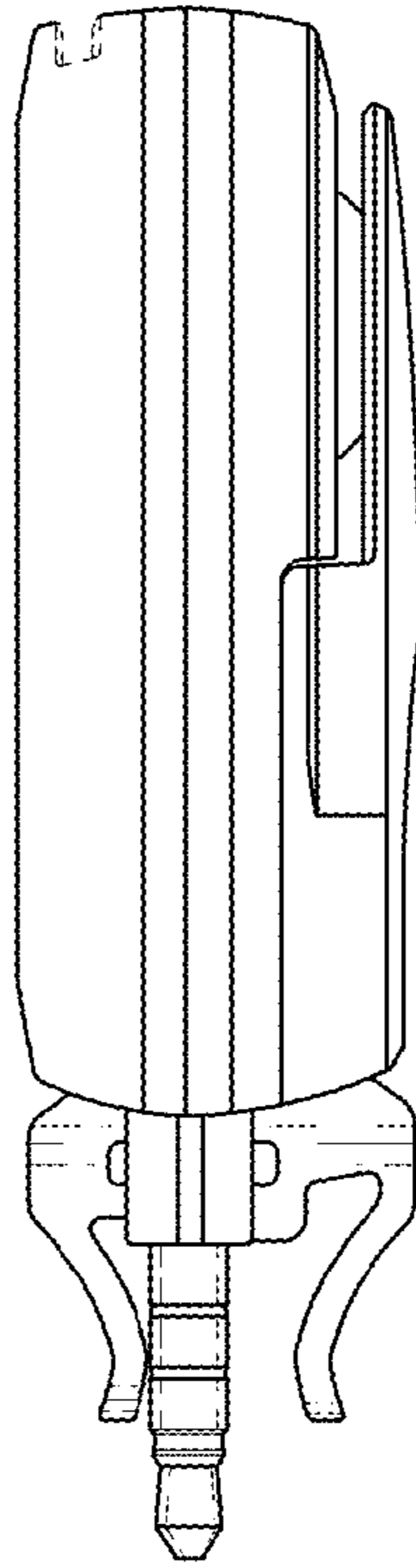


FIG. 4

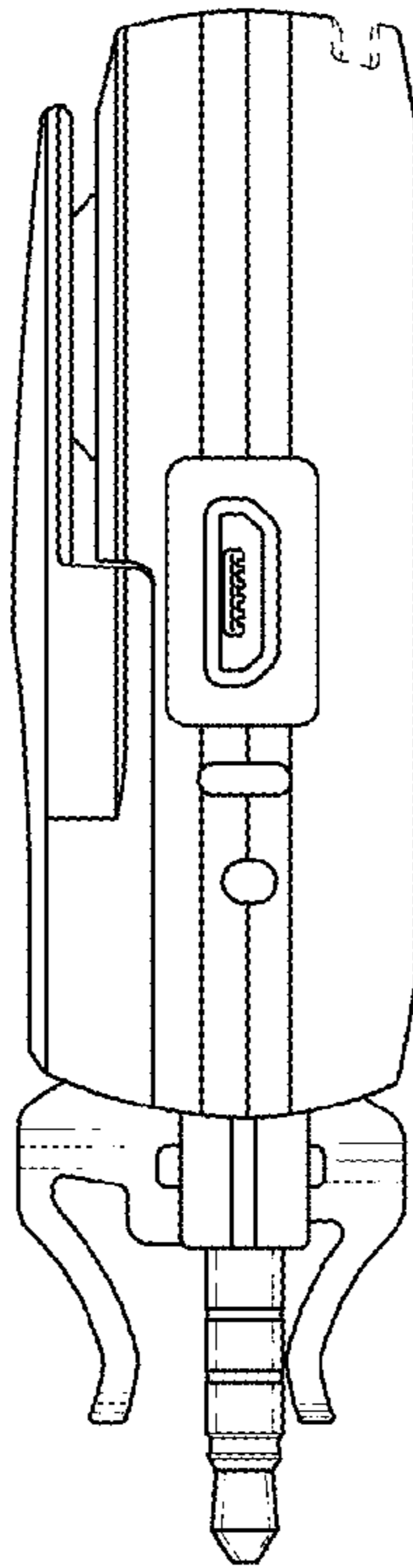


FIG. 5

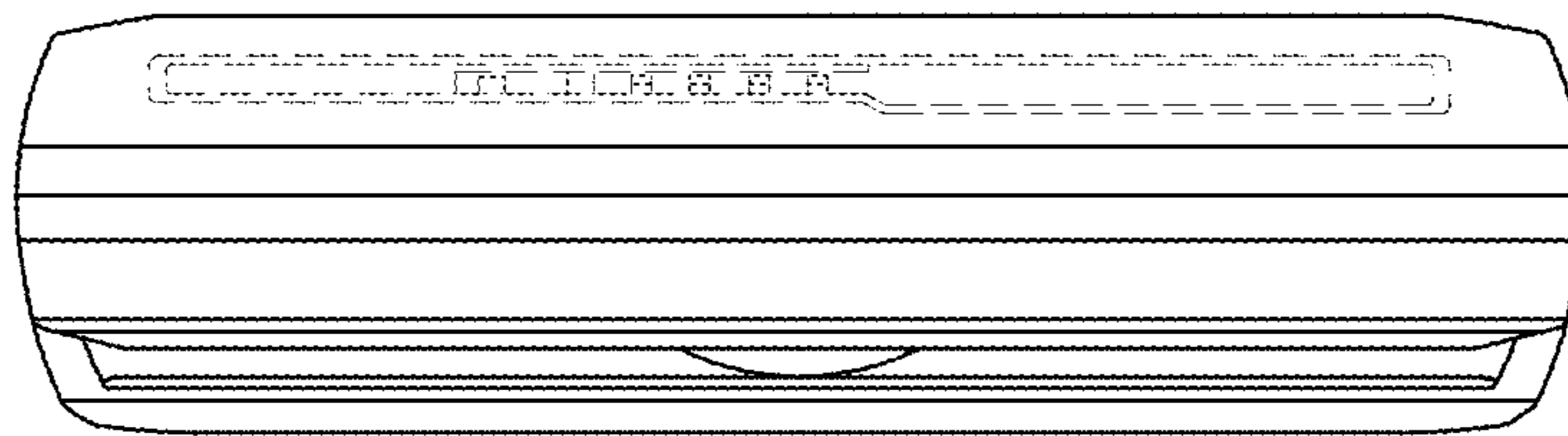


FIG. 6

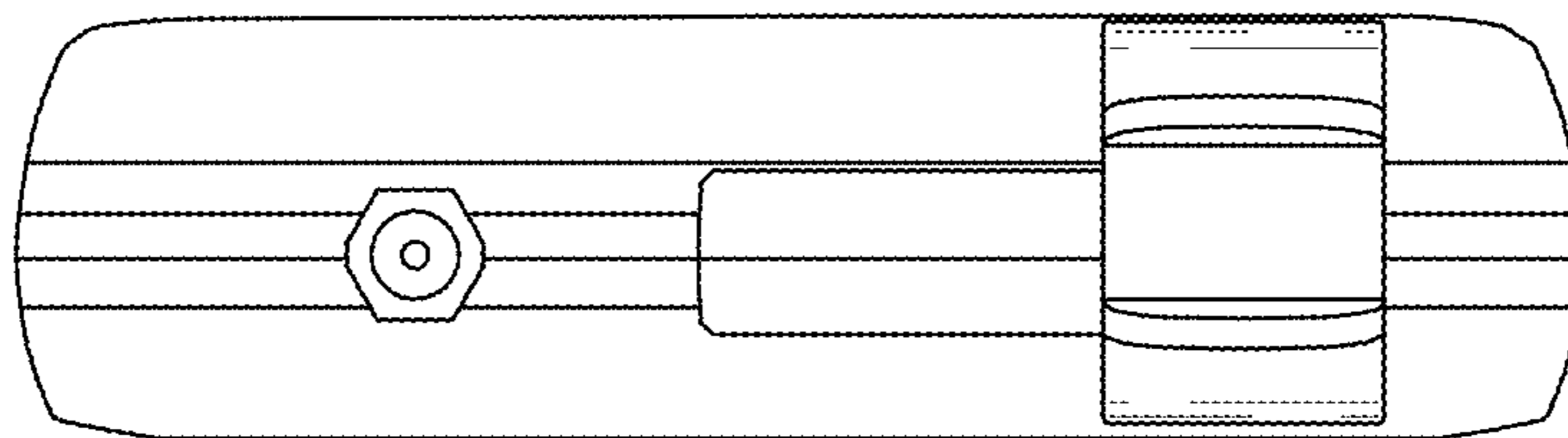


FIG. 7