



US00D706264S

(12) **United States Design Patent**  
**Taniho et al.**

(10) **Patent No.:** **US D706,264 S**  
(45) **Date of Patent:** **\*\* Jun. 3, 2014**

(54) **IMAGE DATA COMMUNICATION  
EQUIPMENT UNIT**

D354,948 S \* 1/1995 Moodie ..... D14/346  
D373,589 S \* 9/1996 Peterson et al. .... D14/257  
D390,572 S \* 2/1998 Buskmiller et al. .... D14/257

(75) Inventors: **Kiichi Taniho**, Kahoku (JP); **Satoshi Kuroda**, Kahoku (JP); **Masayuki Kobayashi**, Kahoku (JP)

(Continued)

**FOREIGN PATENT DOCUMENTS**

(73) Assignee: **PFU Limited**, Ishikawa (JP)

CN 302568503 \* 7/2012  
JP 1340757 9/2008

(Continued)

(\*\*) Term: **14 Years**

**OTHER PUBLICATIONS**

(21) Appl. No.: **29/416,131**

(22) Filed: **Mar. 19, 2012**

SwRI: Biometrics Acquisition Device Experience. [online]. Southwest Research Institute, 2012 [retrieved on Nov. 4, 2013, Printed to PDF on Dec. 16, 2013]. Retrieved from the Internet: <URL: http://www.swri.org/4org/d14/ElectroSys/biometrics/bioacq.htm>.\*

(30) **Foreign Application Priority Data**

(Continued)

Oct. 14, 2011 (JP) ..... 2011-023551

(51) **LOC (10) CL.** ..... **14-02**

(52) **U.S. CL.**

USPC ..... **D14/358**; D14/240; D14/125; D14/257

(58) **Field of Classification Search**

USPC ..... D10/1-4, 15, 21, 23, 25, 27-29, 41, D10/46-49, 52-53, 60, 65, 75-80, 87-89, D10/103, 106, 108, 118; D14/100, 125, D14/138, 240-241, 257-258, 313, 336-337, D14/343, 346, 356-359, 371, 382-384, 388, D14/420-430, 432, 440-441; D18/4, 4.6, D18/336-337, 382-384; 324/73, 73.1, 112, 324/115, 121; 340/732-734, 747, 798; 360/900-904; 361/200-204

See application file for complete search history.

*Primary Examiner* — Jeffrey D Asch

*Assistant Examiner* — John Eberhart

(74) *Attorney, Agent, or Firm* — RatnerPrestia

(57) **CLAIM**

The ornamental design for an image data communication equipment unit, as shown and described.

**DESCRIPTION**

FIG. 1 is a perspective view of image data communication equipment unit showing our new design; FIG. 2 is a front view thereof; FIG. 3 is a rear view thereof; FIG. 4 is a right side view thereof; FIG. 5 is a left side view thereof; FIG. 6 is a top plan view thereof; and, FIG. 7 is a bottom plan view thereof.

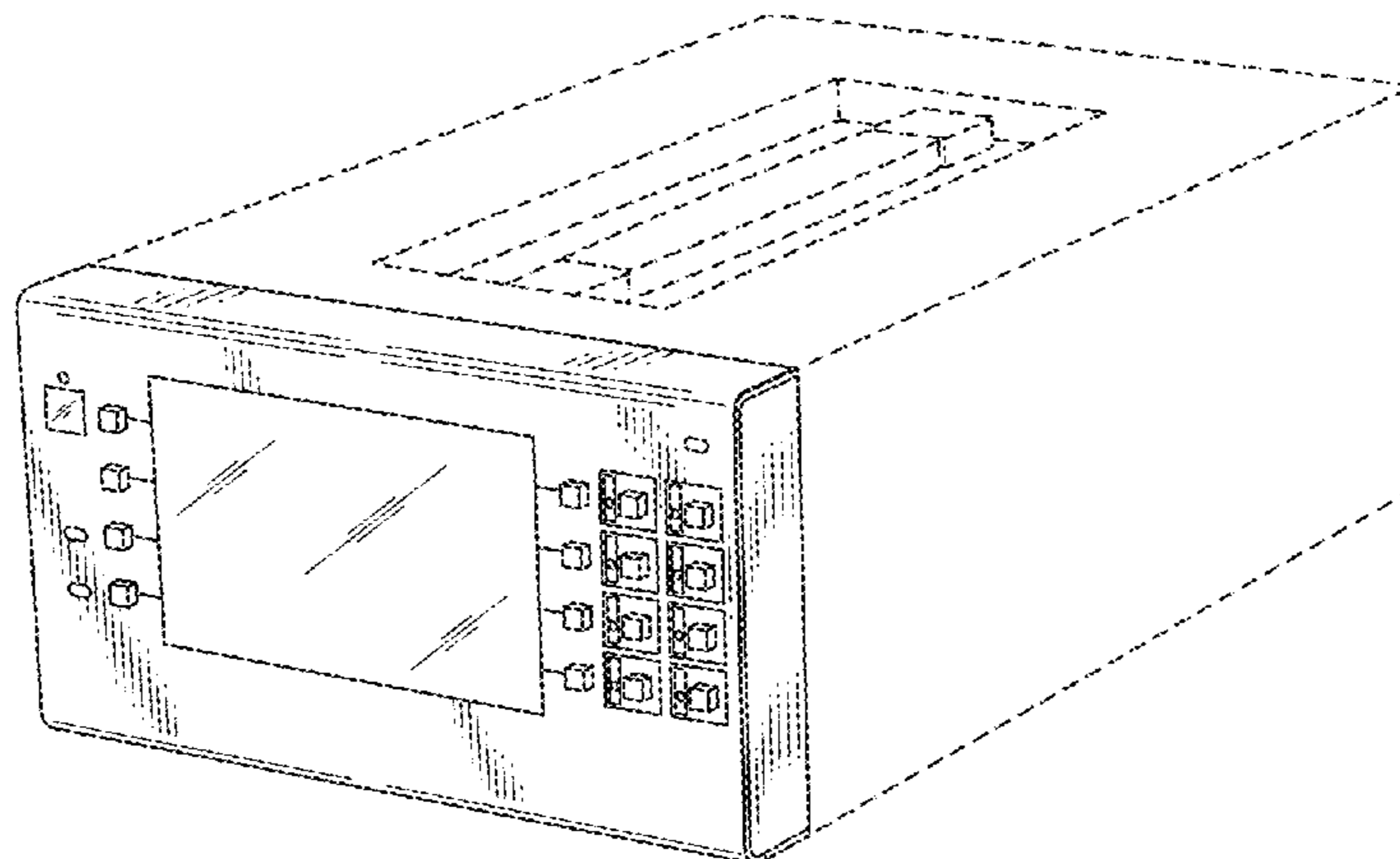
The broken lines in the drawing views show portions of the image data communication equipment unit that form no part of the claimed design.

(56) **References Cited**

**U.S. PATENT DOCUMENTS**

D285,066 S \* 8/1986 Liss et al. .... D13/177  
D304,937 S \* 12/1989 Sakuta ..... D14/313  
D331,200 S \* 11/1992 Garcia-Victoria ..... D10/65

**1 Claim, 4 Drawing Sheets**



(56)

References Cited

U.S. PATENT DOCUMENTS

D461,134 S \* 8/2002 Eckelberger ..... D10/65  
D462,951 S \* 9/2002 Storti et al. .... D14/257  
D543,474 S \* 5/2007 Edmonds ..... D10/65  
D559,241 S \* 1/2008 Paradise ..... D14/257  
D627,780 S \* 11/2010 Kuroda ..... D14/346  
D655,290 S \* 3/2012 Tompkin ..... D14/346  
D662,095 S \* 6/2012 Mack et al. .... D14/388  
D663,636 S \* 7/2012 Dobyys et al. .... D10/80  
D664,458 S \* 7/2012 Kreitzer et al. .... D10/80  
D671,021 S \* 11/2012 Dobyys et al. .... D10/80

FOREIGN PATENT DOCUMENTS

JP 1359163 5/2009  
JP 1363725 6/2009

KR 300597264.0004 \* 3/2010  
RU 00086386 \* 6/2012  
WO WOD062082-001 \* 10/2002

OTHER PUBLICATIONS

Oscilloscope/Spectrum Analyzer Combined. [online]. EEWeb, 2011  
[retrieved on Nov. 4, 2013, Printed to PDF on Dec. 16, 2013].  
Retrieved from the Internet: <URL: <http://www.eeweb.com/news/oscilloscope-spectrum-analyzer-combined>>.\*

Fluke 8808A Bench Multimeter. [online]. Cuthbertson Laird Group,  
2013 [retrieved on Nov. 5, 2013, Printed on to PDF on Dec. 16, 2013].  
Retrieved from the Internet: <URL: <http://www.cuthbertsonlaird.co.uk/Detail.asp?ProdID=1013>>.\*

\* cited by examiner

Fig. 1

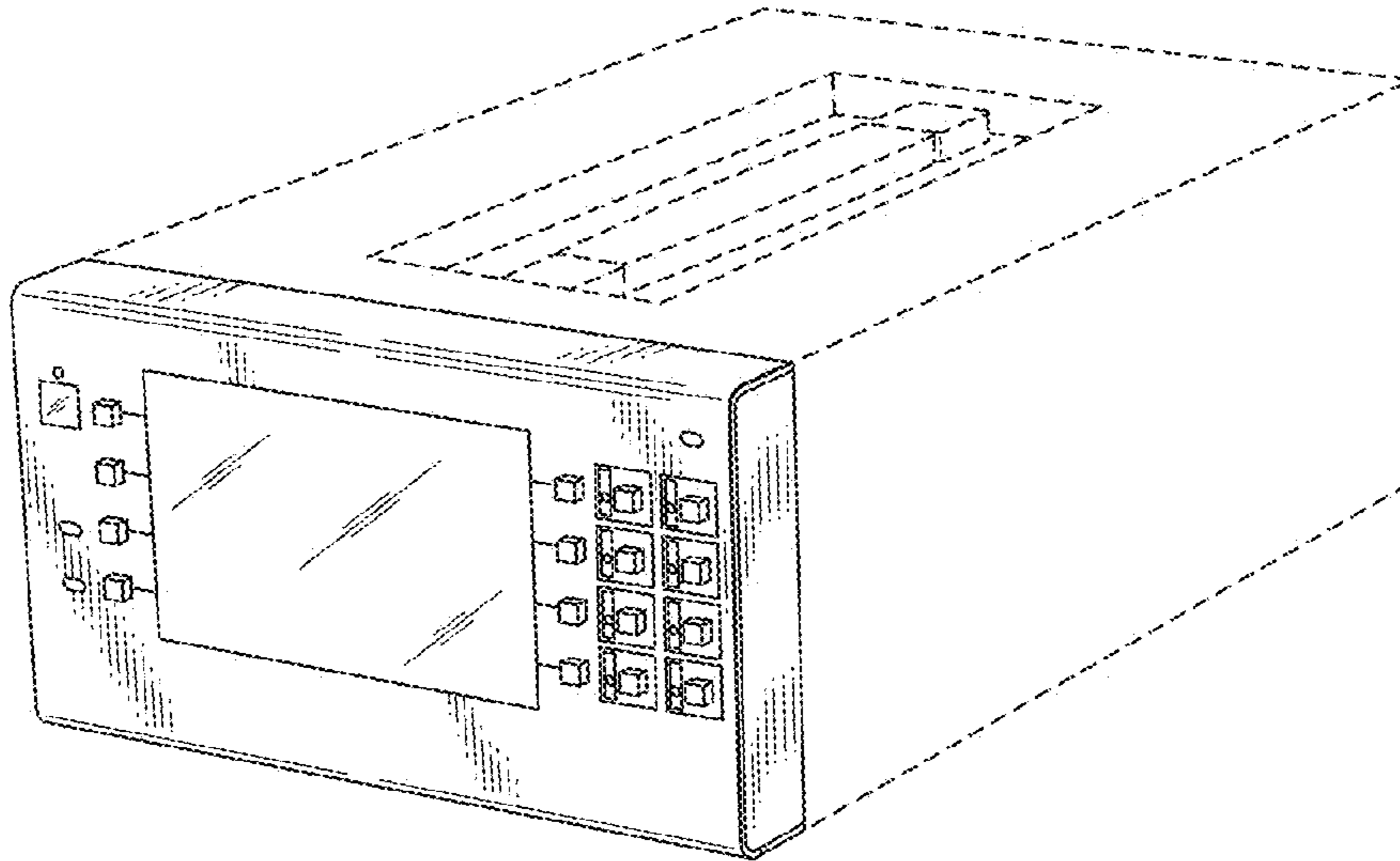


Fig. 2

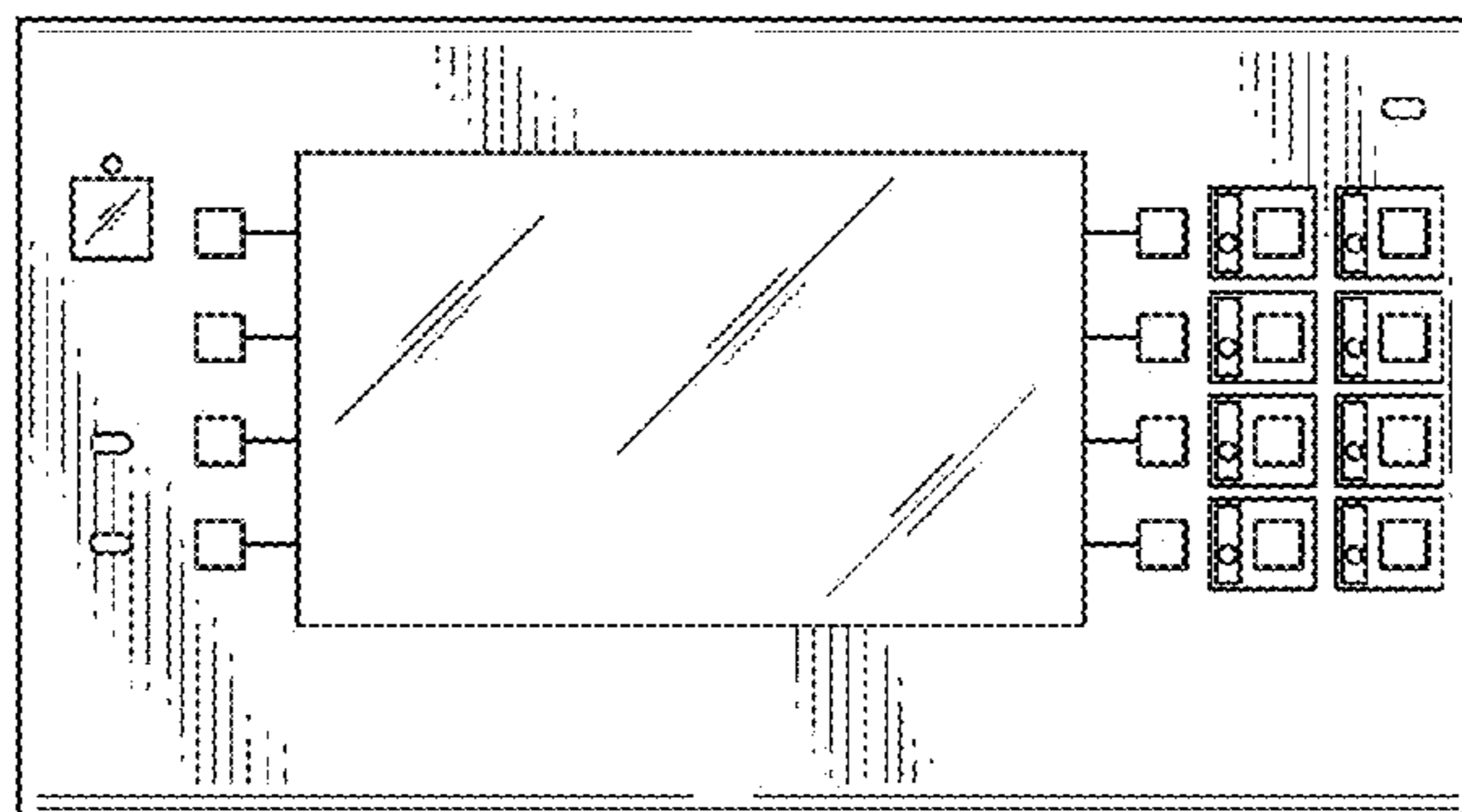


Fig. 3

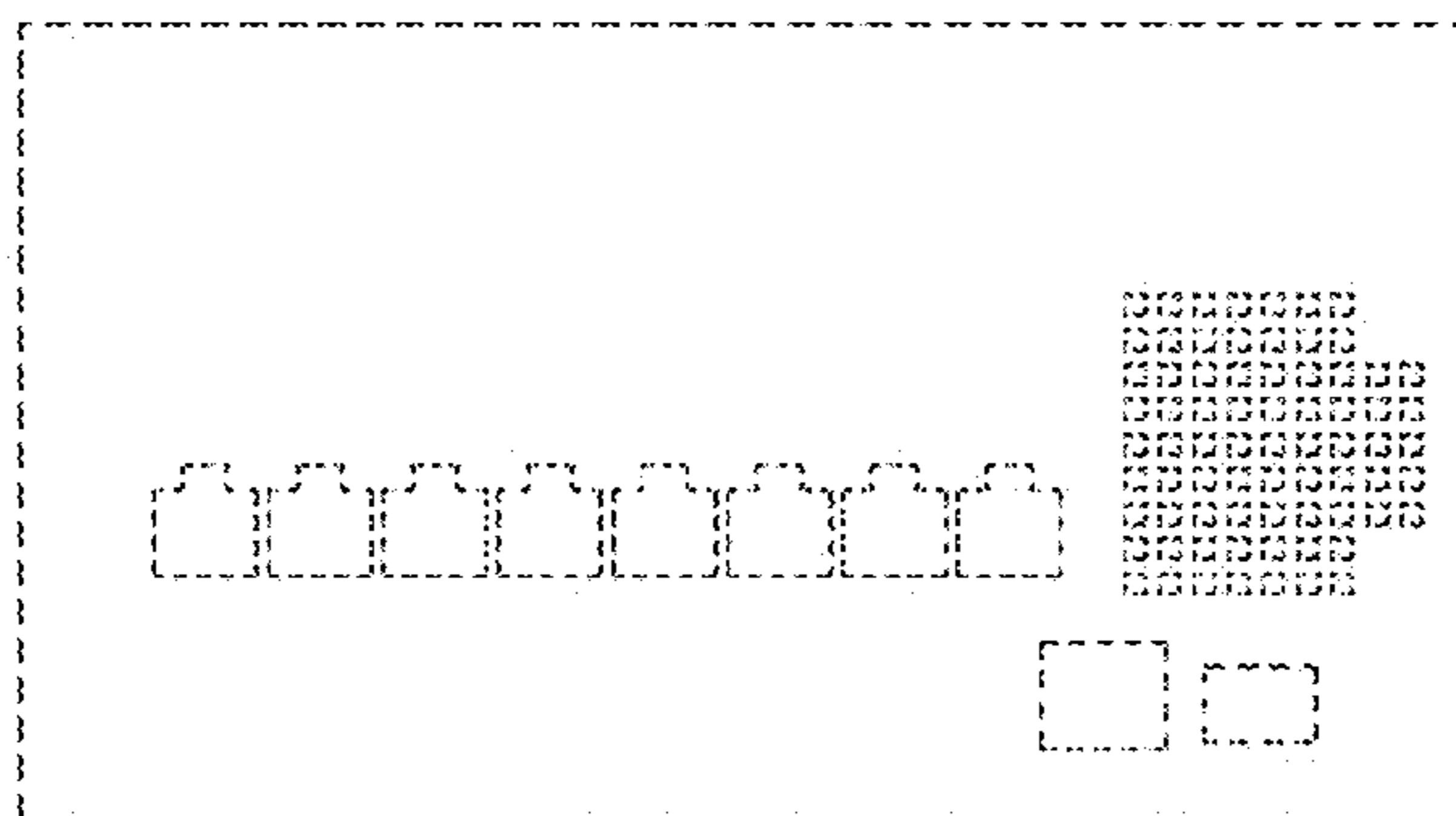


Fig.4



Fig.5



Fig. 6

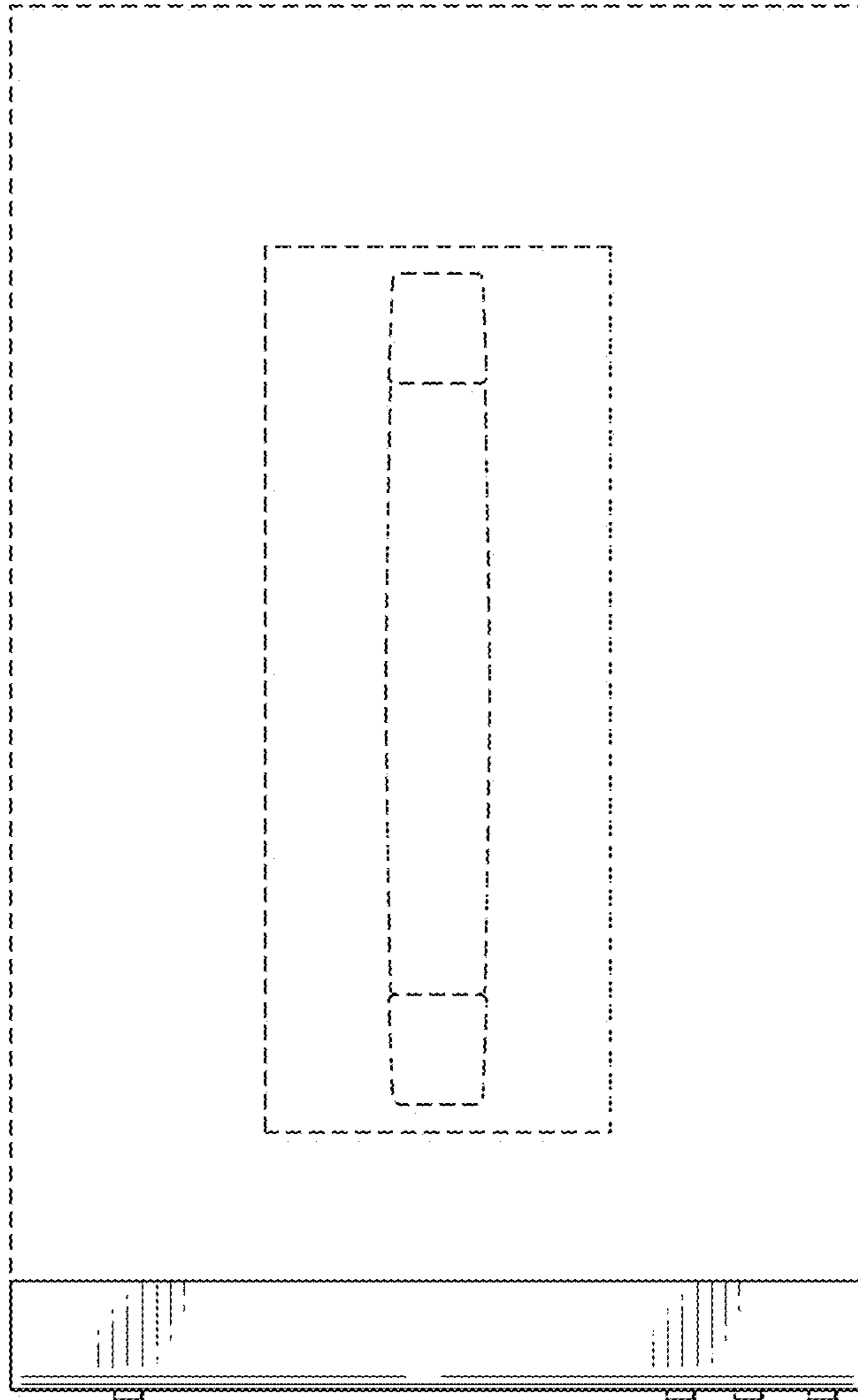


Fig. 7

