



US00D706261S

(12) **United States Design Patent**
Sharma et al.

(10) **Patent No.:** **US D706,261 S**
(45) **Date of Patent:** **** Jun. 3, 2014**

(54) **MOBILE COMPUTING DEVICE**
(75) Inventors: **Sameer Sharma**, Santa Clara, CA (US);
Gadi Amit, San Mateo, CA (US);
Yoshikazu Hoshino, San Francisco, CA
(US); **Chadwick Harber**, San Francisco,
CA (US); **Daniel Clifton**, San Francisco,
CA (US); **Kenneth Jasinski**, South San
Francisco, CA (US)

(73) Assignee: **Intel Corporation**, Santa Clara, CA
(US)

(**) Term: **14 Years**

(21) Appl. No.: **29/411,619**

(22) Filed: **Jan. 24, 2012**

(51) **LOC (10) Cl.** **14-02**

(52) **U.S. Cl.**
USPC **D14/341**

(58) **Field of Classification Search**
USPC D14/341-347, 138 C, 137, 138, 138.1,
D14/138 AA, 138 R, 138 G, 496, 203.1,
D14/203.3, 203.4, 203.5, 203.7, 432, 129,
D14/130, 439, 448, 147, 218, 248, 389, 388,
D14/315-318; D21/324, 331; D19/59-60;
D10/65, 104; D18/6, 7; 455/556.1,
455/575.1, 575.3, 575.4; 345/169,
345/156-157, 168, 173; 341/22, 23;
361/679.27

See application file for complete search history.

(56) **References Cited**

U.S. PATENT DOCUMENTS

3,286,850 A * 11/1966 Ruhnke 211/105.1
4,326,727 A * 4/1982 Rock 280/851
D358,376 S * 5/1995 Poon D14/315
D386,751 S 11/1997 Michael, III
D399,526 S 10/1998 Brady
D430,871 S 9/2000 Chu et al.
D436,951 S 1/2001 Andresen

6,693,367 B1 2/2004 Schmeisser et al.
D493,456 S 7/2004 Ogasawara
D494,948 S * 8/2004 Cho D14/138 AB
D516,578 S 3/2006 Matsuoka

(Continued)

FOREIGN PATENT DOCUMENTS

WO 2013112137 1/2013

OTHER PUBLICATIONS

International Search Report and Written Opinion received for PCT
Patent Application No. PCT/US2012/022403, mailed Oct. 25, 2012,
9 pages.

Primary Examiner — Barbara Fox

(74) *Attorney, Agent, or Firm* — Kacvinsky Daisak Bluni
PLLC

(57) **CLAIM**

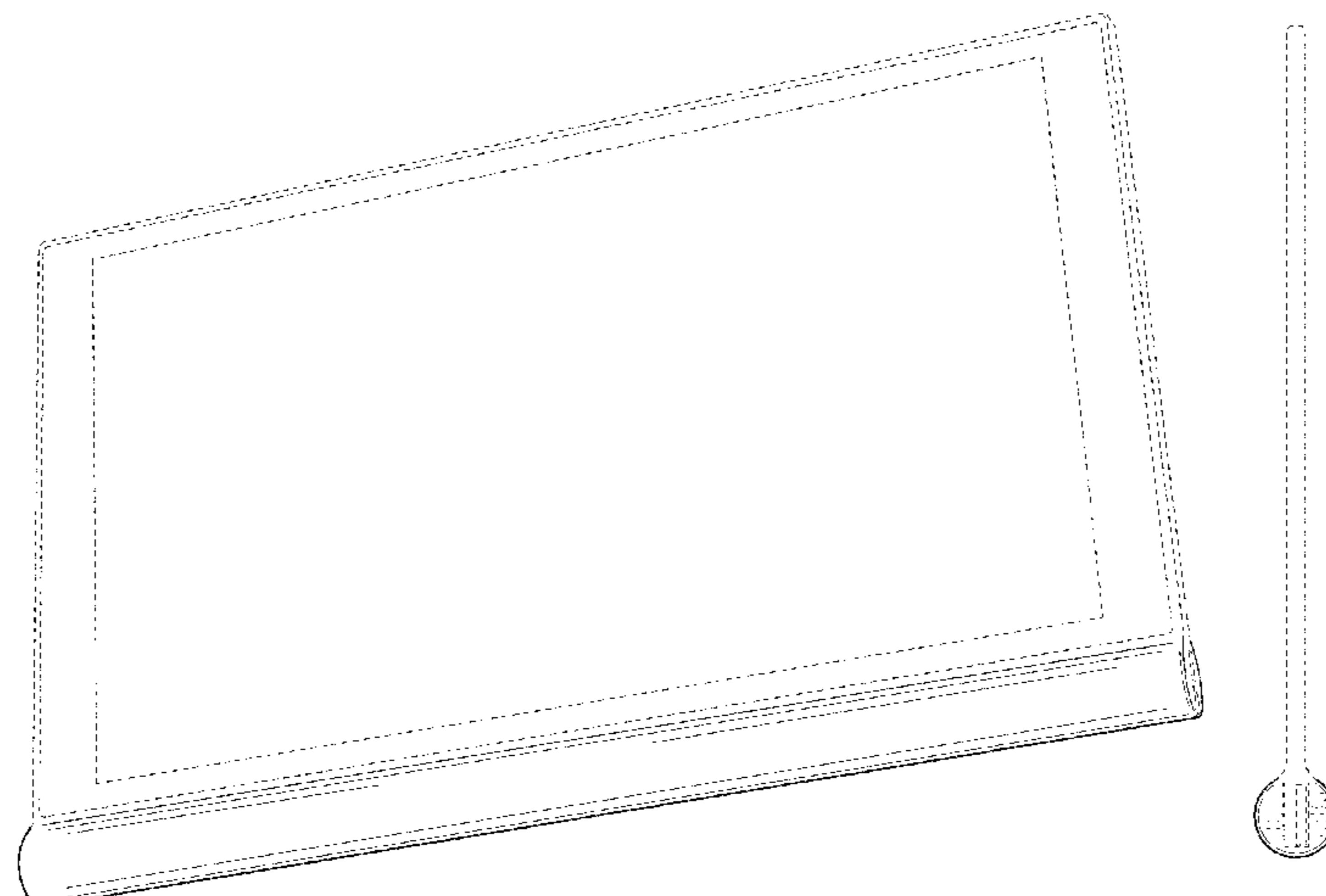
The ornamental design for a mobile computing device, sub-
stantially as shown and described.

DESCRIPTION

FIG. 1 is a perspective view of a mobile computing device
showing the new design;
FIG. 2 is a front elevation view of the mobile computing
device of FIG. 1;
FIG. 3 is a rear elevation view of the mobile computing device
of FIG. 1;
FIG. 4 is an elevation view from the right side of the mobile
computing device of FIG. 1;
FIG. 5 is an elevation view from the left side of the mobile
computing device of FIG. 1;
FIG. 6 is a top plan view of the mobile computing device of
FIG. 1; and,
FIG. 7 is a bottom plan view of the mobile computing device
of FIG. 1.

The broken lines shown in the drawings represent portions of
the mobile computing device which form no part of the
claimed design.

1 Claim, 5 Drawing Sheets



(56)

References Cited

U.S. PATENT DOCUMENTS

| | | | | | | | |
|--------------|---------|-------------------|------------|-------------------|---------|-----------------------|------------|
| D519,967 S * | 5/2006 | Wei et al. | D14/138 AB | D636,388 S * | 4/2011 | Kawase | D14/315 |
| D524,306 S * | 7/2006 | Yun et al. | D14/315 | D639,802 S * | 6/2011 | Brooks | D14/315 |
| D580,433 S | 11/2008 | Chiang et al. | | D640,686 S * | 6/2011 | Daniel | D14/327 |
| D591,285 S * | 4/2009 | Lu | D14/327 | D641,748 S * | 7/2011 | Kawase | D14/315 |
| D593,085 S * | 5/2009 | Behar et al. | D14/327 | D643,842 S | 8/2011 | Marshall et al. | |
| D593,086 S * | 5/2009 | Behar et al. | D14/327 | 8,009,421 B2 * | 8/2011 | Misawa | 361/679.55 |
| D593,091 S | 5/2009 | Behar et al. | | D659,693 S | 5/2012 | TerMeer et al. | |
| D611,467 S | 3/2010 | Gou | | D661,301 S * | 6/2012 | Kim et al. | D14/327 |
| D614,602 S * | 4/2010 | Yoo | D14/203.7 | 8,289,688 B2 * | 10/2012 | Behar et al. | 361/679.3 |
| D615,538 S * | 5/2010 | Huang et al. | D14/315 | D675,613 S | 2/2013 | Chu et al. | |
| 7,748,634 B1 | 7/2010 | Zehr et al. | | 8,379,382 B2 | 2/2013 | Marshall et al. | |
| D624,539 S | 9/2010 | Tsai | | D691,132 S | 10/2013 | Sharma et al. | |
| D626,124 S | 10/2010 | Chyan et al. | | 2003/0148647 A1 * | 8/2003 | Hisamatsu et al. | 439/258 |
| D628,569 S | 12/2010 | Guo | | 2006/0012565 A1 | 1/2006 | Shiozawa et al. | |
| D630,355 S * | 1/2011 | Gulker | D26/37 | 2009/0219682 A1 * | 9/2009 | Chien et al. | 361/679.55 |
| | | | | 2012/0099264 A1 | 4/2012 | Degner et al. | |
| | | | | 2012/0106047 A1 | 5/2012 | Chu et al. | |

* cited by examiner

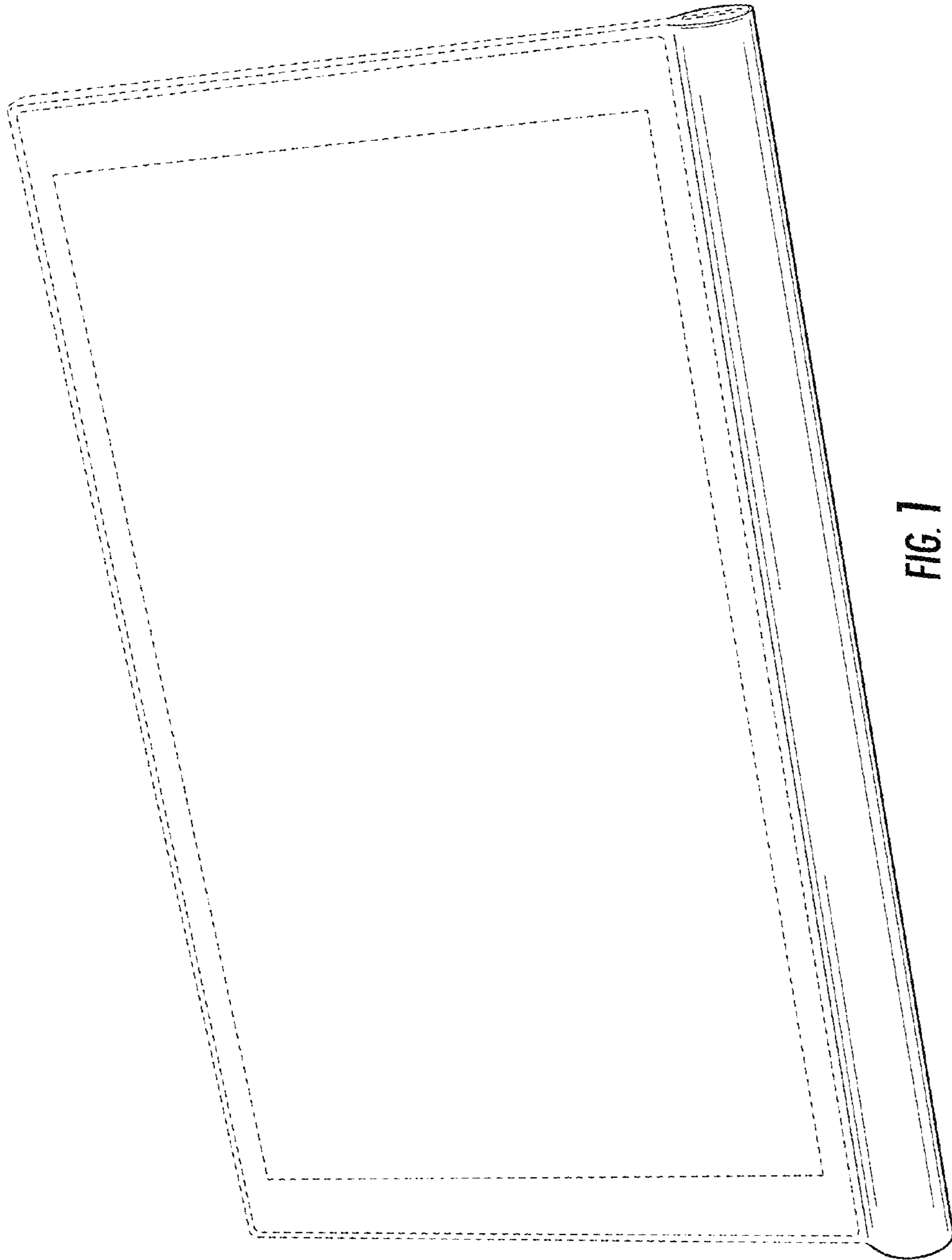


FIG. 1

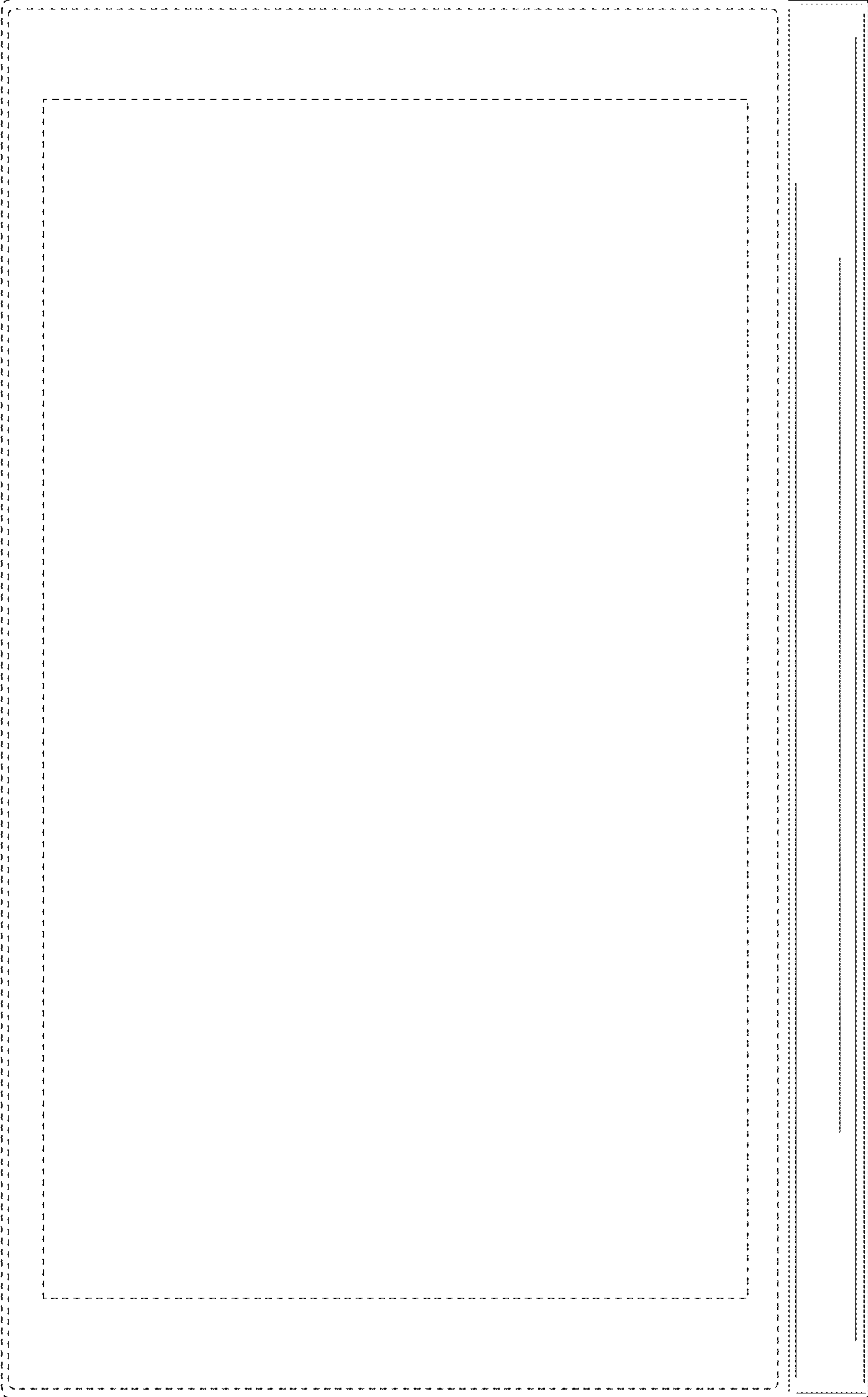


FIG. 2

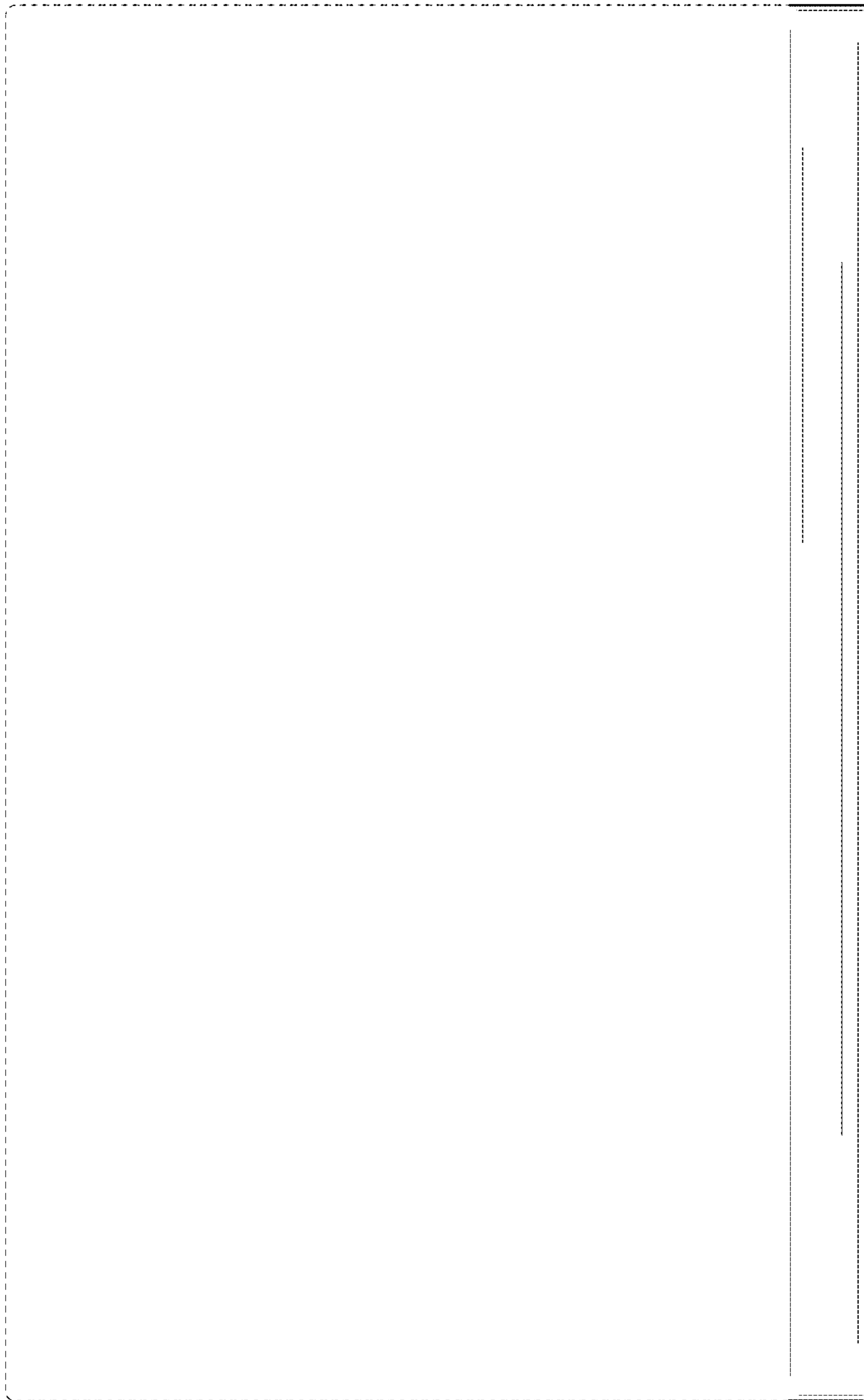


FIG. 3

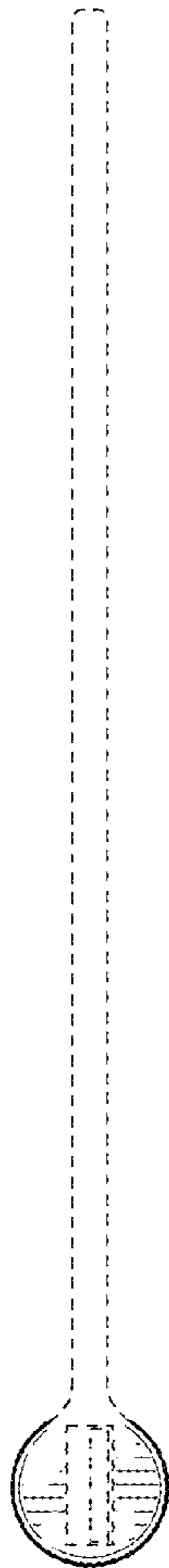


FIG. 4

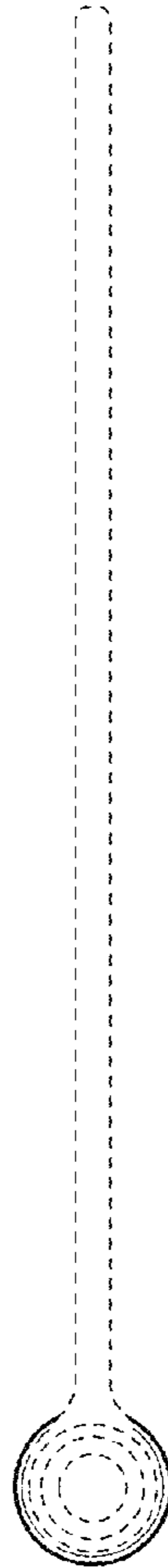


FIG. 5

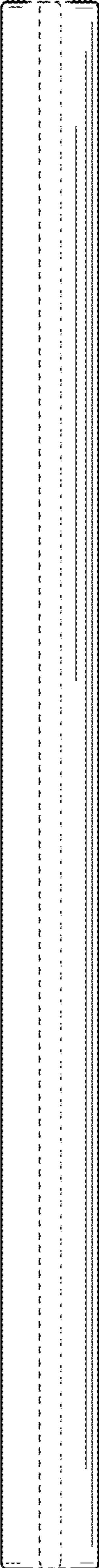


FIG. 6



FIG. 7