



US00D706255S

(12) **United States Design Patent**  
**Akana et al.**

(10) **Patent No.:** **US D706,255 S**  
(45) **Date of Patent:** **\*\* Jun. 3, 2014**

(54) **COVER**

(71) Applicant: **Apple Inc.**, Cupertino, CA (US)  
(72) Inventors: **Jody Akana**, San Francisco, CA (US);  
**Bartley K. Andre**, Palo Alto, CA (US);  
**Jeremy Bataillou**, San Francisco, CA (US);  
**Daniel J. Coster**, San Francisco, CA (US);  
**Daniele De Iuliis**, San Francisco, CA (US);  
**M. Evans Hankey**, San Francisco, CA (US);  
**Richard P. Howarth**, San Francisco, CA (US);  
**Jonathan P. Ive**, San Francisco, CA (US);  
**Duncan Robert Kerr**, San Francisco, CA (US);  
**Shin Nishibori**, Kailua, HI (US);  
**Matthew Dean Rohrbach**, San Francisco, CA (US);  
**Peter Russell-Clarke**, San Francisco, CA (US);  
**Christopher J. Stringer**, Woodside, CA (US);  
**Eugene Antony Whang**, San Francisco, CA (US);  
**Rico Zörkendörfer**, San Francisco, CA (US)

(73) Assignee: **Apple Inc.**, Cupertino, CA (US)

(\*\*) Term: **14 Years**

(21) Appl. No.: **29/438,866**

(22) Filed: **Dec. 4, 2012**

**Related U.S. Application Data**

(63) Continuation of application No. 29/363,175, filed on Jun. 5, 2010, now Pat. No. Des. 671,930.

(51) **LOC (10) Cl.** ..... **14-13**

(52) **U.S. Cl.**  
USPC ..... **D14/250**

(58) **Field of Classification Search**  
USPC ..... D14/250–253, 440, 203.3–203.7, 217,  
D14/496, 248, 238.1, 218; D3/201, 218,  
D3/269, 301, 273, 303; D13/103,  
D13/107–108; 220/4.02; 248/309.1;  
361/679.56; 379/426, 433.11, 455;  
455/575.1, 575.8; 190/100; 206/305,  
206/320, 701

See application file for complete search history.

(56) **References Cited**

U.S. PATENT DOCUMENTS

D300,831 S \* 4/1989 Jenkins et al. .... D14/218  
D357,918 S \* 5/1995 Doria ..... D14/218

(Continued)

FOREIGN PATENT DOCUMENTS

JP D1241383 6/2005

OTHER PUBLICATIONS

iPhone 4 Metal Element Case with Screen Protector & Back Plate (Silver), <URL:http://www.fadbus.com/wholesale/iphone-4-metal-element-case-with-screen-protector-back-plate-silver.html>, retrieved from internet Jan. 11, 2012.\*

(Continued)

*Primary Examiner* — Carla Jobe Wright

(74) *Attorney, Agent, or Firm* — Sterne, Kessler, Goldstein & Fox PLLC

(57) **CLAIM**

The ornamental design for a cover, as shown and described.

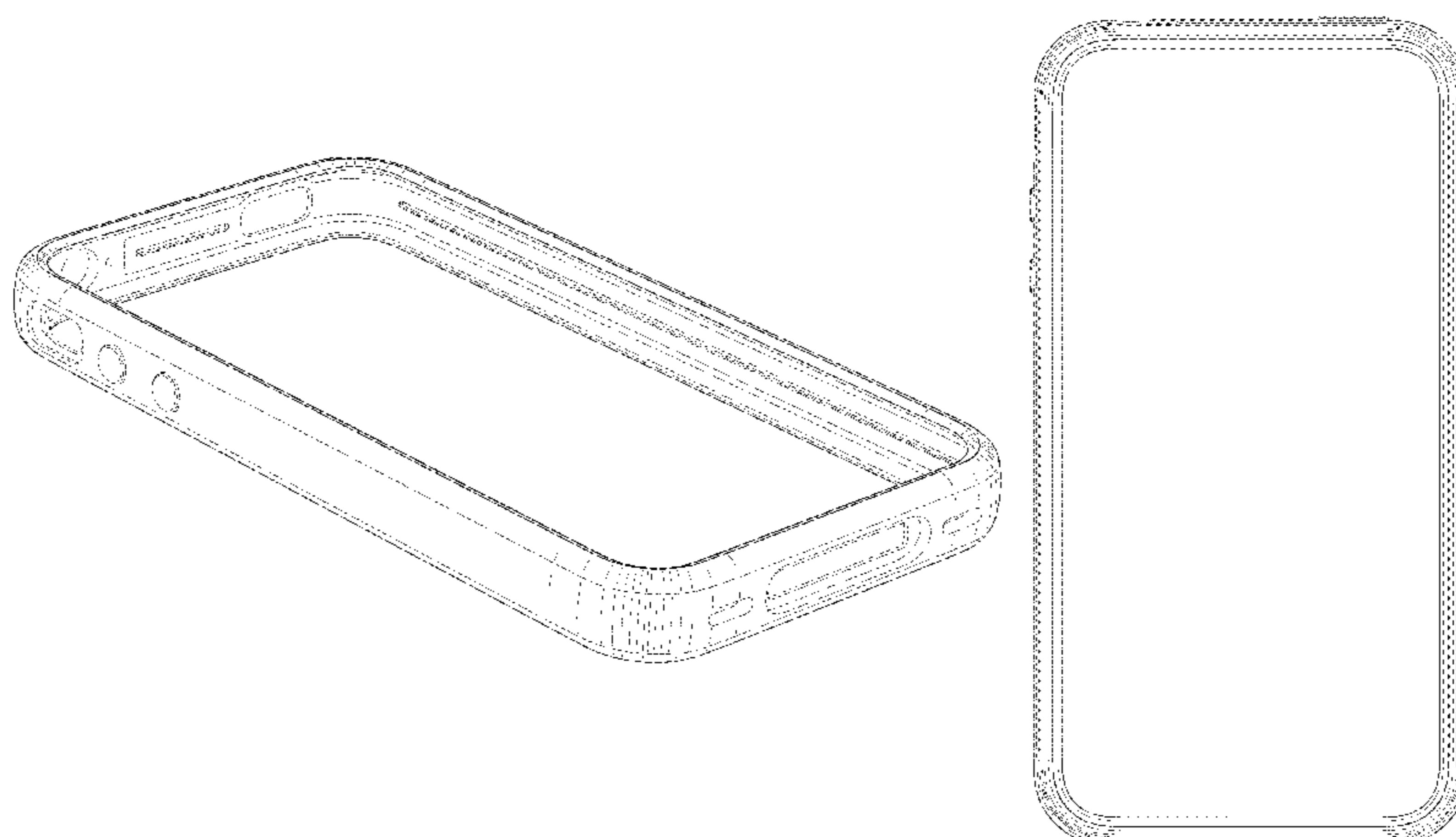
**DESCRIPTION**

FIG. 1 is a bottom front perspective view of a cover showing our new design;  
FIG. 2 is a bottom rear perspective view thereof;  
FIG. 3 is a top rear perspective view thereof;  
FIG. 4 is a top front perspective view thereof;  
FIG. 5 is a front view thereof;  
FIG. 6 is a top view thereof;  
FIG. 7 is a bottom view thereof;  
FIG. 8 is left side view thereof; and,  
FIG. 9 is a right side view thereof.

The shade lines in the Figures show contour and not surface ornamentation.

The solid line that forms the claimed innermost edge of the front of the cover and the solid line that forms the claimed innermost edge of the rear of the cover are boundaries of the claimed design. All surfaces and broken lines on the interior of the cover that are between these two solid lines form no part of the claimed design. The broken lines on the exterior of the cover that form the outermost edges of the openings represent boundaries of the claimed design and form no part of the claimed design. All other broken lines on the exterior of the cover depict unclaimed environment and form no part of the claimed design.

**1 Claim, 7 Drawing Sheets**



(56)

References Cited

U.S. PATENT DOCUMENTS

D506,937	S *	7/2005	Lee et al.	.....	D10/65
D527,176	S	8/2006	Andre et al.		
7,330,741	B2 *	2/2008	Park et al.	.....	455/575.1
D574,819	S *	8/2008	Andre et al.	.....	D3/269
D575,056	S *	8/2008	Tan	.....	D3/218
D584,738	S *	1/2009	Kim et al.	.....	D14/496
D589,953	S *	4/2009	Turner	.....	D14/248
D601,530	S *	10/2009	Park et al.	.....	D14/138 AA
7,660,560	B2 *	2/2010	Zuo et al.	.....	455/90.3
D619,361	S	7/2010	Andre et al.		
D623,180	S *	9/2010	Diebel	.....	D14/250
D624,304	S *	9/2010	Danze et al.	.....	D3/201
D627,778	S *	11/2010	Akana et al.	.....	D14/341
D644,218	S *	8/2011	Akana et al.	.....	D14/341
D647,519	S *	10/2011	Rothbaum et al.	.....	D14/250
8,051,980	B2 *	11/2011	Tai et al.	.....	206/320
8,112,130	B2	2/2012	Mittleman et al.		
2009/0111543	A1 *	4/2009	Tai et al.	.....	455/575.8
2009/0247244	A1 *	10/2009	Mittleman et al.	.....	455/575.1
2011/0297578	A1 *	12/2011	Stiehl et al.	.....	206/701

OTHER PUBLICATIONS

iPhone FAQ News Article: "Apple Offering Free iPhone 4 Bumper Cases After Sep. 30", published Sep. 18, 2010, <URL:http://www.iphonefaq.org/archives/971061>, retrieved from internet Jan. 12, 2012.\*

Review of Apple iPhone 4 Bumpers, published Mar. 9, 2011, <URL:http://www.ilounge.com/index.php/reviews/entry/apple-iphone-4-bumper/>, retrieved from internet Jan. 12, 2012.\*

YouTube Review of Apple Bumper Case for the iPhone 4, uploaded by theiphoneczar on Jun. 25, 2010, <URL:http://www.youtube.com/watch?v=vpQ15WnICvY>, retrieved from internet Jan. 12, 2012.\*

Review of Tiger Design Blade Aluminum iPhone 4 Bumper Case, posted on Dec. 16, 2010, <URL:http://www.gadgetmac.com/gadgetmac/2010/12/16/tiger-design-blade-aluminum-iphone-4-bumper-case.html>, retrieved from internet on Jan. 12, 2012.\*

Crystal Bumpers for iPhone 4, <URL:http://www.alibaba.com/product-gs/334675708/Crystal\_Bumpers\_for\_iPhone\_4\_PayPal/showimage.html>, retrieved from internet Jan. 12, 2012.\*

\* cited by examiner

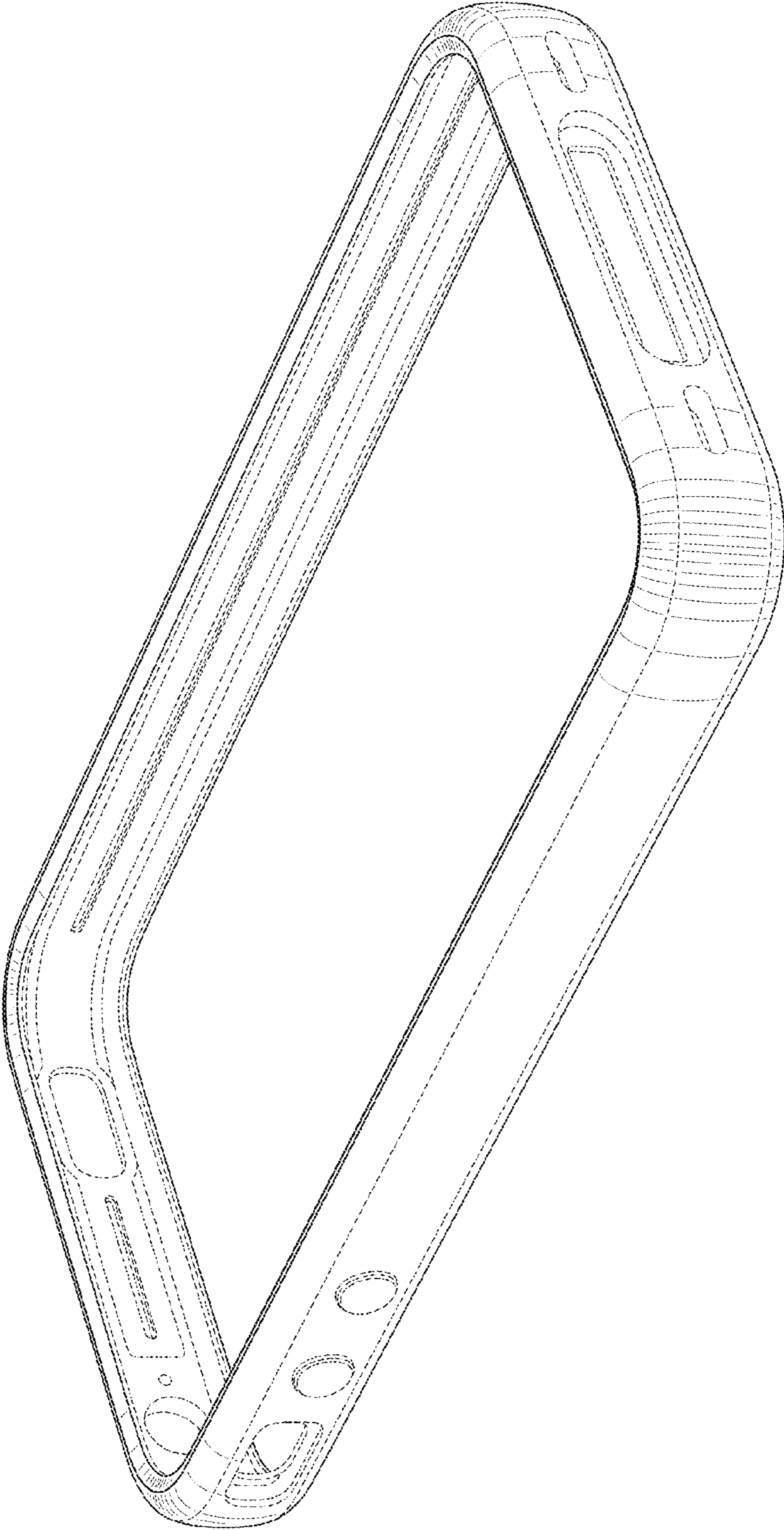


FIG. 1

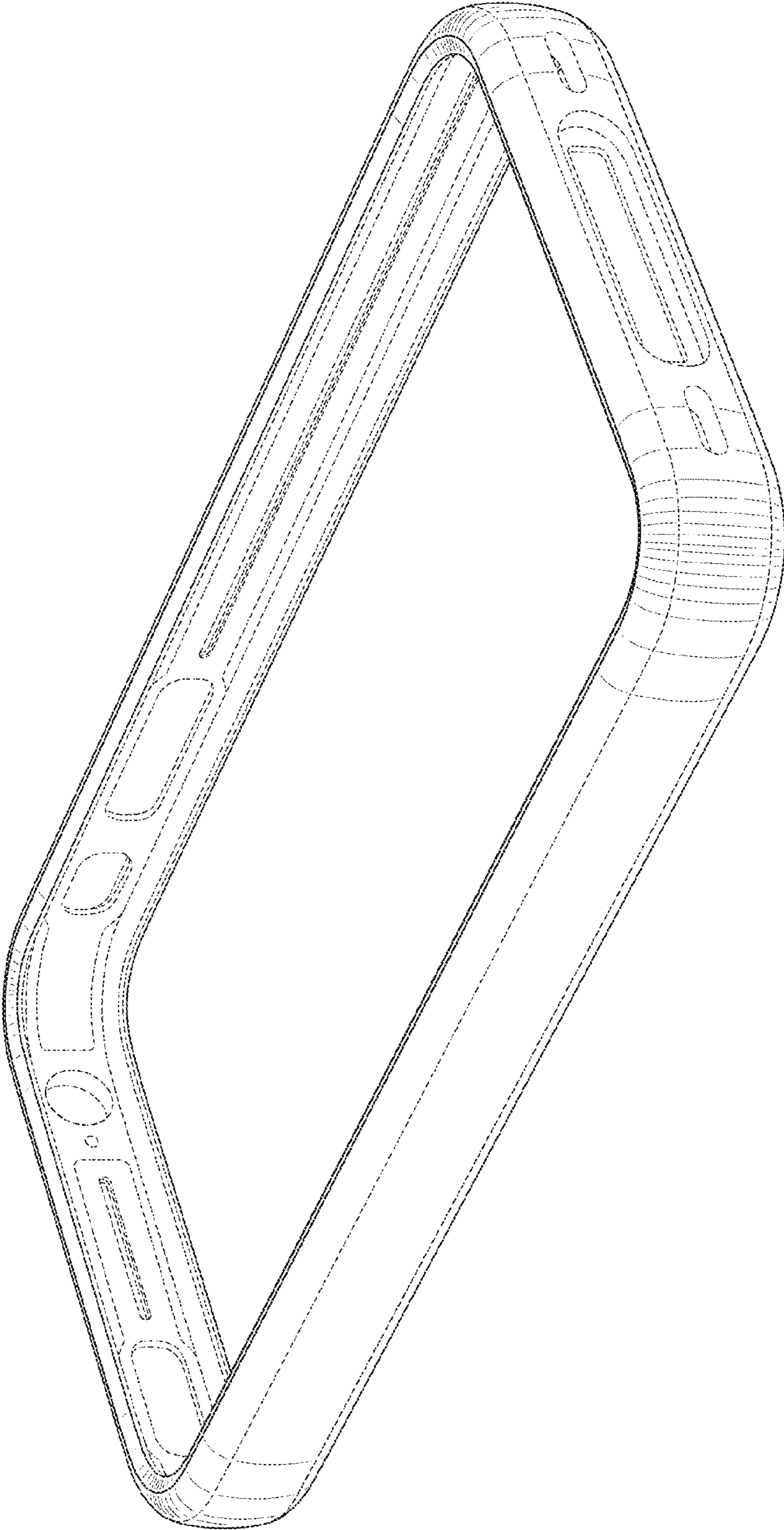


FIG. 2

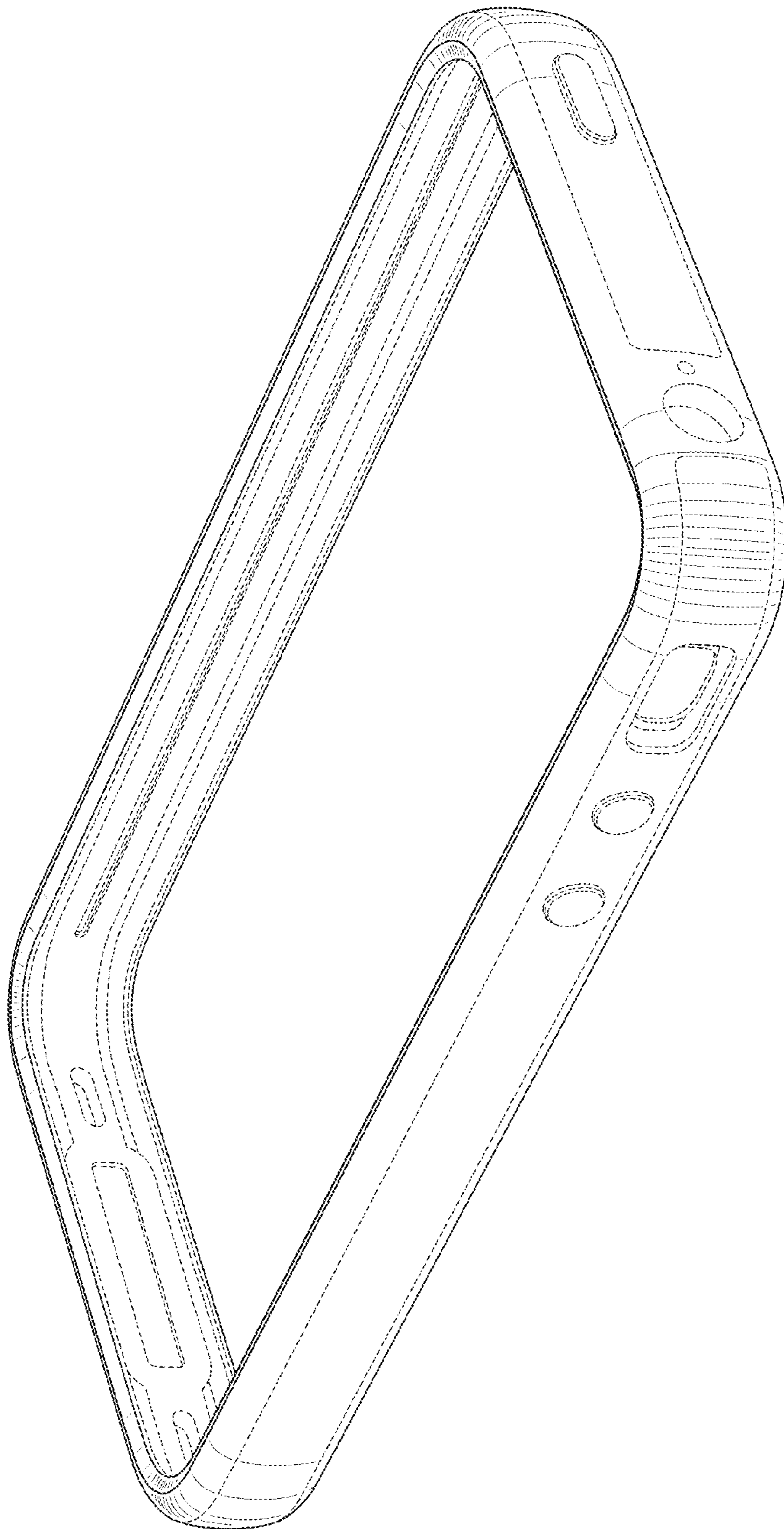


FIG. 3

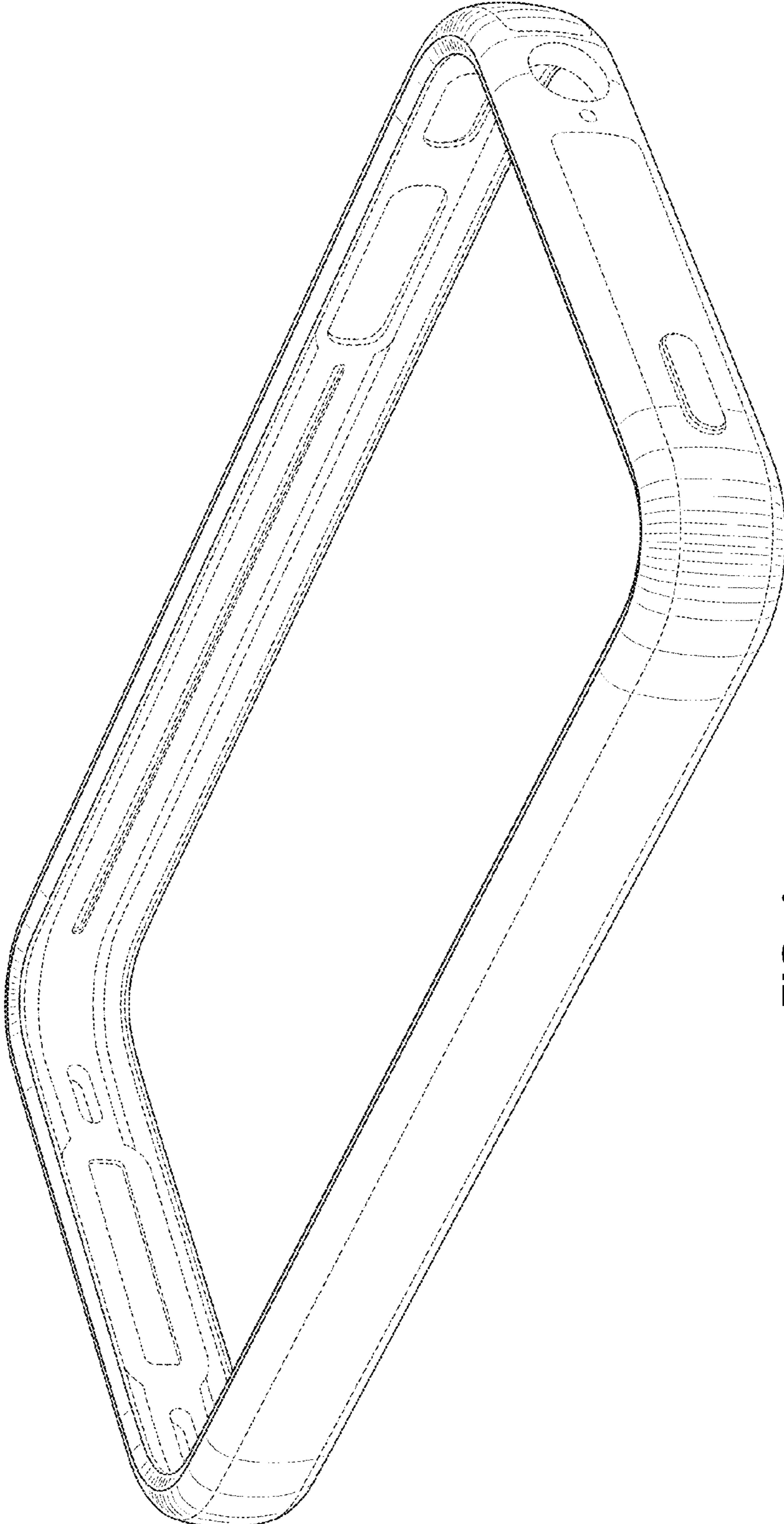


FIG. 4

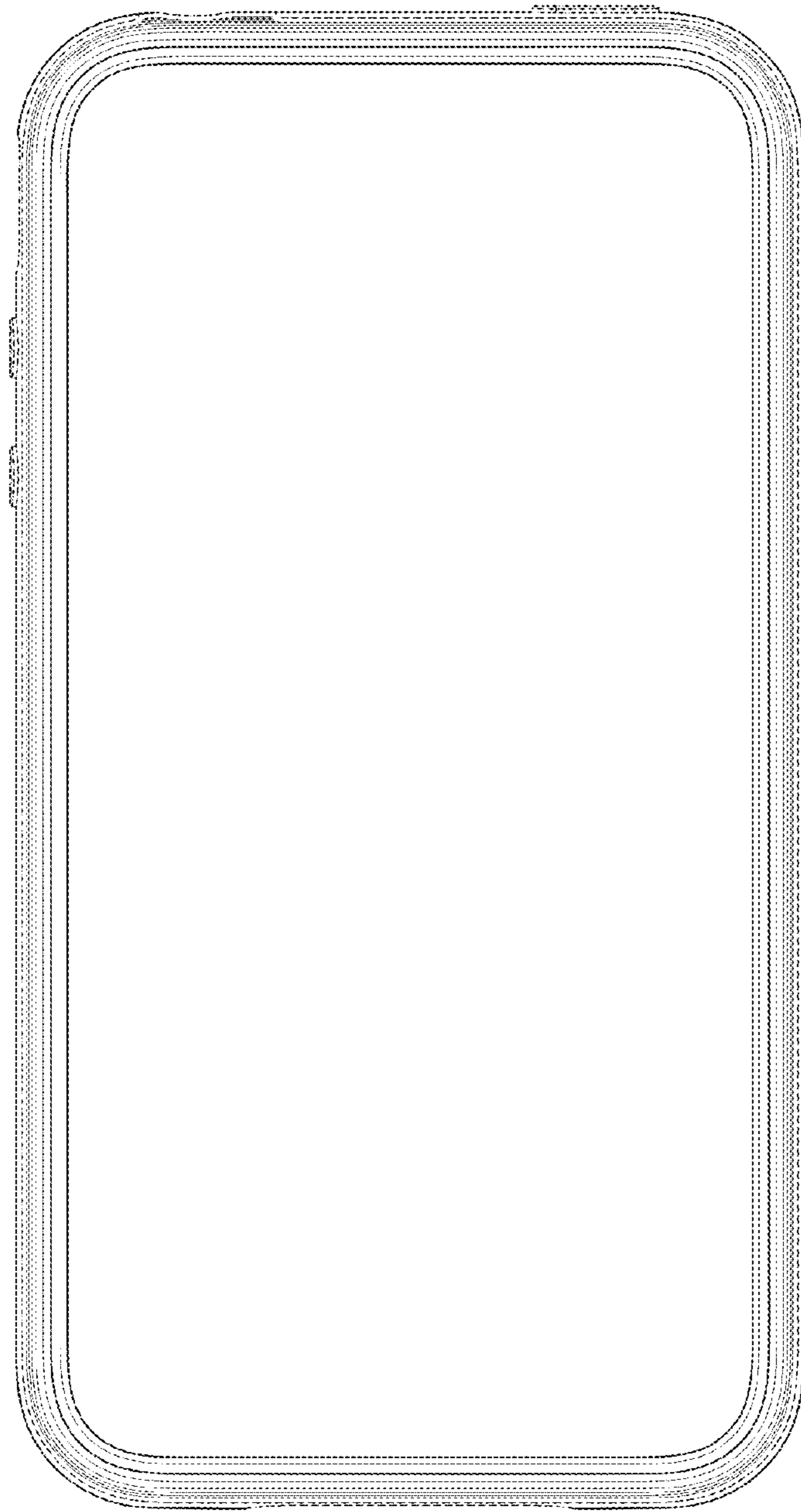


FIG. 5

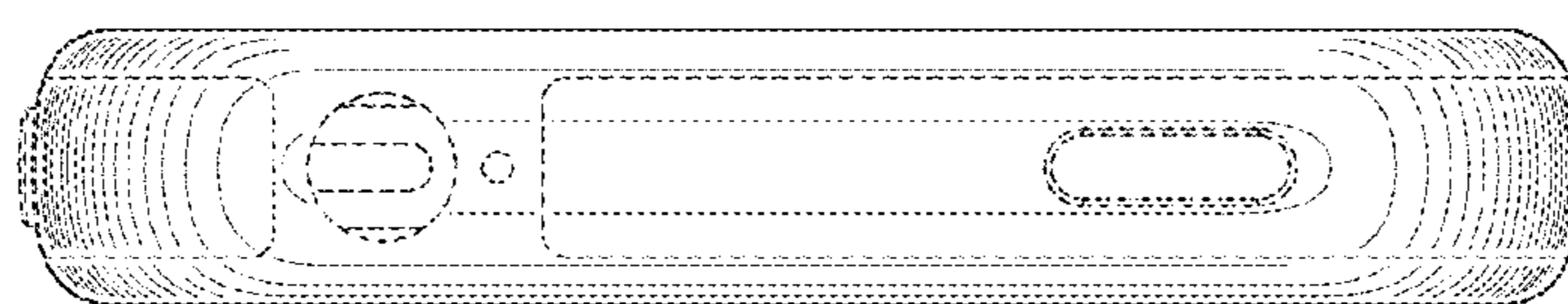


FIG. 6

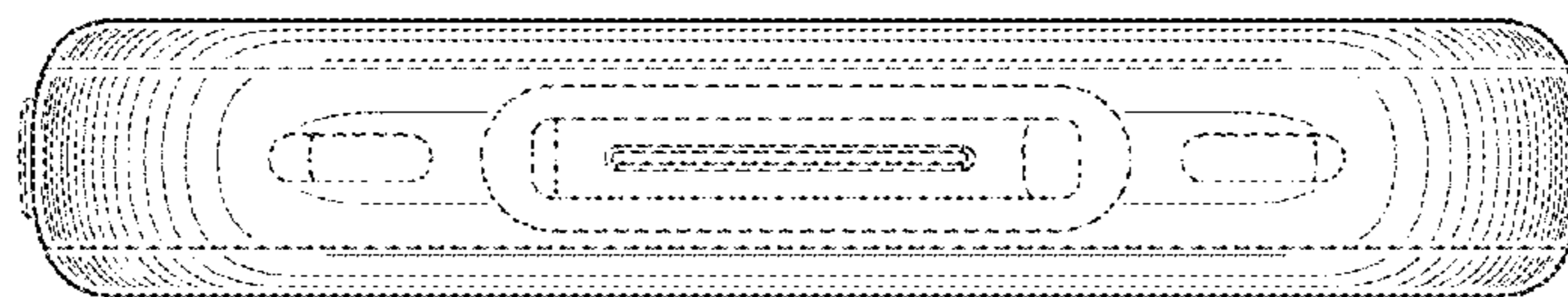


FIG. 7



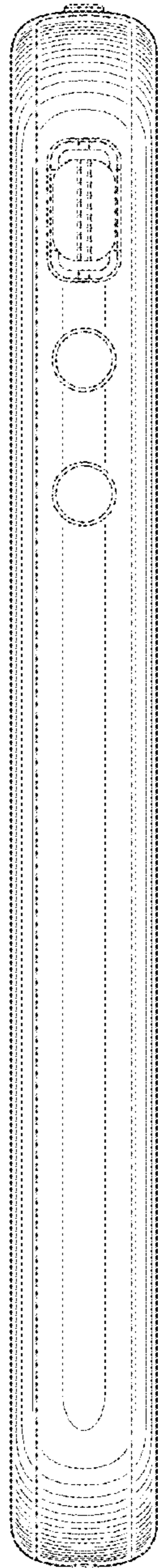


FIG. 8

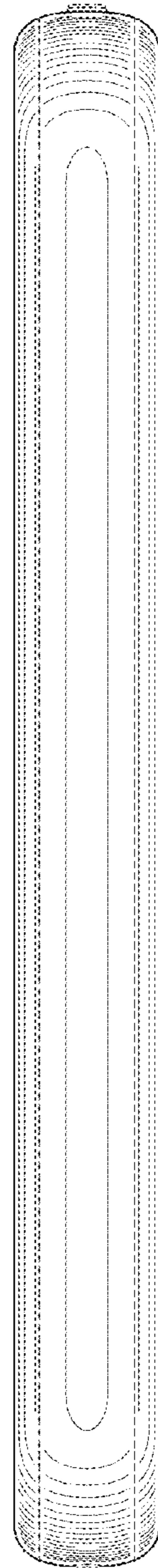


FIG. 9