



US00D706254S

(12) **United States Design Patent**  
**Chang**

(10) **Patent No.:** **US D706,254 S**  
(45) **Date of Patent:** **\*\* Jun. 3, 2014**

(54) **PROTECTIVE CASE KICKSTAND**  
(71) Applicant: **David S Chang**, Houston, TX (US)  
(72) Inventor: **David S Chang**, Houston, TX (US)  
(\*\*) Term: **14 Years**  
(21) Appl. No.: **29/436,013**

(22) Filed: **Oct. 31, 2012**  
(51) **LOC (10) Cl.** ..... **14-03**  
(52) **U.S. Cl.**  
USPC ..... **D14/250**; D14/217  
(58) **Field of Classification Search**  
USPC ..... D14/217, 238.1, 248, 250, 251, 269,  
D14/440, 496; D3/247, 249, 269, 271, 273,  
D3/294, 201, 303, 301; 248/309.1, 371,  
248/176.3, 668; 361/679.56, 679.3, 679.29,  
361/816  
See application file for complete search history.

(56) **References Cited**  
**U.S. PATENT DOCUMENTS**  
7,301,759 B2 \* 11/2007 Hsiung ..... 361/679.27  
D559,230 S \* 1/2008 Griffin et al. .... D14/217  
(Continued)

**FOREIGN PATENT DOCUMENTS**  
KR 1020120055127 \* 5/2012 ..... A47G 1/06

**OTHER PUBLICATIONS**  
“MYBAT Natural Grey/Black TUFF Hybrid Phone Protector Cover (with Stand)” [online]. [retrieved on Oct. 30, 2013] Valor Communication, Inc, 2009-2013 [online], Retrieved from the Internet: <<https://www.2valor.com/product/productinfo.aspx?pid=73296>>.\*  
(Continued)

*Primary Examiner* — Cathron Brooks  
*Assistant Examiner* — Ethiene Salgado-Rodriguez

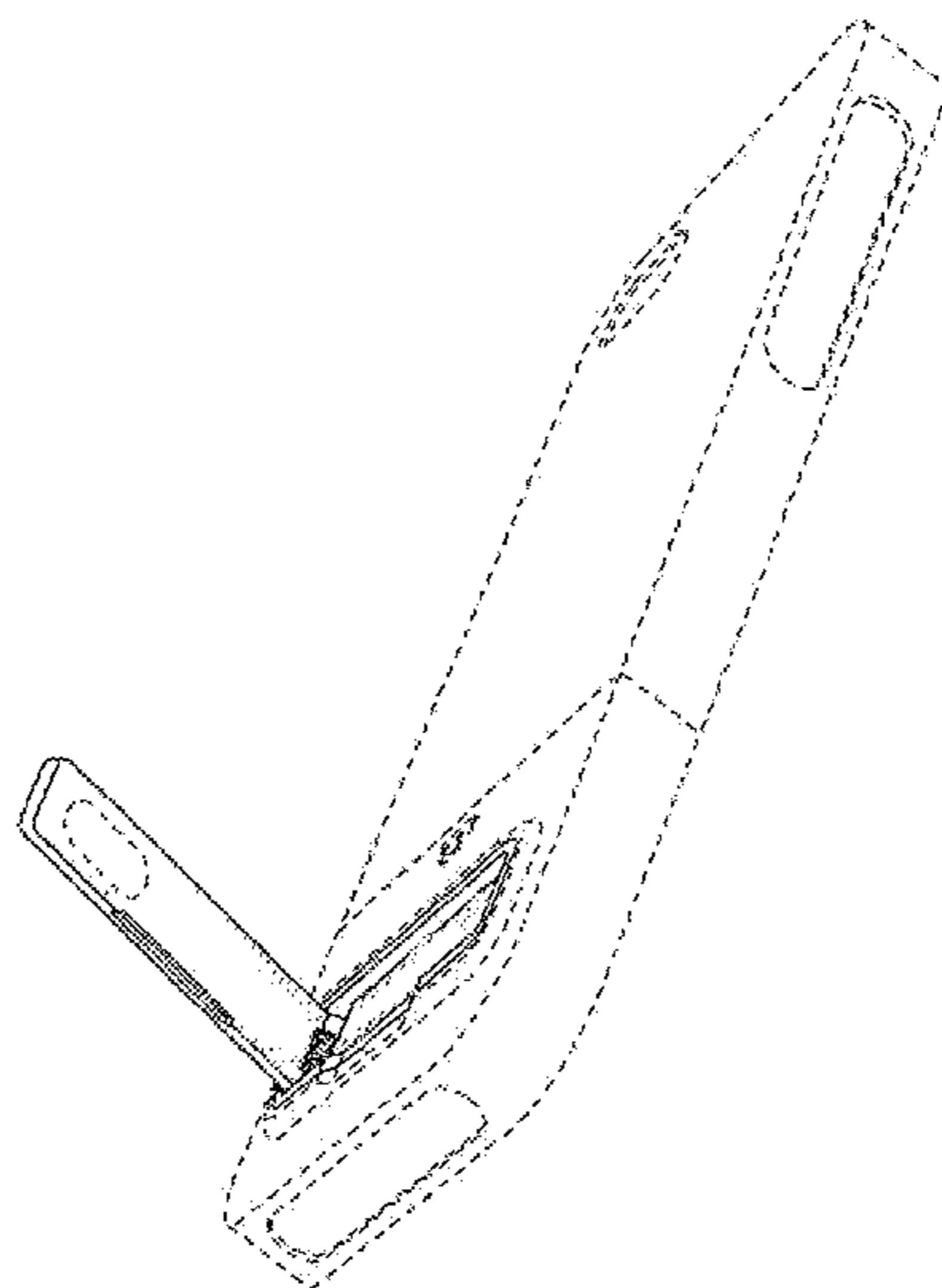
(74) *Attorney, Agent, or Firm* — John K. Buche; Scott Compton; Buche & Associates, P.C.

(57) **CLAIM**  
The ornamental design for a protective case kickstand, as shown and described.

**DESCRIPTION**

FIG. 1 is a perspective view of a protective case kickstand showing my new design, the kickstand is disposed along the back side of the protective case and shown in an open position;  
FIG. 2 is another perspective view of the kickstand in an open position;  
FIG. 3 is another perspective view of the kickstand in a closed position;  
FIG. 4 is a left side view of the kickstand in an open position;  
FIG. 5 is a right side view of the kickstand in an open position;  
FIG. 6 is a top view of the kickstand in an open position;  
FIG. 7 is a bottom view of the kickstand in an open position;  
FIG. 8 is front view of the kickstand in an open position;  
FIG. 9 is a top view of the kickstand in a closed position;  
FIG. 10 is a bottom view of the kickstand in a closed position;  
FIG. 11 is a front view of the kickstand in a closed position;  
FIG. 12 is another perspective view of the kickstand in an open position;  
FIG. 13 is another perspective view of the kickstand in an open position;  
FIG. 14 is another perspective view of the kickstand in a closed position;  
FIG. 15 is another perspective view of the kickstand in an open position; and,  
FIG. 16 is another perspective view of the kickstand in a closed position.  
The broken lines shown in the drawings represent portions of the kickstand, and environmental features, and form no part of the claimed design.

**1 Claim, 5 Drawing Sheets**



(56)

**References Cited**

U.S. PATENT DOCUMENTS

D583,572 S \* 12/2008 Zhai et al. .... D6/308  
D590,386 S \* 4/2009 Leith et al. .... D14/248  
D663,294 S \* 7/2012 Buxton ..... D14/250  
8,243,428 B2 \* 8/2012 Fu ..... 361/679.21  
D679,271 S \* 4/2013 Liu ..... D14/250  
8,514,568 B2 \* 8/2013 Qiao et al. .... 361/679.59  
D690,305 S \* 9/2013 Wen ..... D14/440  
8,522,965 B1 \* 9/2013 Hsiung ..... 206/45.24  
2011/0164358 A1 \* 7/2011 Duan et al. .... 361/679.01

2012/0106054 A1\* 5/2012 Royz et al. .... 361/679.3  
2013/0077211 A1\* 3/2013 Wang ..... 361/679.01

OTHER PUBLICATIONS

“Seidio Active Case (with metal kickstand) for HTC One X”, Published on YouTube.com on May 16, 2012 [online]. [retrieved on Nov. 14, 2013] Uploaded by MobileNations Gear [online], Retrieved from the Internet: <<http://www.youtube.com/watch?v=W5EGPgGw7Hw>>.\*

\* cited by examiner

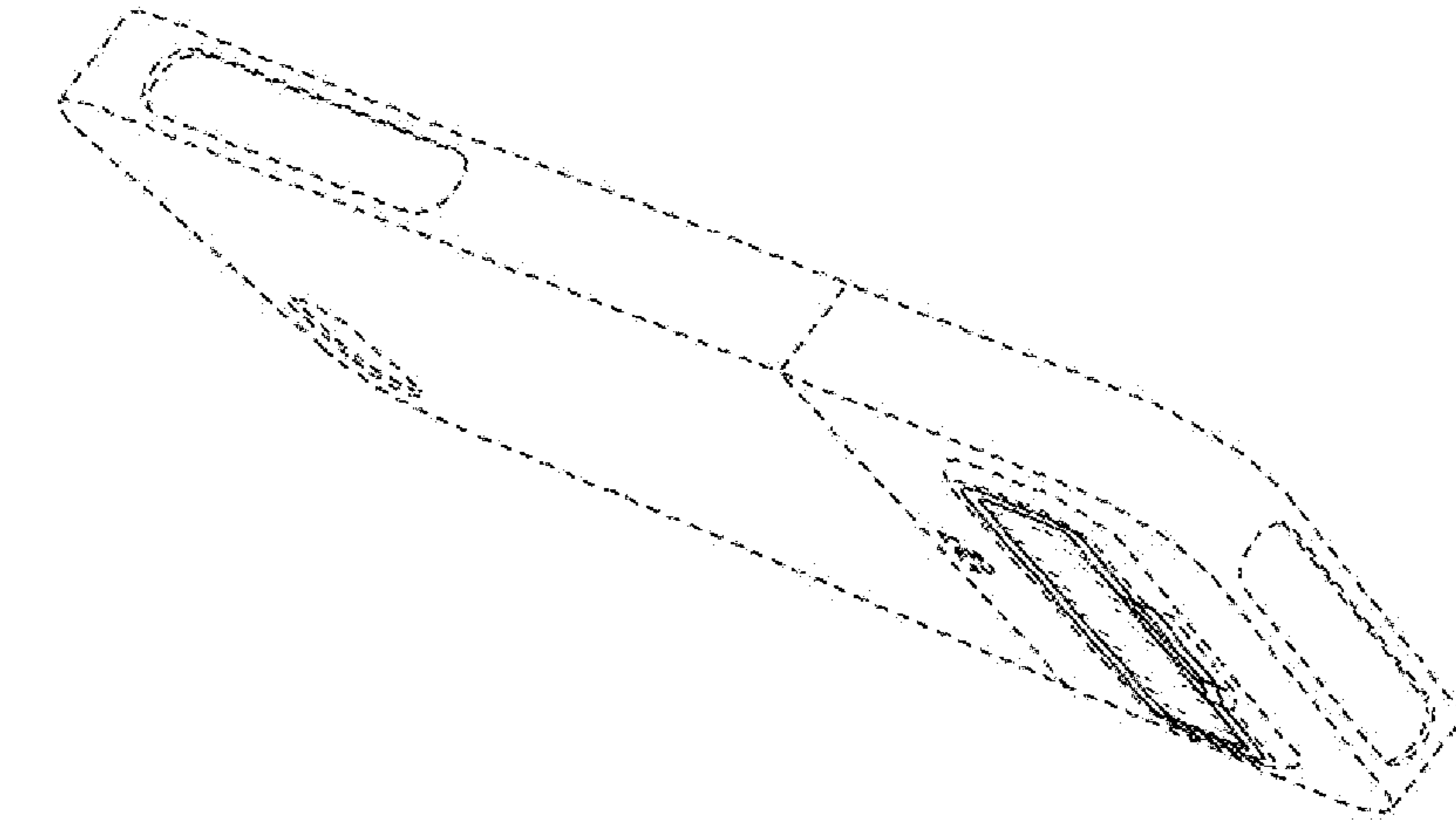


FIG. 1

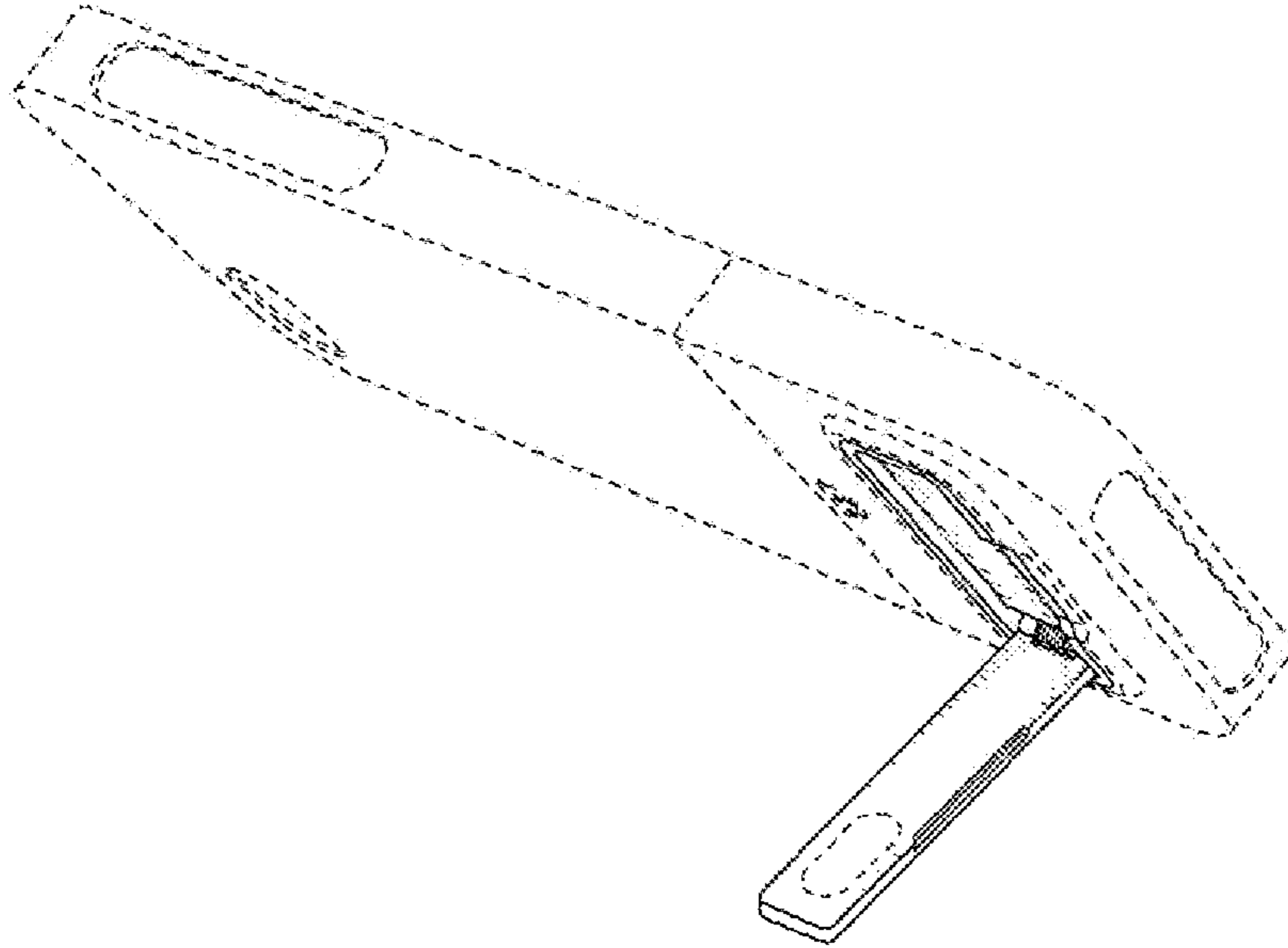


FIG. 2

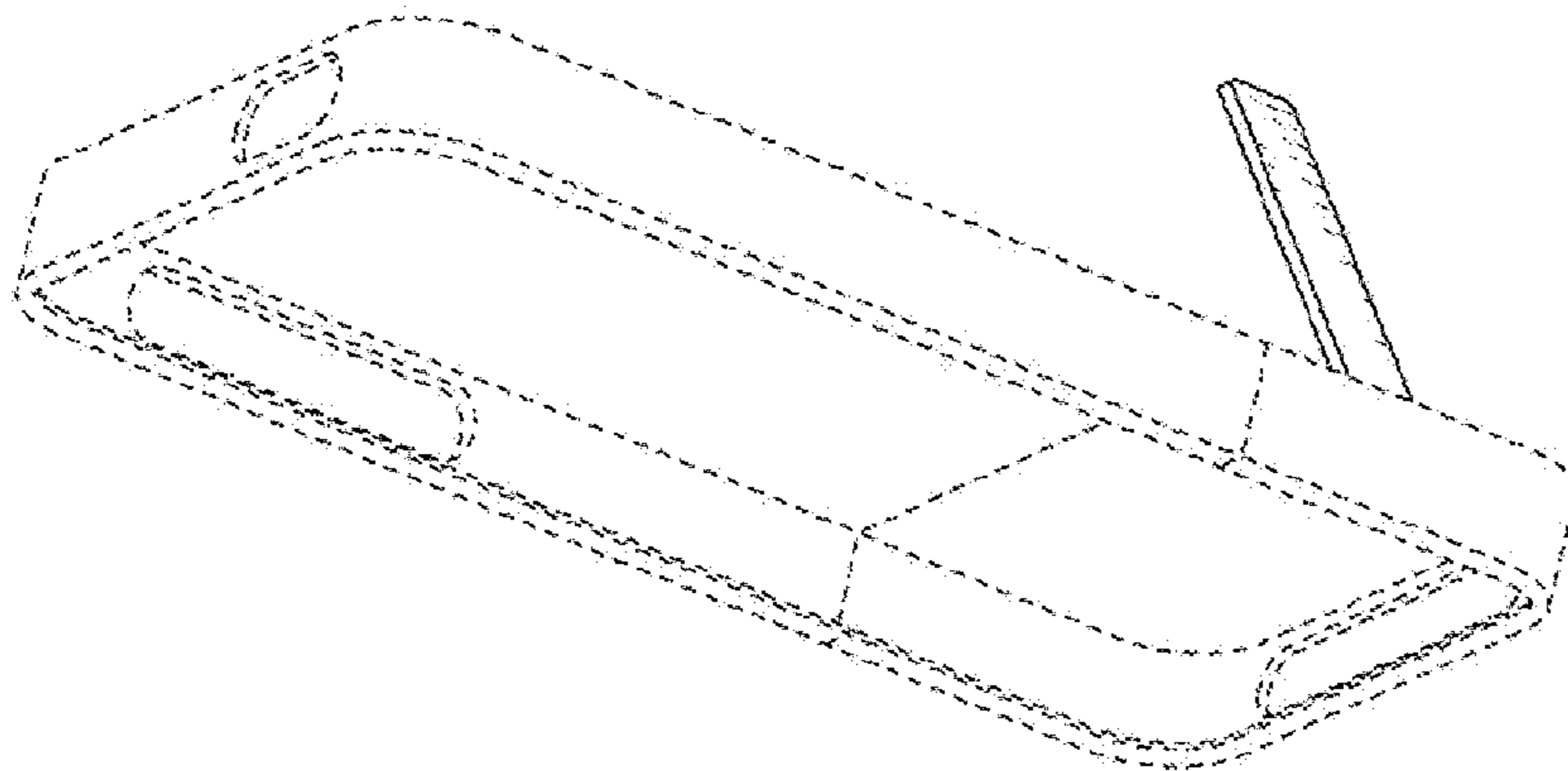
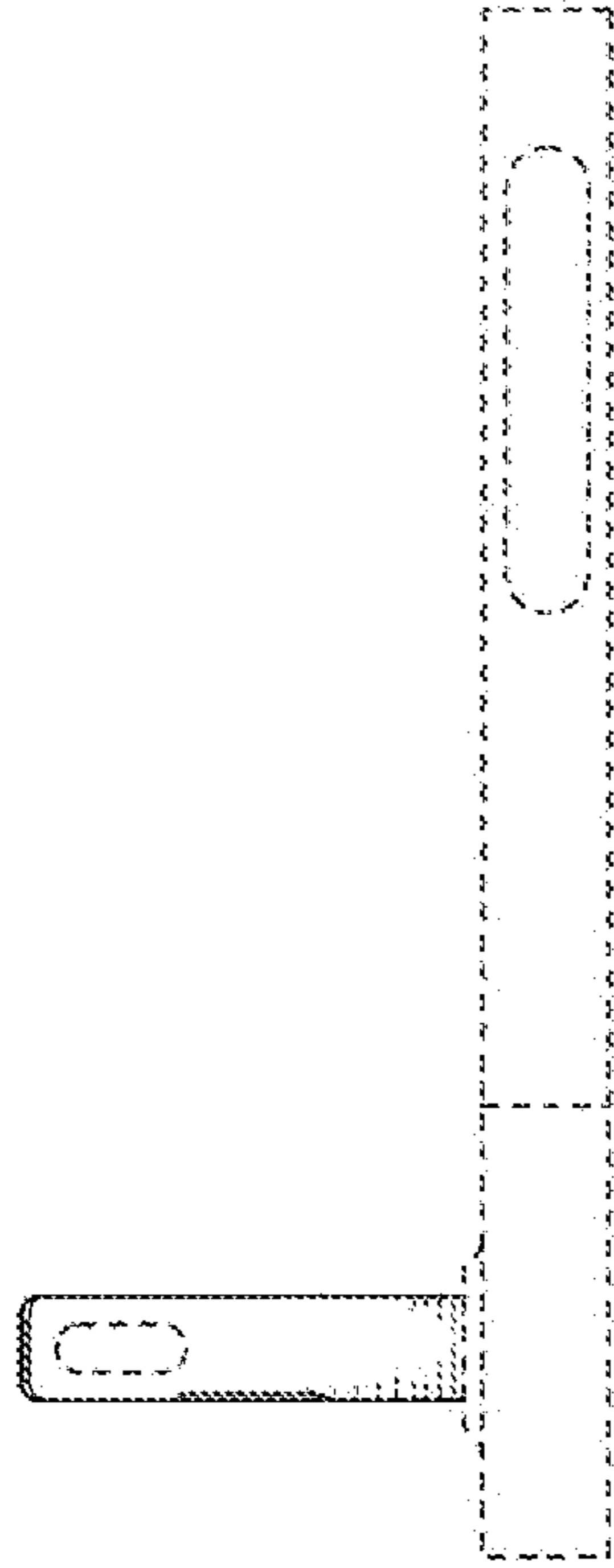
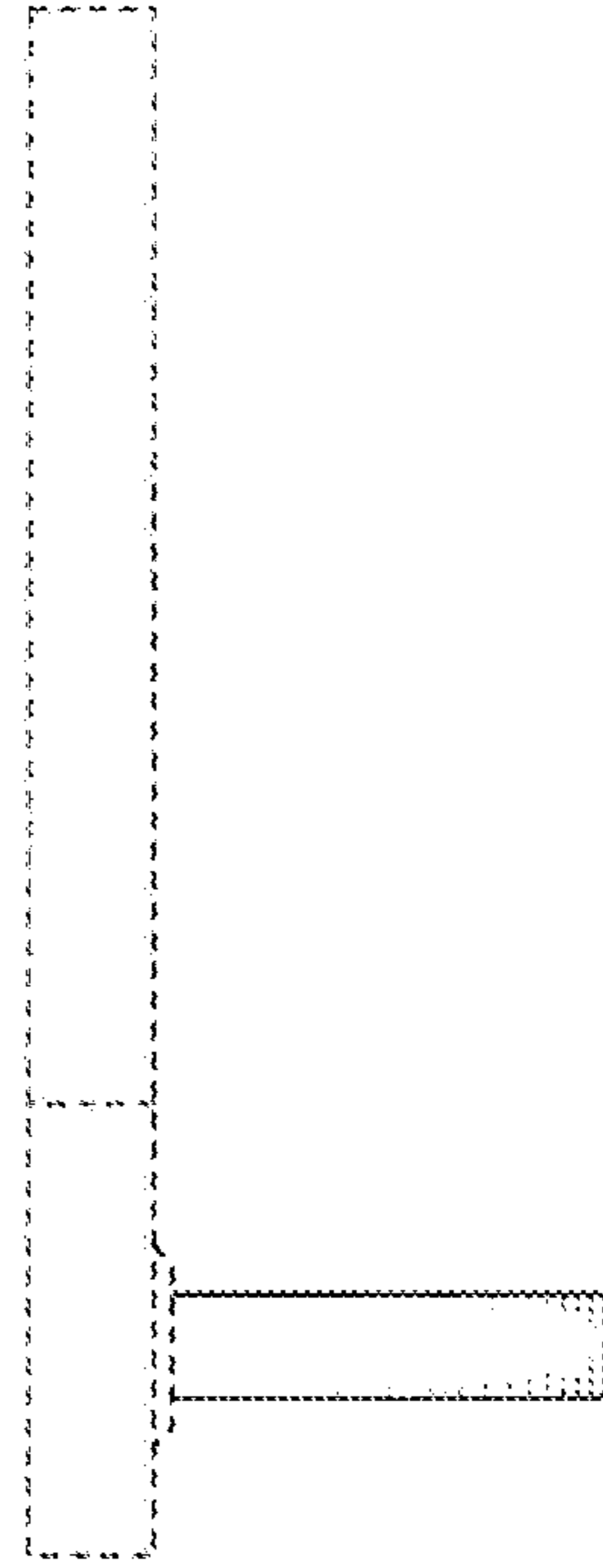


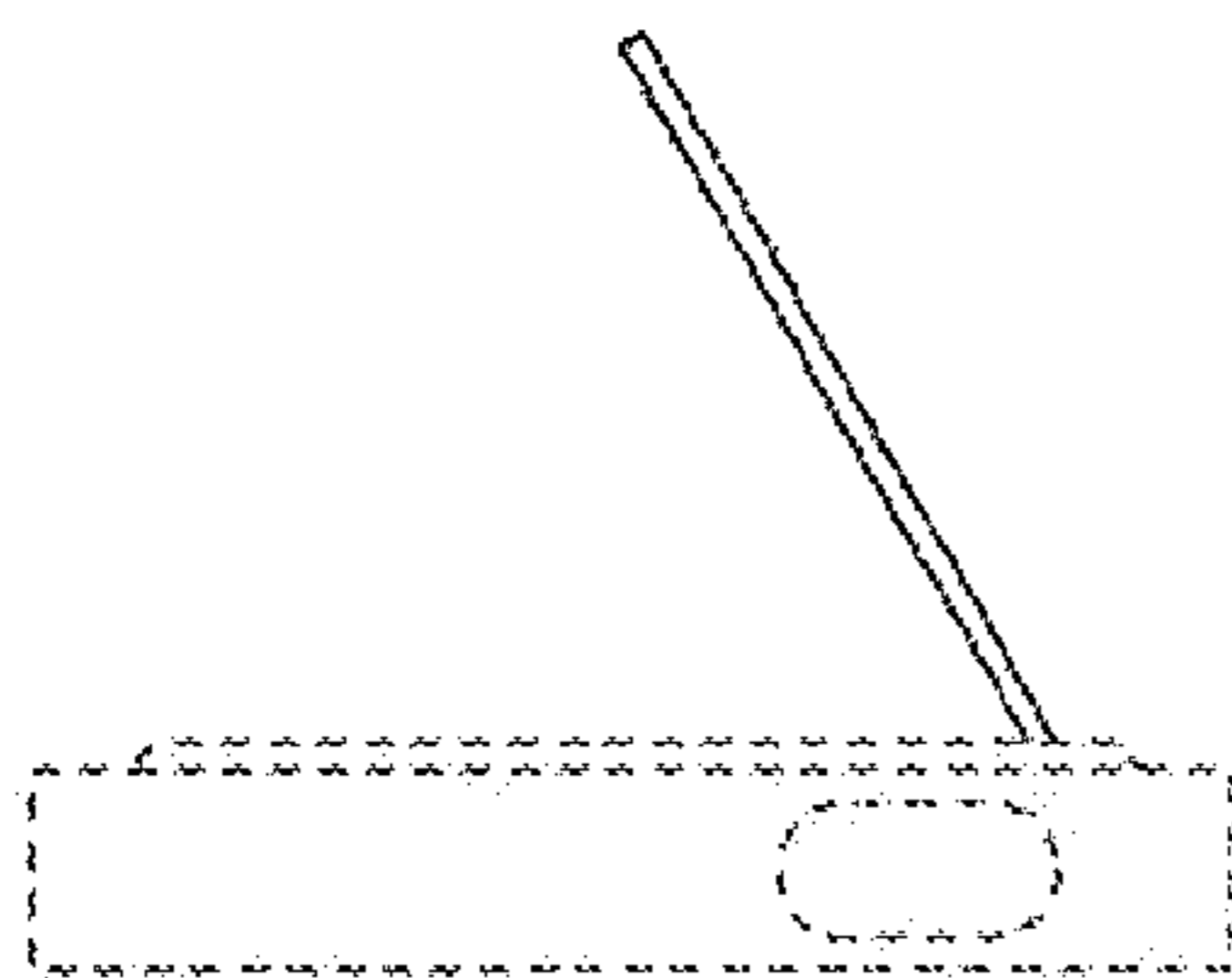
FIG. 3



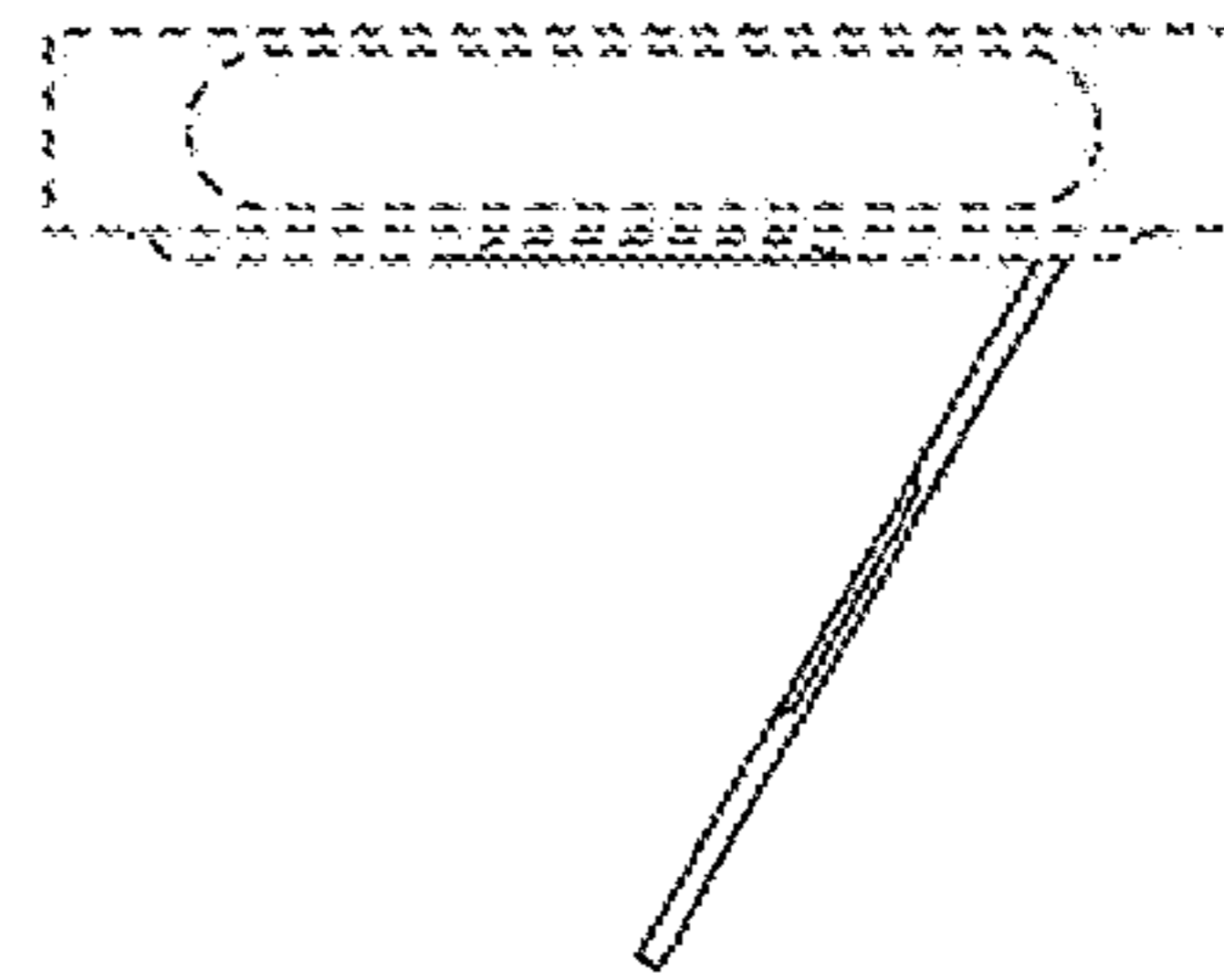
**FIG. 4**



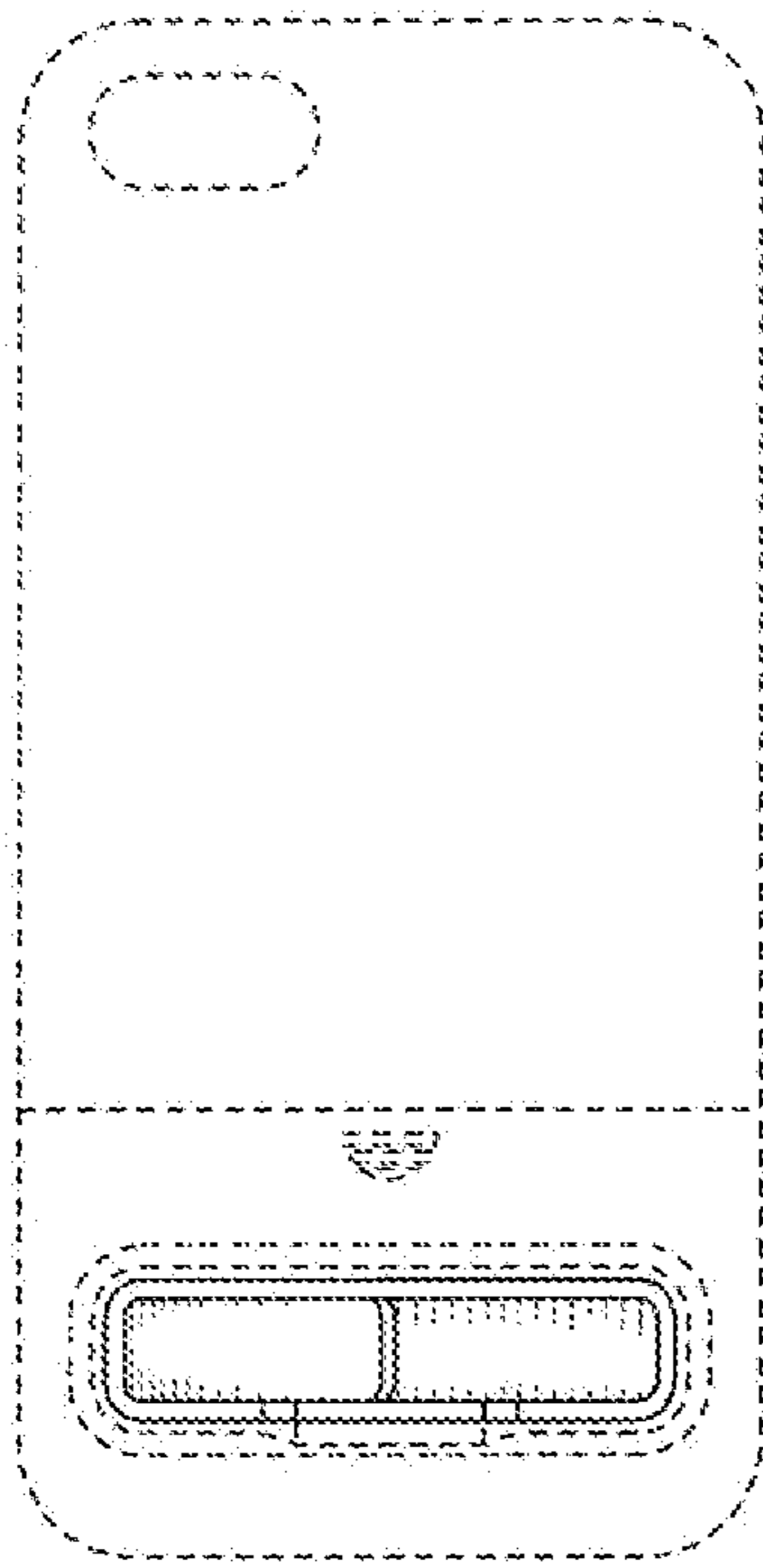
**FIG. 5**



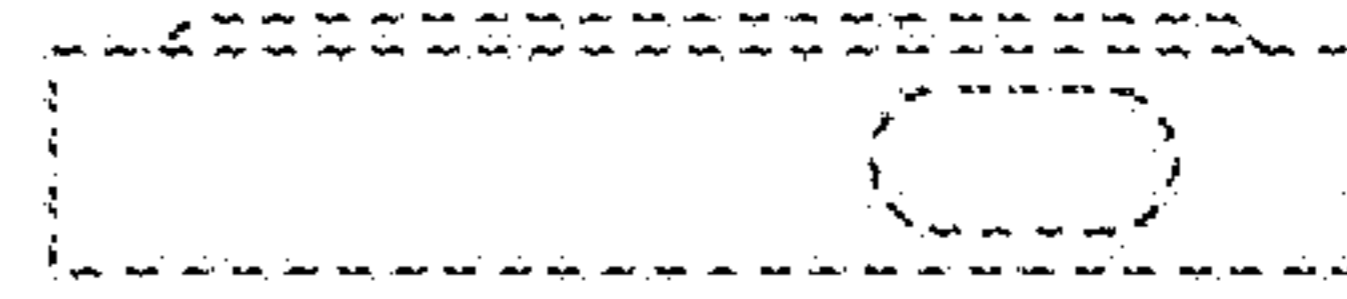
**FIG. 6**



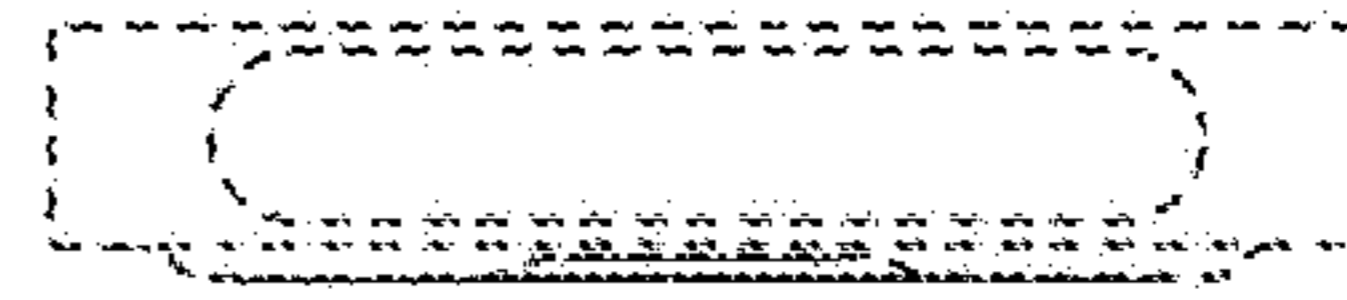
**FIG. 7**



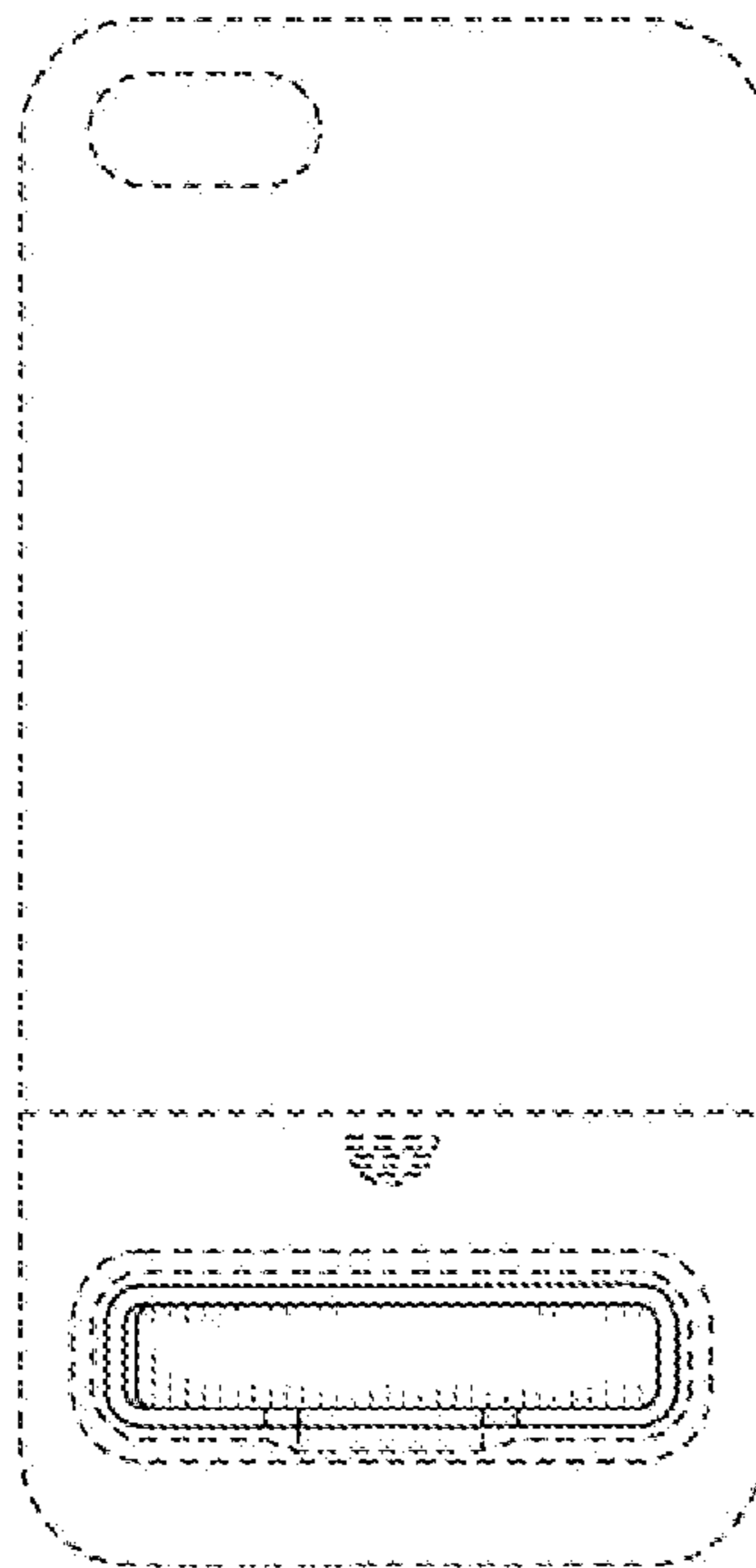
**FIG. 8**



**FIG. 9**



**FIG. 10**



**FIG. 11**

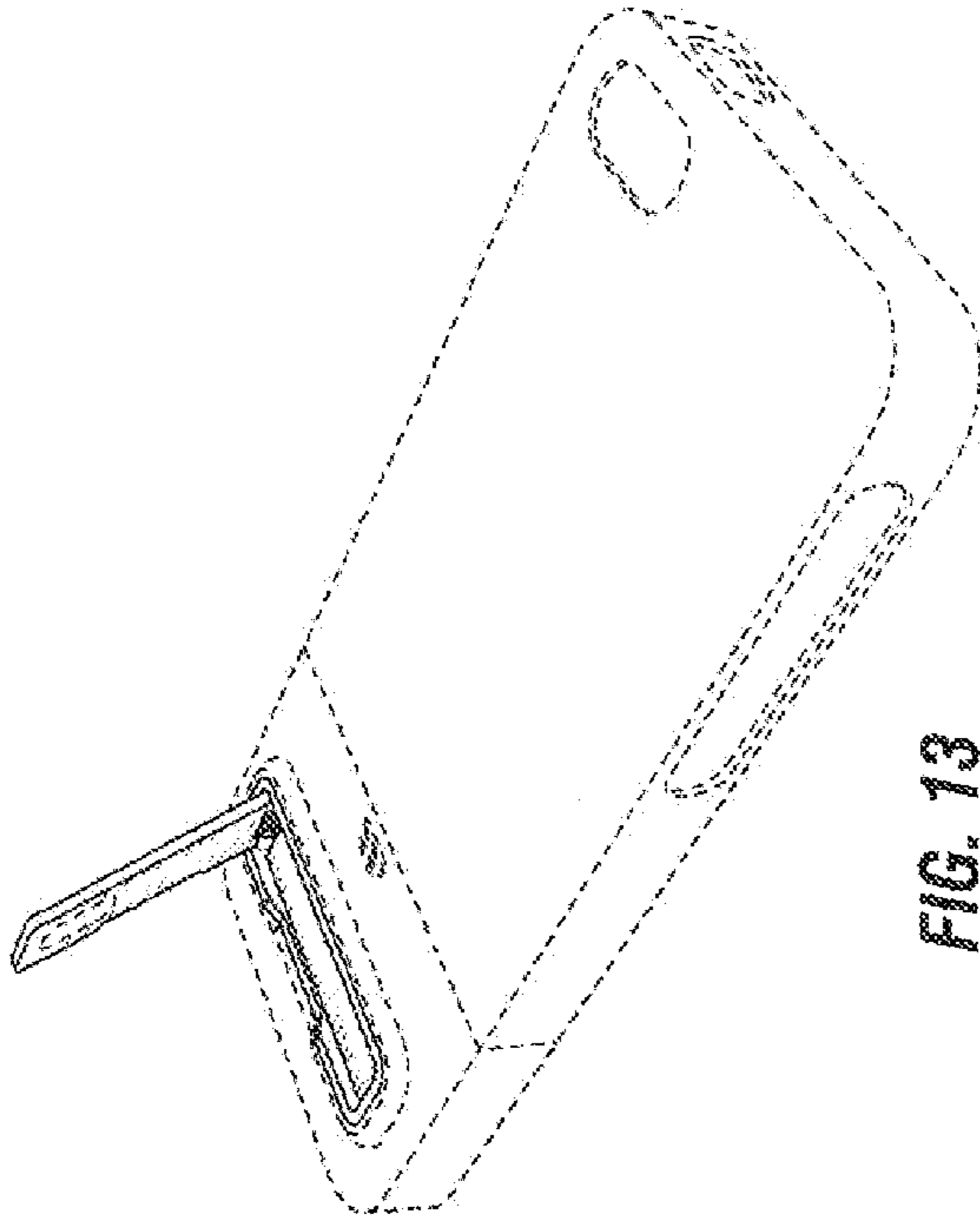


FIG. 13

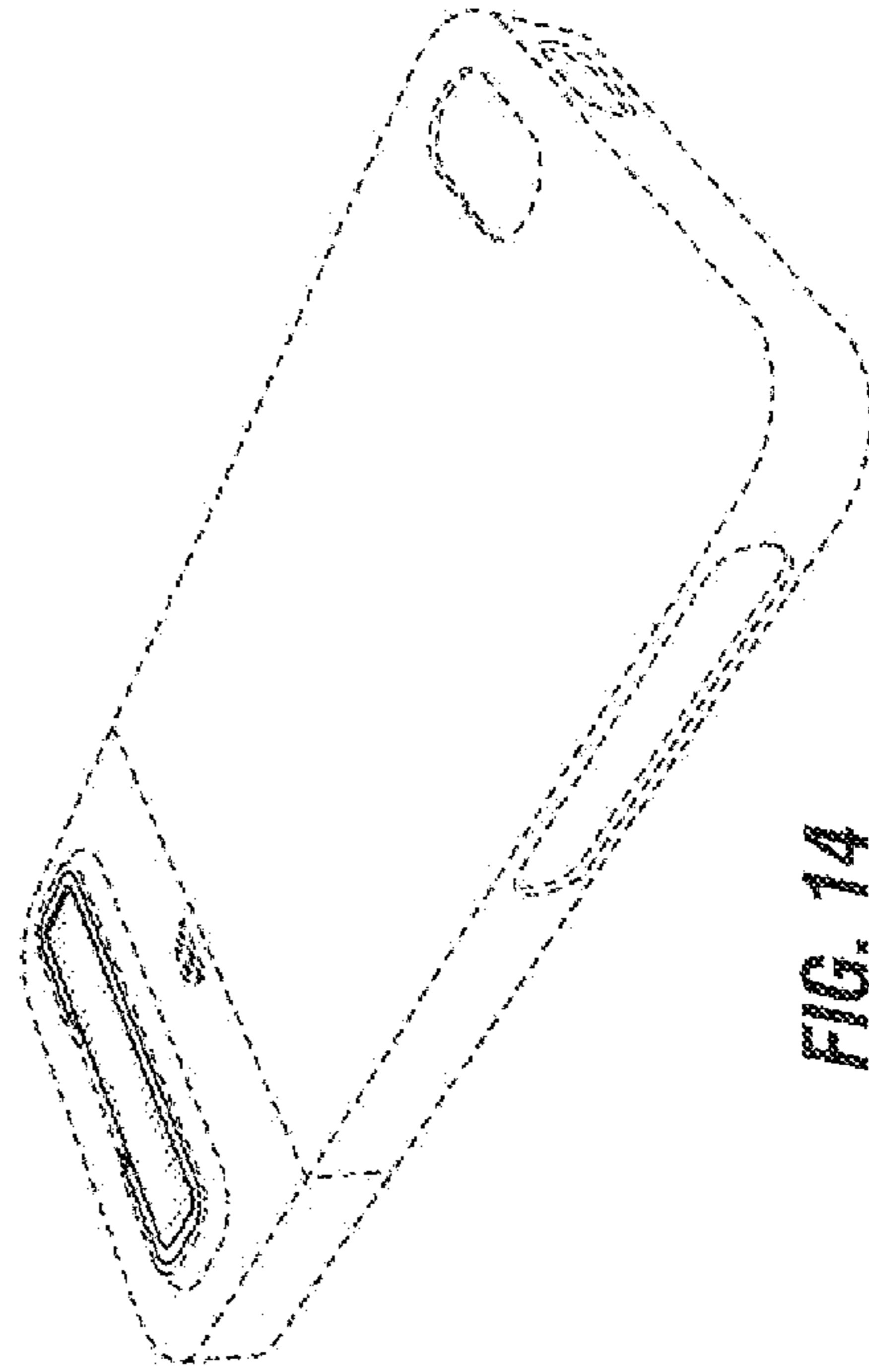


FIG. 14

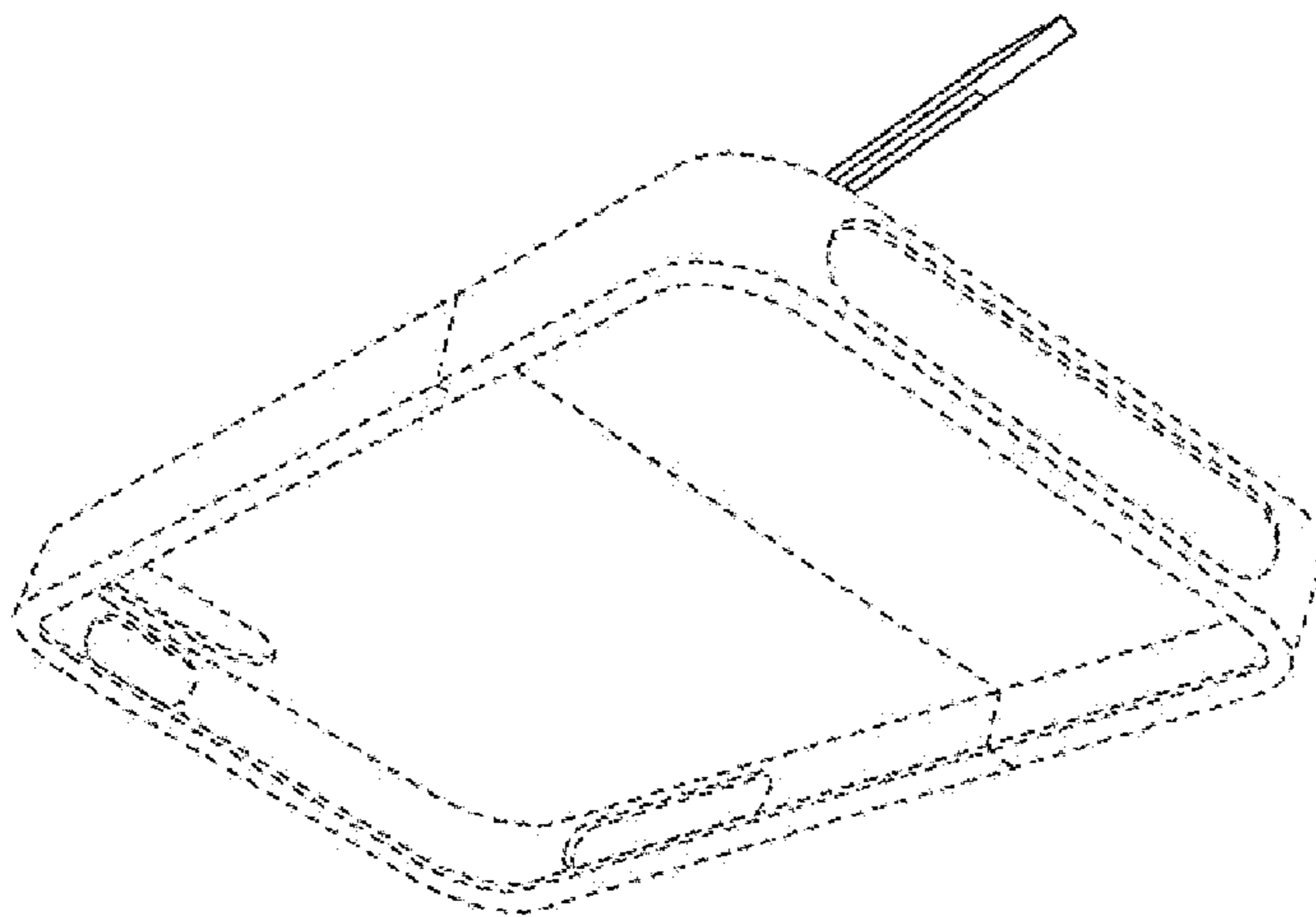


FIG. 12

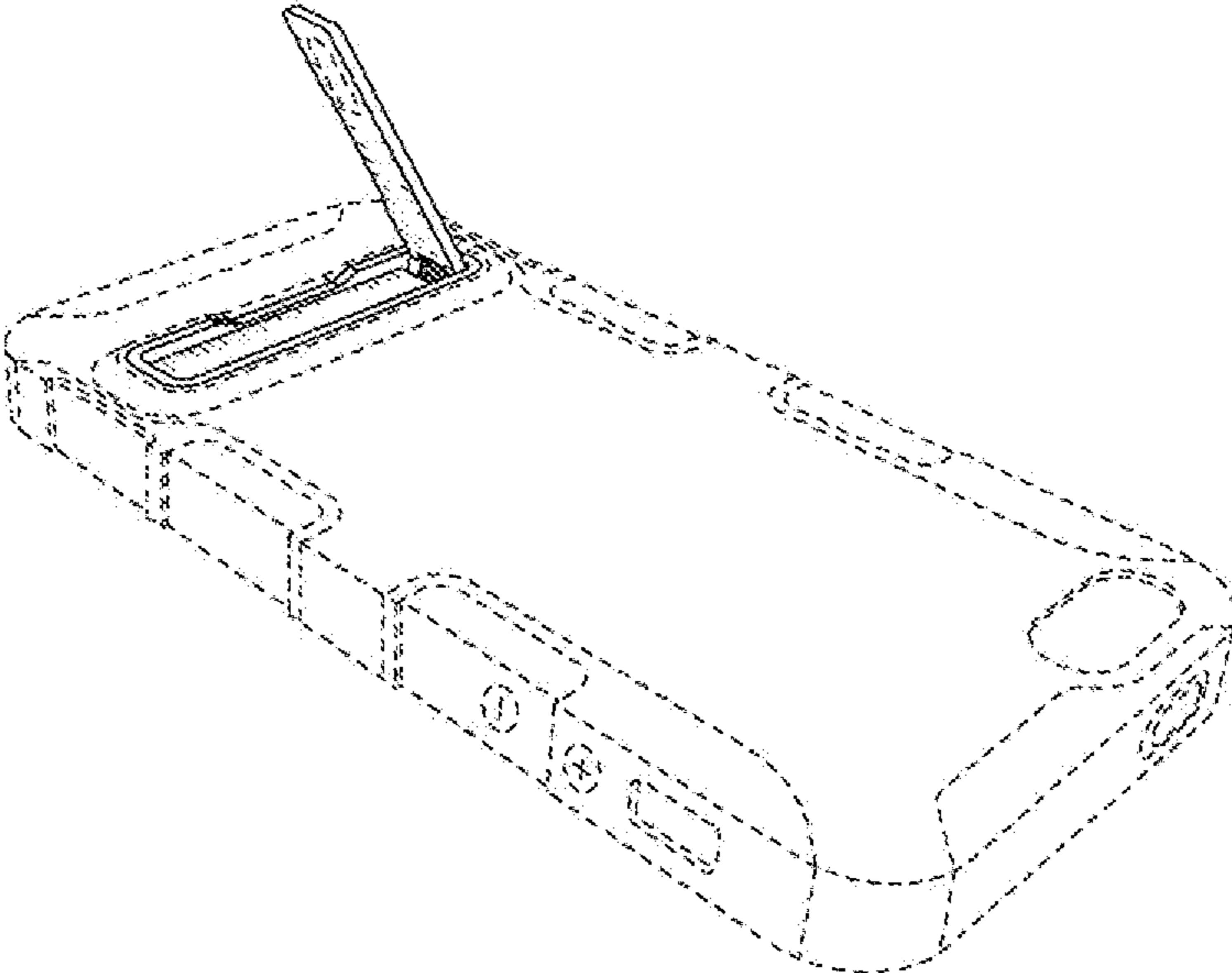


FIG. 15

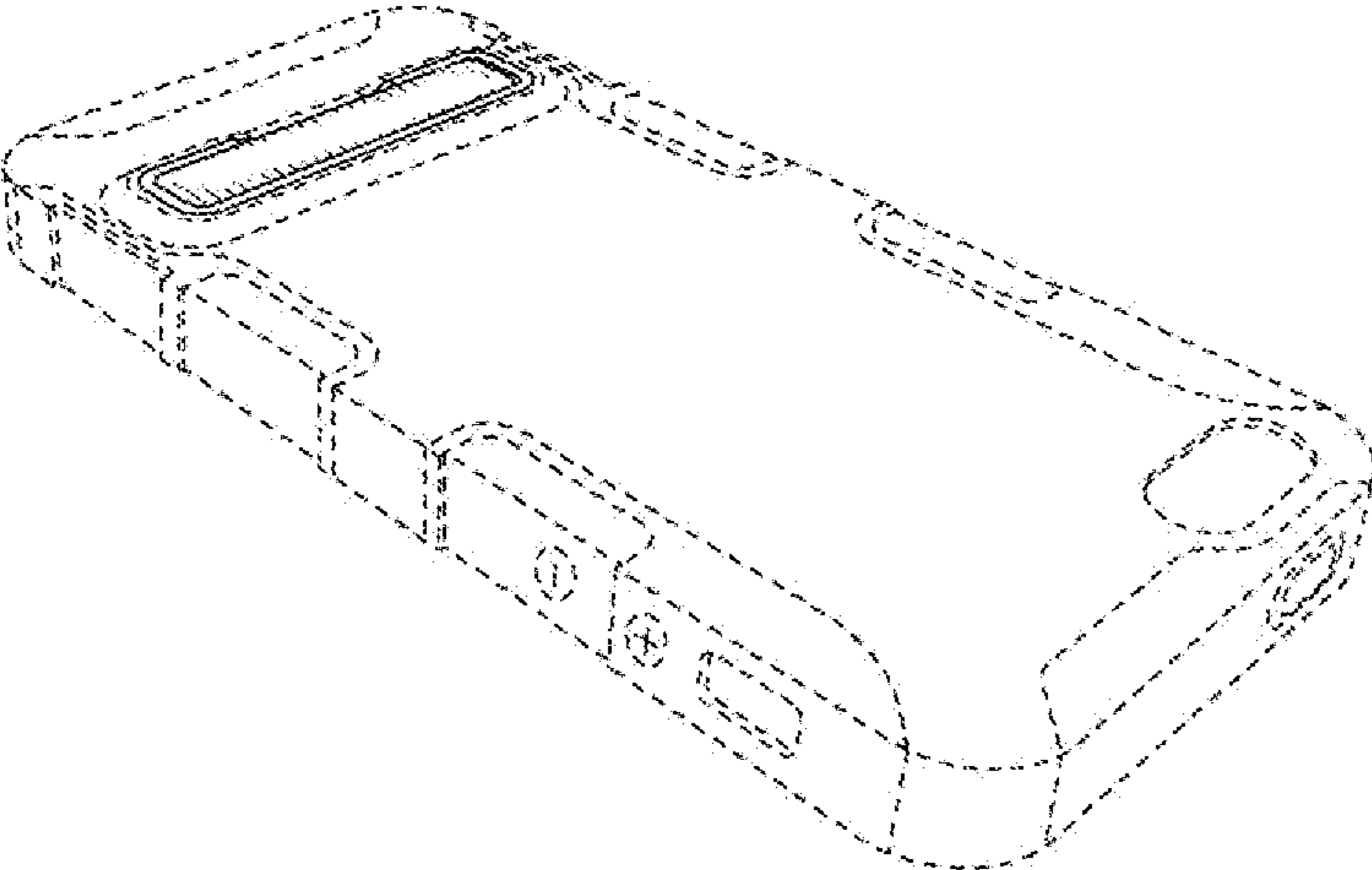


FIG. 16