

US00D706248S

(12) **United States Design Patent**
Myung et al.

(10) **Patent No.:** **US D706,248 S**
(45) **Date of Patent:** **** Jun. 3, 2014**

(54) **LAN DONGLE FOR PHONE**
(71) Applicants: **Ji-Eun Myung**, Seoul (KR);
Jung-Hwan Hong, Seoul (KR)
(72) Inventors: **Ji-Eun Myung**, Seoul (KR);
Jung-Hwan Hong, Seoul (KR)
(73) Assignee: **Samsung Electronics Co., Ltd.**,
Suwon-si (KR)
(**) Term: **14 Years**
(21) Appl. No.: **29/436,859**
(22) Filed: **Nov. 9, 2012**

(30) **Foreign Application Priority Data**
May 16, 2012 (KR) 30-2012-0024104
(51) **LOC (10) Cl.** **14-03**
(52) **U.S. Cl.**
USPC **D14/240; D14/435.1**
(58) **Field of Classification Search**
USPC D14/242, 240, 125, 435.1, 433, 357,
D14/358, 140-140.9, 155, 137, 139, 243,
D14/348, 349, 351, 354, 355; 375/222;
455/557; 725/111
See application file for complete search history.

(56) **References Cited**
U.S. PATENT DOCUMENTS
D312,627 S * 12/1990 Gutzmer D14/242
D354,953 S * 1/1995 Kazufumi et al. D14/242
D381,978 S * 8/1997 Nakada et al. D14/358
D391,922 S * 3/1998 Aromin D13/160
D416,233 S * 11/1999 Tsai D13/153
6,091,224 A * 7/2000 Morita 320/113
D442,553 S * 5/2001 Urban et al. D13/153
D467,962 S * 12/2002 Ishigami D18/14
D478,563 S * 8/2003 Brown D14/188

D480,688 S * 10/2003 Lin D13/147
D484,094 S * 12/2003 Xiao D14/435.1
D552,604 S * 10/2007 Andre et al. D14/242
D579,934 S * 11/2008 Okamoto et al. D14/435.1
D588,545 S * 3/2009 Andre et al. D13/154
D599,740 S * 9/2009 Guccione et al. D13/147
D599,800 S * 9/2009 Klein et al. D14/433
D600,652 S * 9/2009 Hong et al. D13/154
D610,095 S * 2/2010 Wu et al. D13/147
D613,249 S * 4/2010 Nagata et al. D13/147
D621,362 S * 8/2010 Huang et al. D13/147
D628,537 S * 12/2010 Nagata et al. D13/147
D636,337 S * 4/2011 Smith et al. D13/147
D673,908 S * 1/2013 Koch D13/108
D682,835 S * 5/2013 Daniel D14/433
D683,703 S * 6/2013 Akana et al. D13/147
2002/0195993 A1 * 12/2002 Chiu 320/114

* cited by examiner

Primary Examiner — Bridget L Eland
(74) *Attorney, Agent, or Firm* — NSIP Law

(57) **CLAIM**
The ornamental design for a LAN dongle for phone, as shown and described.

DESCRIPTION
FIG. 1 is a front perspective view of a LAN dongle for phone; FIG. 2 is a front view of the LAN dongle for phone of FIG. 1; FIG. 3 is a rear view of the LAN dongle for phone of FIG. 1; FIG. 4 is a left-side view of the LAN dongle for phone of FIG. 1; FIG. 5 is a right-side view of the LAN dongle for phone of FIG. 1; FIG. 6 is a top plan view of the LAN dongle for phone of FIG. 1; FIG. 7 is a bottom plan view of the LAN dongle for phone of FIG. 1; and, FIG. 8 is rear perspective view of the LAN dongle for phone of FIG. 1.

1 Claim, 5 Drawing Sheets

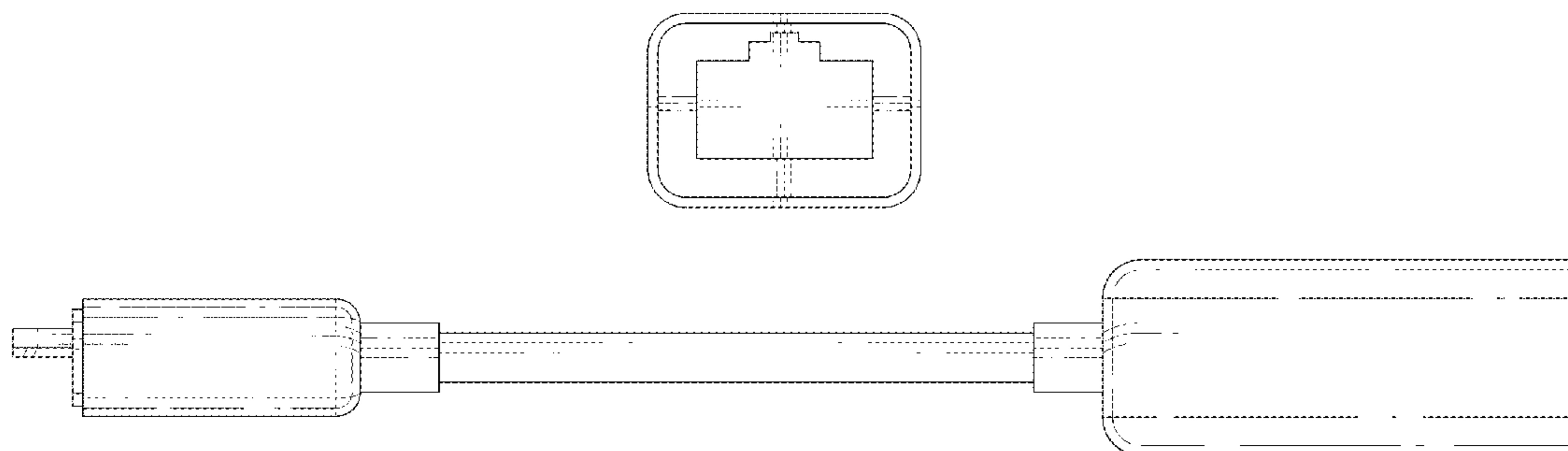


FIG. 1

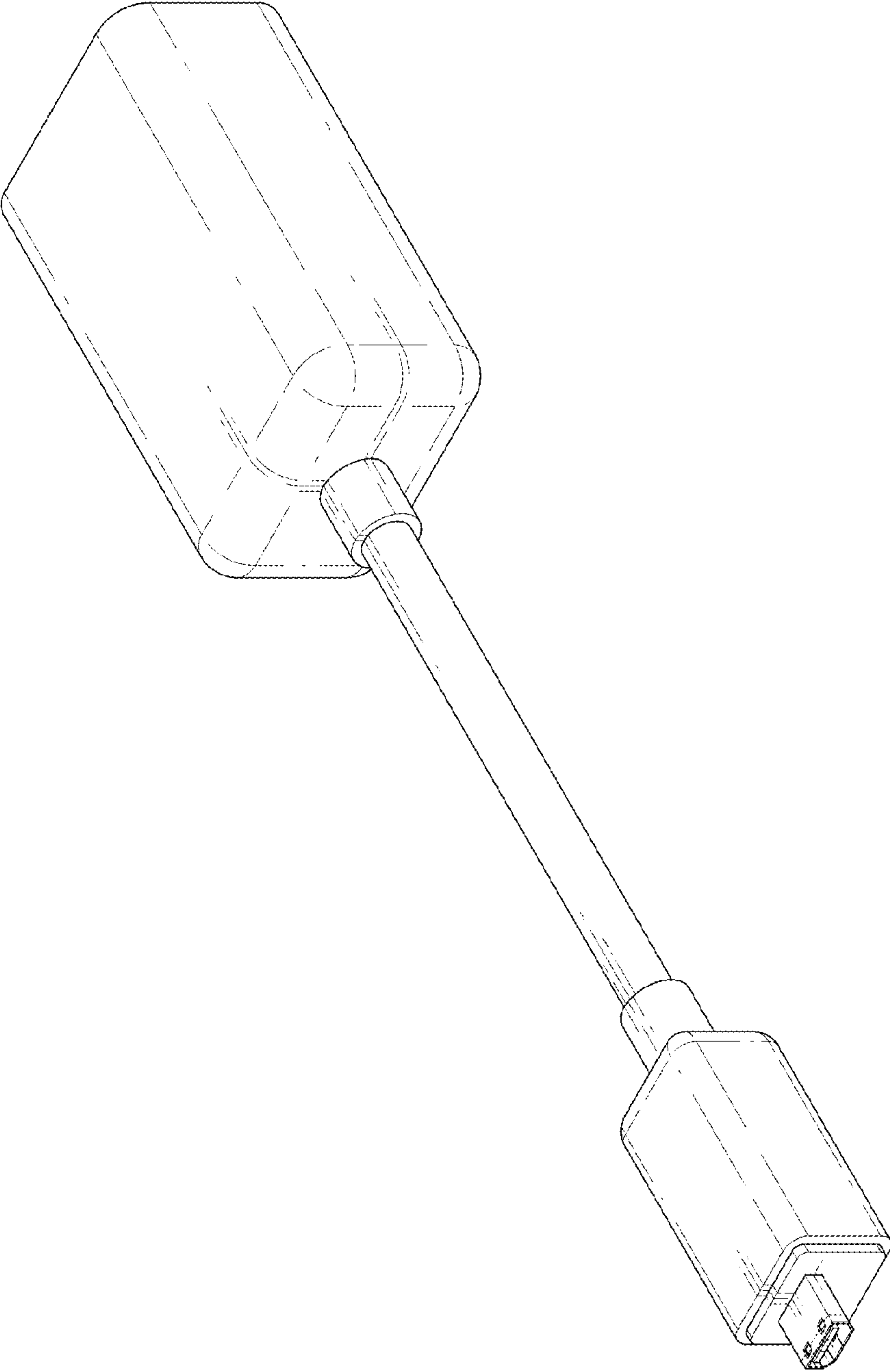


FIG. 2

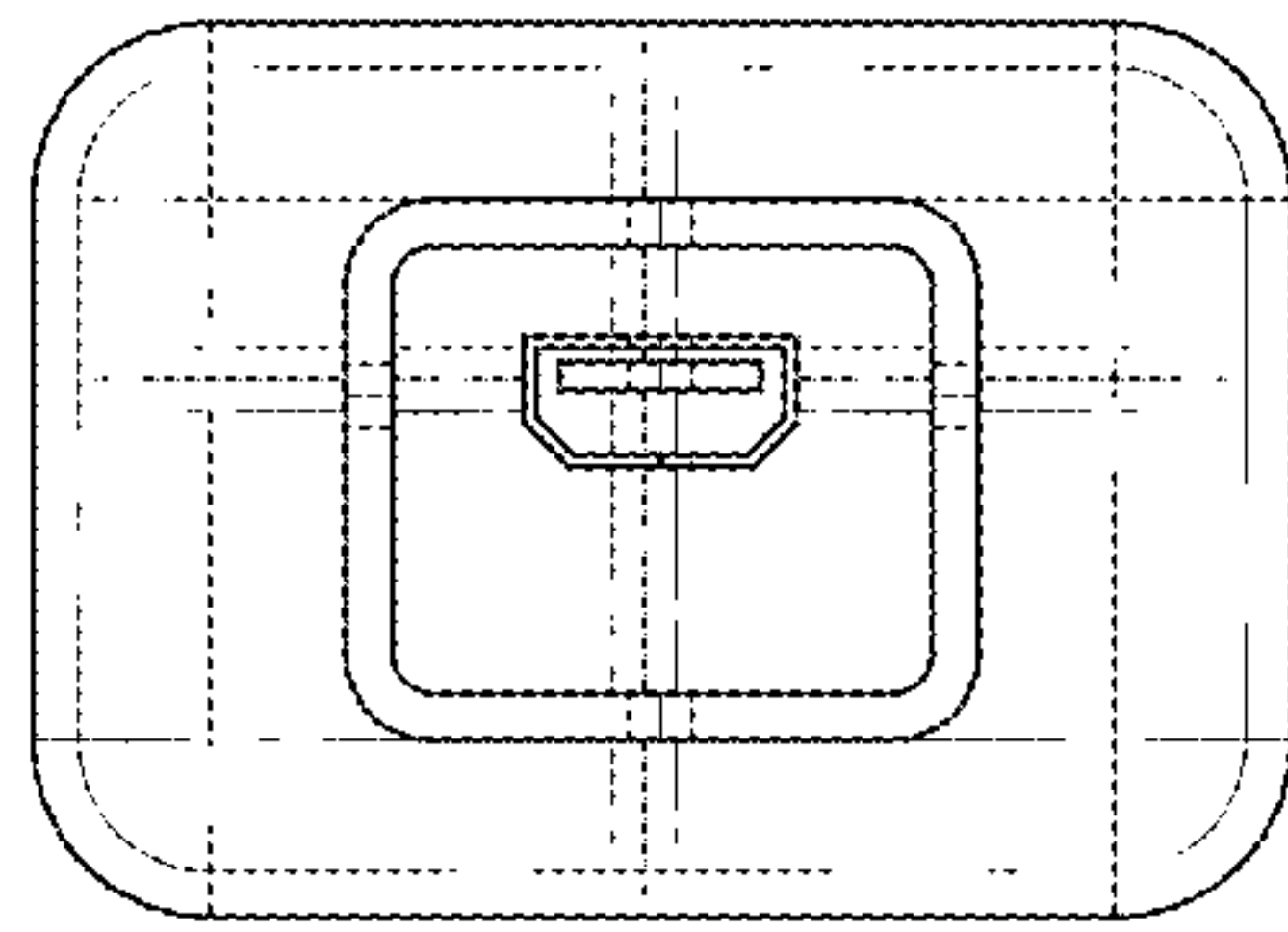


FIG. 3

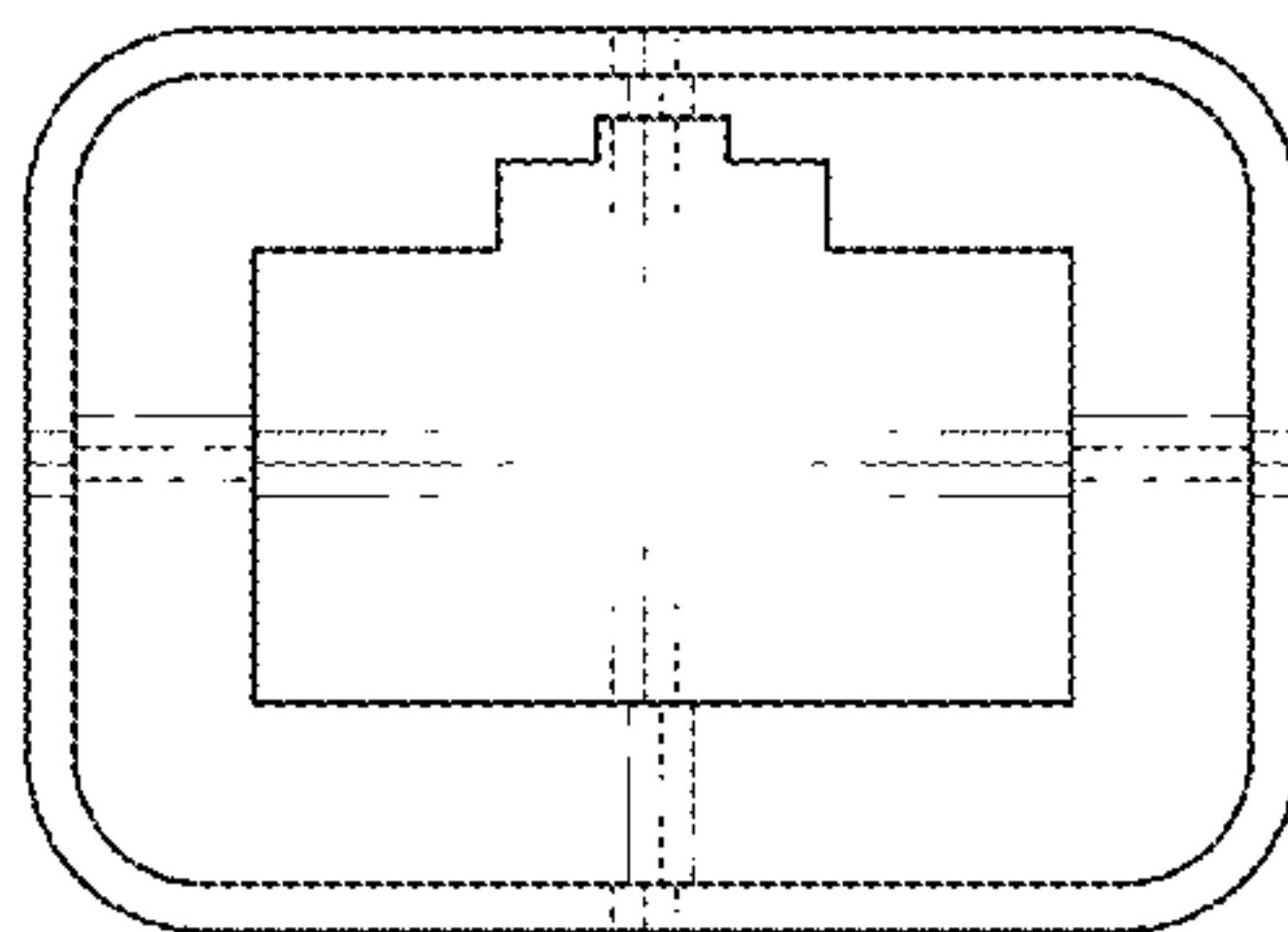


FIG. 4

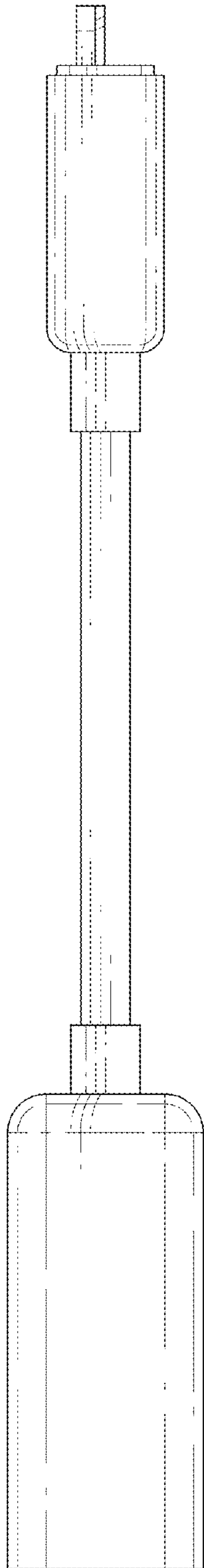


FIG. 5

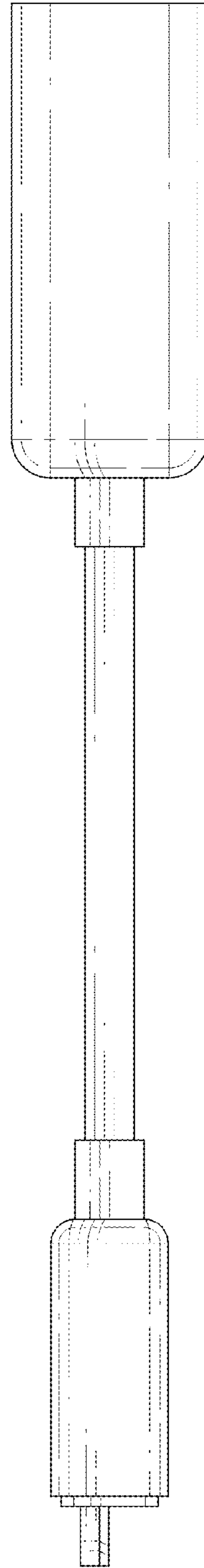


FIG. 6

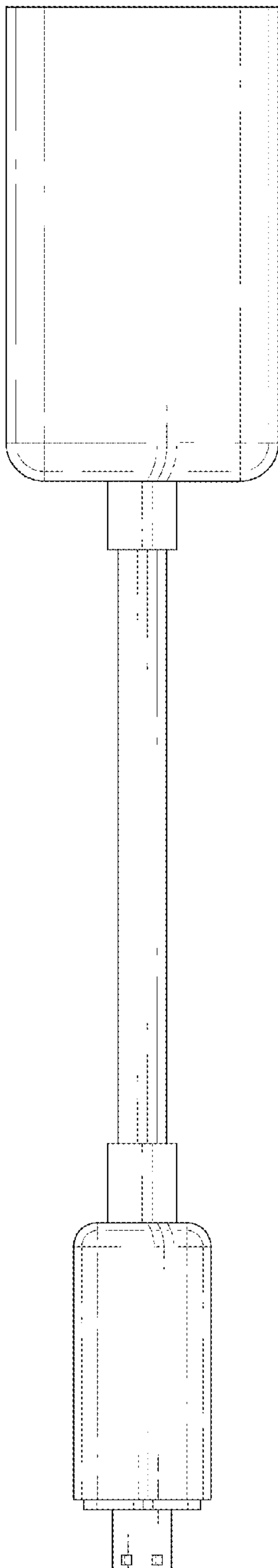


FIG. 7

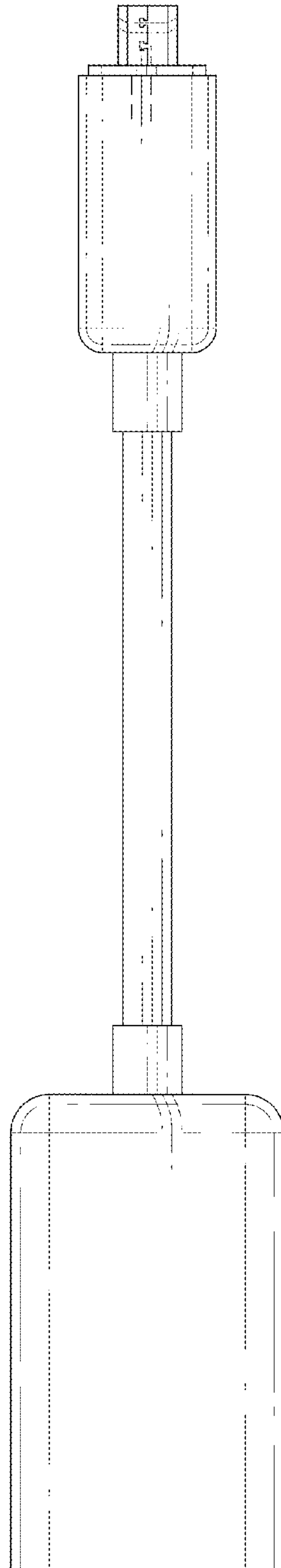


FIG. 8

