



US00D706245S

(12) **United States Design Patent**
McGovern, Jr. et al.

(10) **Patent No.:** **US D706,245 S**
(45) **Date of Patent:** **** Jun. 3, 2014**

(54) **SHOCK MOUNT FOR MICROPHONE**

FOREIGN PATENT DOCUMENTS

(75) Inventors: **Albert F. McGovern, Jr.**, Naperville, IL (US); **John Miller**, Grayslake, IL (US); **Daniel G. Pratt**, Chicago, IL (US)

DE	1823744	12/1960
DE	202005002447	6/2005
EP	423858	4/1991
GB	2388787	11/2003
JP	56162597	12/1981

(73) Assignee: **Shure Acquisition Holdings, Inc.**, Niles, IL (US)

(Continued)

(**) Term: **14 Years**

OTHER PUBLICATIONS

(21) Appl. No.: **29/418,415**

U.S. Appl. No. 13/448,077, filed Apr. 16, 2012, (27 pages).

(22) Filed: **Apr. 16, 2012**

(Continued)

(51) **LOC (10) Cl.** **14-01**

Primary Examiner — Prabhakar Deshmukh

(52) **U.S. Cl.**
USPC **D14/229**

Assistant Examiner — Holly E Thurman

(58) **Field of Classification Search**

CPC G10D 9/00; G10H 3/00; H04R 1/00;
H04R 1/08; H04R 1/083; H04R 1/086
USPC D14/224, 229; 248/610; 381/361, 368
See application file for complete search history.

(74) *Attorney, Agent, or Firm* — Banner & Witcoff, Ltd.

(57) **CLAIM**

The ornamental design for a shock mount for microphone, as shown and described.

(56) **References Cited**

DESCRIPTION

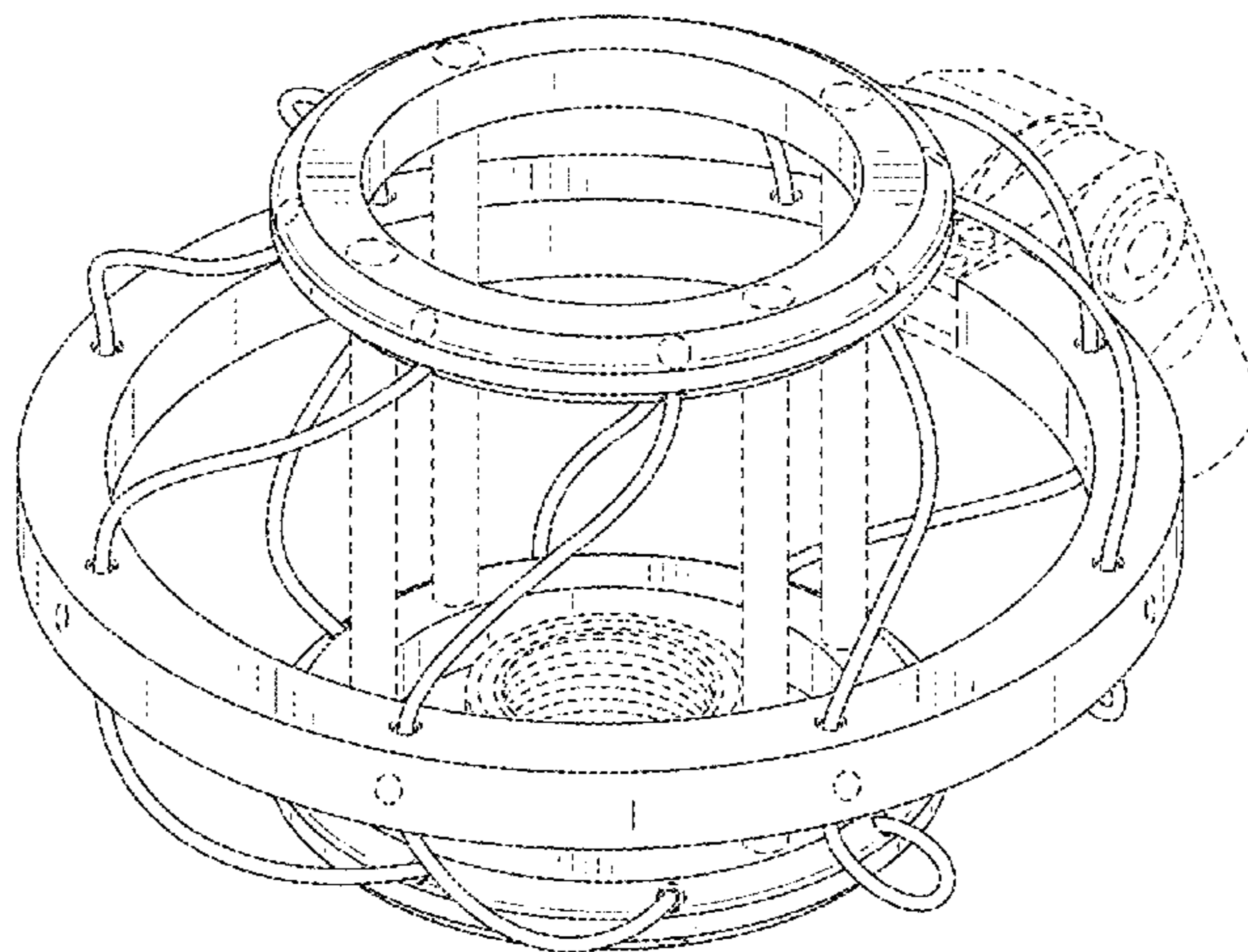
U.S. PATENT DOCUMENTS

4,194,096	A	3/1980	Ramsey	
4,396,807	A	8/1983	Brewer	
D272,532	S *	2/1984	Fitzner et al.	D14/229
4,453,045	A	6/1984	Bruna	
D276,043	S *	10/1984	Fitzner et al.	D14/229
4,546,950	A	10/1985	Cech	
5,455,869	A	10/1995	Miscavige	
5,574,236	A	11/1996	Webber	
D399,166	S *	10/1998	Wright	D11/130.1
6,459,802	B1	10/2002	Young	
D475,995	S *	6/2003	Hsieh	D14/229
6,682,043	B1	1/2004	Hsieh	
6,724,904	B1	4/2004	Winter	
7,760,896	B2	7/2010	Medveczky	
2006/0227991	A1	10/2006	Klemme	
2007/0195983	A1*	8/2007	Klemme	381/362
2009/0016558	A1	1/2009	Woolf	
2010/0239113	A1*	9/2010	Browne	381/361

FIG. 1 is a top, front, right perspective view of a shock mount for microphone showing our new design;
FIG. 2 is a right side view thereof;
FIG. 3 is a front view thereof;
FIG. 4 is a left side view thereof;
FIG. 5 is a rear view thereof;
FIG. 6 is a top view thereof;
FIG. 7 is a bottom view thereof; and,
FIG. 8 is a bottom, front, left perspective view thereof.

The uneven-length broken lines represent unclaimed boundaries of the claimed design. The even-length broken lines showing the remainder of the shock mount for microphone are for environmental purposes only and form no part of the claimed design.

1 Claim, 6 Drawing Sheets



(56)

References Cited

FOREIGN PATENT DOCUMENTS

JP	2011220440	A	*	11/2011
WO	9404009			2/1994
WO	2007051925			5/2007

OTHER PUBLICATIONS

Design U.S. Appl. No. 29/418,413, filed Apr. 16, 2012, (7 pages).

Unknown, "A27SM Elastic Suspension Shock Mount," Shure Online Store, retrieved on Apr. 16, 2012 from http://store.shure.com/store/shure/en_US/pd/productID.104211900.

Unknown, "A44ASM Elastic-Suspension Shock Mount," Shure Distribution UK, retrieved on Apr. 16, 2012 from <http://www.shure.co.uk/products/accessories/a44asm>.

Unknown, "Metal and Mesh Isolators, Cablemount Series," Barry Controls, retrieved on Apr. 16, 2012 from <http://www.barrycontrols.com/products/product.cfm?cid=8&fid=39>.

Unknown, "Wire Rope Isolators," The VMC Group, retrieved on Apr. 16, 2012 from <http://www.thvmcgroup.com/wirerope.html>.

Unknown, "Invision Video," Rycote, retrieved on Apr. 16, 2012 from http://www.rycote.com/products/invision_video/.

Unknown, "Custom Shockmount for the Yeti and Yeti Pro Microphones, The Radius," eBuyNow, retrieved on Apr. 16, 2012 from <https://bluemic.ebuynow.com/us/ebuynow/microphones-accessories/the-radius.html>.

Unknown, "SM2 Microphone Shock Mount," Rode Microphones, retrieved on Apr. 16, 2012 from <http://www.rodemic.com/accessories/sm2>.

Unknown, "PSM1 Microphone Shock Mount," Rode Microphones, retrieved on Apr. 16, 2012 from <http://www.rodemic.com/accessories/psm1>.

Unknown, "SM6 Shock Mount with Detachable Pop Filter," Rode Microphones, retrieved on Apr. 16, 2012 from <http://www.rodemic.com/accessories/sm6>.

Unknown, "SM3 Camera Shoe Shock Mount," Rode Microphones, retrieved on Apr. 16, 2012 from <http://www.rodemic.com/accessories/sm3>.

Unknown, SM4 Boompole/Mic Stand Shock Mount, Rode Microphones, retrieved on Apr. 16, 2012 from <http://www.rodemic.com/accessories/sm4>.

Unknown, SM5 Camera Ring-Clamp Shock Mount, Rode Microphones, retrieved on Apr. 16, 2012 from <http://www.rodemic.com/accessories/sm5>.

Unknown, "Elastic Suspension-EA 1 (mt)," Georg Neumann GmbH, retrieved on Apr. 16, 2012 from http://www.neumann.com/?lang=en&id=current_accessories&cid=db_current_accessories&dbid=6.

Unknown, "Elastic Suspension-EA 170 (mt)," Georg Neumann GmbH, retrieved on Apr. 16, 2012 from http://www.neumann.com/?lang=en&id=current_accessories&cid=db_current_accessories&dbid=16.

Unknown, "Elastic Suspension-EA 2 (mt)," Georg Neumann GmbH, retrieved on Apr. 16, 2012 from http://www.neumann.com/?lang=en&id=current_accessories&cid=db_current_accessories&dbid=147.

Unknown, "Elastic Suspension-EA 30A," Georg Neumann GmbH, retrieved on Apr. 16, 2012 from http://www.neumann.com/?lang=en&id=current_accessories&cid=db_current_accessories&dbid=7.

Unknown, "Elastic Suspension-EA 50," Georg Neumann GmbH, retrieved on Apr. 16, 2012 from http://www.neumann.com/?lang=en&id=current_accessories&cid=db_current_accessories&dbid=12.

Unknown, "Elastic Suspension-EA 87 (mt)," Georg Neumann GmbH, retrieved on Apr. 16, 2012 from http://www.neumann.com/?lang=en&id=current_accessories&cid=db_current_accessories&dbid=14.

Unknown, "Elastic Suspension-EA 89 (mt)," Georg Neumann GmbH, retrieved on Apr. 16, 2012 from http://www.neumann.com/?lang=en&id=current_accessories&cid=db_current_accessories&dbid=15.

Unknown, "Replacement IEC Power Cables," Studio Projects, retrieved on Apr. 16, 2012 from <http://www.studioprojectsusa.com/accessories.html>.

Unknown, "M600 Universal Microphone Mount," Enhanced Audio, retrieved on Apr. 16, 2012 from <http://www.enhancedaudio.ie/m600series.html>.

Unknown, "PG3a Pistol Grip," Reinhardt, retrieved on Apr. 16, 2012 from <http://www.reinhardt.tv/PG2.php>.

Unknown, "Cinela OSIX & MINIX Suspensions Overview," Cinela, retrieved on Apr. 16, 2012 from <http://www.cinela.fr/suspensions.php?PHPSESSID=835c44558d92711806210e468e7a3f07>.

Unknown, "Current Microphones," Georg Neumann, retrieved on Apr. 16, 2012 from http://www.neumann.com/?id=current_microphones&lang=en.

Unknown, "SM01 Shockmount 1.73 to 1.89\Dia\mter," retrieved on Apr. 16, 2012 from http://www.woodbrass.com/en/product_info.php?products_id=34954&af=35.

Cutchins, Cochran, Jr., Kumar, Fitz-Coy and Tinker, "Initial Investigations into the Damping Characteristics of Wire Rope Vibration Isolators," Aerospace Engineering Department Auburn University, Alabama, Jan. 1987, 88 pages.

Roel Leenen, "The Modelling and Identification of an Hysteretic System," Department of Mechanical Engineering, Eindhoven University of Technology, Dec. 2002, 45 pages.

Gary C. Foss, "Modal Damping Estimates from Static Load-Deflection Curves," Structural Dynamics Laboratory, Boeing Commercial Airplane Group, 8 pages.

* cited by examiner

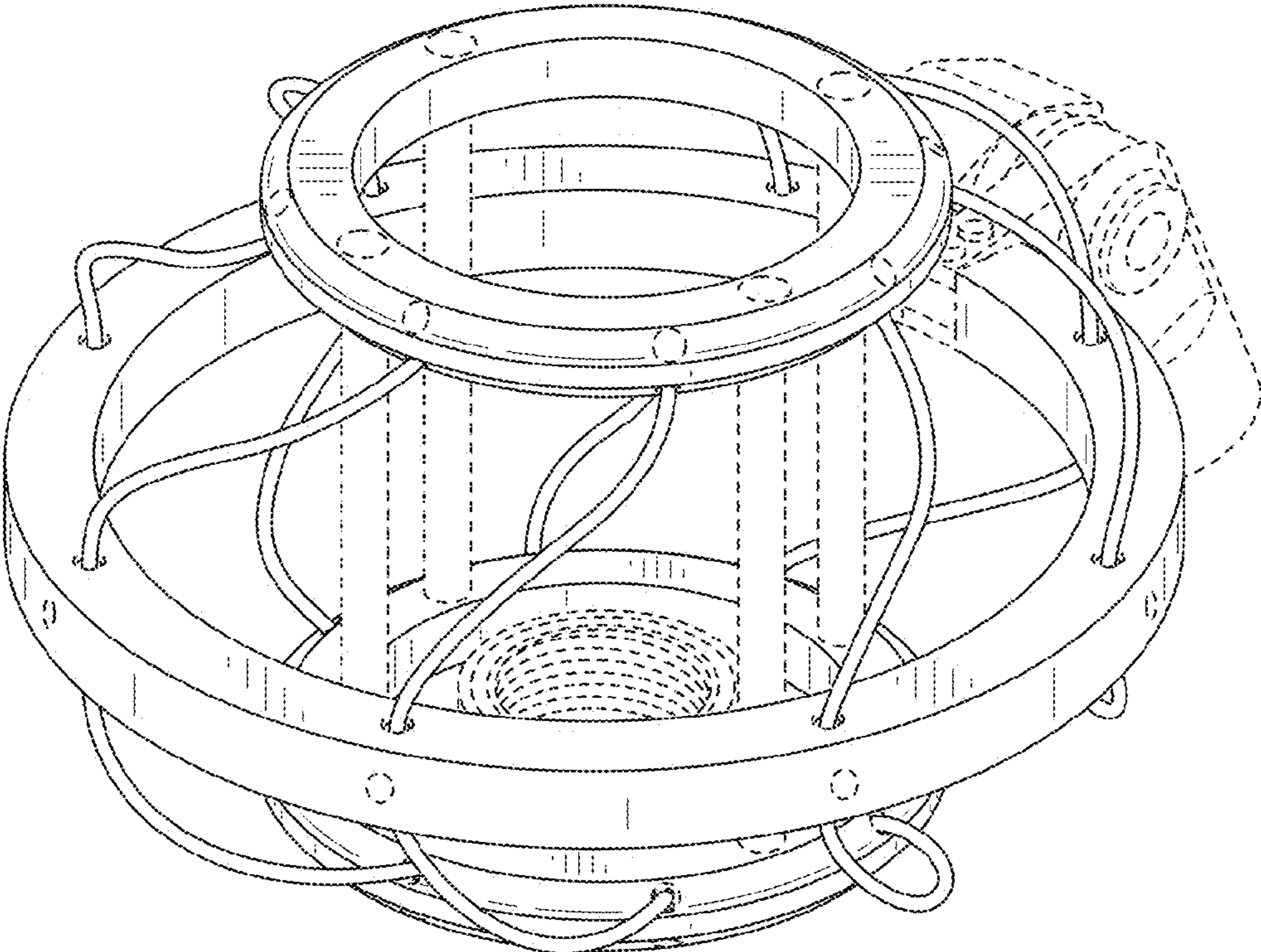


FIG. 1

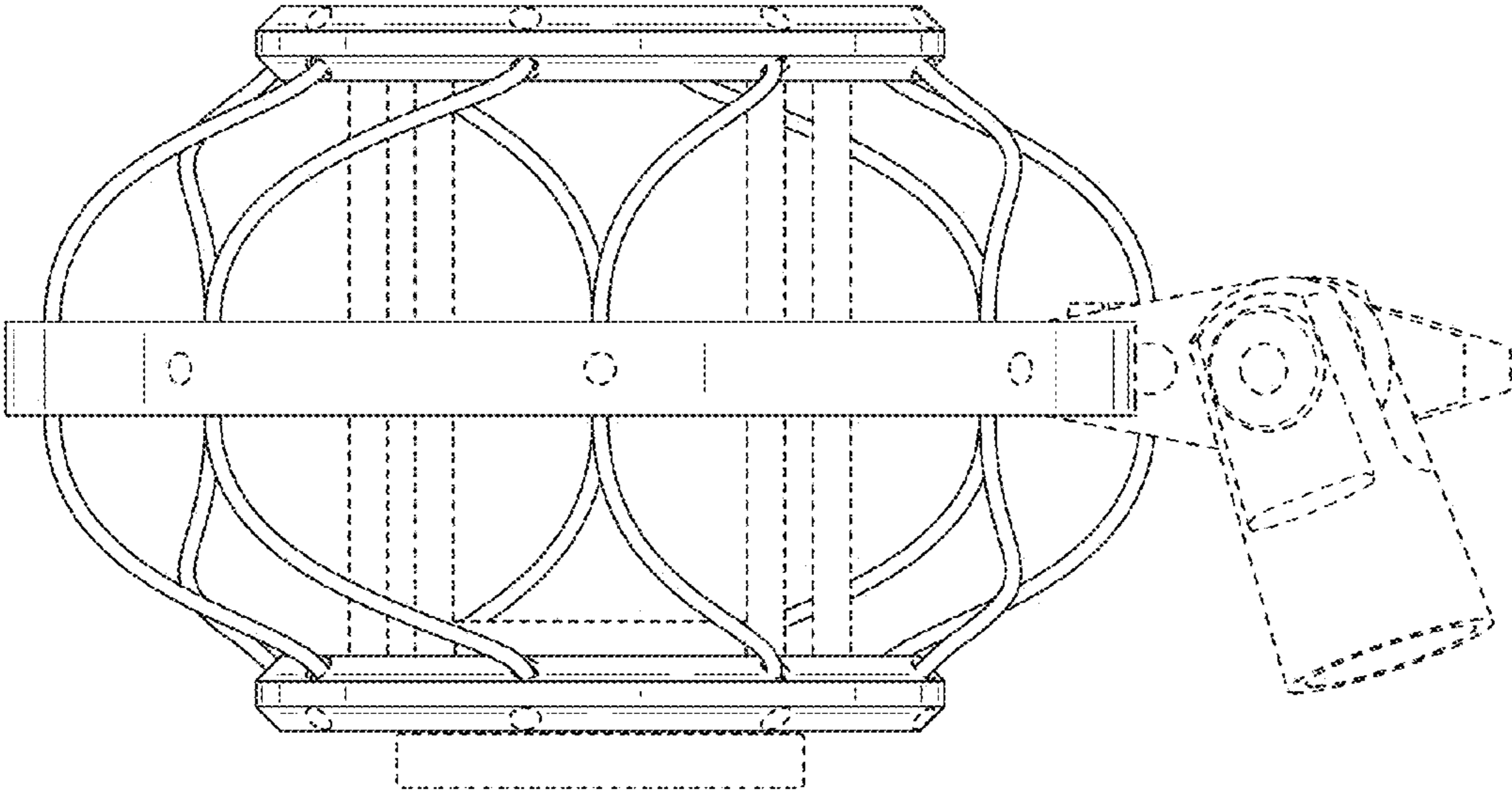


FIG. 2

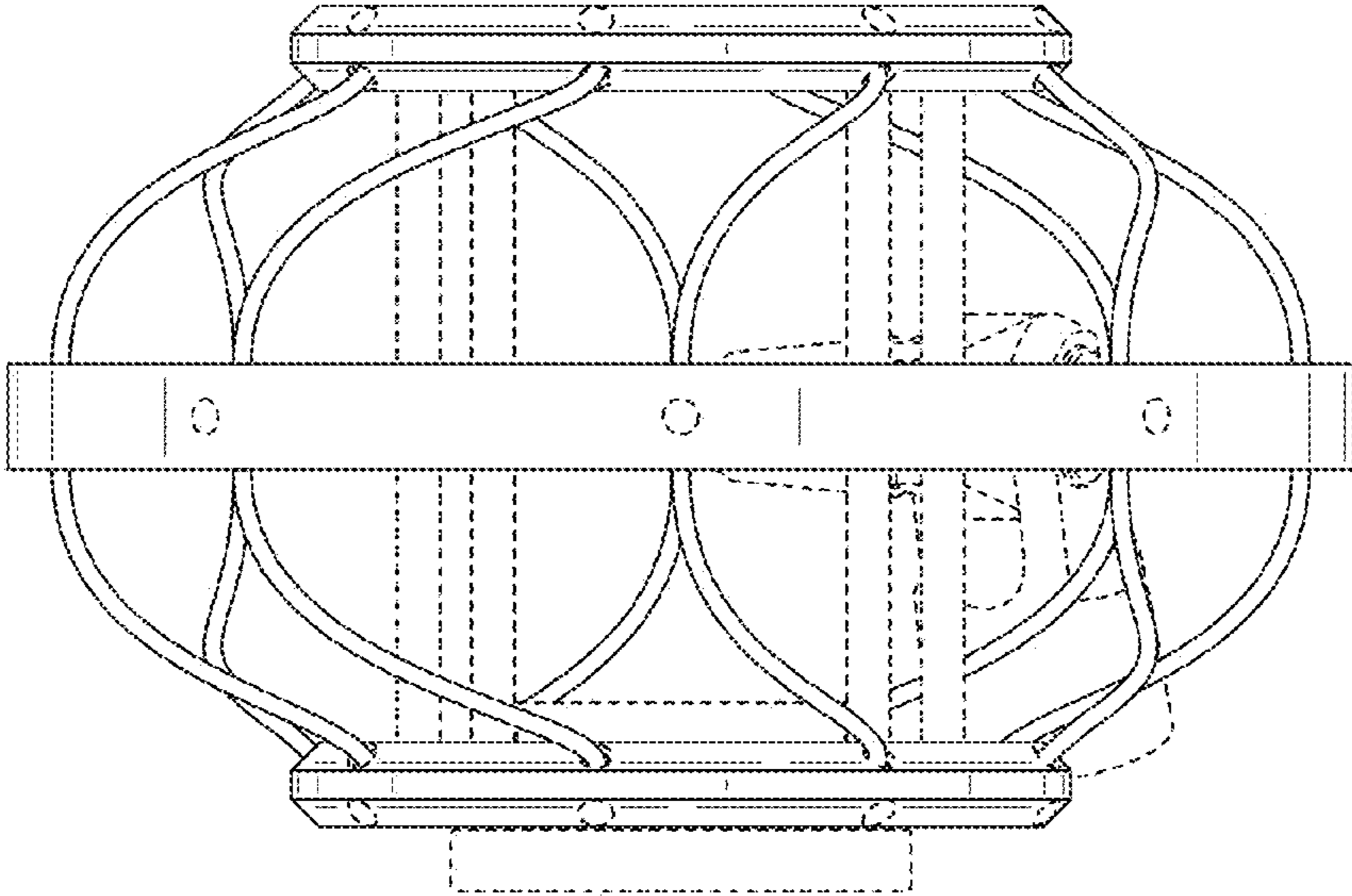


FIG. 3

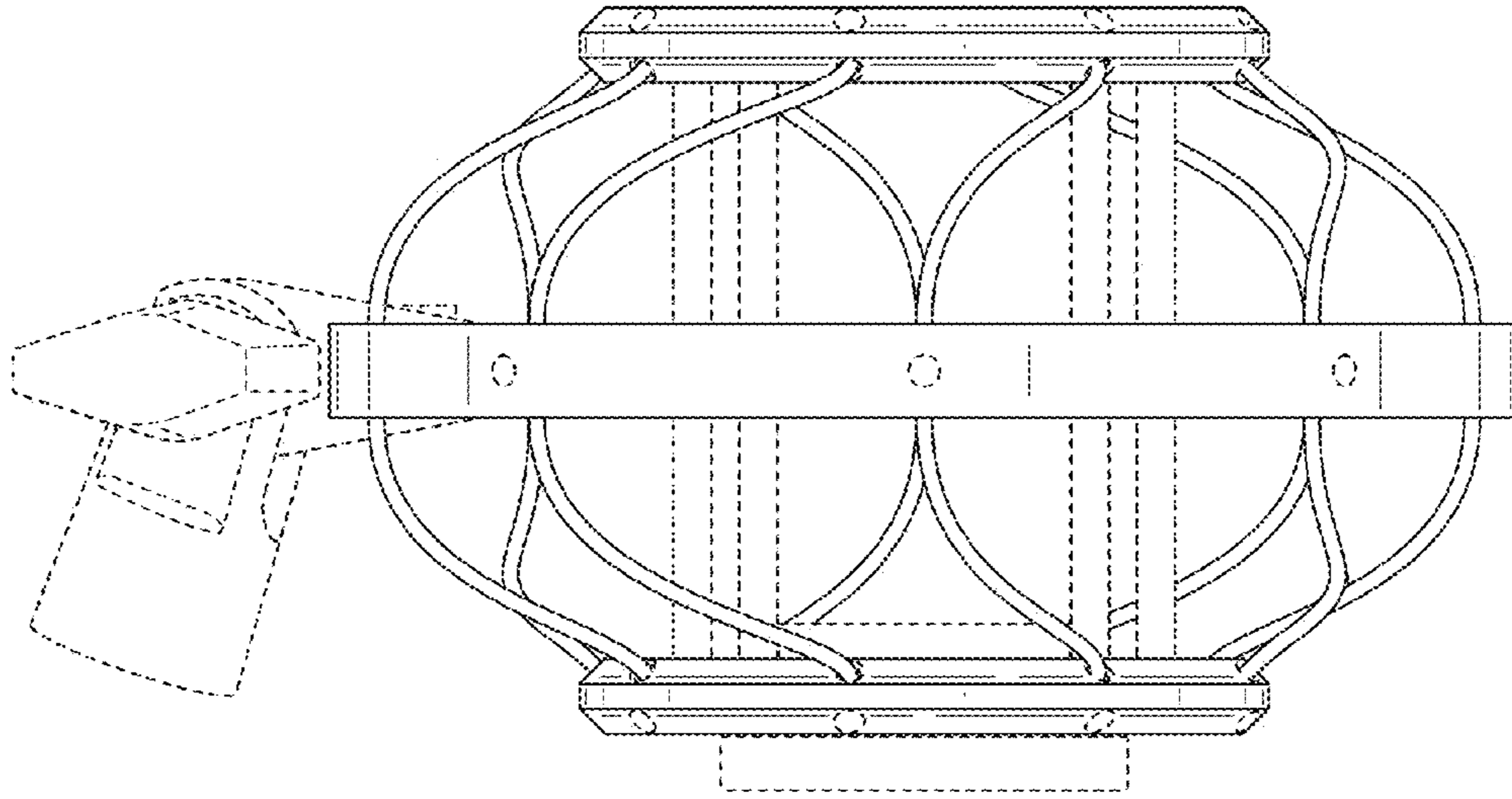


FIG. 4

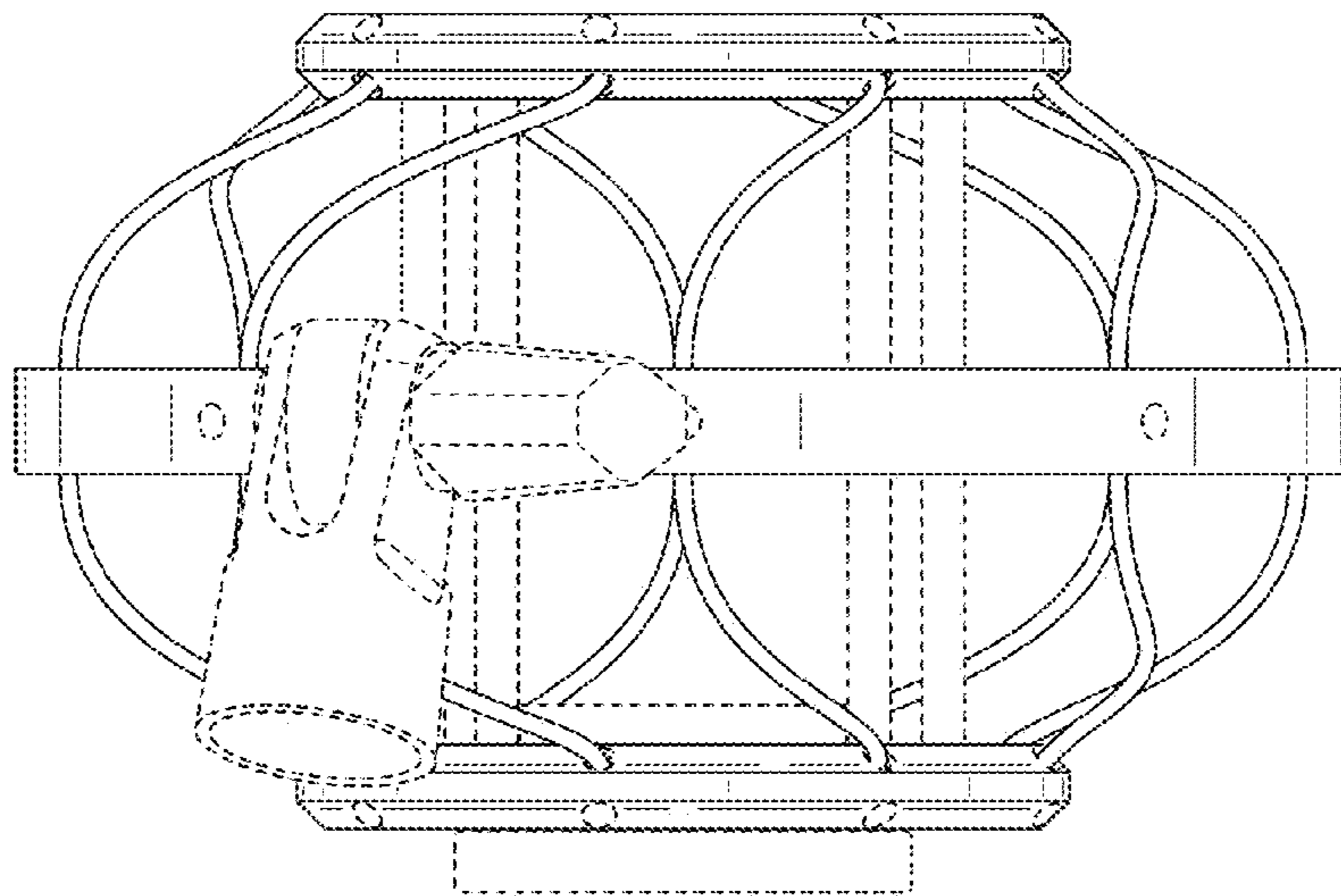


FIG. 5

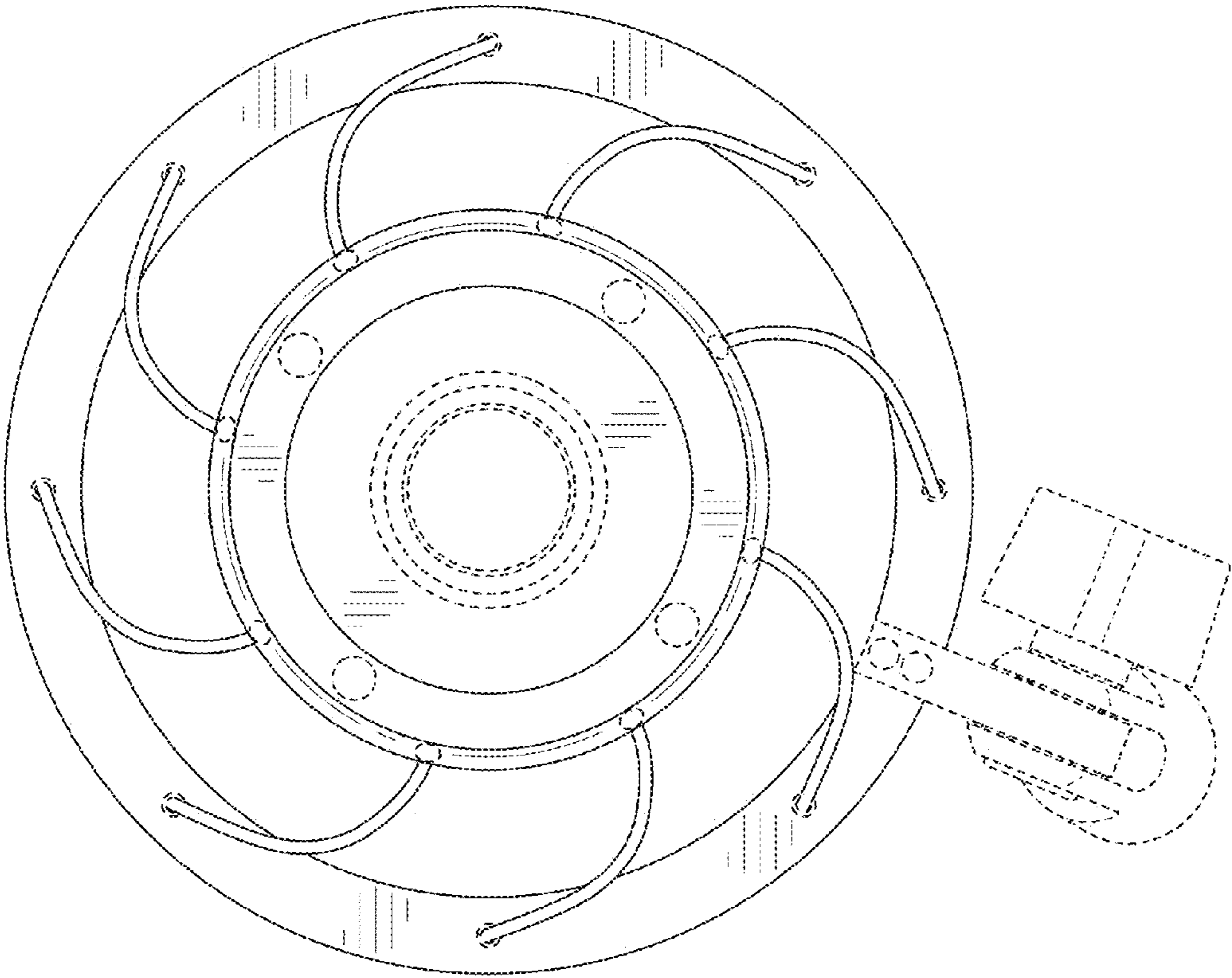


FIG. 6

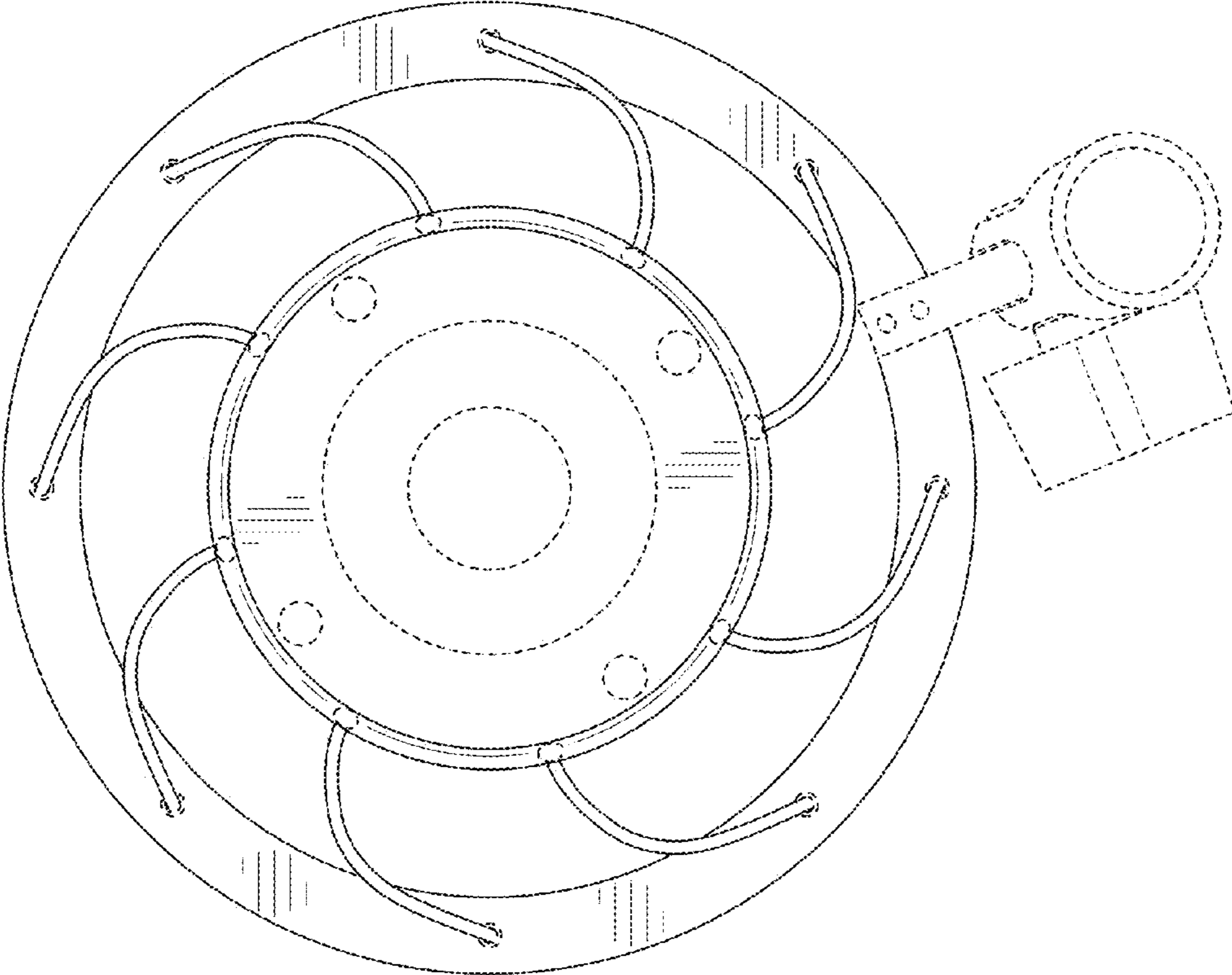


FIG. 7

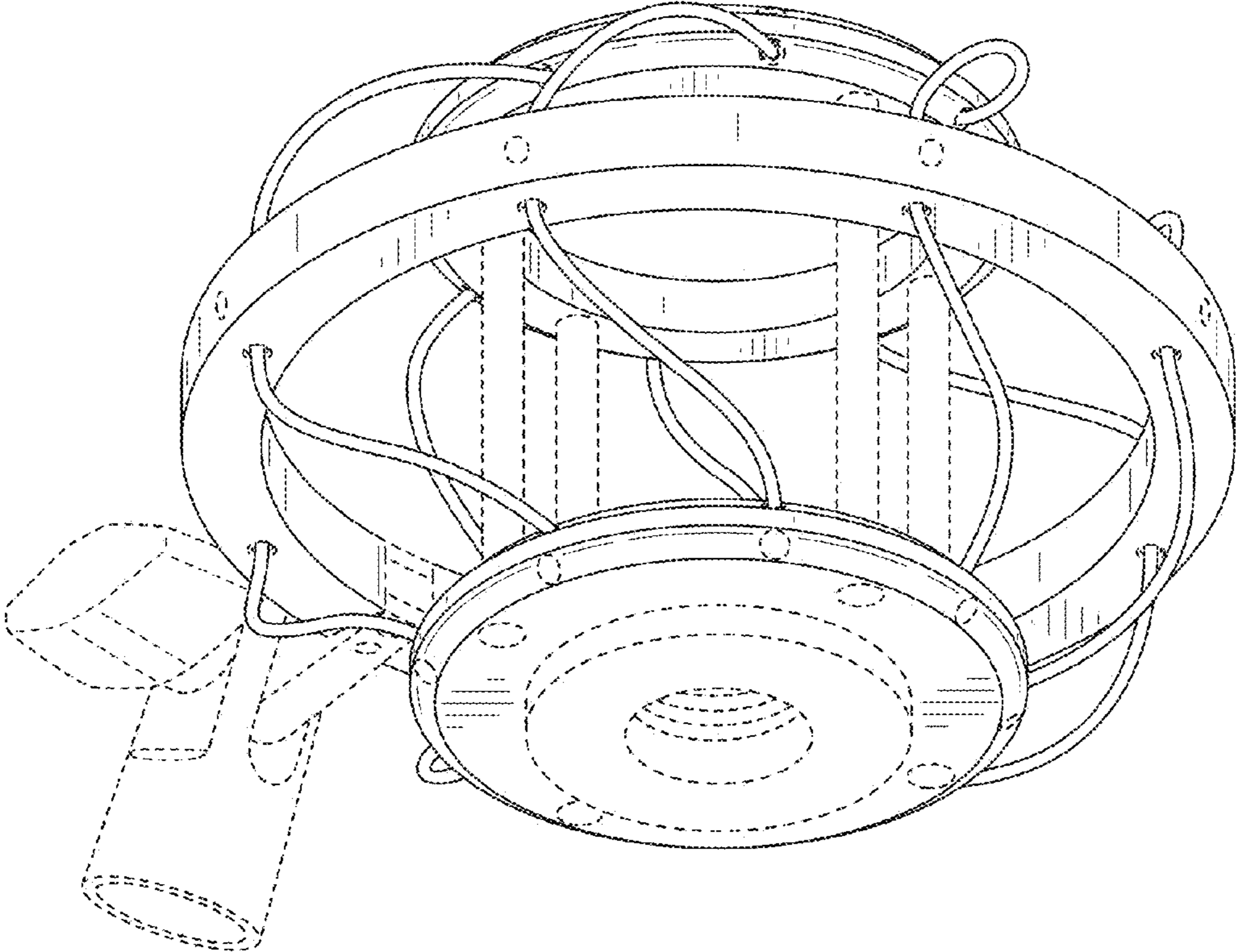


FIG. 8