



US00D706244S

(12) **United States Design Patent**
Goransson

(10) **Patent No.:** **US D706,244 S**
(45) **Date of Patent:** **** Jun. 3, 2014**

(54) **HEADSET**

(75) Inventor: **Magnus Walter Goransson**, Dalby (SE)

(73) Assignee: **GN Netcom A/S** (DK)

(**) Term: **14 Years**

(21) Appl. No.: **29/429,785**

(22) Filed: **Aug. 16, 2012**

(30) **Foreign Application Priority Data**

Feb. 16, 2012 (EM) 001993015-0001
Feb. 16, 2012 (EM) 001993015-0002

(51) **LOC (10) Cl.** **14-01**

(52) **U.S. Cl.**
USPC **D14/225**; D14/226

(58) **Field of Classification Search**
USPC D14/172, 192, 204, 205, 206, 207,
D14/210–216, 223, 225–229; 181/143–144,
181/147–148, 150–153, 157, 198–199, 158,
181/242; 381/300–303, 306, 332–333, 336,
381/345, 361–364, 386–388
See application file for complete search history.

(56) **References Cited**

U.S. PATENT DOCUMENTS

D436,348 S 1/2001 McGugan
D448,749 S * 10/2001 Weikel et al. D14/206
D463,783 S 10/2002 Rath
D514,086 S * 1/2006 Skulley D14/206
D517,528 S * 3/2006 Skulley D14/206
D529,900 S * 10/2006 Skulley et al. D14/223

D531,165 S * 10/2006 Rath D14/206
D533,166 S * 12/2006 Marquez D14/225
7,519,196 B2 * 4/2009 Bech 381/371
D628,189 S 11/2010 Rath
D643,405 S * 8/2011 Rath D14/206
D673,524 S * 1/2013 Brennwald D14/206
2011/0228925 A1 * 9/2011 Birch 379/428.02

* cited by examiner

Primary Examiner — Prabhakar Deshmukh
Assistant Examiner — Holly E Thurman
(74) *Attorney, Agent, or Firm* — Altera Law Group, LLC

(57) **CLAIM**

The ornamental design for a headset, as shown and described.

DESCRIPTION

FIG. 1 is a front perspective view of a microphone showing my design;
FIG. 2 is the front elevation view thereof;
FIG. 3 is a right elevation view thereof;
FIG. 4 is a left elevation view thereof;
FIG. 5 is a top plan view thereof;
FIG. 6 is a bottom plan view thereof;
FIG. 7 is a front perspective view thereof, showing in second environmental use;
FIG. 8 is a front elevation view thereof;
FIG. 9 is a right elevation view thereof;
FIG. 10 is a left elevation view thereof;
FIG. 11 is a top plan view thereof; and,
FIG. 12 is a bottom plan view thereof.
The broken line portion of the figure drawings is included to show unclaimed subject matter only and forms no part of the claimed design.

1 Claim, 8 Drawing Sheets

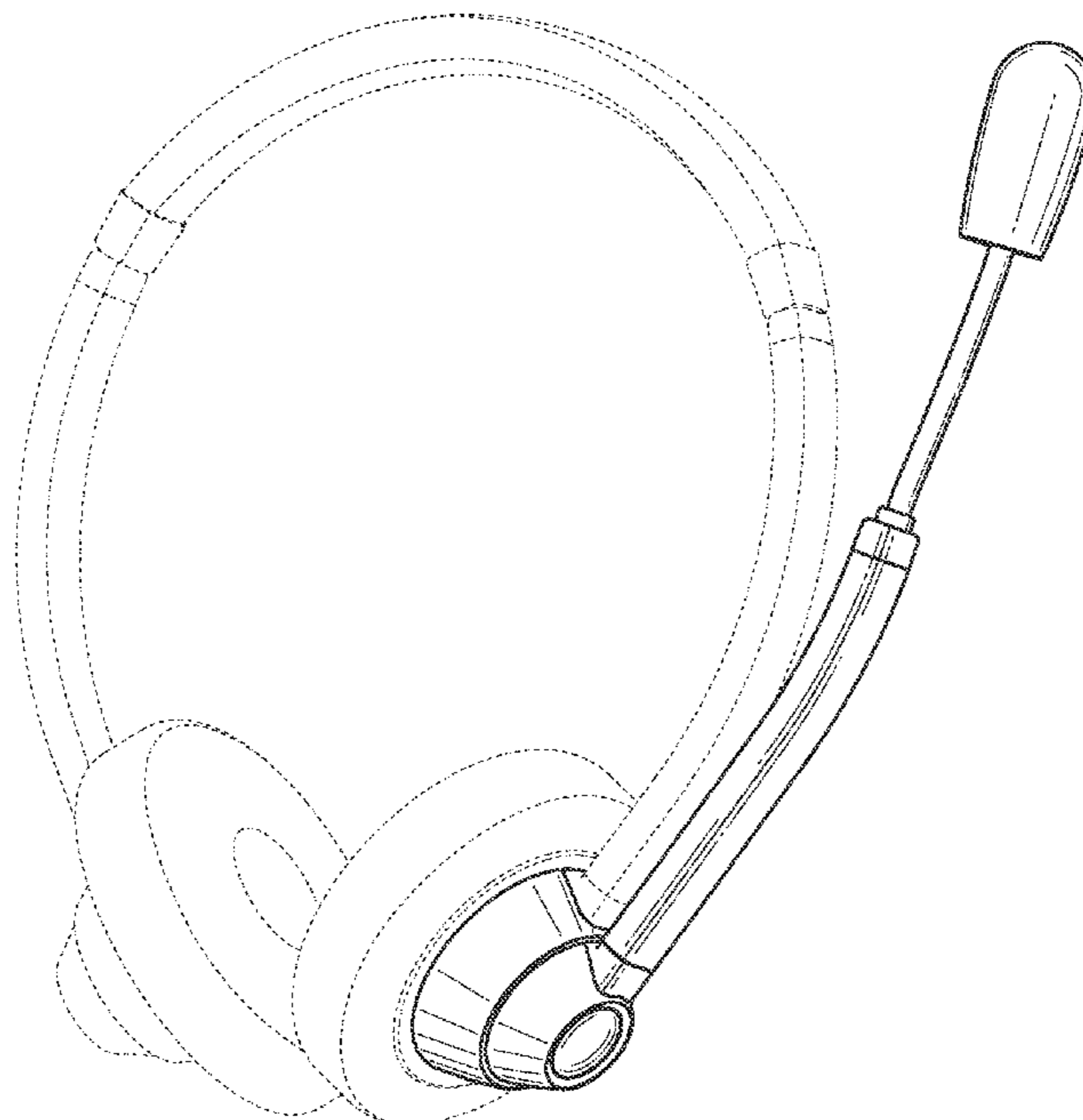




Fig. 1

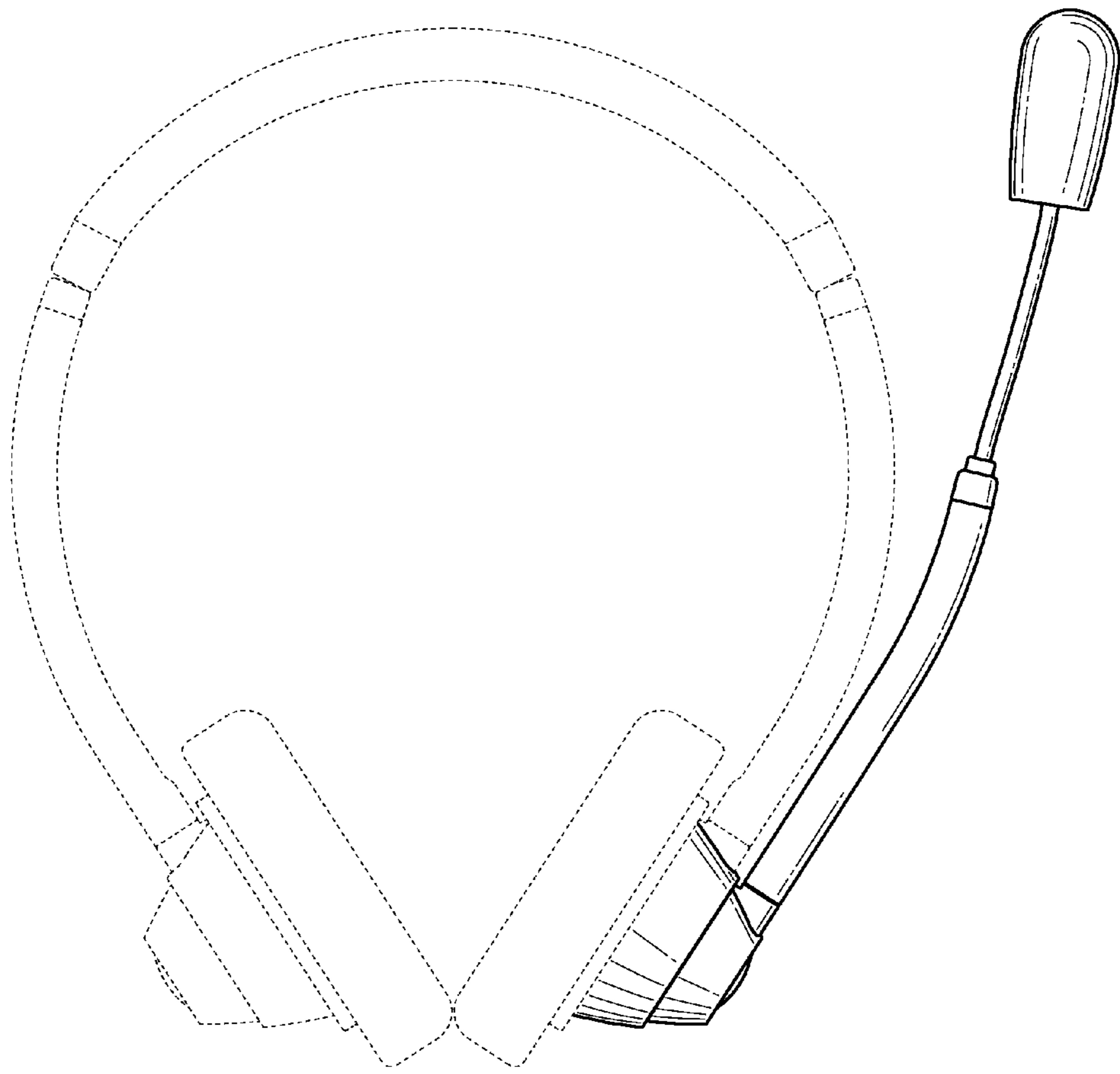


Fig. 2

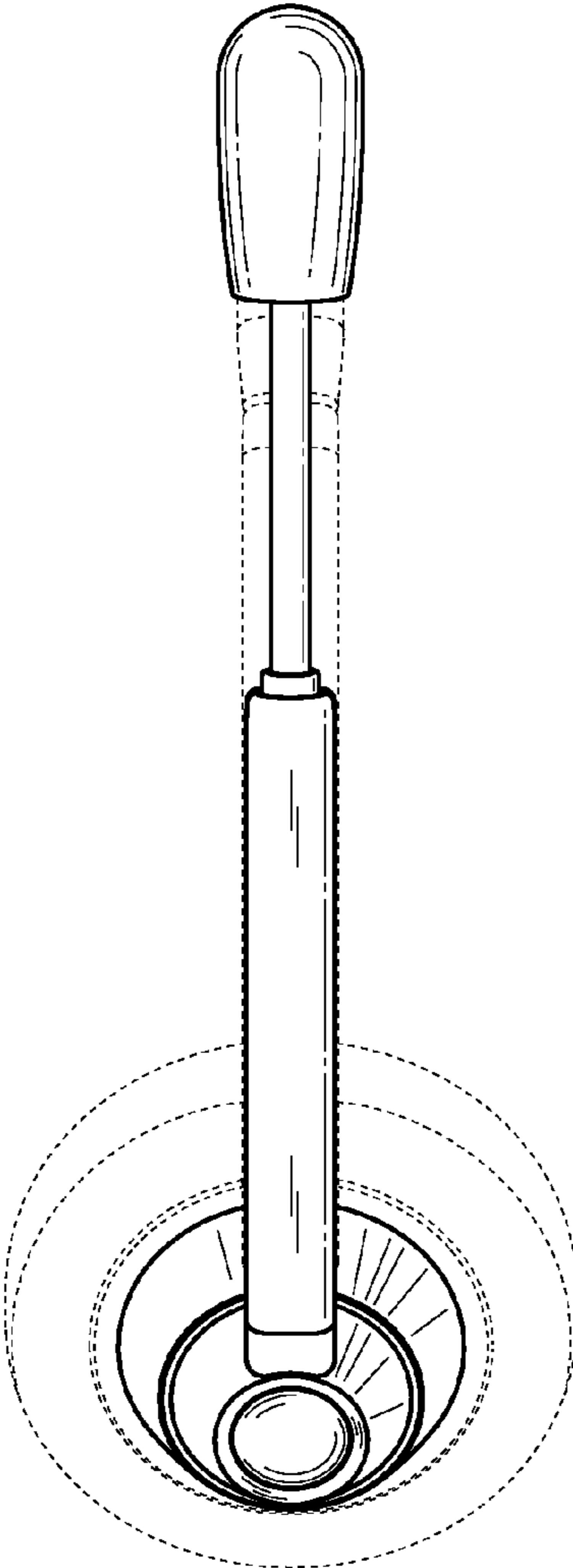


Fig. 3

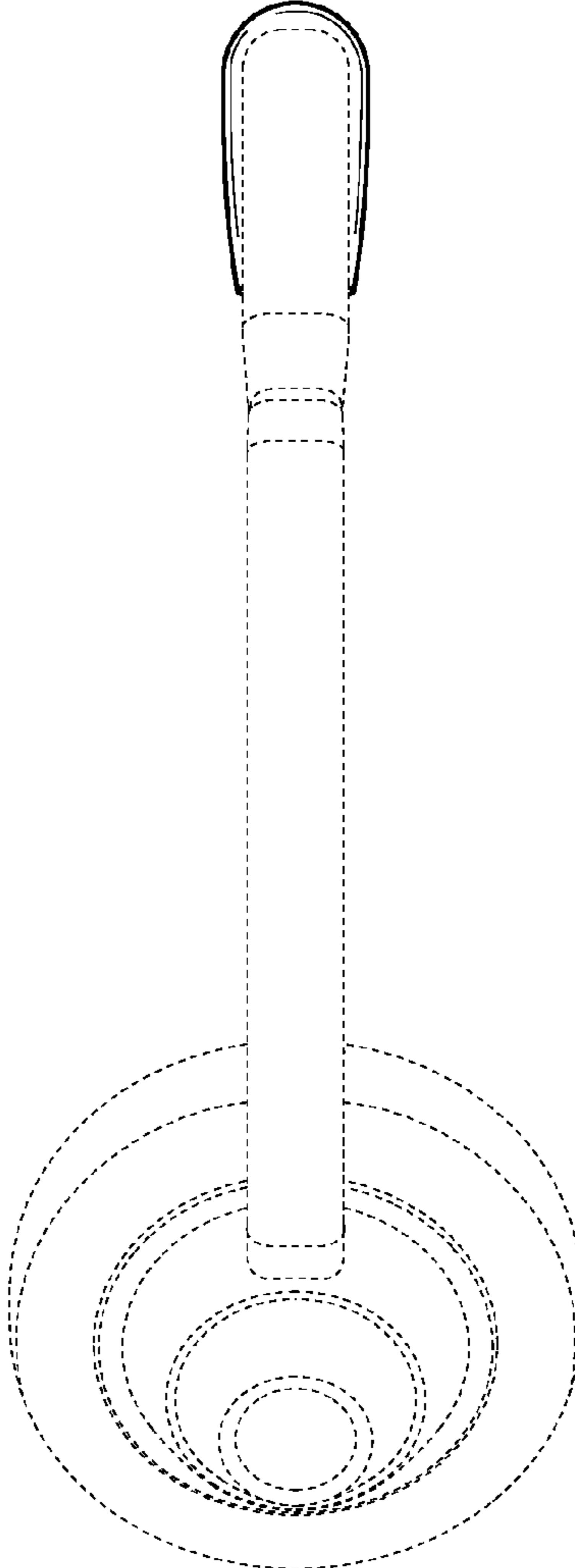


Fig. 4

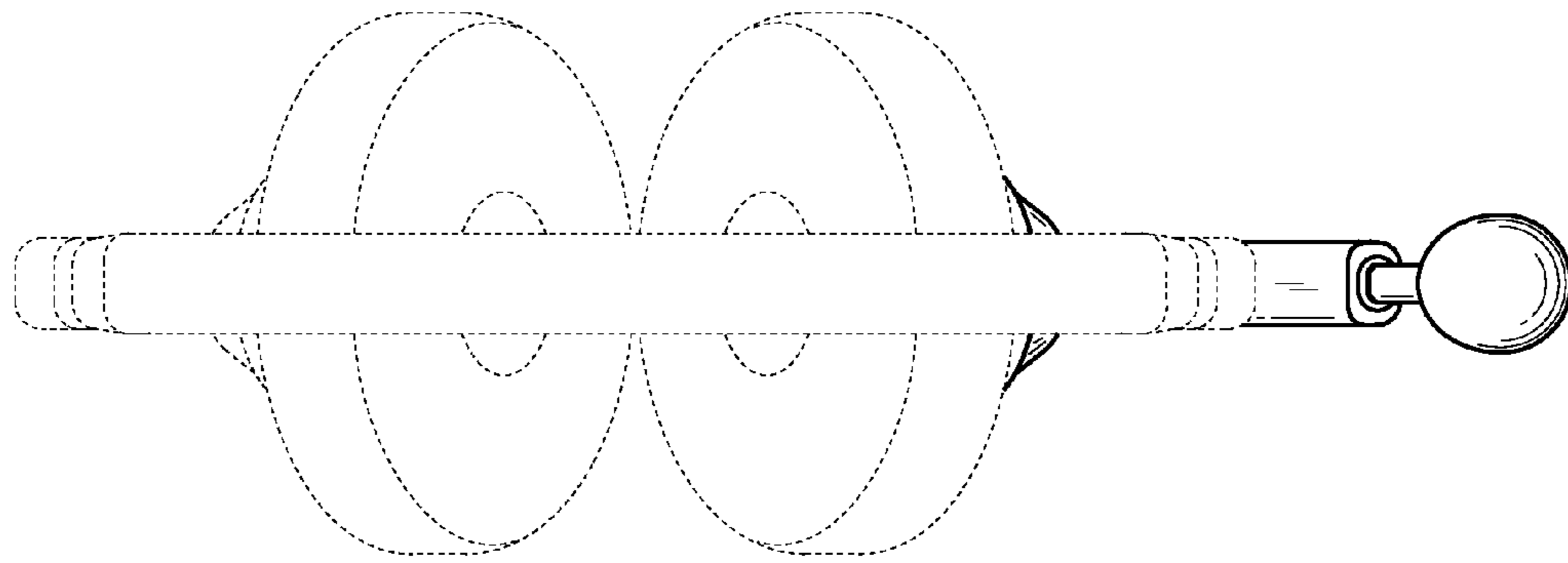


Fig. 5

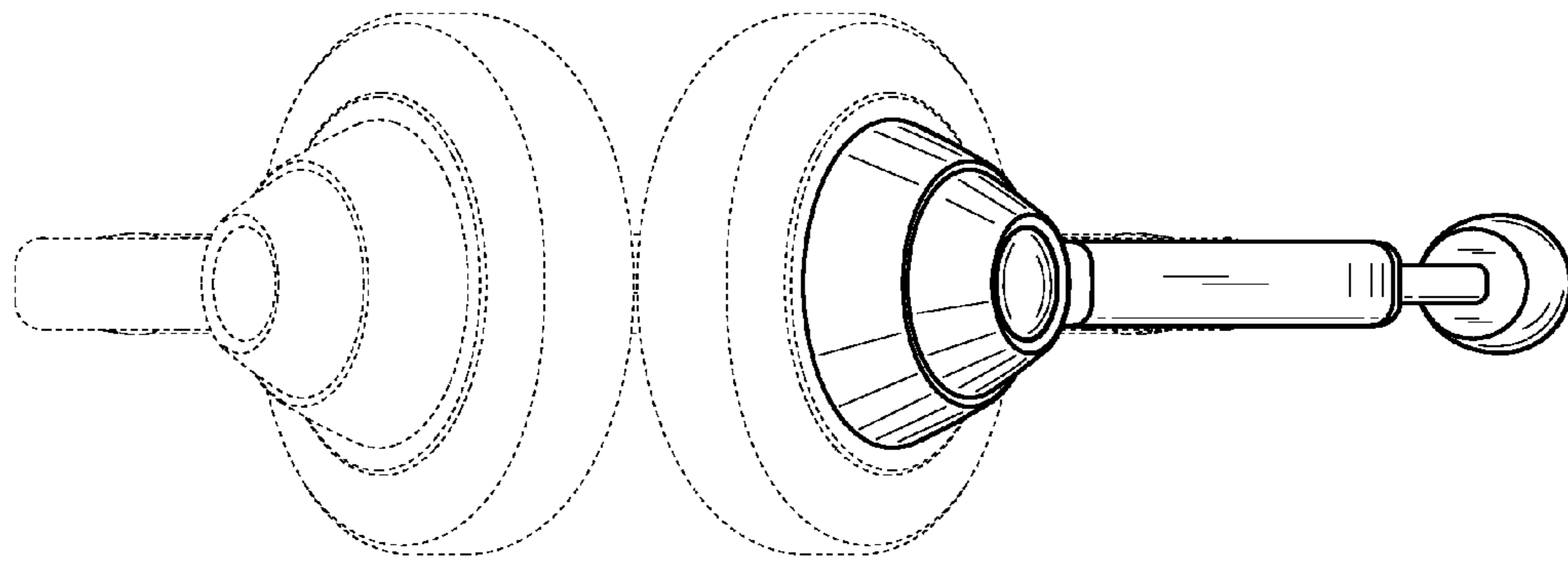


Fig. 6

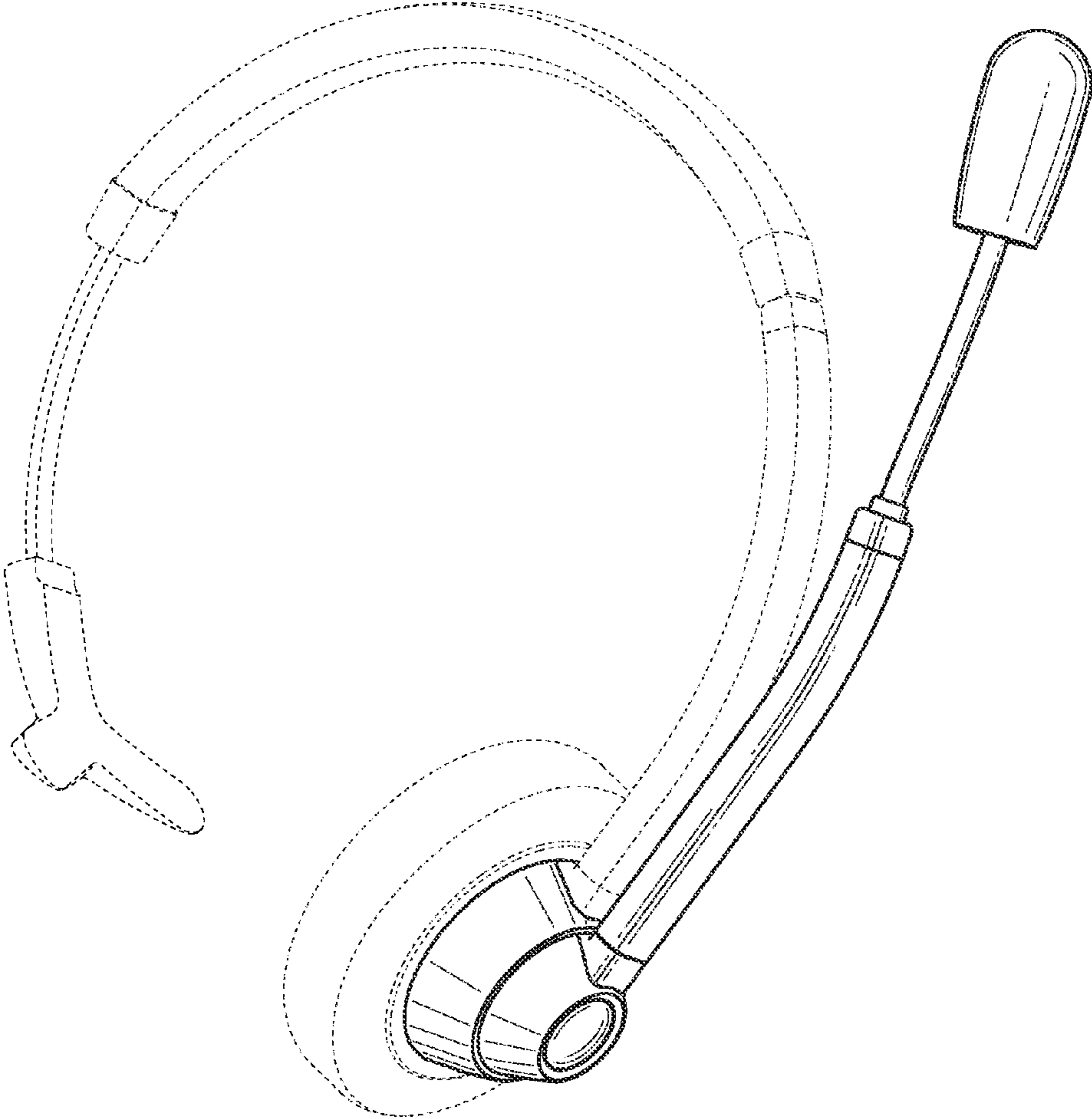


Fig. 7

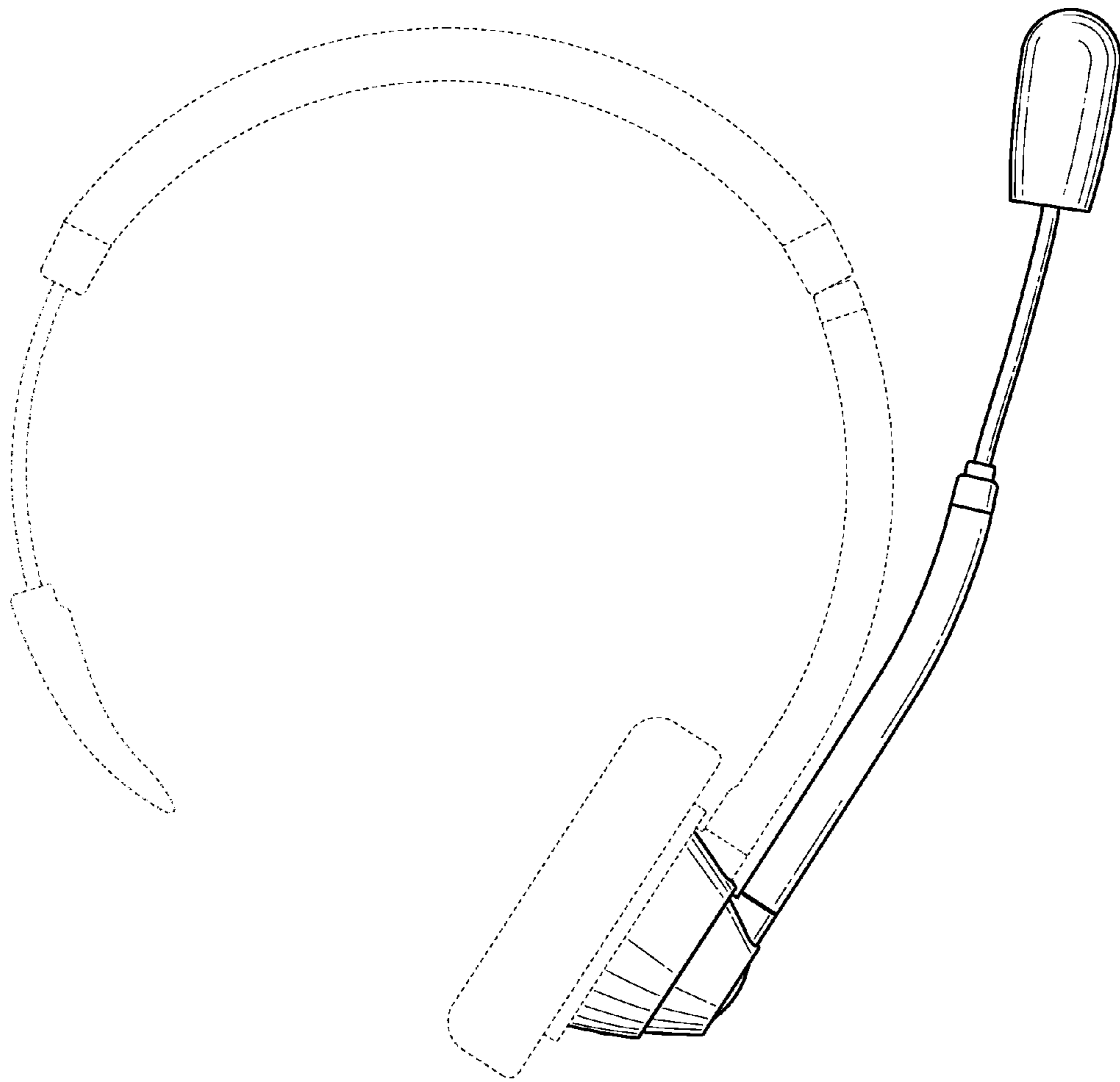


Fig. 8

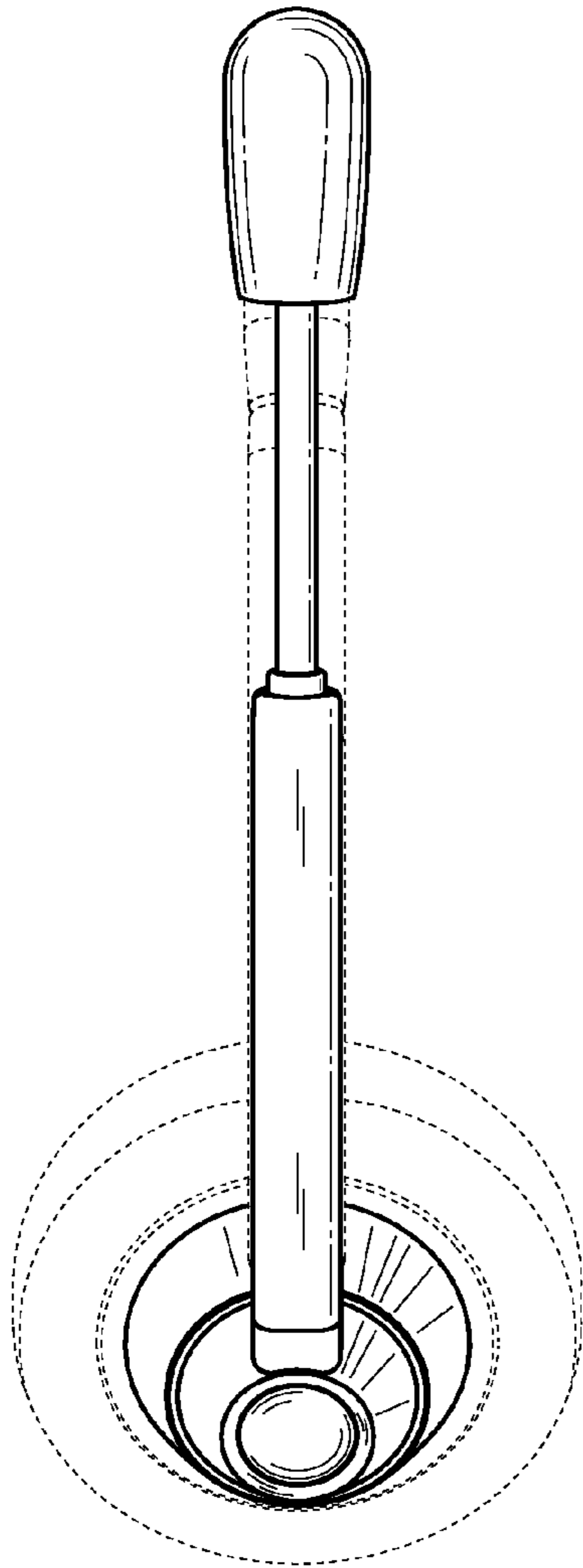


Fig. 9

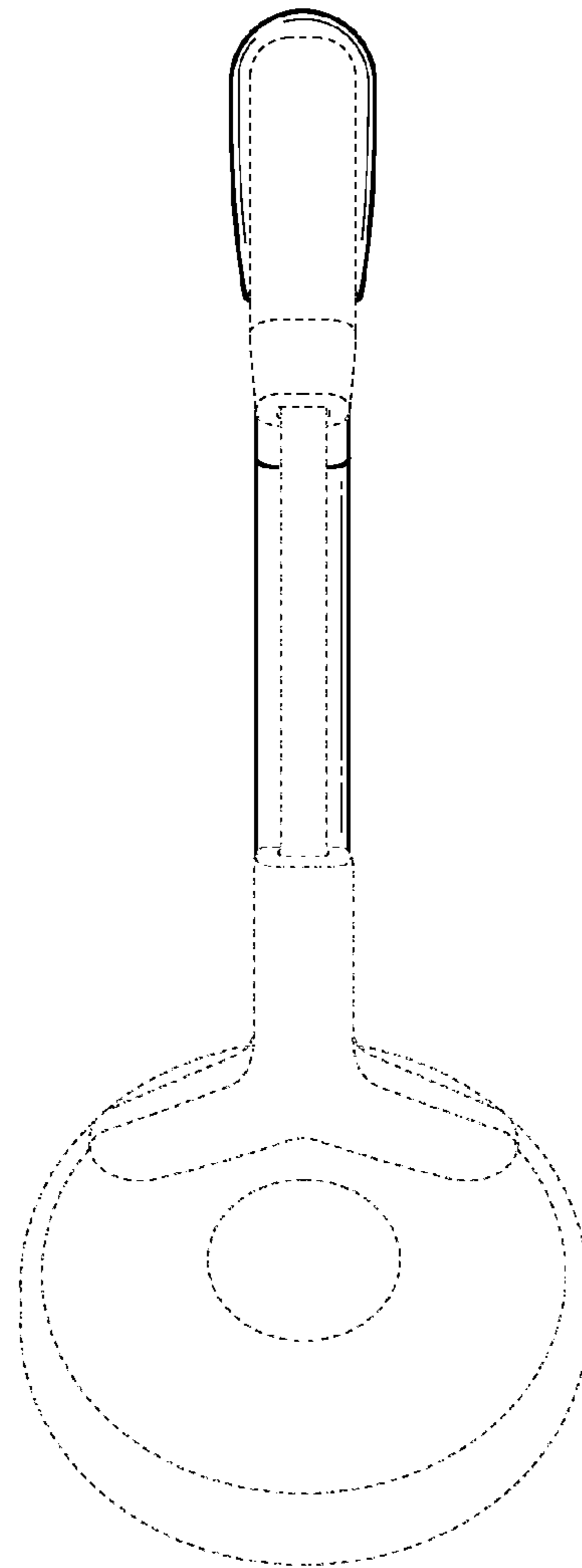


Fig. 10

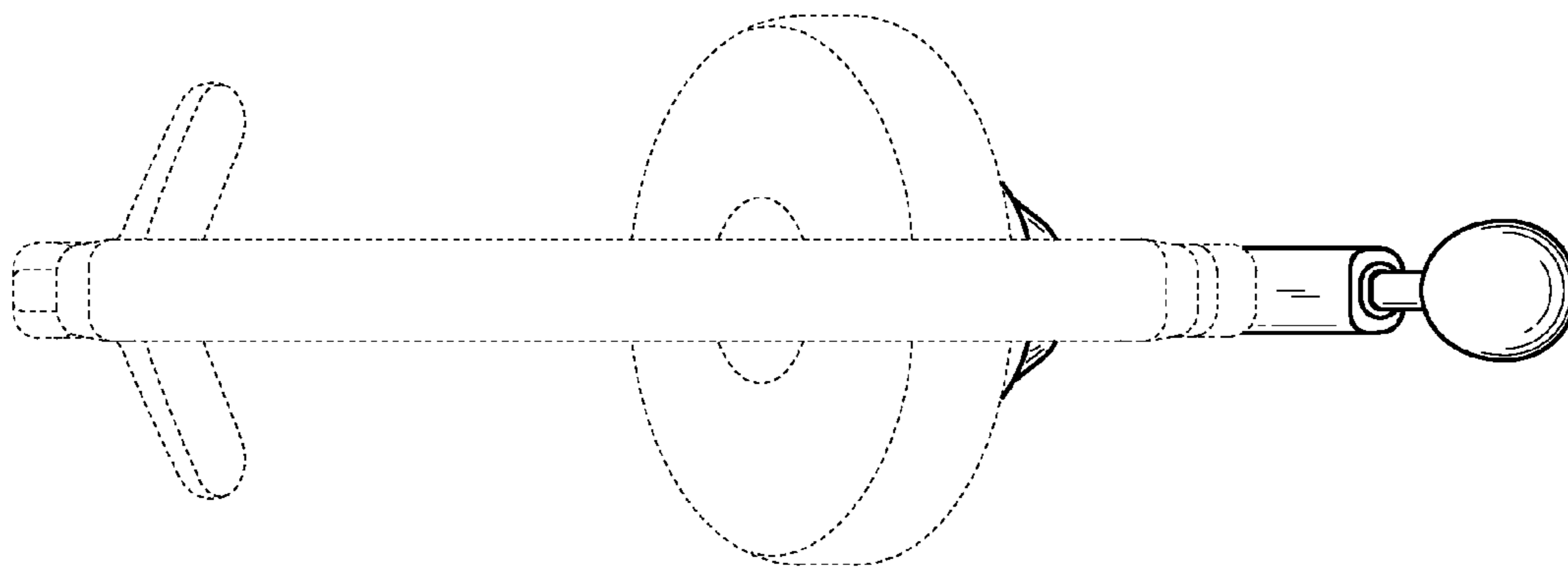


Fig. 11

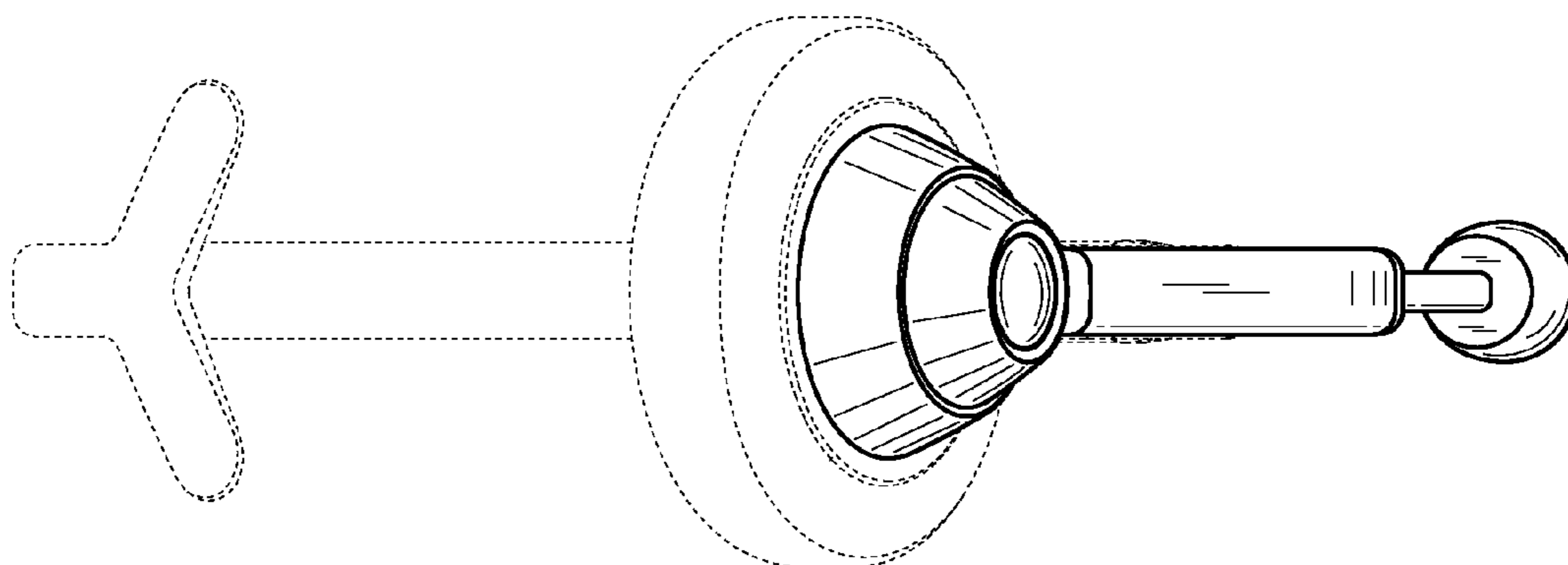


Fig. 12