



US00D706243S

(12) **United States Design Patent**
Brandis

(10) **Patent No.:** **US D706,243 S**
(45) **Date of Patent:** **** Jun. 3, 2014**

(54) **WIRELESS HEADSET**

(71) Applicant: **Sennheiser Communications A/S,**
Solroed Strand (DK)

(72) Inventor: **Michael Brandis,** Nuremberg (DE)

(73) Assignee: **Sennheiser Communications A/S,**
Solroed Strand (DK)

(**) Term: **14 Years**

(21) Appl. No.: **29/454,702**

(22) Filed: **May 13, 2013**

(30) **Foreign Application Priority Data**

Nov. 12, 2012 (EM) 002134049-0001

(51) **LOC (10) Cl.** **14-01**

(52) **U.S. Cl.**
CPC **H04M 1/00** (2013.01)
USPC **D14/223; D14/206**

(58) **Field of Classification Search**
CPC H04M 1/00
USPC D14/223, 206; 181/129, 130, 135;
379/430, 431; 381/380, 381; 455/90.3,
455/575.1, 569.1
See application file for complete search history.

(56) **References Cited**

U.S. PATENT DOCUMENTS

D461,791 S * 8/2002 Ma D14/206
6,868,284 B2 * 3/2005 Bae 455/575.2
D508,485 S * 8/2005 Katsumata D14/223
D533,540 S * 12/2006 Murray D14/205
D552,596 S * 10/2007 Christopher D14/205
D552,602 S * 10/2007 Sade et al. D14/223
D554,626 S * 11/2007 Christopher D14/223
D555,151 S * 11/2007 Eklund D14/223

D559,836 S * 1/2008 Lee D14/223
D561,743 S * 2/2008 Huang et al. D14/223
D562,309 S * 2/2008 Choi et al. D14/223
D562,310 S * 2/2008 Moon et al. D14/223
D566,105 S * 4/2008 Yang et al. D14/223
D573,582 S * 7/2008 Ma D14/205
D574,366 S * 8/2008 Sade et al. D14/223
D590,813 S * 4/2009 Bradford et al. D14/223
D590,814 S * 4/2009 Bradford D14/223
D602,475 S * 10/2009 Martin D14/223
D606,521 S * 12/2009 Birger D14/223
D617,779 S * 6/2010 Nylen D14/223
D618,221 S * 6/2010 Fahrendorff et al. D14/223
D619,998 S * 7/2010 Birger D14/223
D623,629 S * 9/2010 Lau D14/223
D625,711 S * 10/2010 Yang D14/223
D630,620 S * 1/2011 Lee et al. D14/223
D634,305 S * 3/2011 Hoggarth D14/223
7,925,037 B2 * 4/2011 Te Riet 381/381
8,139,781 B2 * 3/2012 Cheng et al. 381/74

(Continued)

Primary Examiner — Paula Greene

(74) *Attorney, Agent, or Firm* — Birch, Stewart, Kolasch & Birch, LLP

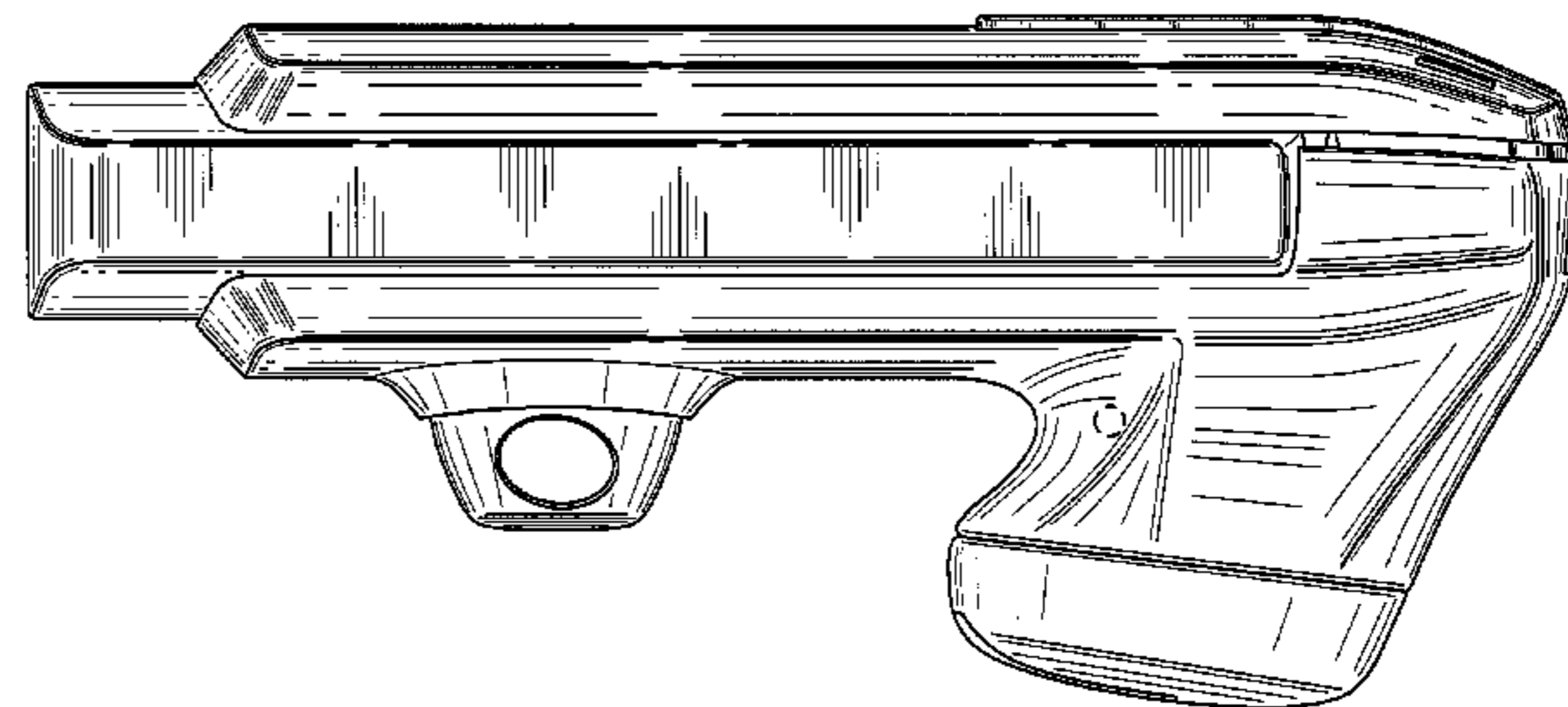
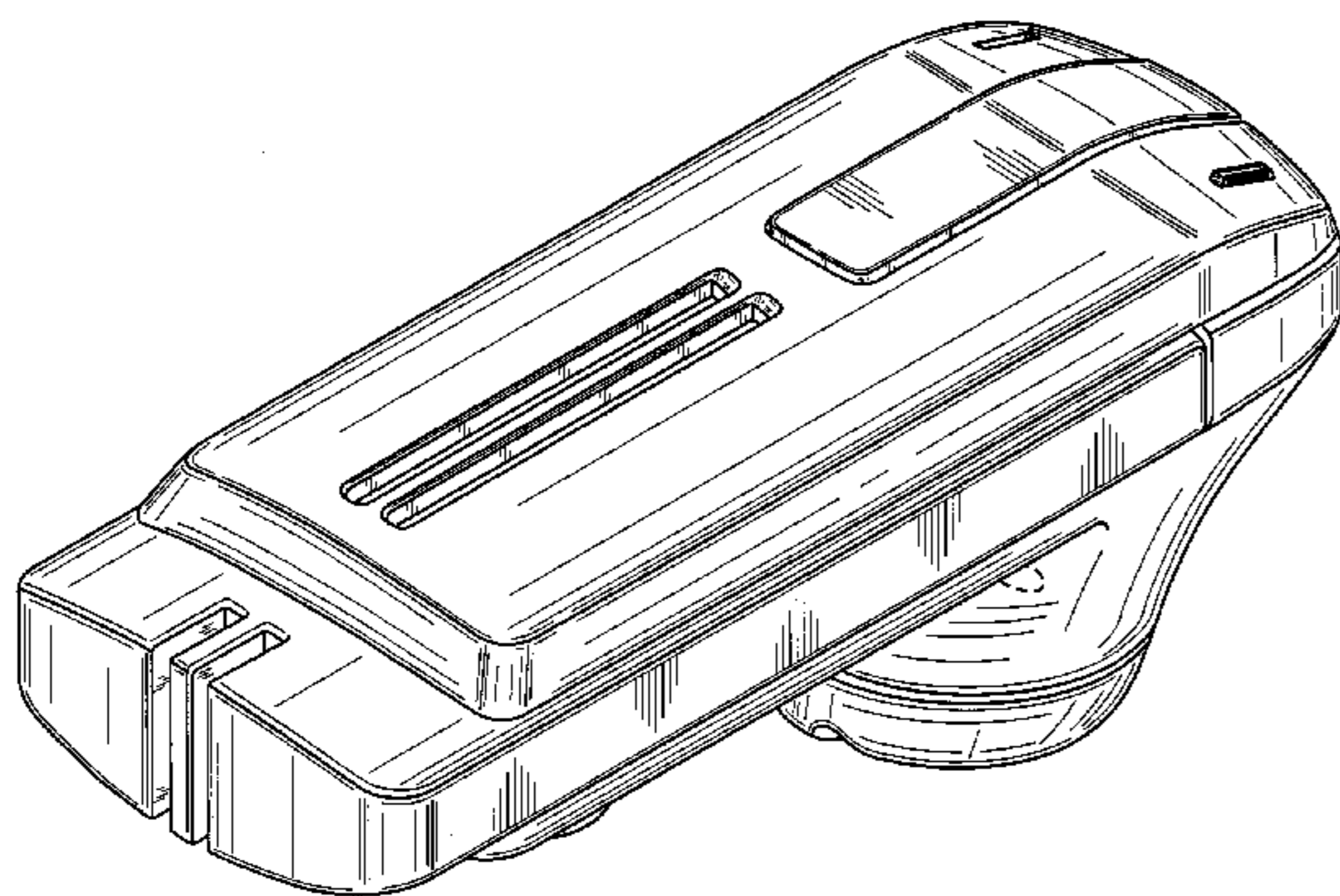
(57) **CLAIM**

The ornamental design for an wireless headset, as shown and described.

DESCRIPTION

FIG. 1 is a perspective view of the wireless headset; FIG. 2 is a front view of the wireless headset; FIG. 3 is a rear view of the wireless headset; FIG. 4 is a left side view of the wireless headset; FIG. 5 is a right side view of the wireless headset; FIG. 6 is a top side view of the wireless headset; and, FIG. 7 is a bottom view of the wireless headset. The broken lines in the drawings are for purposes of illustration and form no part of the claimed design.

1 Claim, 7 Drawing Sheets



US D706,243 S

Page 2

(56)

References Cited

U.S. PATENT DOCUMENTS

D662,088 S *	6/2012	Brandis et al.	D14/223	
D669,887 S *	10/2012	Maddern	D14/223	* cited by examiner
D690,288 S *	9/2013	Son	D14/223	
D696,647 S *	12/2013	Houghton et al.	D14/223	
2011/0261988 A1 *	10/2011	Kromann et al.	381/380	

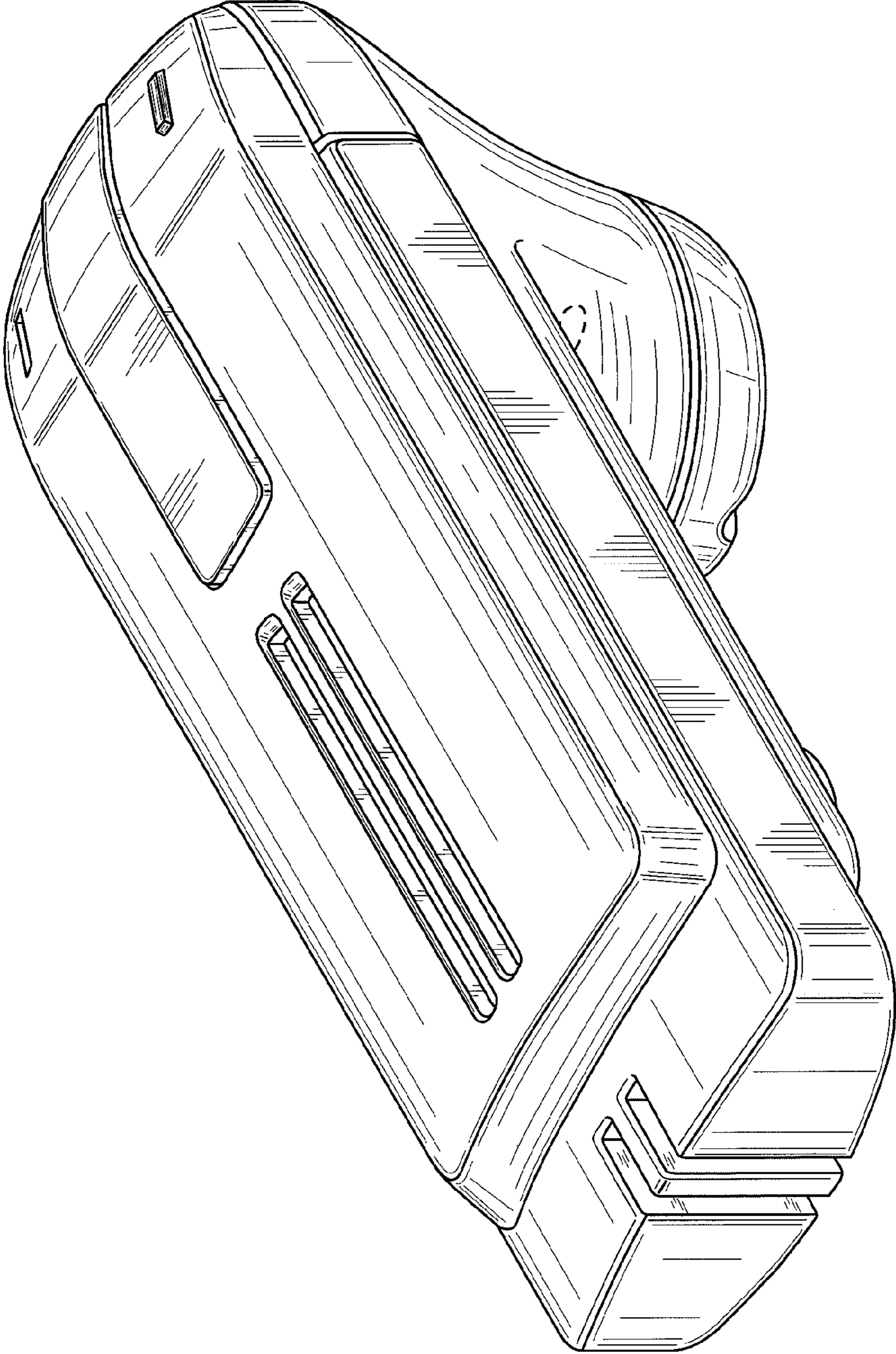


FIG. 1

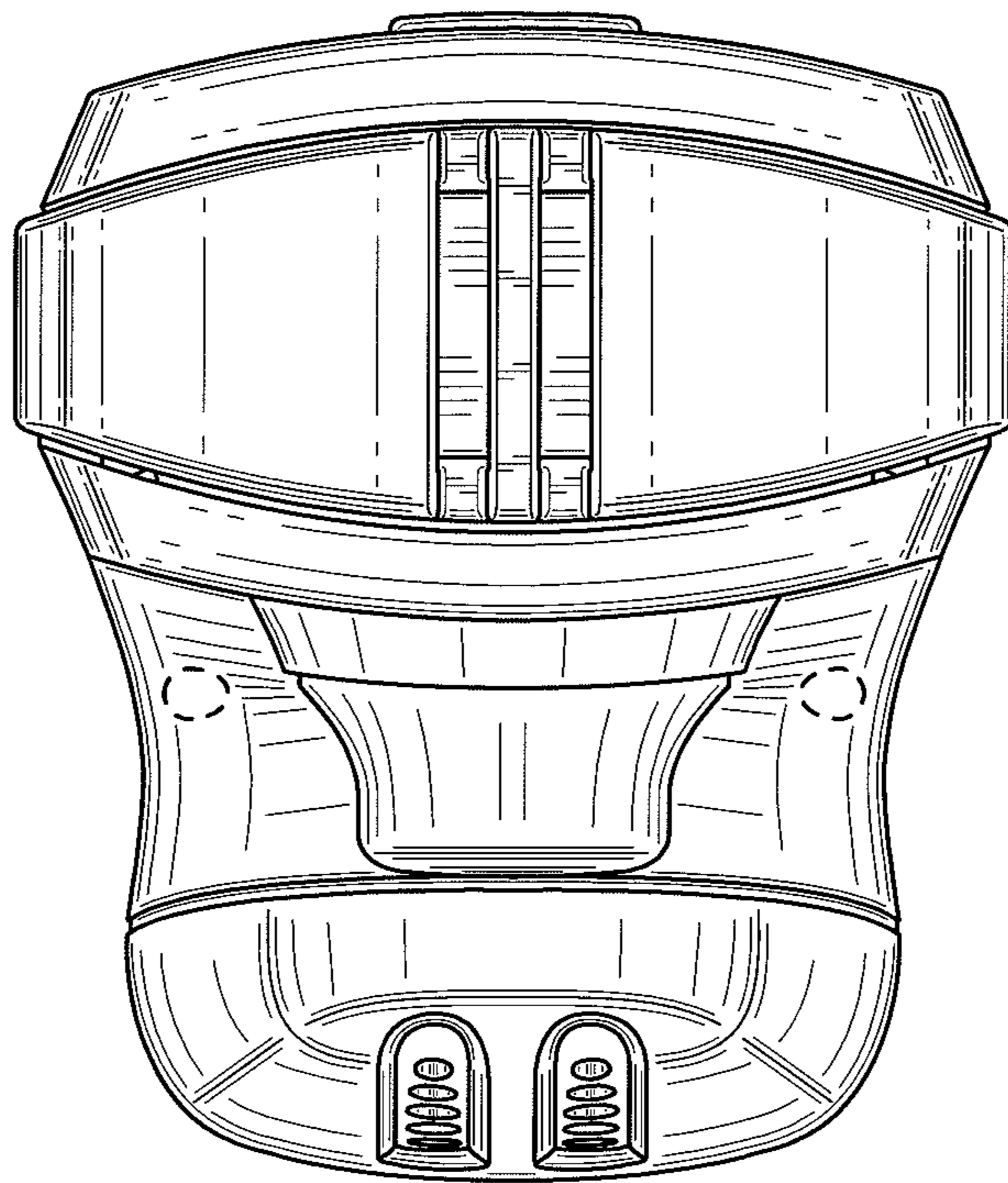


FIG. 2

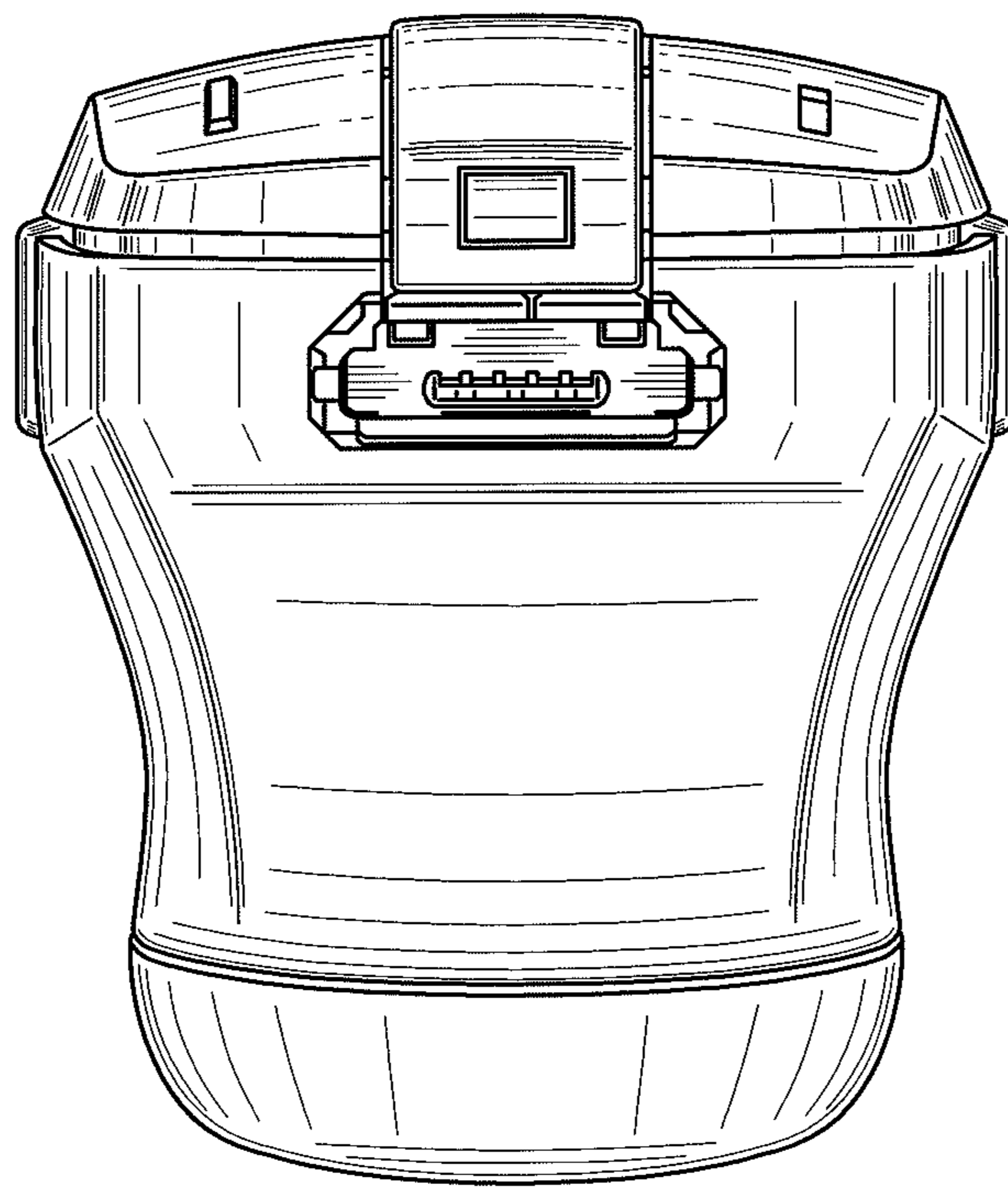


FIG. 3

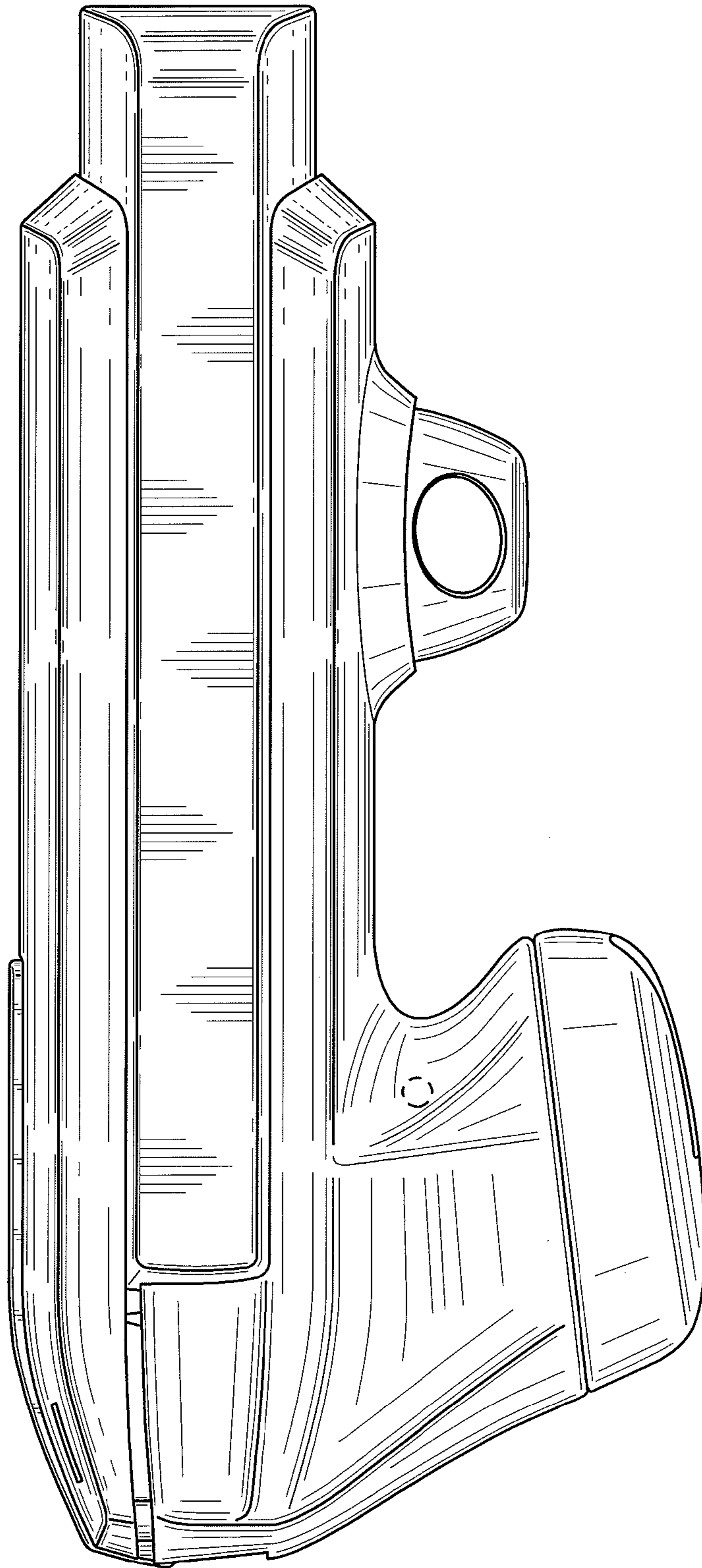


FIG. 4

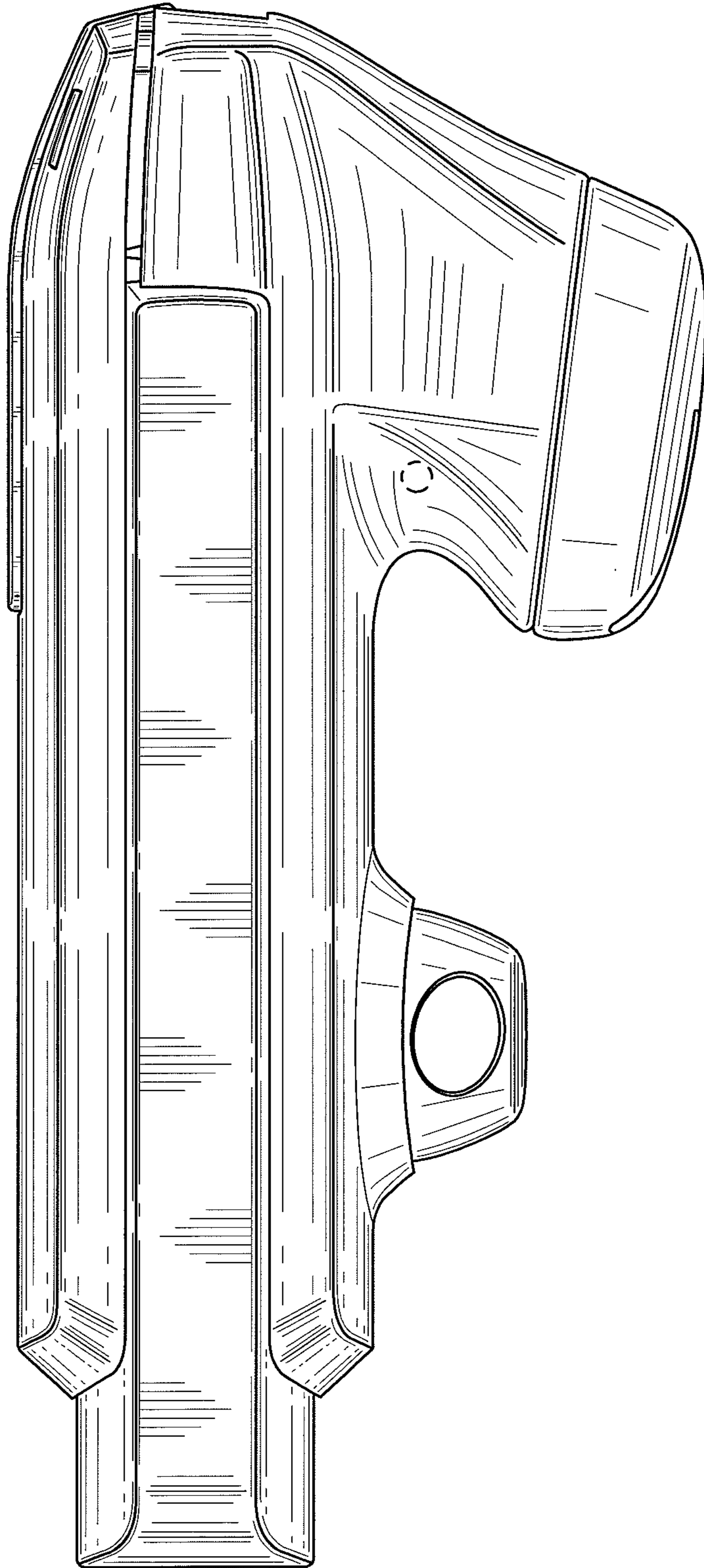


FIG. 5

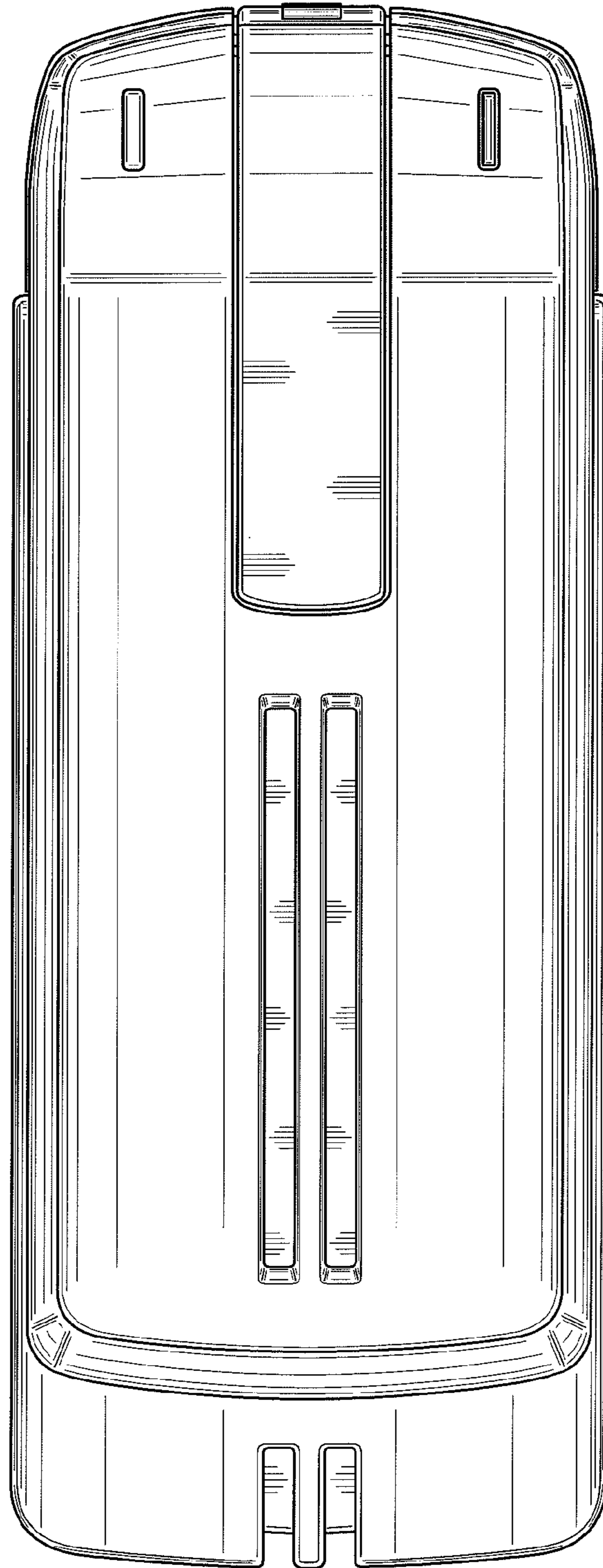


FIG. 6

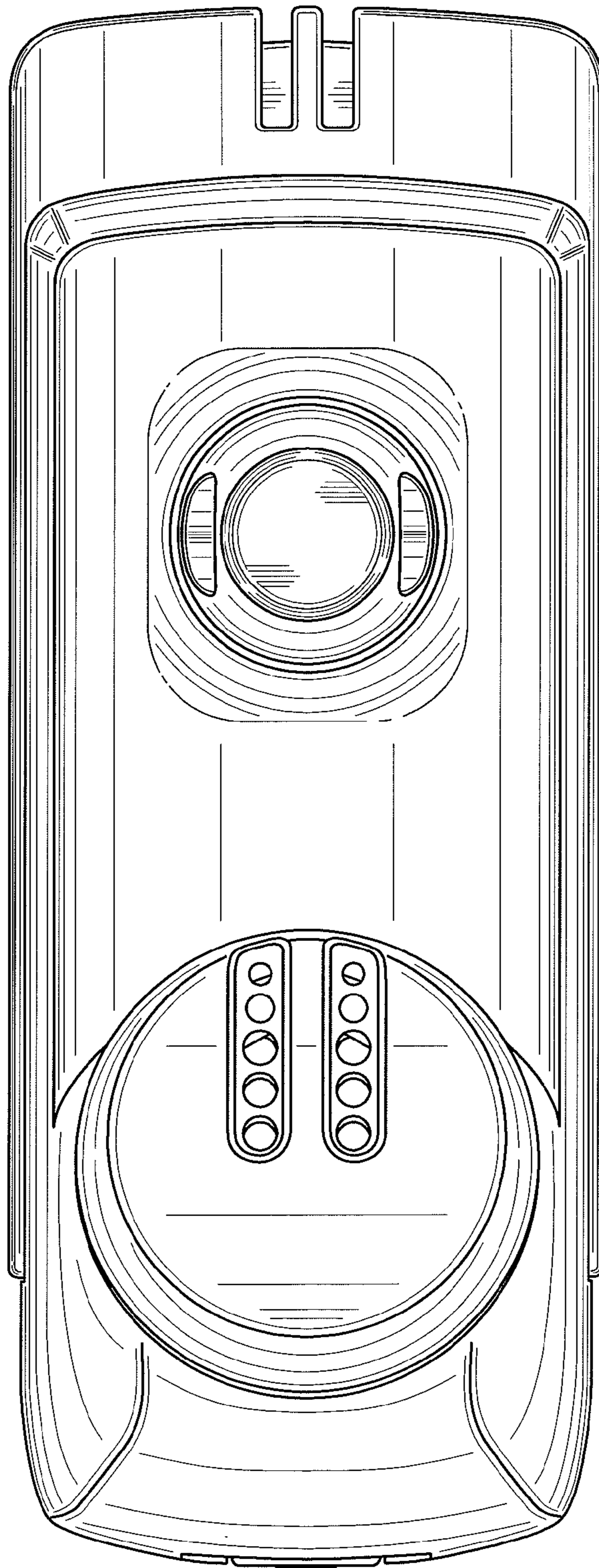


FIG. 7