



US00D706240S

(12) **United States Design Patent**
Szymanski et al.

(10) **Patent No.:** **US D706,240 S**
(45) **Date of Patent:** **** Jun. 3, 2014**

(54) **HEADPHONES**

(71) Applicants: **Aaron Szymanski**, Thomaston, CT
(US); **Greg Blonder**, Summit, NJ (US)

(72) Inventors: **Aaron Szymanski**, Thomaston, CT
(US); **Greg Blonder**, Summit, NJ (US)

(73) Assignee: **IdeaVillage Products, Inc.**, Wayne, NJ
(US)

(**) Term: **14 Years**

(21) Appl. No.: **29/442,997**

(22) Filed: **Jul. 2, 2013**

(51) **LOC (10) Cl.** **14-01**

(52) **U.S. Cl.**
CPC **H04R 1/1066** (2013.01)
USPC **D14/205**

(58) **Field of Classification Search**
CPC H04R 1/1066
USPC D14/205, 223; D29/112; 2/209;
181/129, 130, 135; 379/430, 431;
381/380, 381, 394, 379; 455/90.3,
455/575.1
See application file for complete search history.

(56) **References Cited**

U.S. PATENT DOCUMENTS

2,537,201	A *	1/1951	Amfitheatrof	181/136
4,404,434	A *	9/1983	Pelt et al.	381/383
4,634,816	A *	1/1987	O' Malley et al.	379/430
D297,324	S *	8/1988	Kohno	D14/205
D373,360	S *	9/1996	Kanno	D14/205
D375,312	S *	11/1996	Kanno	D14/205
D377,021	S *	12/1996	Isono	D14/205

6,081,604	A *	6/2000	Hikichi et al.	381/371
D457,512	S *	5/2002	Yoneda	D14/205
D502,938	S *	3/2005	Tokioka et al.	D14/205
7,072,483	B2 *	7/2006	Lenhard-Backhaus	381/383
7,388,960	B2 *	6/2008	Kuo et al.	381/186
D573,581	S *	7/2008	Gondo et al.	D14/205
D625,705	S *	10/2010	Ohuri et al.	D14/205
D632,668	S *	2/2011	Brunner et al.	D14/205
D639,776	S *	6/2011	Arimoto	D14/205
8,098,872	B2 *	1/2012	Chang	381/371
D657,344	S *	4/2012	Brunner et al.	D14/205
D673,136	S *	12/2012	Kelly et al.	D14/205
D678,860	S *	3/2013	Hagelin	D14/205

* cited by examiner

Primary Examiner — Paula Greene

(74) *Attorney, Agent, or Firm* — Dan M. DeLaRosa

(57) **CLAIM**

The ornamental design for headphones, as shown and described.

DESCRIPTION

FIG. 1 is a front perspective view of the headphones of the present invention showing my new design;
FIG. 2 is a front side elevational view thereof;
FIG. 3 is a back side elevational view thereof;
FIG. 4 is a side elevational view thereof;
FIG. 5 is another side elevational view thereof;
FIG. 6 is a top plan view thereof;
FIG. 7 is a bottom plan view thereof;
FIG. 8 is perspective view of FIG. 1 in a folded position;
FIG. 9 is a front side view of FIG. 2 in a folded position;
FIG. 10 is a top plan view of FIG. 6 in a folded position; and,
FIG. 11 is a bottom plan view of FIG. 7 in a folded position.
The broken lines form no part of the claimed design.

1 Claim, 8 Drawing Sheets





FIG. 1

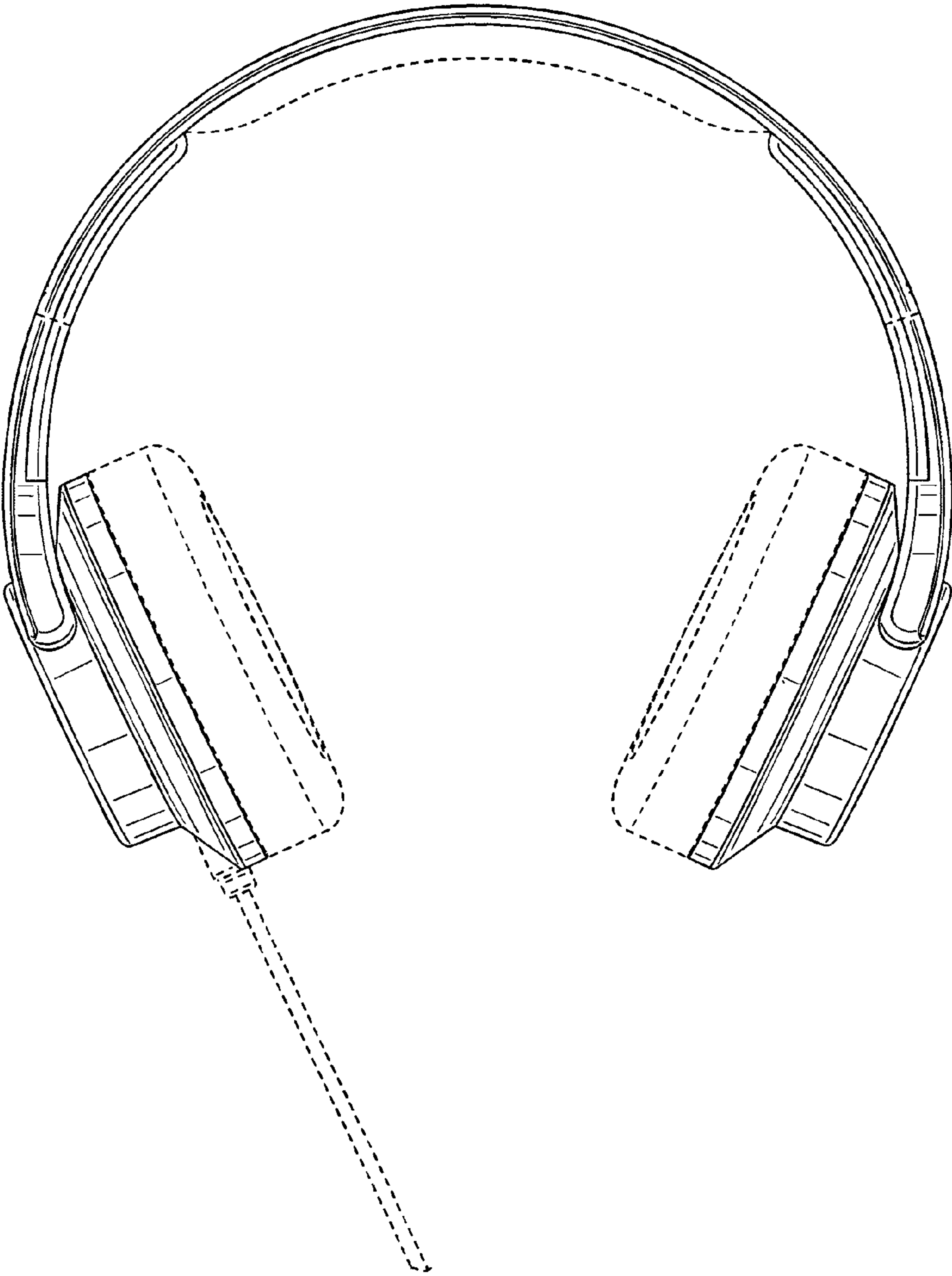


FIG. 2

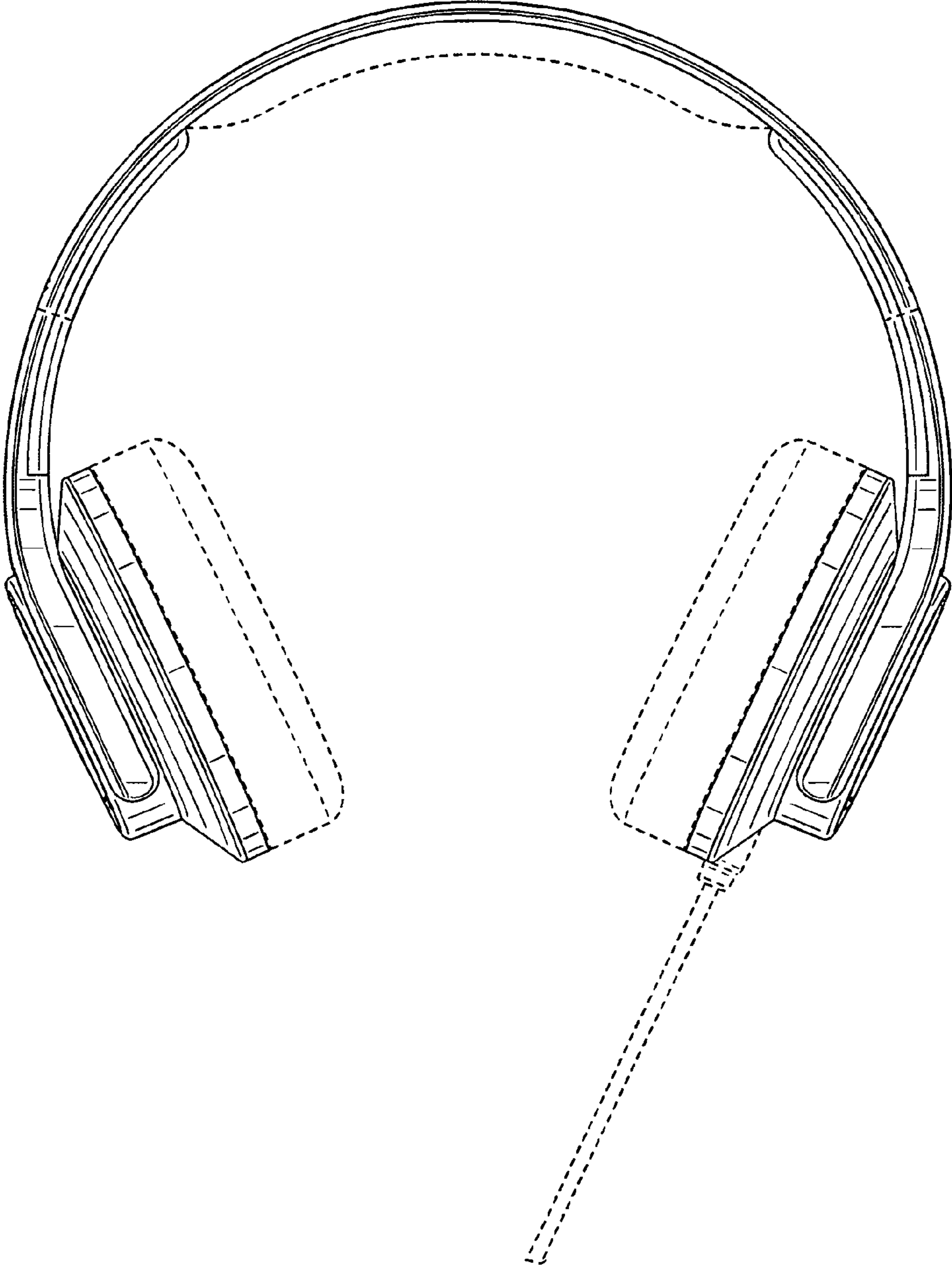


FIG. 3

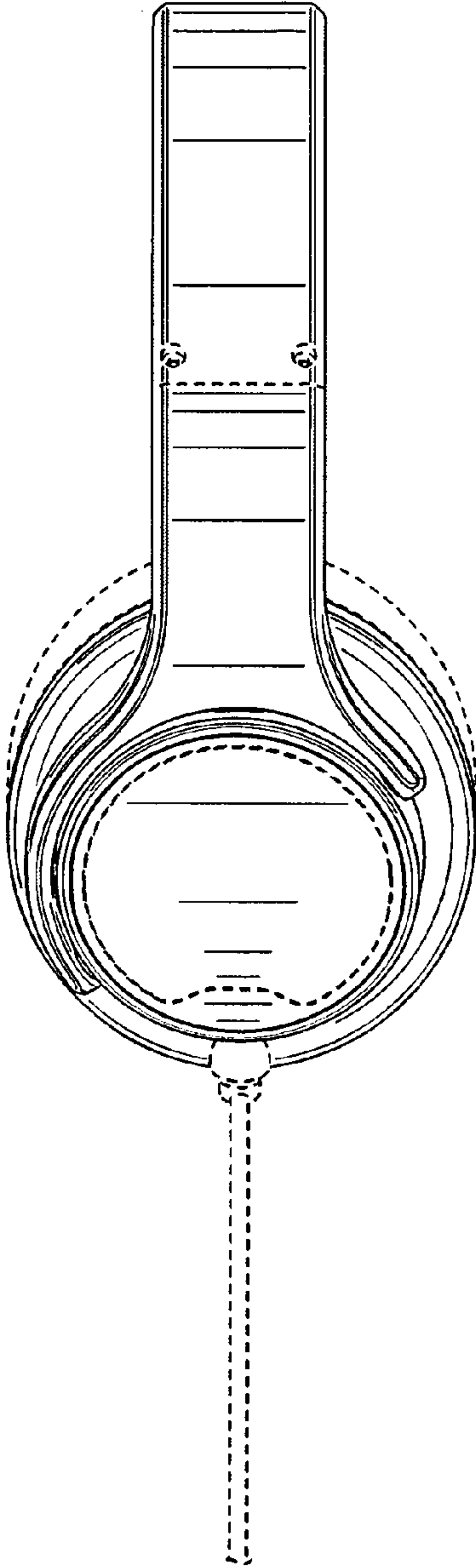


FIG. 4

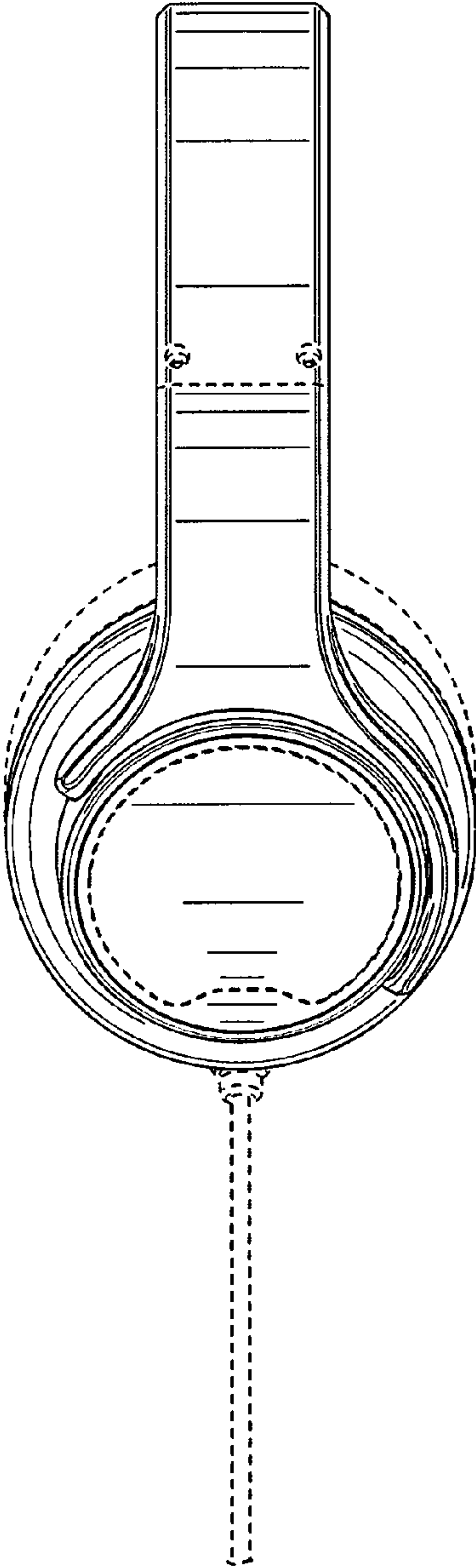


FIG. 5

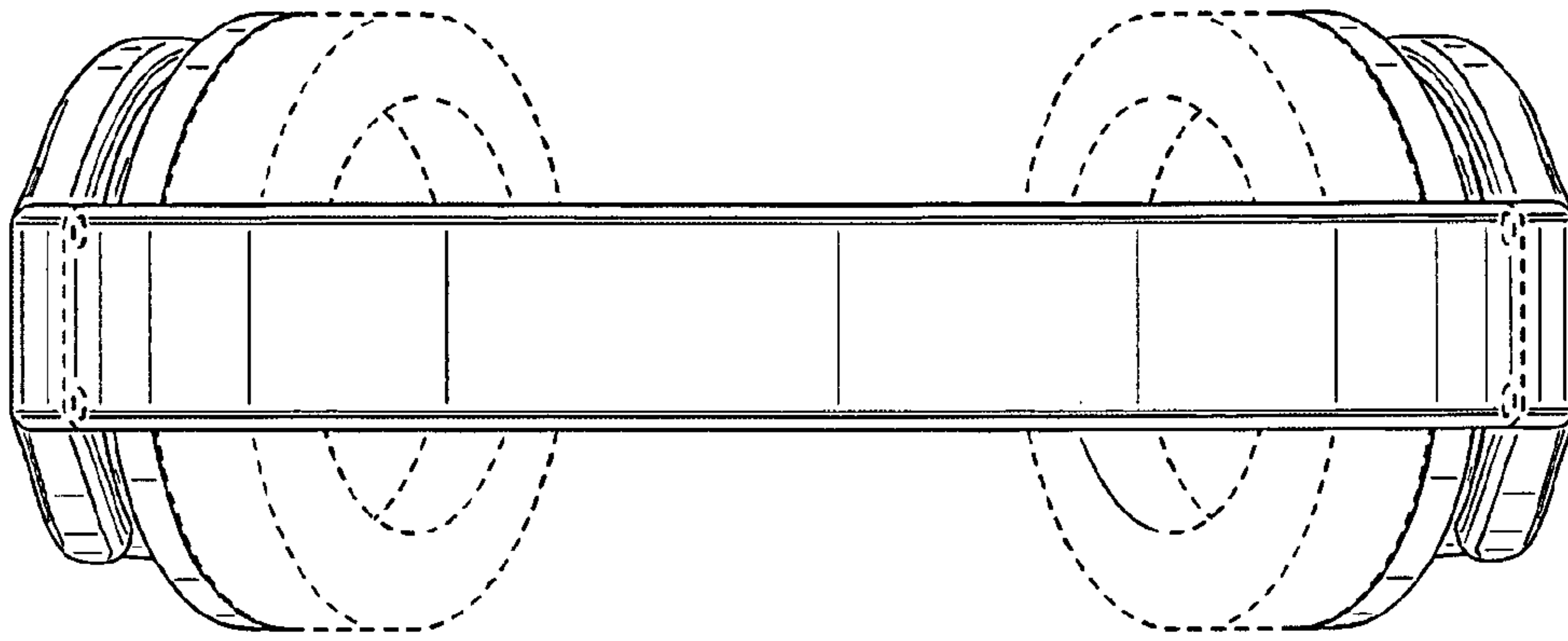


FIG. 6

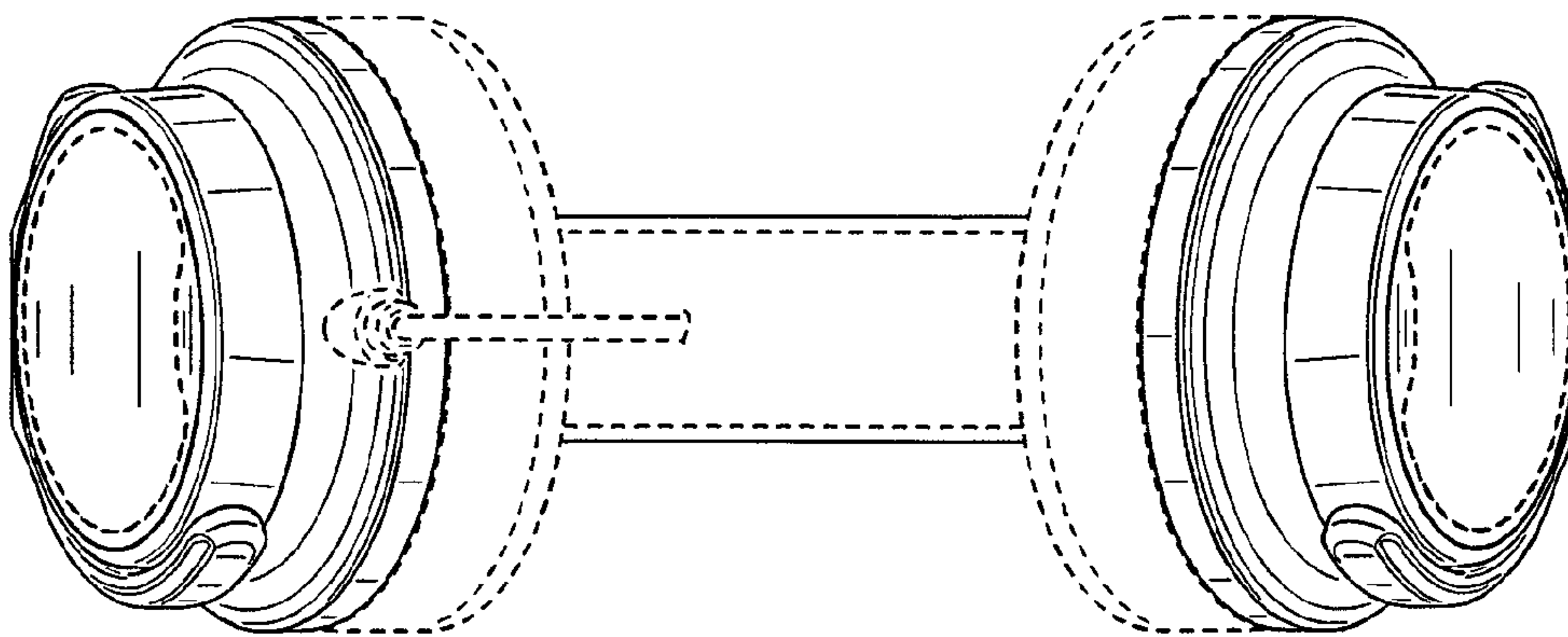


FIG. 7

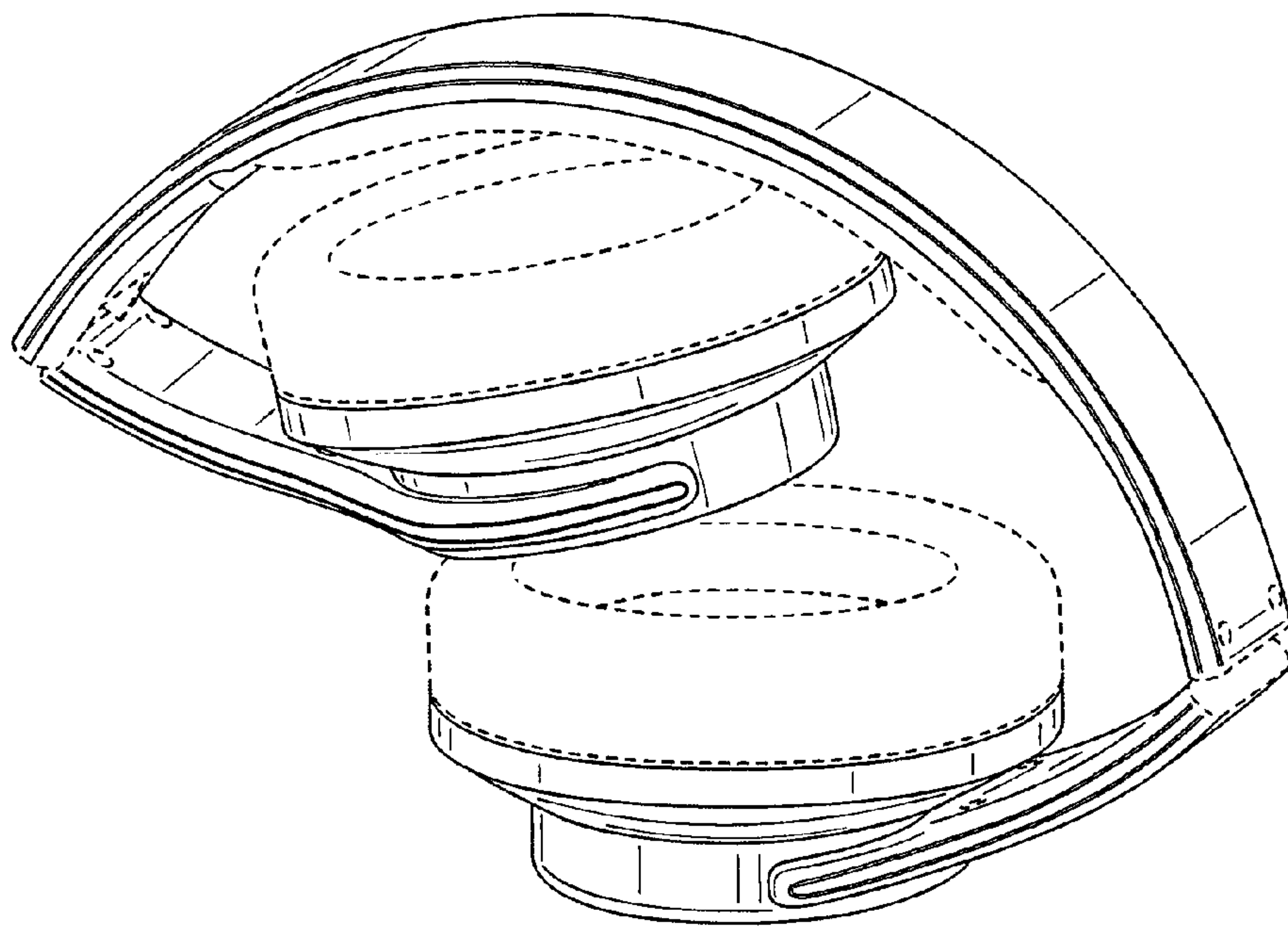


FIG. 8

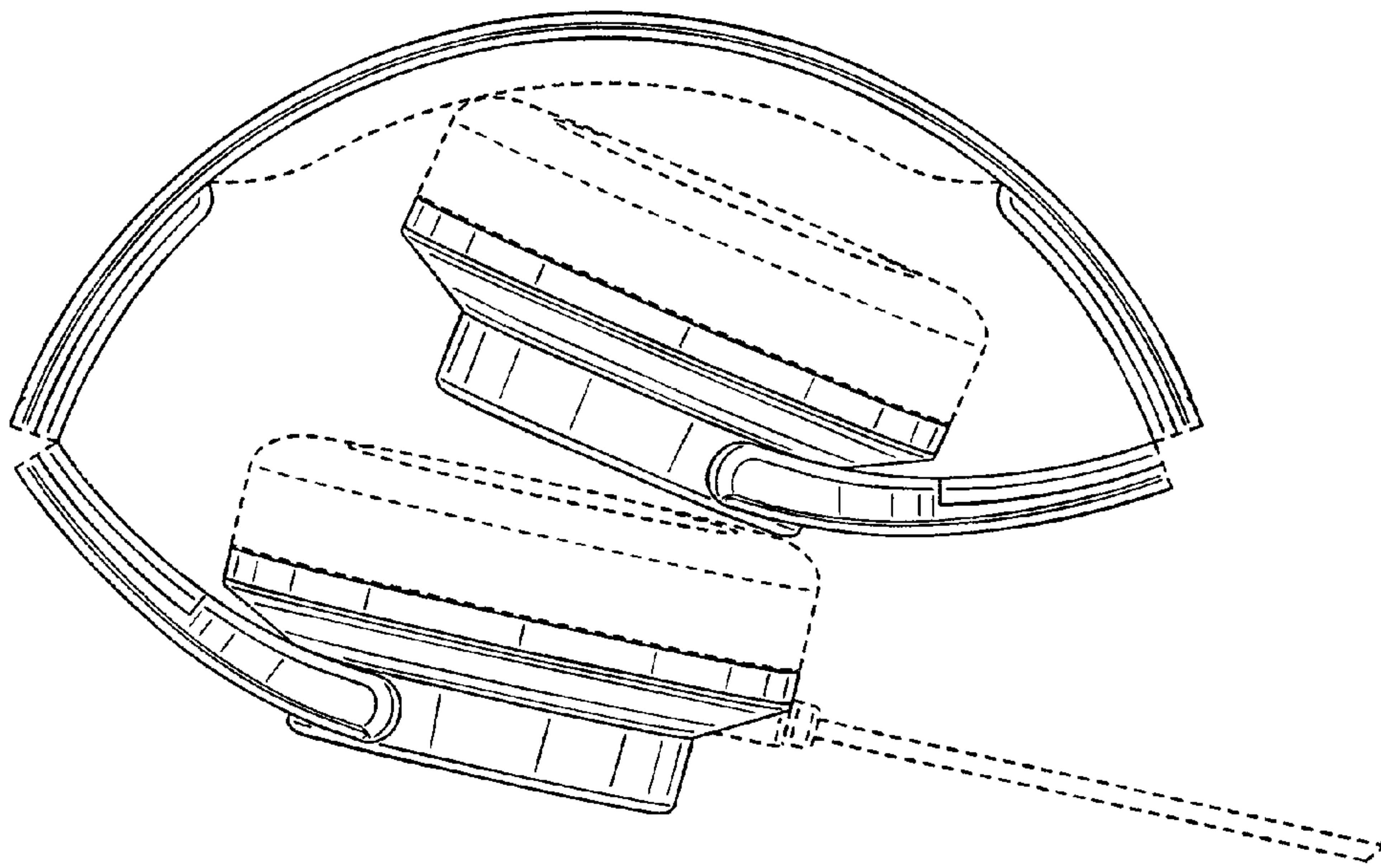


FIG. 9

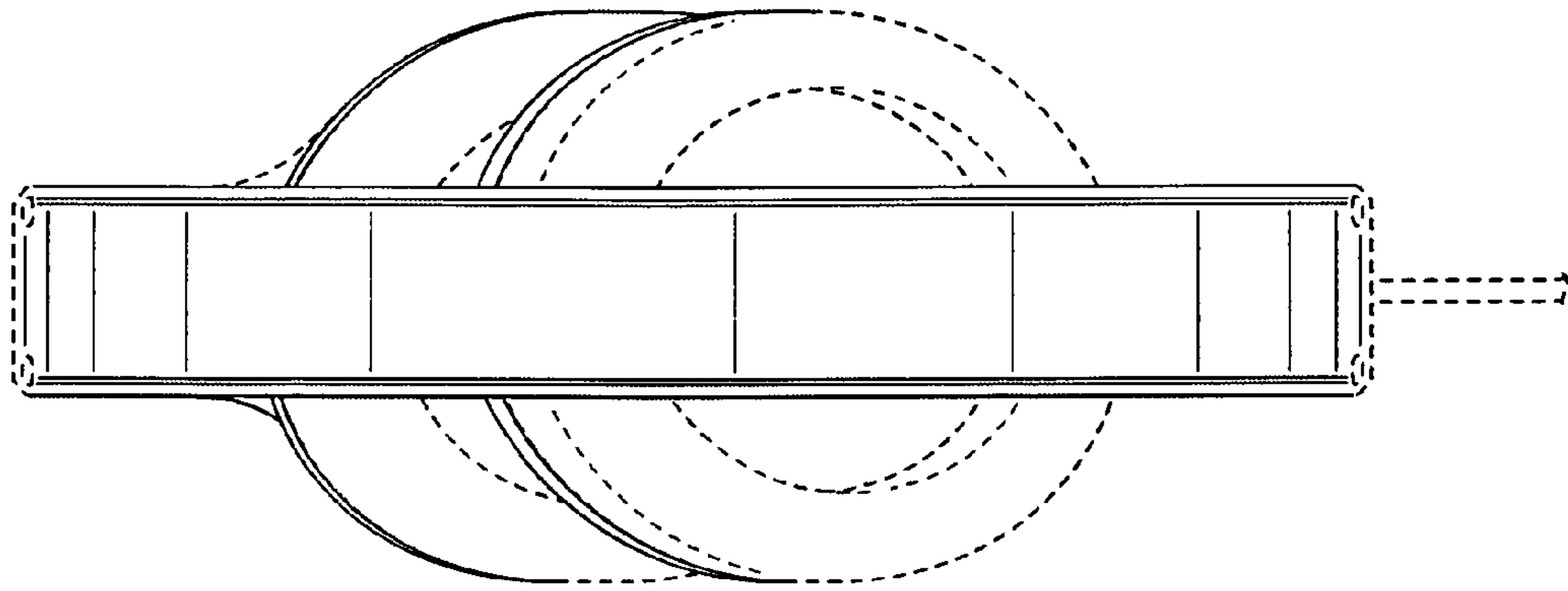


FIG. 10

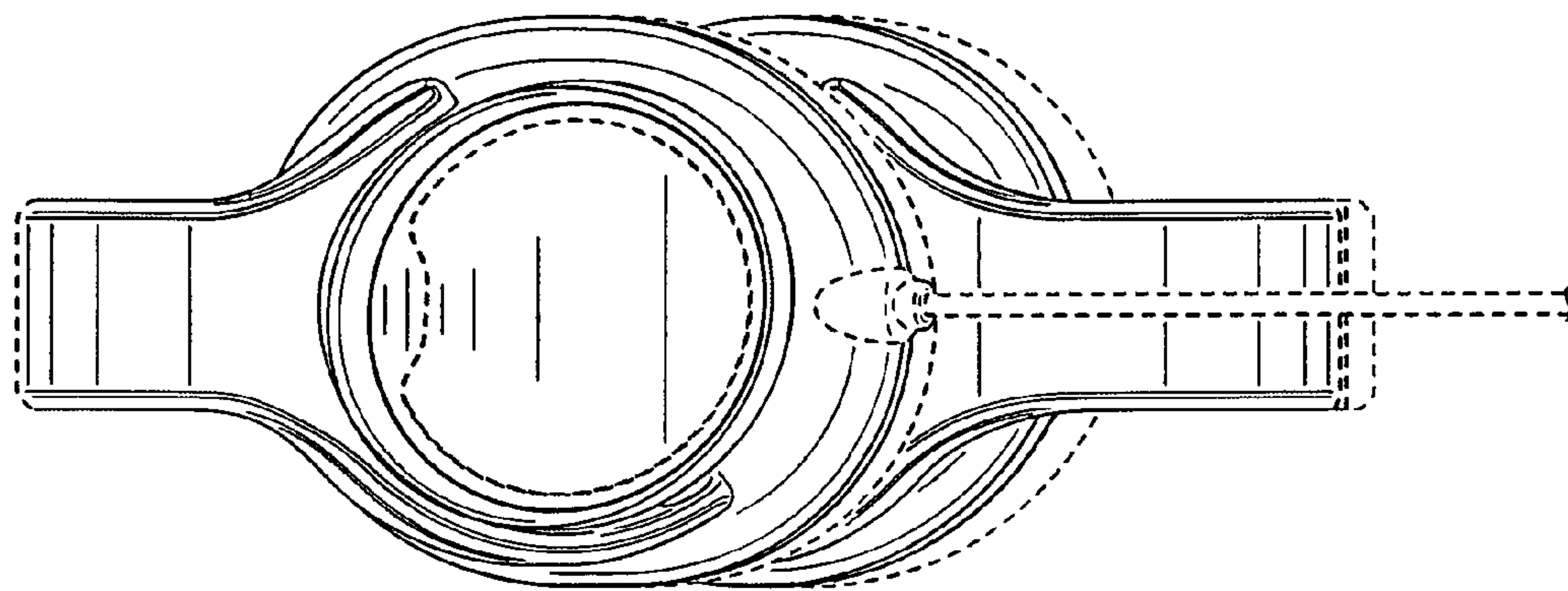


FIG. 11