



US00D706235S

(12) **United States Design Patent**
Kim

(10) **Patent No.:** **US D706,235 S**

(45) **Date of Patent:** **** *Jun. 3, 2014**

(54) **MOBILE PHONE**

(75) Inventor: **Chang-Hwan Kim**, Gimpo-si (KR)

(73) Assignee: **Samsung Electronics Co., Ltd.**,
Suwon-Si (KR)

(*) Notice: This patent is subject to a terminal disclaimer.

(**) Term: **14 Years**

(21) Appl. No.: **29/431,744**

(22) Filed: **Sep. 11, 2012**

(30) **Foreign Application Priority Data**

May 10, 2012 (KR) 30-2012-0022855

(51) **LOC (10) Cl.** **14-03**

(52) **U.S. Cl.**
USPC **D14/138 G**

(58) **Field of Classification Search**
USPC D14/138 R, 138 AD, 138 AC, 138 C,
D14/138 G, 137, 147, 218, 341-347,
D14/247-248; 455/566, 575.1, 575.3, 575.4
See application file for complete search history.

(56) **References Cited**

U.S. PATENT DOCUMENTS

| | | | | | | |
|----------|---|---|---------|-----------------|-------|------------|
| D548,713 | S | * | 8/2007 | Lee et al. | | D14/138 AD |
| D556,724 | S | * | 12/2007 | Choi et al. | | D14/138 AD |
| D562,300 | S | * | 2/2008 | Marry et al. | | D14/138 AA |
| D601,539 | S | * | 10/2009 | Hong | | D14/138 G |
| D654,048 | S | * | 2/2012 | Ichinose et al. | | D14/138 G |
| D654,899 | S | * | 2/2012 | Jung | | D14/138 G |
| D663,278 | S | * | 7/2012 | Kim et al. | | D14/138 G |
| D663,708 | S | * | 7/2012 | Kim et al. | | D14/138 AD |
| D676,401 | S | * | 2/2013 | Choi | | D14/138 G |

| | | | | | | |
|--------------|----|---|--------|---------|-------|-----------|
| D681,588 | S | * | 5/2013 | Jeong | | D14/138 G |
| D681,589 | S | * | 5/2013 | Han | | D14/138 G |
| D686,178 | S | * | 7/2013 | Lee | | D14/138 G |
| 2009/0061963 | A1 | * | 3/2009 | Miyaoka | | 455/575.4 |

OTHER PUBLICATIONS

Huawei U8800, announced Feb. 2010, [online], [retrieved on Feb. 17, 2010]. Retrieved from Internet ,<URL: <http://www.gsmarena.com>>.*

Pantech Burst, announced Jan. 2012, [online], [retrieved on Feb. 3, 2012]. Retrieved from Internet ,<URL: <http://www.gsmarena.com>>.*

Samsung Exhilarate, announced Jan. 2012, [online], [retrieved on Feb. 3, 2012]. Retrieved from Internet ,<URL: <http://www.gsmarena.com>>.*

* cited by examiner

Primary Examiner — Bridget L Eland

(74) *Attorney, Agent, or Firm* — Staas & Halsey LLP

(57) **CLAIM**

The ornamental design for a mobile phone, as shown and described.

DESCRIPTION

FIG. 1 is a front perspective view of a mobile phone; FIG. 2 is a front view of the mobile phone of FIG. 1; FIG. 3 is a rear view of the mobile phone of FIG. 1; FIG. 4 is a left-side view of the mobile phone of FIG. 1; FIG. 5 is a right-side view of the mobile phone of FIG. 1; FIG. 6 is a top plan view of the mobile phone of FIG. 1; and, FIG. 7 is a bottom plan view of the mobile phone of FIG. 1. The broken lines showing of FIGS. 1-7 are for the purpose of illustrating the present invention and forms no part of the claimed design.

1 Claim, 7 Drawing Sheets

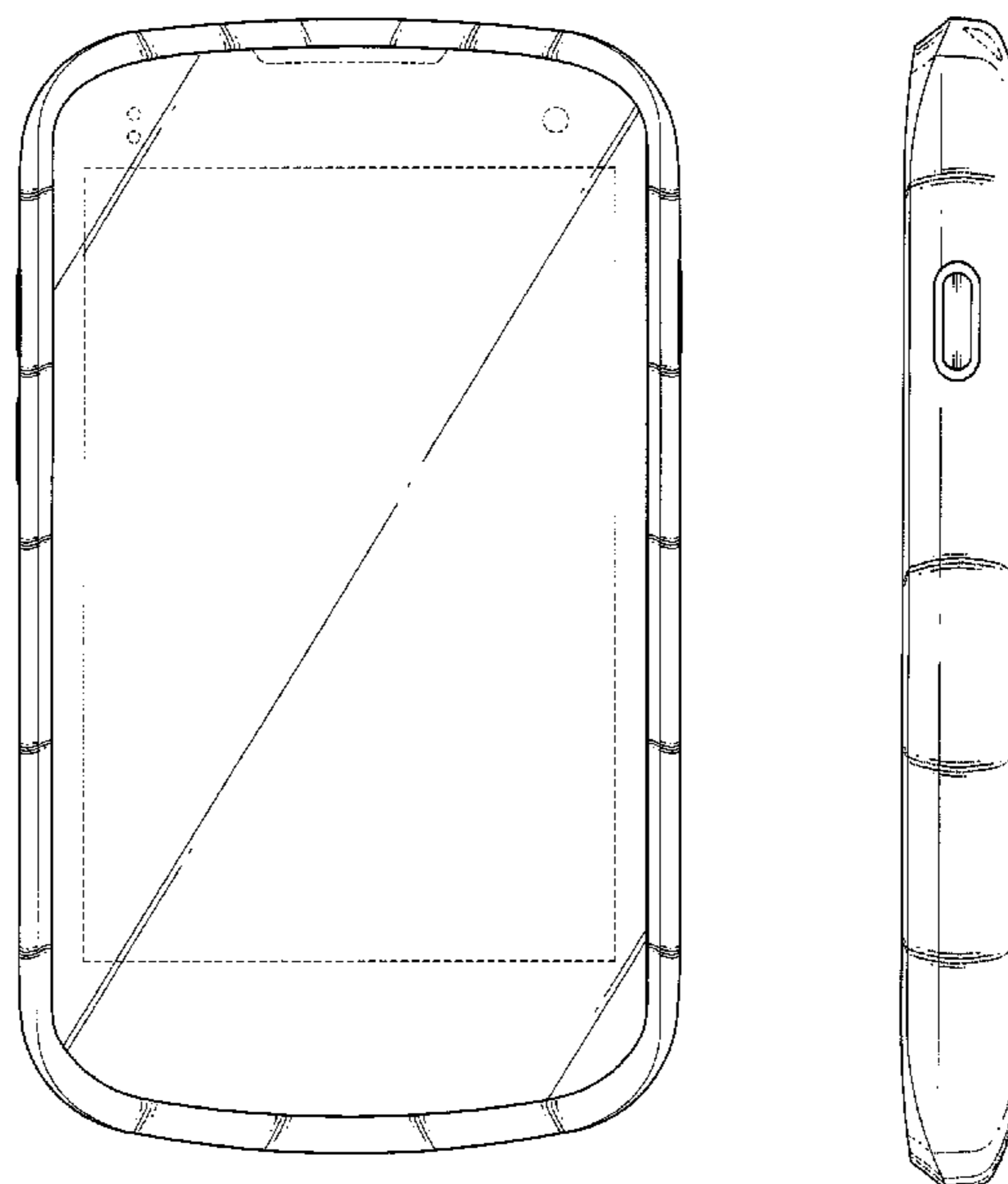


FIG. 1

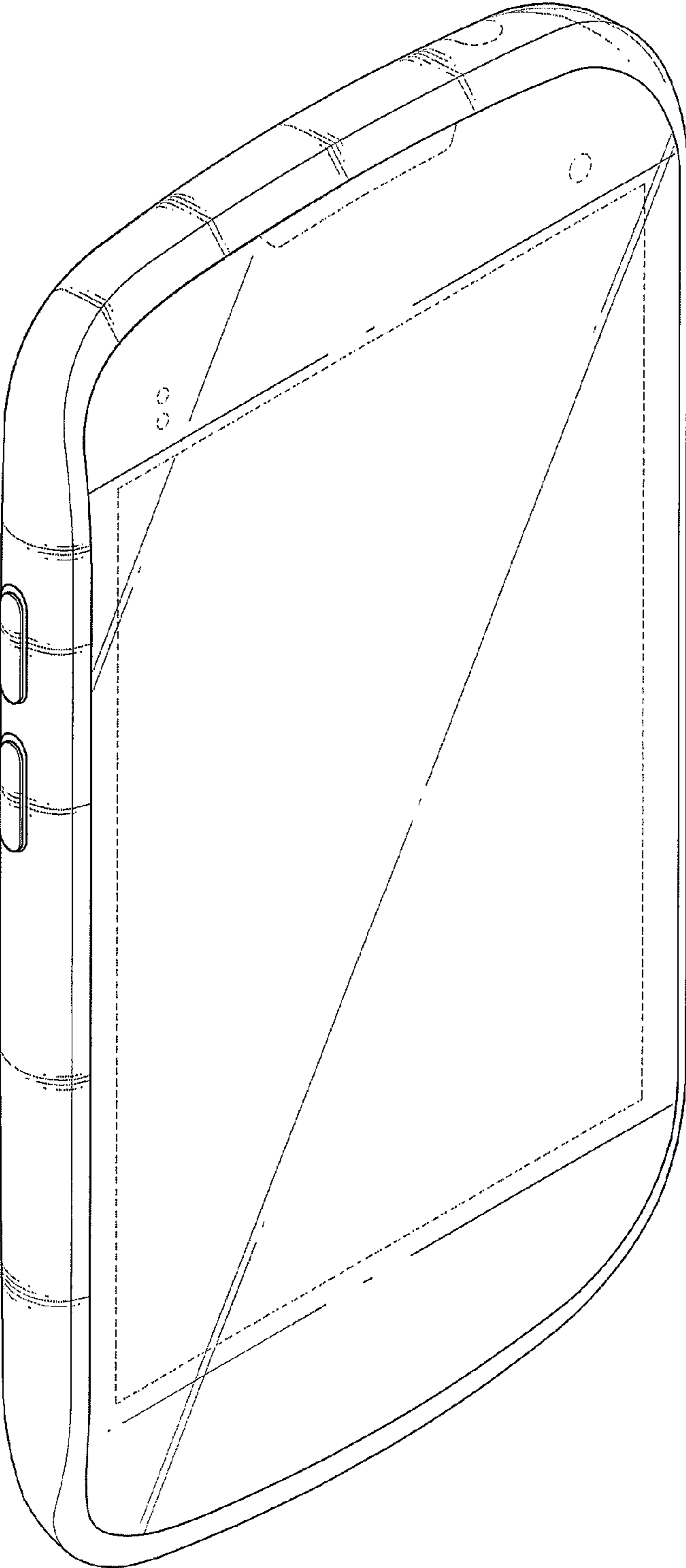


FIG. 2

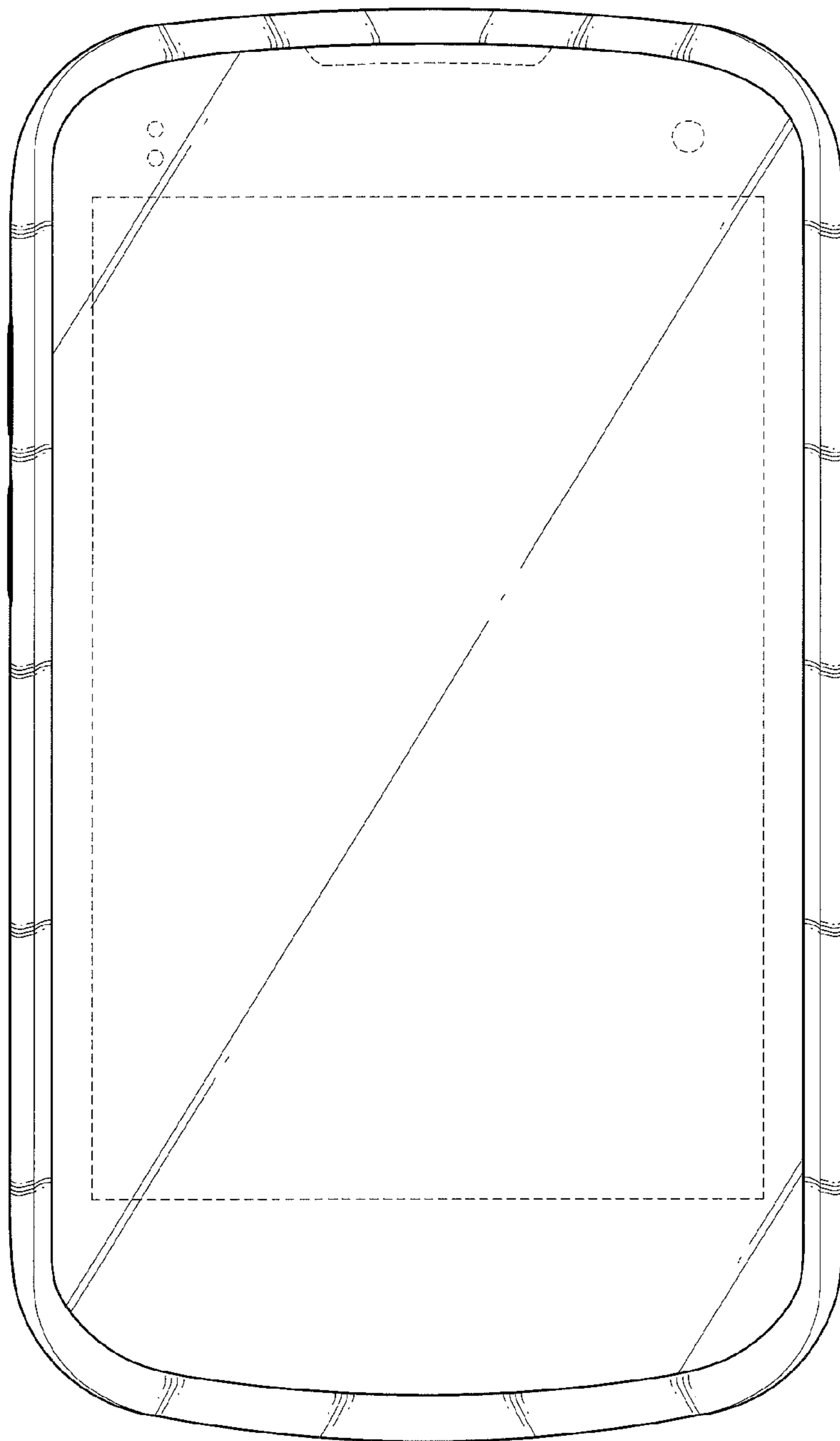


FIG. 3

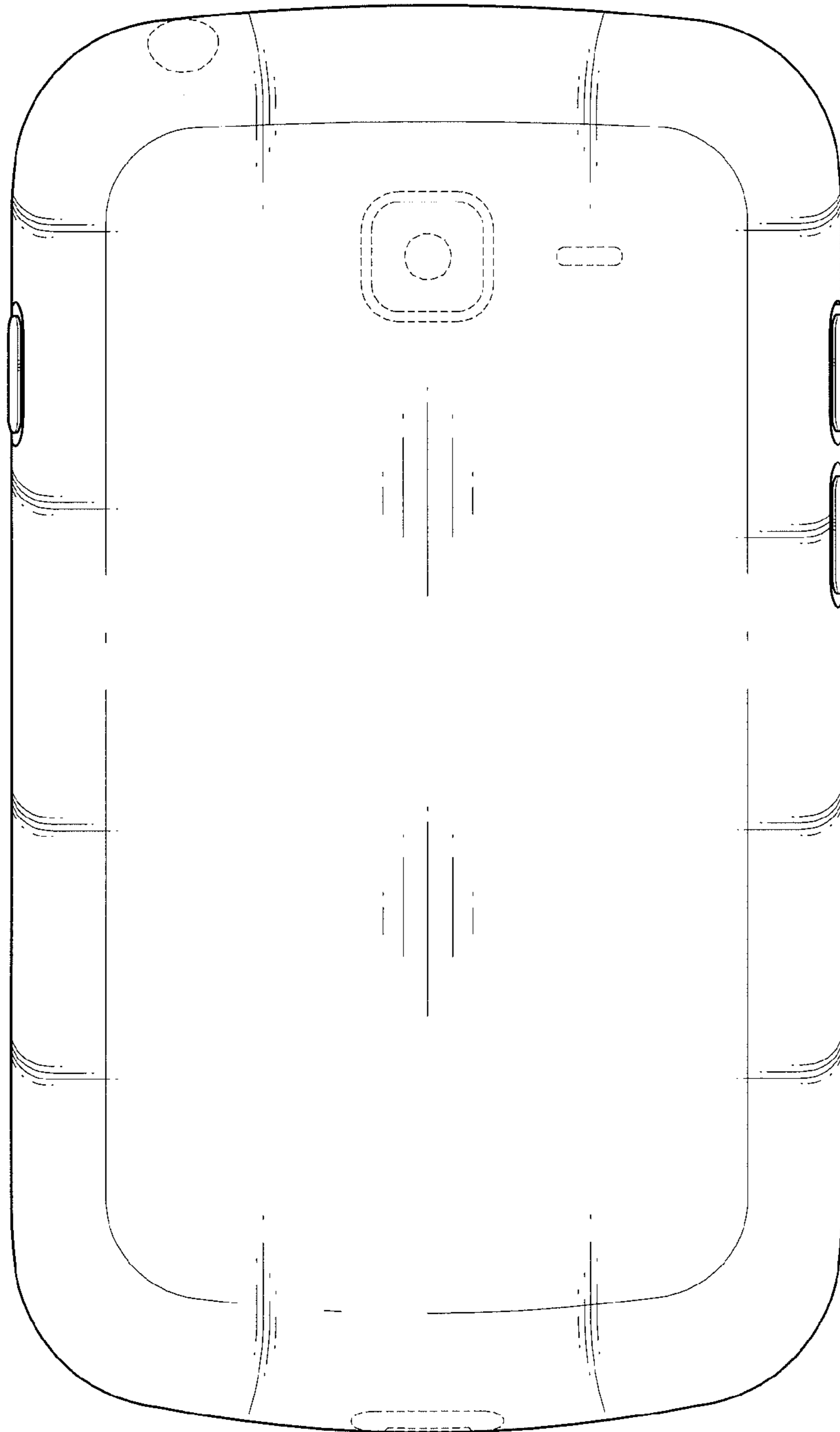


FIG. 4

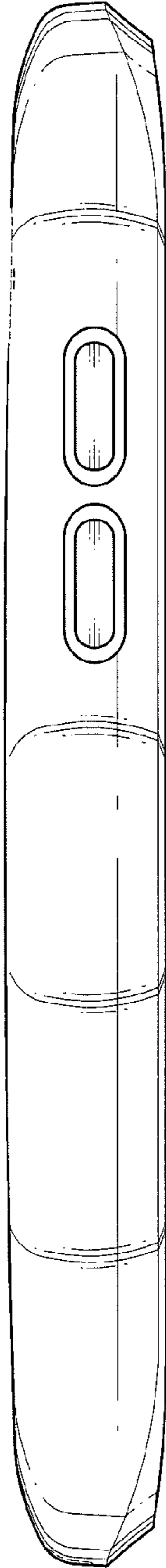


FIG. 5

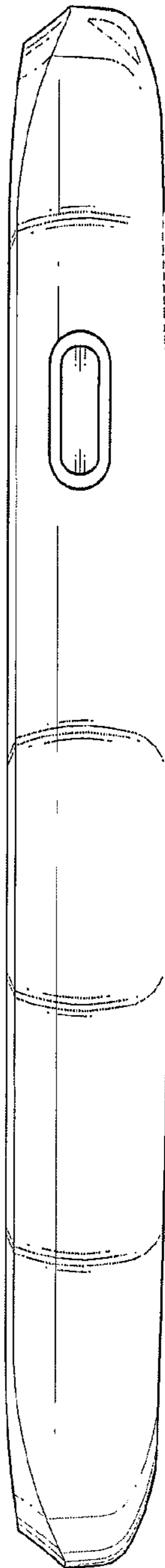


FIG. 6

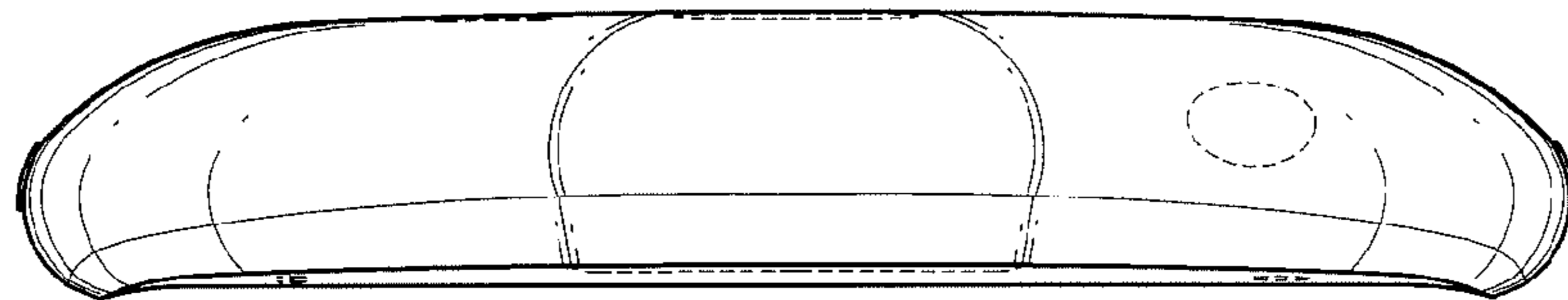


FIG. 7

