

US00D706229S

(12) **United States Design Patent**
Kah, Jr. et al.

(10) **Patent No.:** **US D706,229 S**
(45) **Date of Patent:** **** Jun. 3, 2014**

(54) **CONTROL MODULE**

(75) Inventors: **Carl L. C. Kah, Jr.**, North Palm Beach, FL (US); **Carl L. C. Kah, III**, North Palm Beach, FL (US); **Frederick A. Hall**, Riviera Beach, FL (US)

(73) Assignee: **K-Rain Manufacturing Corp.**, Riviera Beach, FL (US)

(**) Term: **14 Years**

(21) Appl. No.: **29/379,964**

(22) Filed: **Nov. 29, 2010**

(51) **LOC (10) Cl.** **13-03**

(52) **U.S. Cl.**
USPC **D13/164**

(58) **Field of Classification Search**
USPC D13/162, 164; D10/46, 49, 96;
137/624.11; 239/69; 361/622, 627,
361/628, 643; 700/284
See application file for complete search history.

(56) **References Cited**

U.S. PATENT DOCUMENTS

6,721,630	B1 *	4/2004	Woytowitz	700/284
D492,264	S *	6/2004	Perez et al.	D13/162
D517,020	S *	3/2006	Cook et al.	D13/162
D546,772	S *	7/2007	Venegas et al.	D13/162
7,257,465	B2 *	8/2007	Perez et al.	700/284
D581,880	S *	12/2008	Neitzel et al.	D13/162
7,792,612	B2 *	9/2010	Kah, Jr.	700/284

2005/0055106	A1 *	3/2005	Beutler et al.	700/11
2005/0273205	A1 *	12/2005	Nickerson et al.	700/284
2006/0030971	A1 *	2/2006	Nelson et al.	700/284
2007/0179674	A1 *	8/2007	Ensworth et al.	700/284
2010/0030476	A1 *	2/2010	Woytowitz et al.	702/3

* cited by examiner

Primary Examiner — Selina Sikder

(74) *Attorney, Agent, or Firm* — Ostrolenk Faber LLP

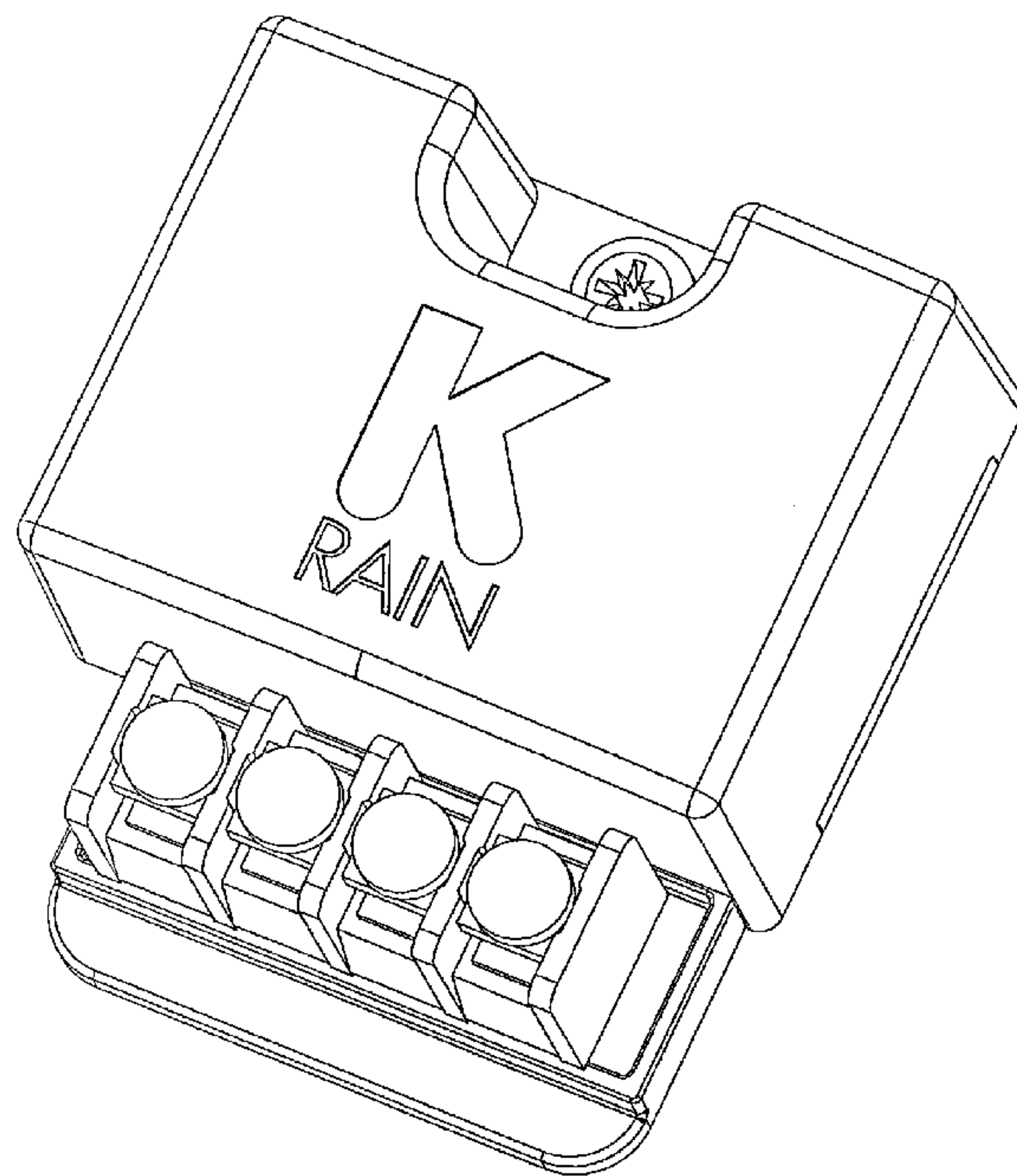
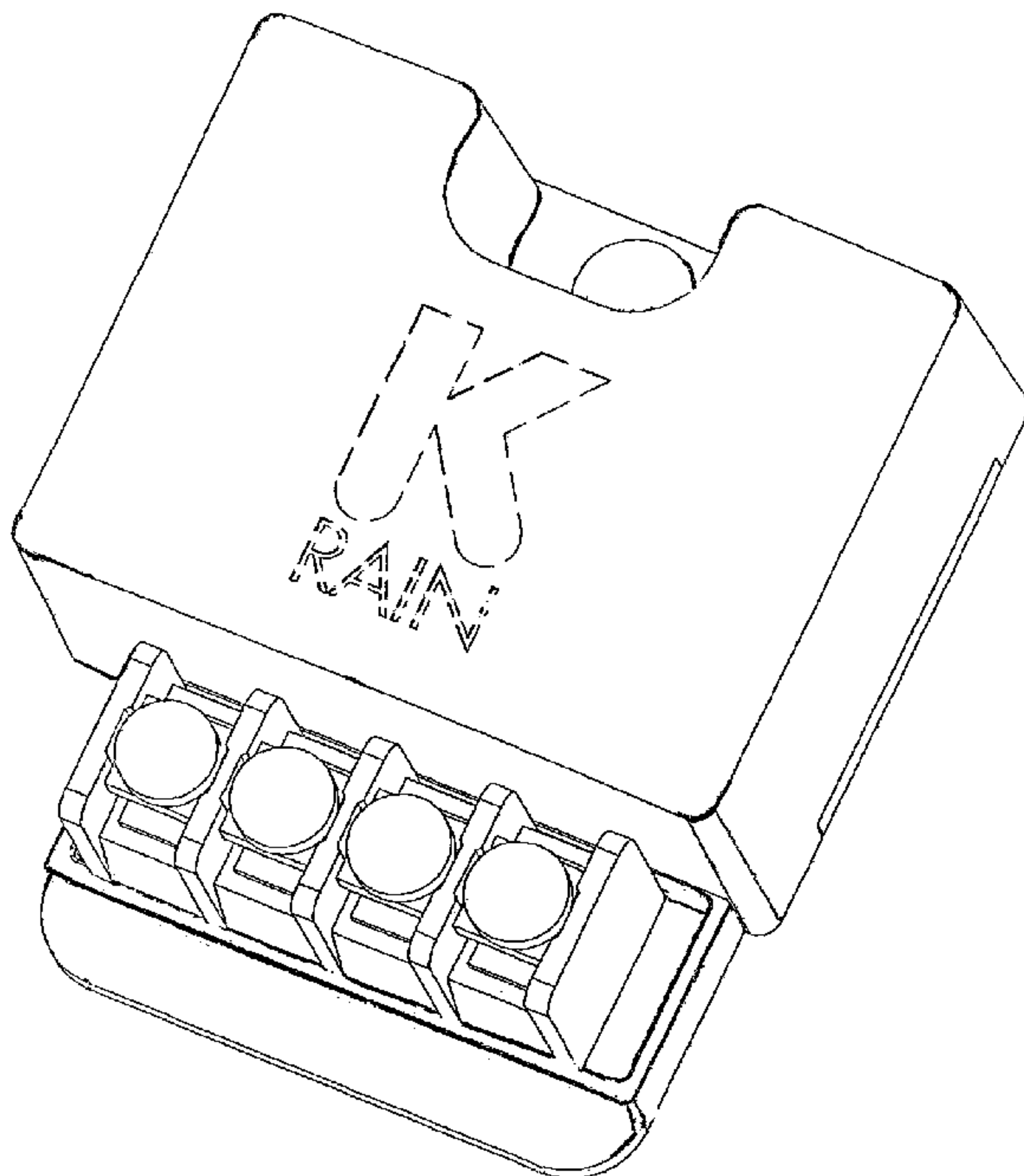
(57) **CLAIM**

The ornamental design for a control module, as shown and described.

DESCRIPTION

FIG. 1 is a top and front perspective view of a control module showing our new design;
 FIG. 2 is a top plan view thereof;
 FIG. 3 is a bottom plan view thereof;
 FIG. 4 is a front view thereof;
 FIG. 5 is a rear view thereof;
 FIG. 6 is a right side view thereof; and
 FIG. 7 is a left side view thereof.
 FIG. 8 is a top and front perspective view of another embodiment of a control module showing our design;
 FIG. 9 is a top plan view thereof;
 FIG. 10 is a bottom plan view thereof;
 FIG. 11 is a front view thereof;
 FIG. 12 is a rear view thereof;
 FIG. 13 is a right side view thereof; and
 FIG. 14 is a left side view thereof.
 The broken lines show environmental matter that forms no part of the claimed design.

1 Claim, 14 Drawing Sheets



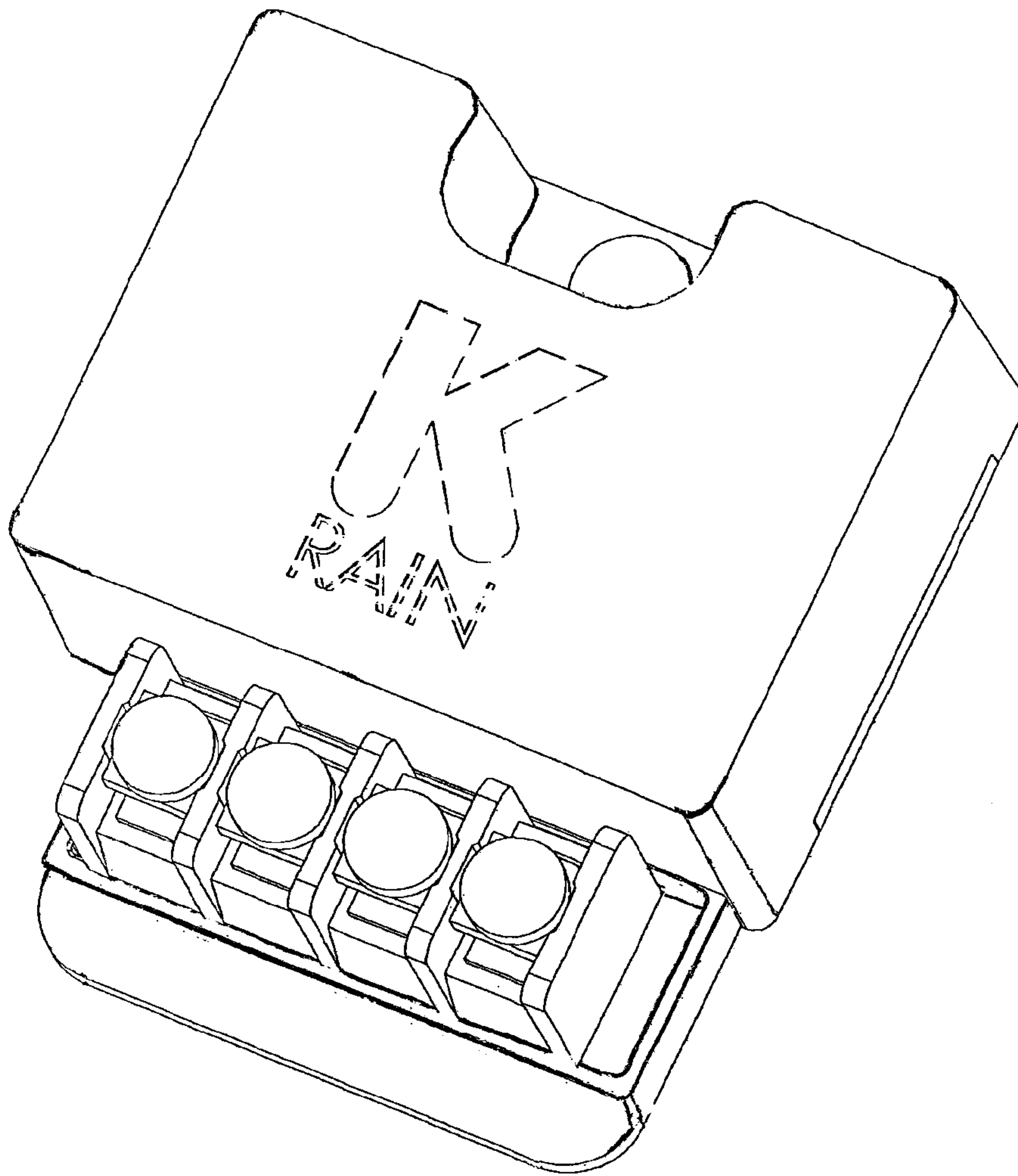


FIG. 1

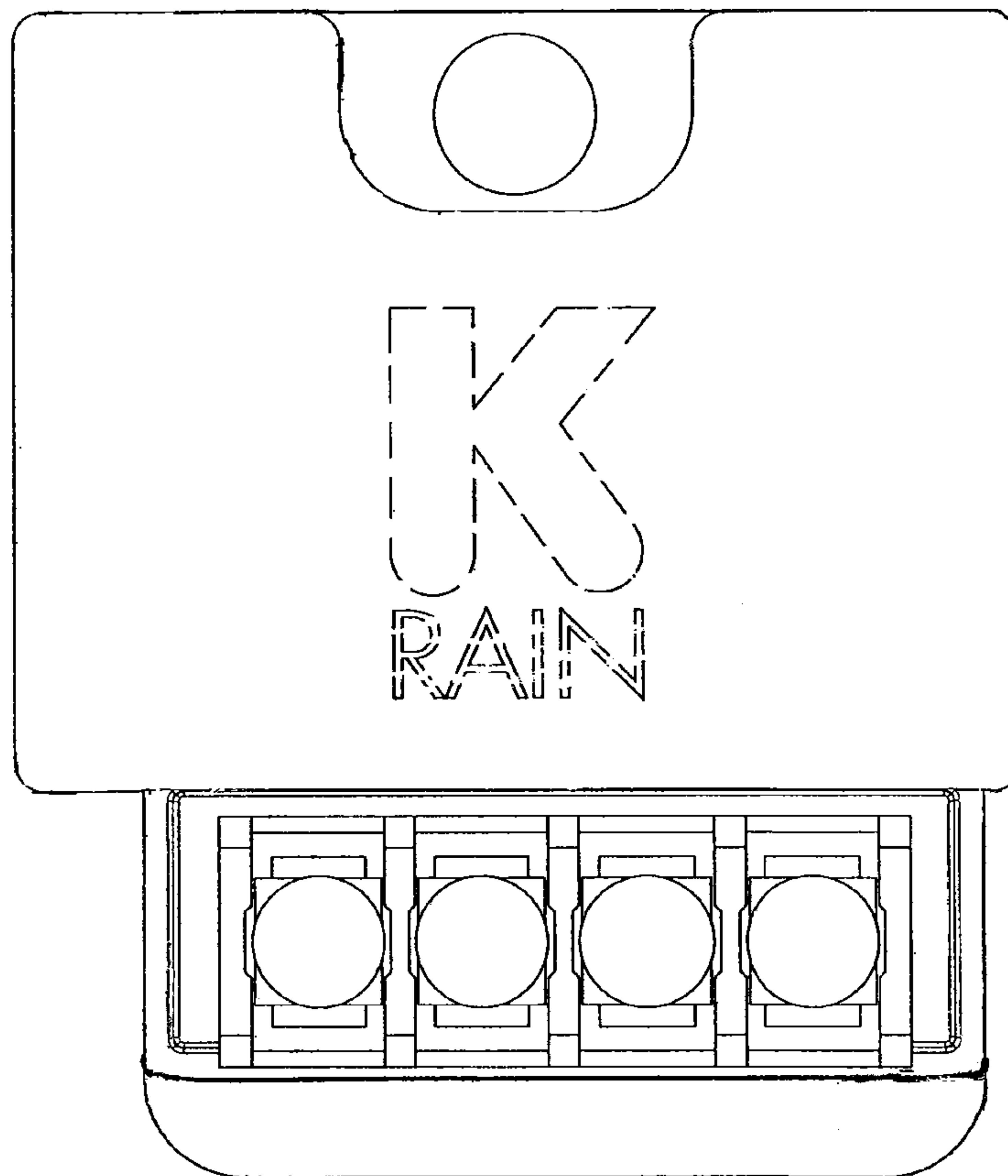


FIG. 2

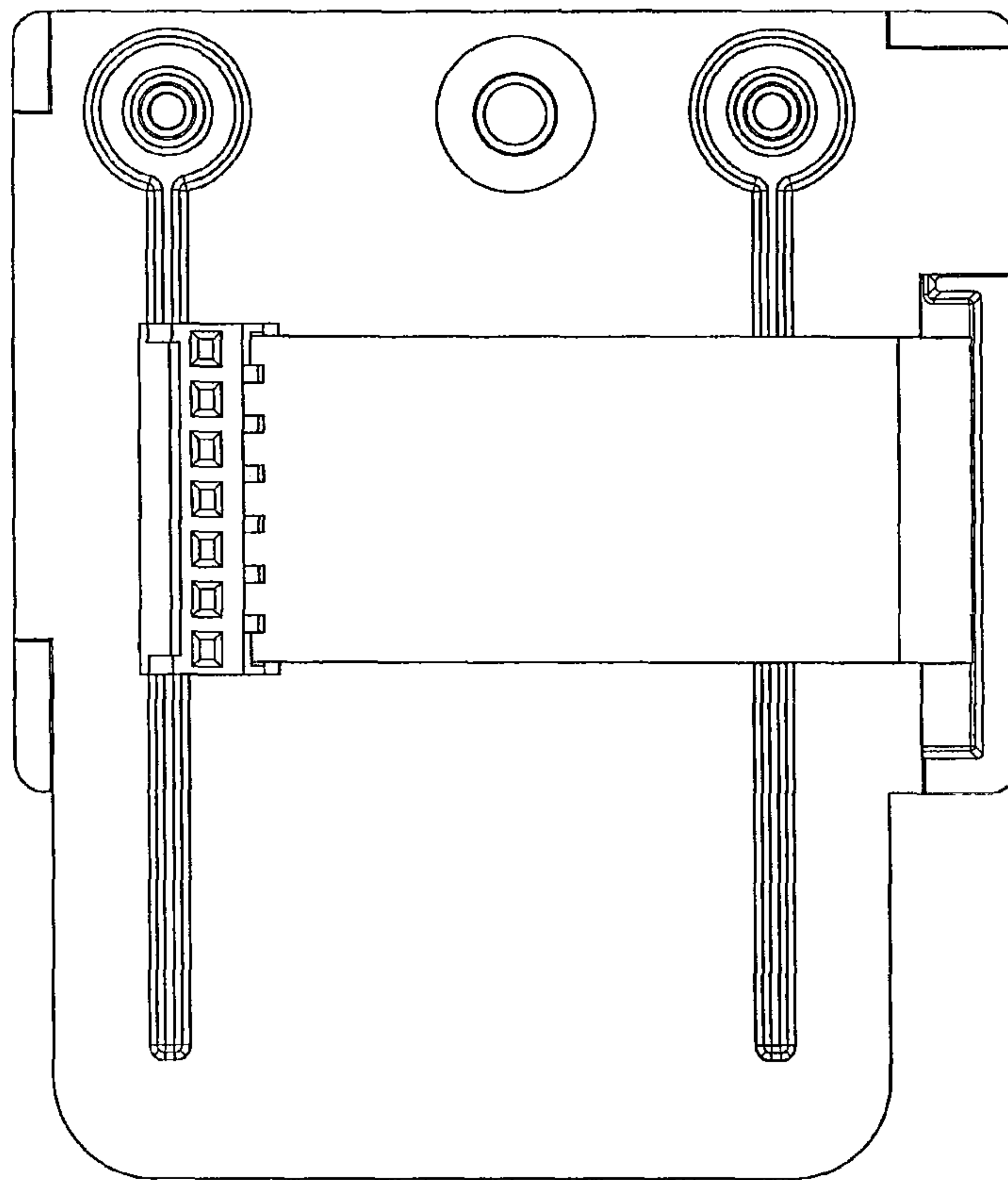


FIG. 3

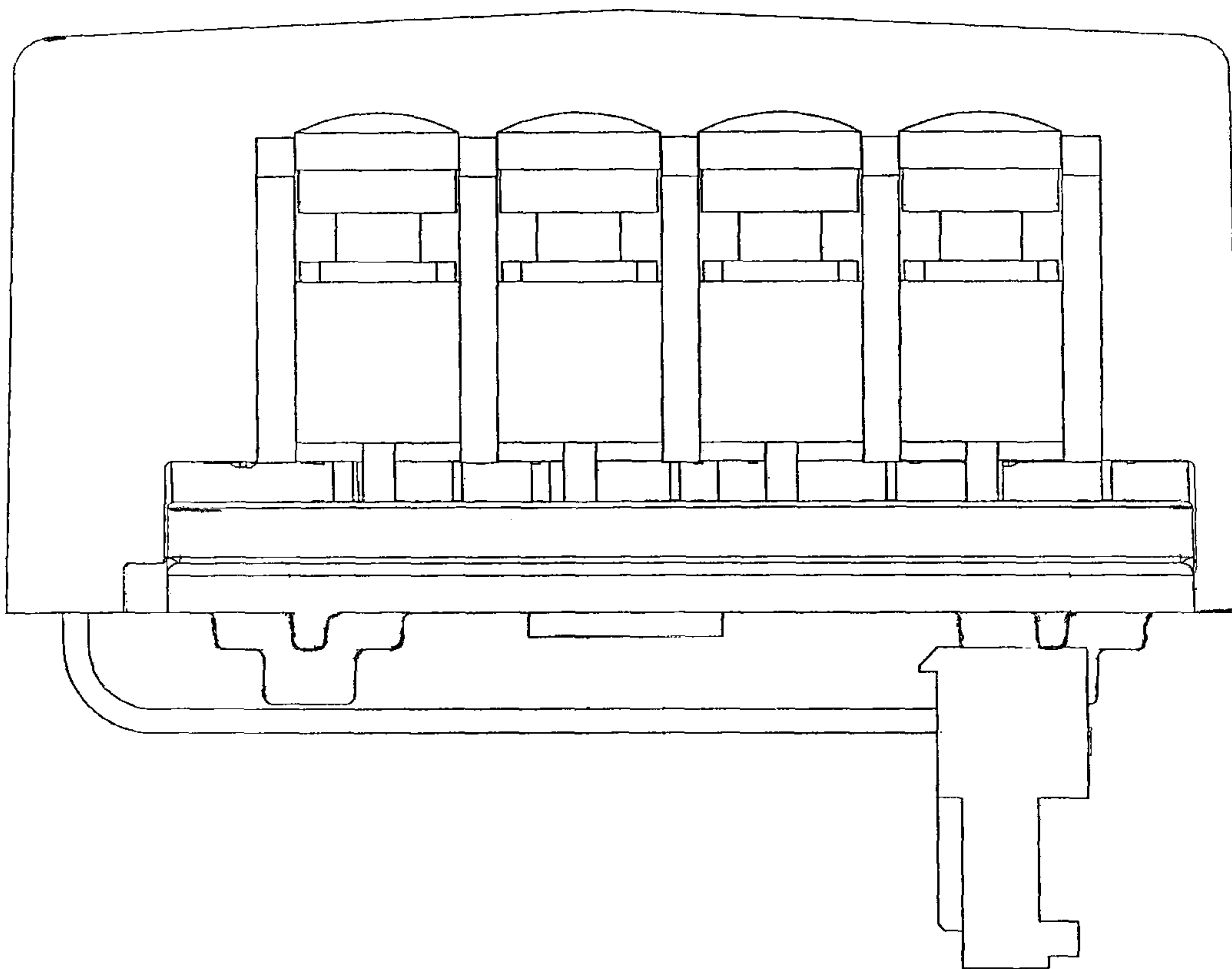


FIG. 4

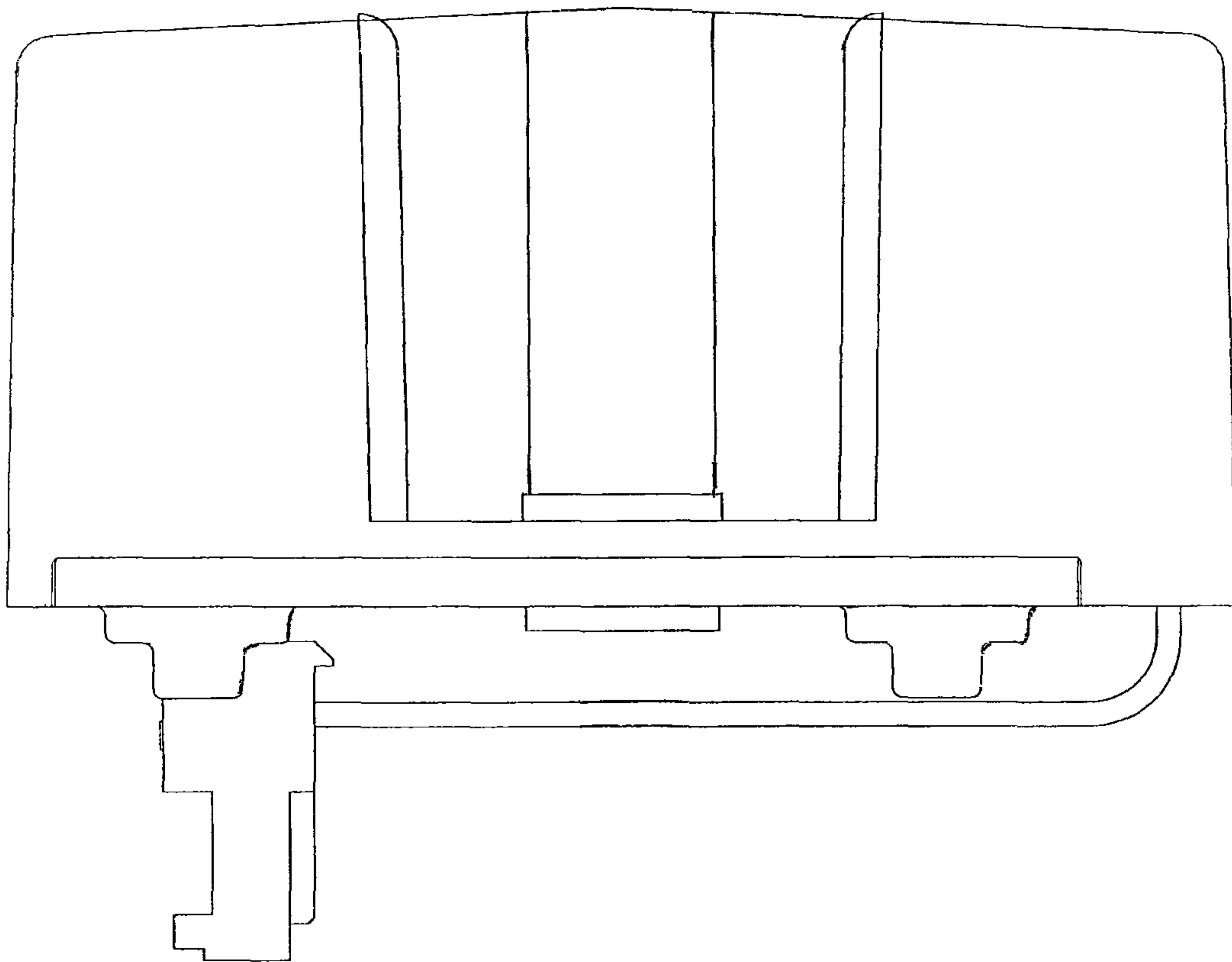


FIG. 5

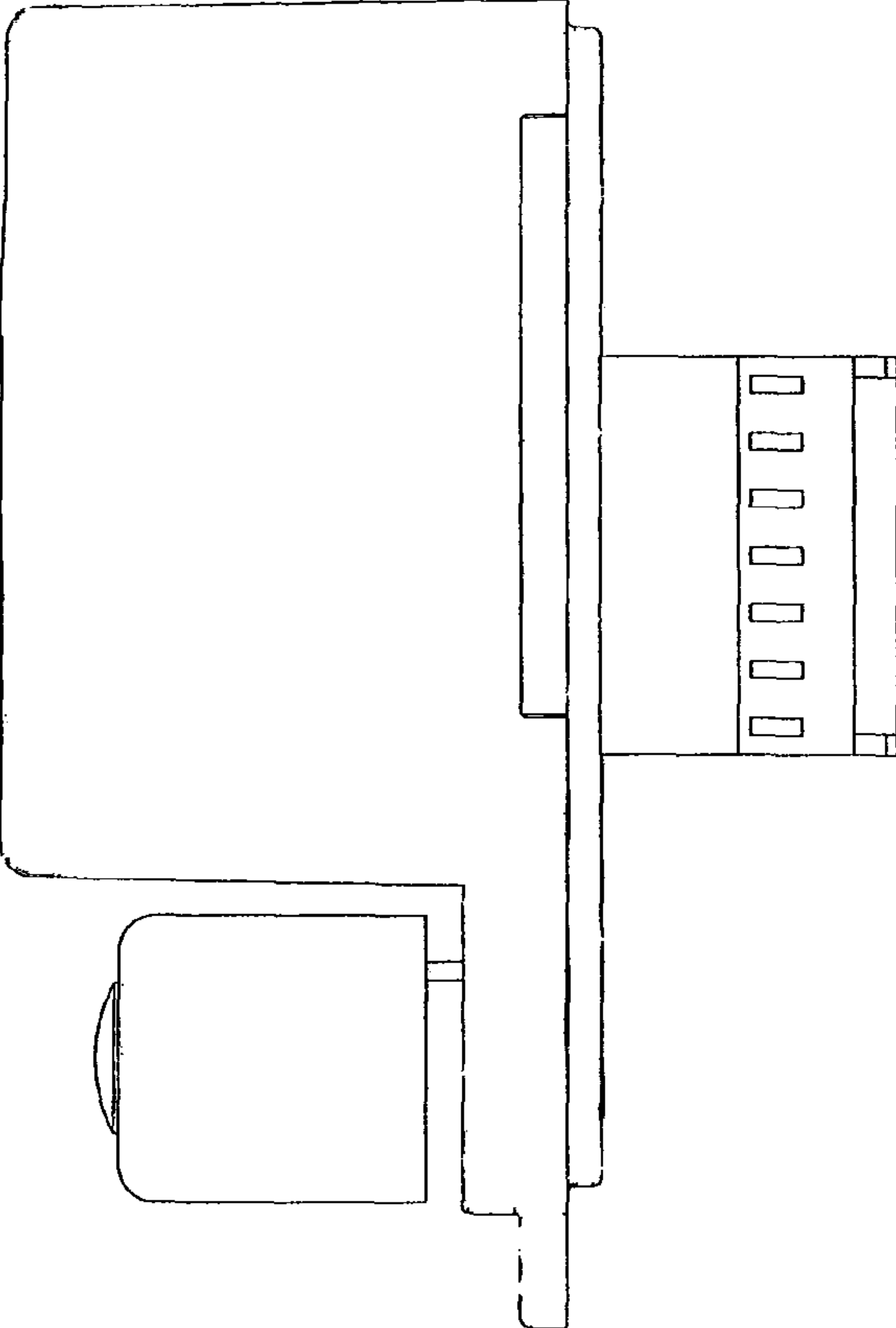


FIG. 6

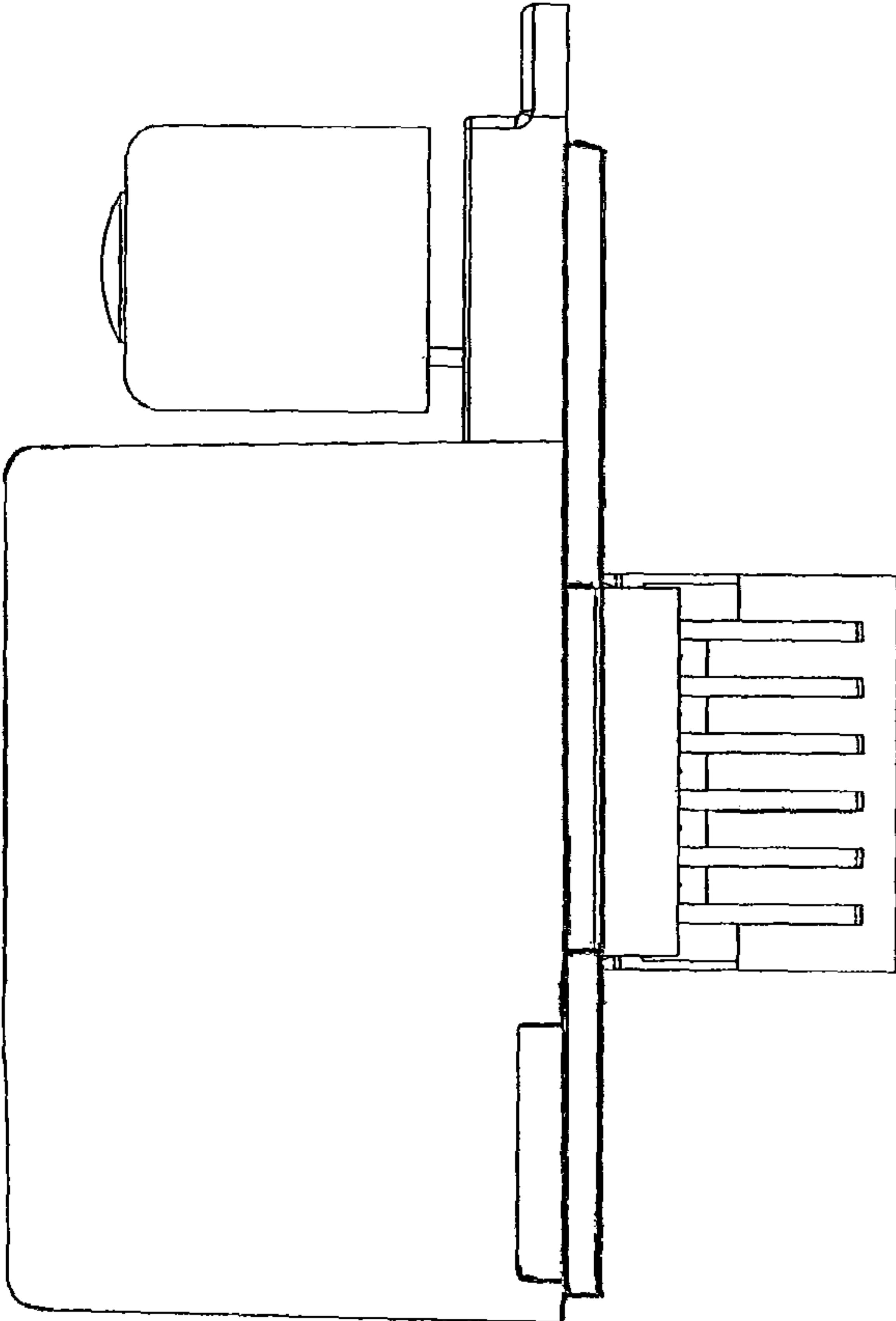


FIG. 7



FIG. 8

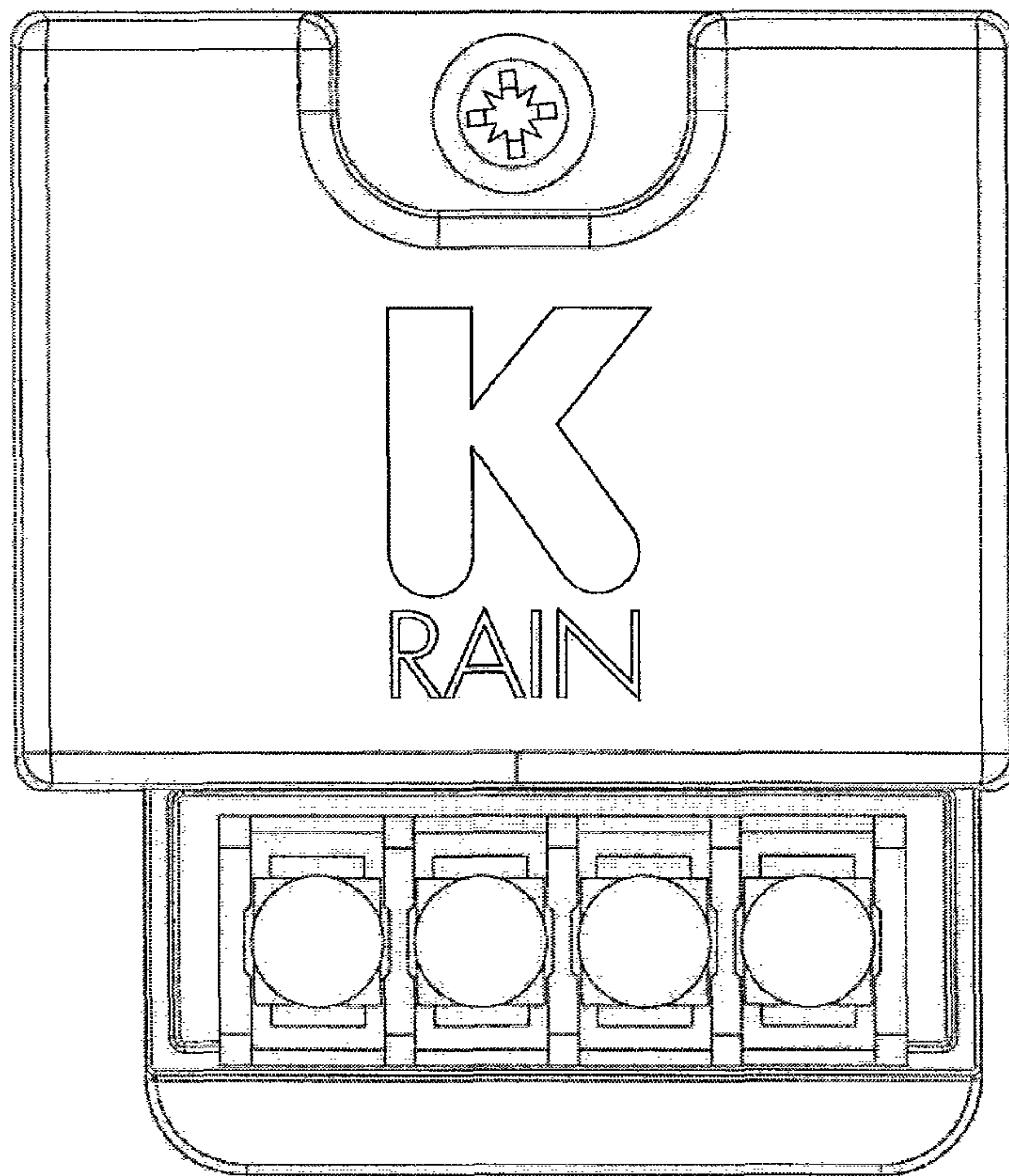


FIG. 9

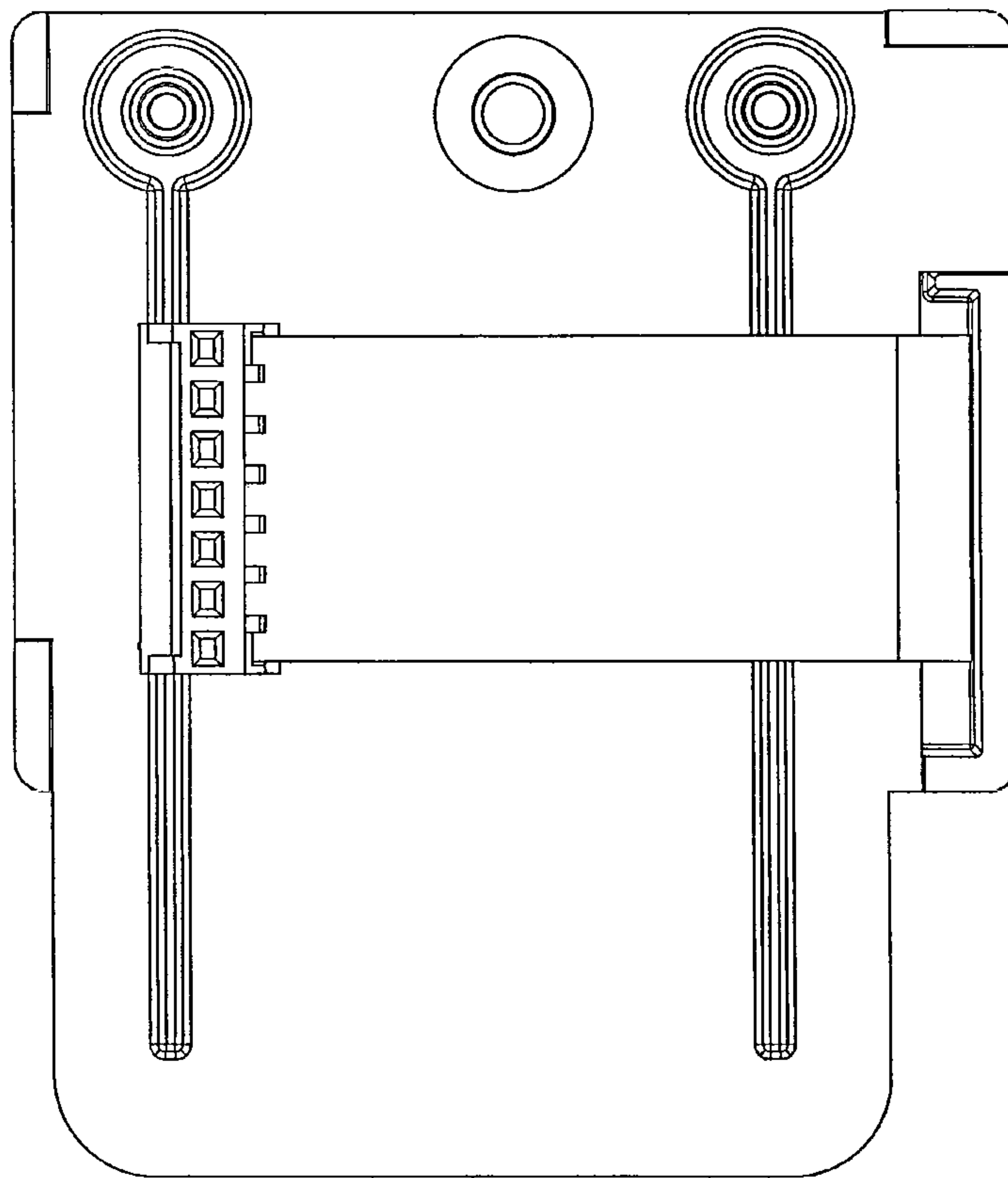


FIG. 10

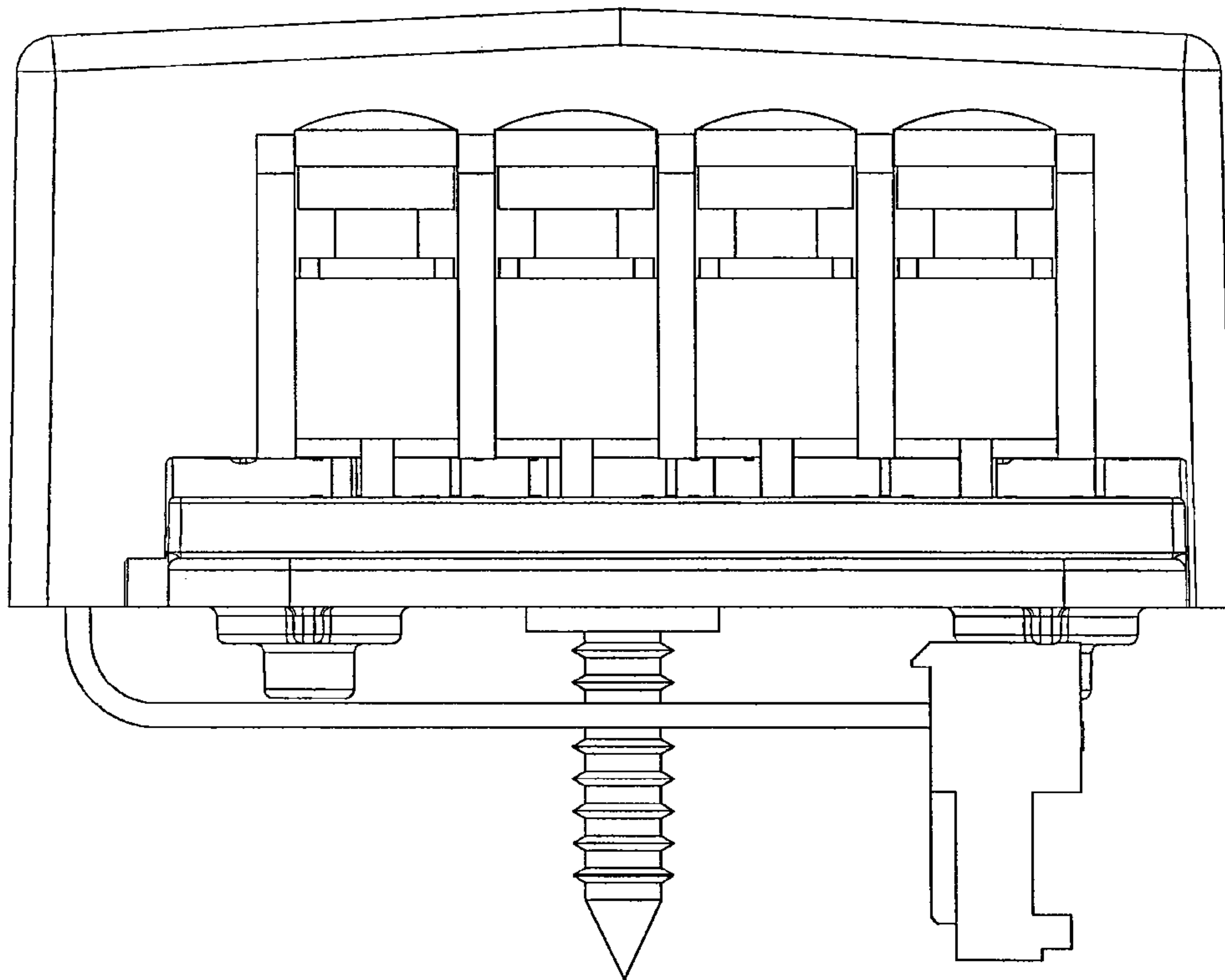


FIG. 11

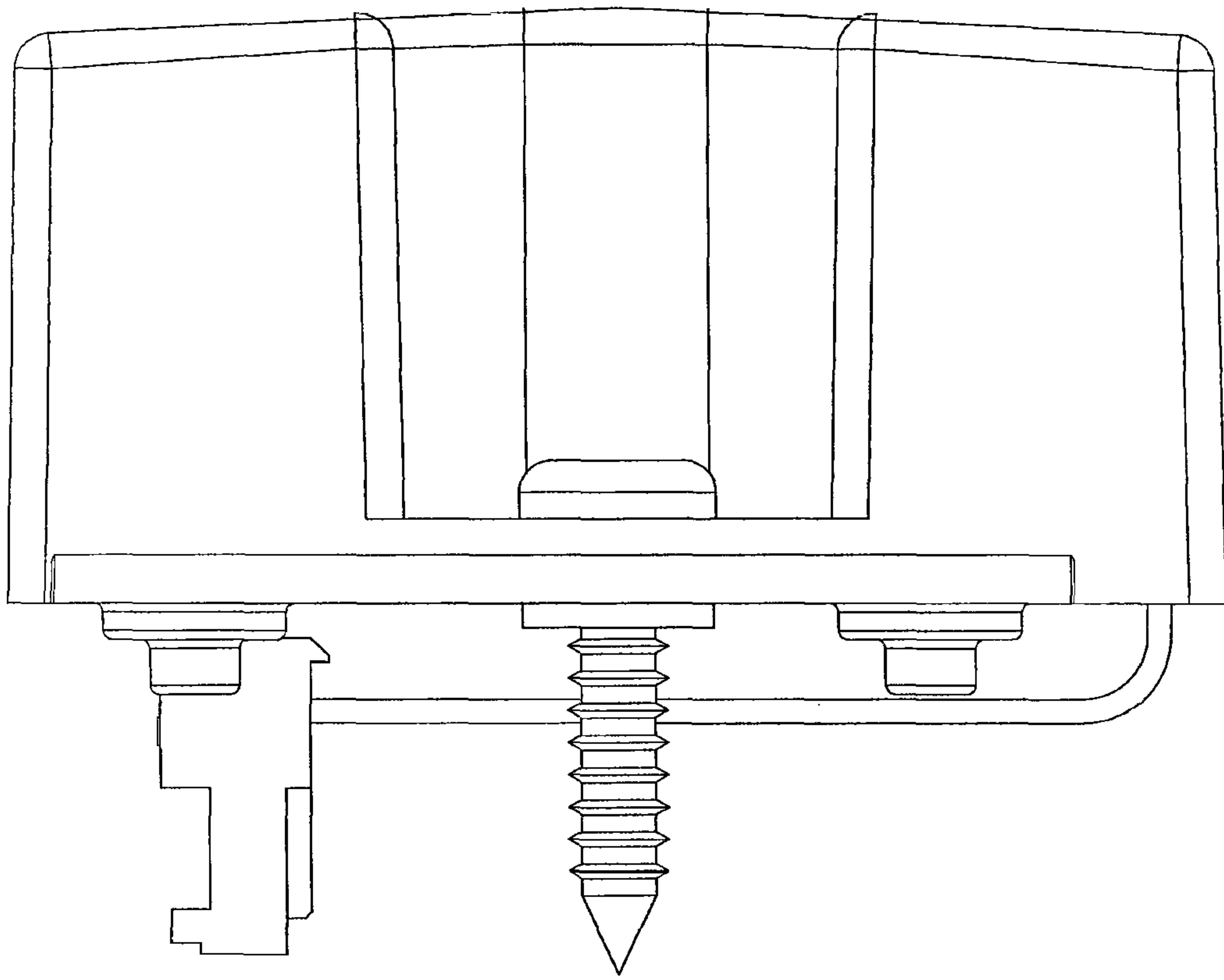


FIG. 12

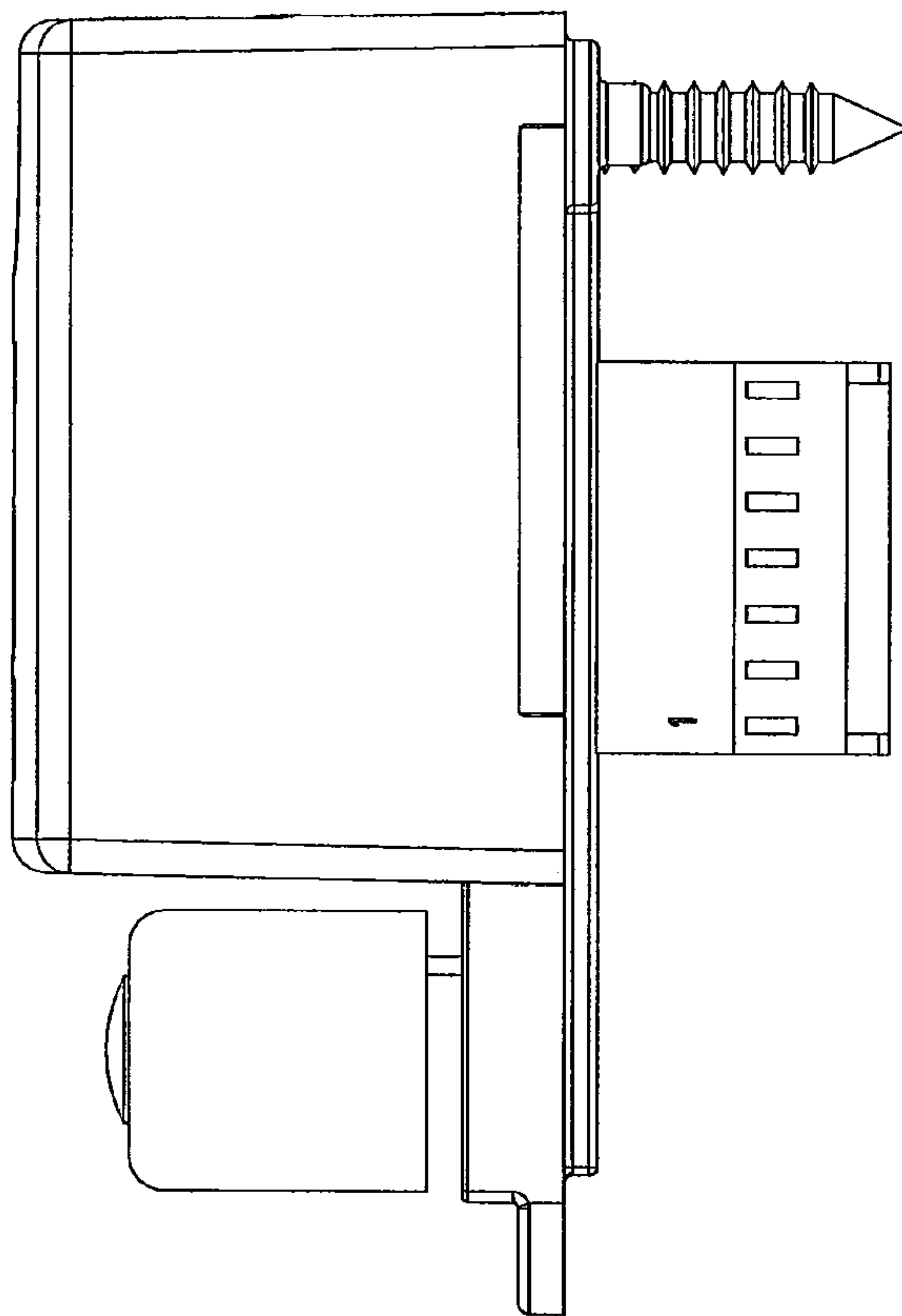


FIG. 13

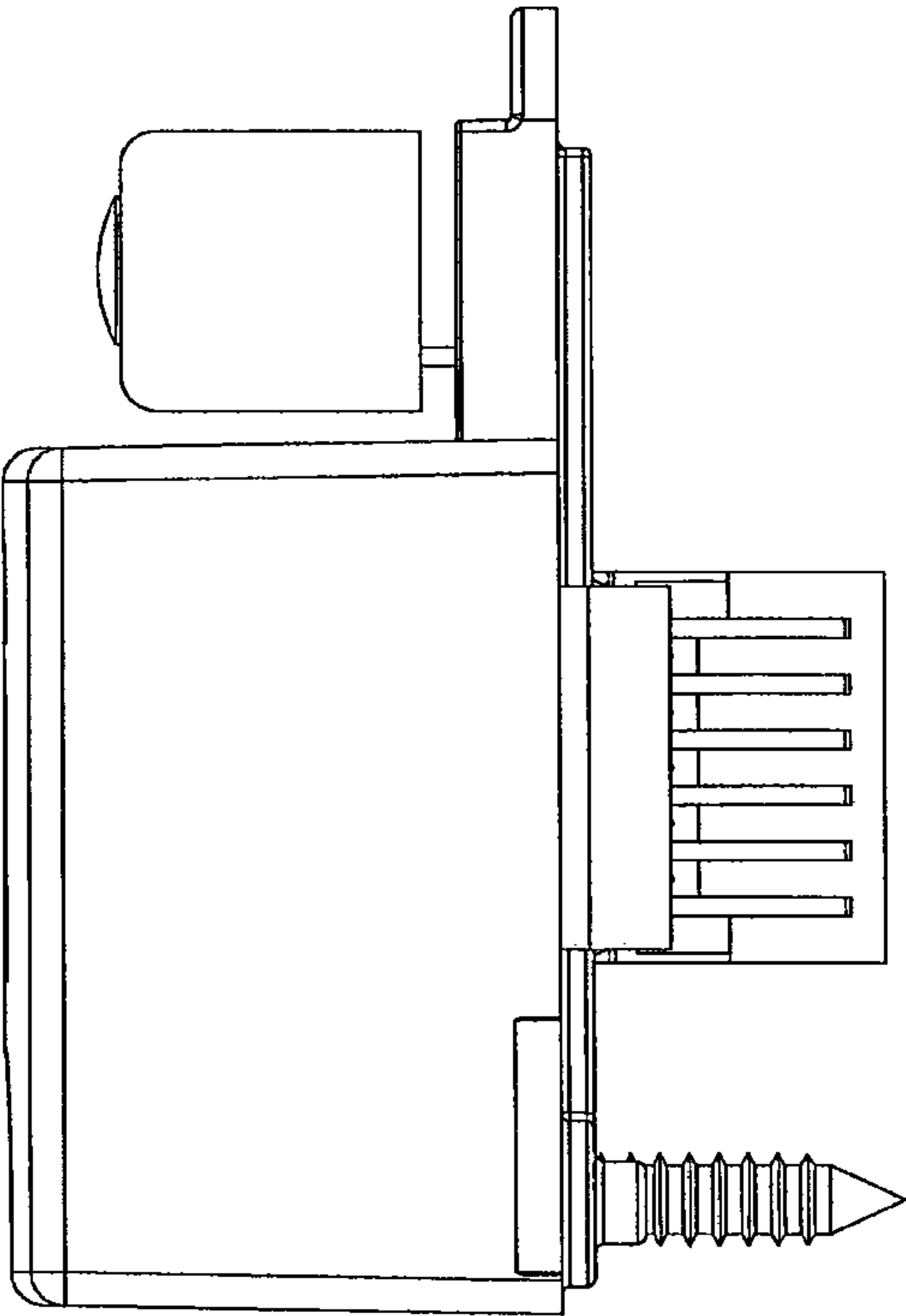


FIG. 14