



US00D706227S

(12) **United States Design Patent**  
**Jiang et al.**

(10) **Patent No.:** **US D706,227 S**  
(45) **Date of Patent:** **\*\* Jun. 3, 2014**

(54) **CABLE SHELL**

(56) **References Cited**

(71) Applicant: **Honeywell International Inc.**,  
Morristown, NJ (US)  
(72) Inventors: **Ken Jiang**, Shanghai (CN); **Chris Jiang**,  
Shanghai (CN); **Chaohong Liu**,  
Shanghai (CN); **Vincent Peng**, Shanghai  
(CN); **Denny Liu**, Shanghai (CN)

U.S. PATENT DOCUMENTS

D402,266 S *	12/1998	Siemon et al. ....	D13/156
6,210,200 B1 *	4/2001	Kranzdorf .....	439/344
D465,205 S *	11/2002	Orpilla et al. ....	D13/154
D520,458 S *	5/2006	Wada et al. ....	D13/156
D582,353 S *	12/2008	Victor .....	D13/156
D584,238 S *	1/2009	Victor .....	D13/156
D621,790 S *	8/2010	Victor .....	D13/156
D643,817 S *	8/2011	Ando et al. ....	D13/133

\* cited by examiner

(73) Assignee: **Honeywell International Inc.**,  
Morristown, NJ (US)

*Primary Examiner* — Derrick Holland

(\*\*) Term: **14 Years**

(74) *Attorney, Agent, or Firm* — Kevin Soules; Kermit D. Lopez; Luis M. Ortiz

(21) Appl. No.: **29/475,230**

(57) **CLAIM**

The ornamental design for a cable shell, as shown and described.

(22) Filed: **Dec. 2, 2013**

**DESCRIPTION**

(51) **LOC (10) Cl.** ..... **13-03**

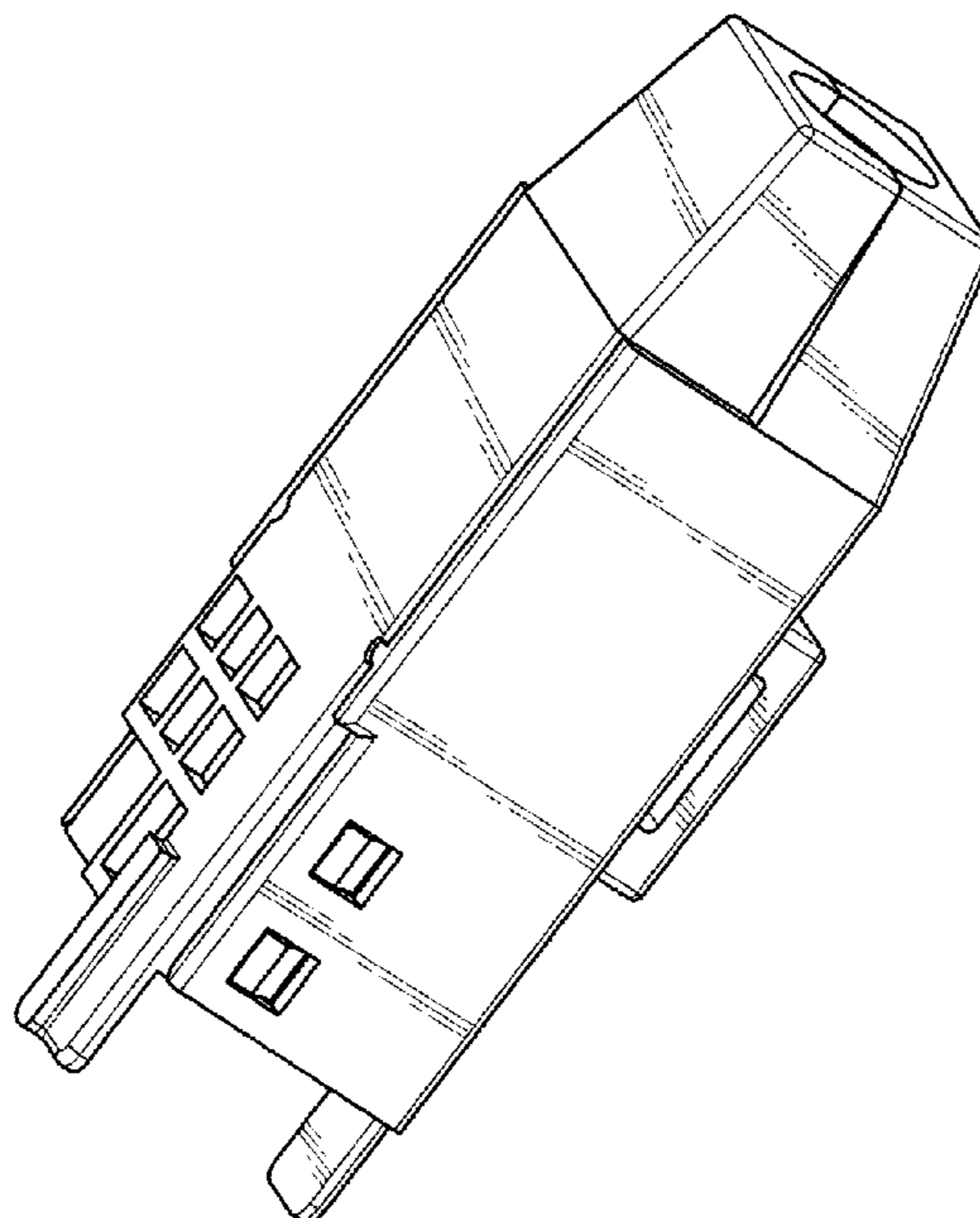
(52) **U.S. Cl.**  
USPC ..... **D13/156**

(58) **Field of Classification Search**  
USPC ..... D13/156, 129, 133, 153, 154, 155, 184,  
D13/199; 174/68.1, 72 C, 73.1, 77 R, 79, 82,  
174/83, 89, 93, 135, 138 F; 439/278, 282,  
439/296, 345, 346, 380, 445, 449, 519, 521,  
439/527, 528, 588, 589, 750, 892, 901

FIG. 1 is a front side perspective view of a cable shell;  
FIG. 2 is a rear side perspective view thereof;  
FIG. 3 is a top front perspective view thereof;  
FIG. 4 is a bottom front perspective view thereof;  
FIG. 5 is a top rear perspective view thereof;  
FIG. 6 is a bottom rear perspective view thereof;  
FIG. 7 is a front elevation view thereof;  
FIG. 8 is a rear elevation view thereof;  
FIG. 9 is a right side elevation view thereof;  
FIG. 10 is a left side elevation view thereof;  
FIG. 11 is a top plan view thereof; and,  
FIG. 12 is a bottom plan view thereof.

See application file for complete search history.

**1 Claim, 3 Drawing Sheets**



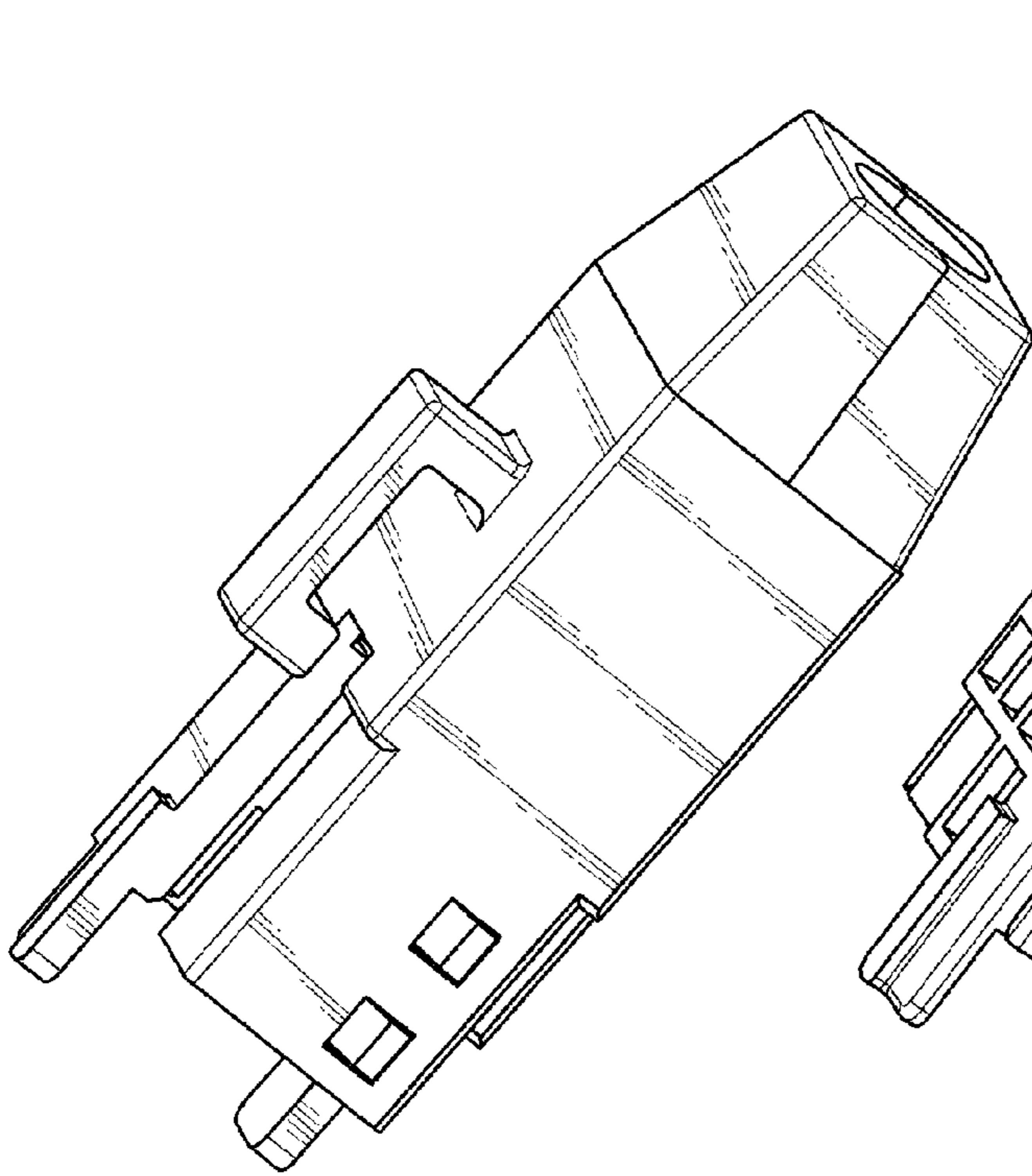


FIG. 1

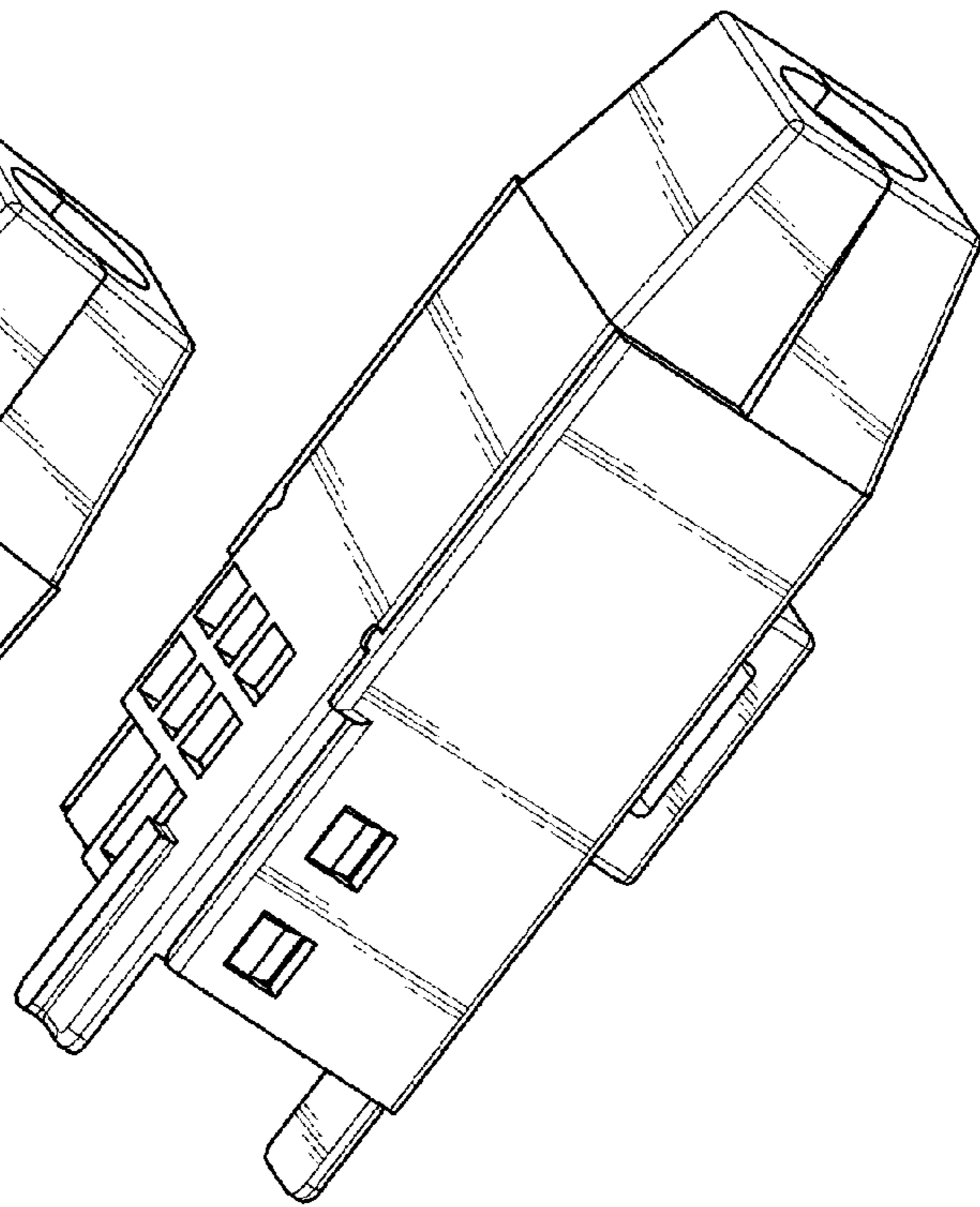


FIG. 2

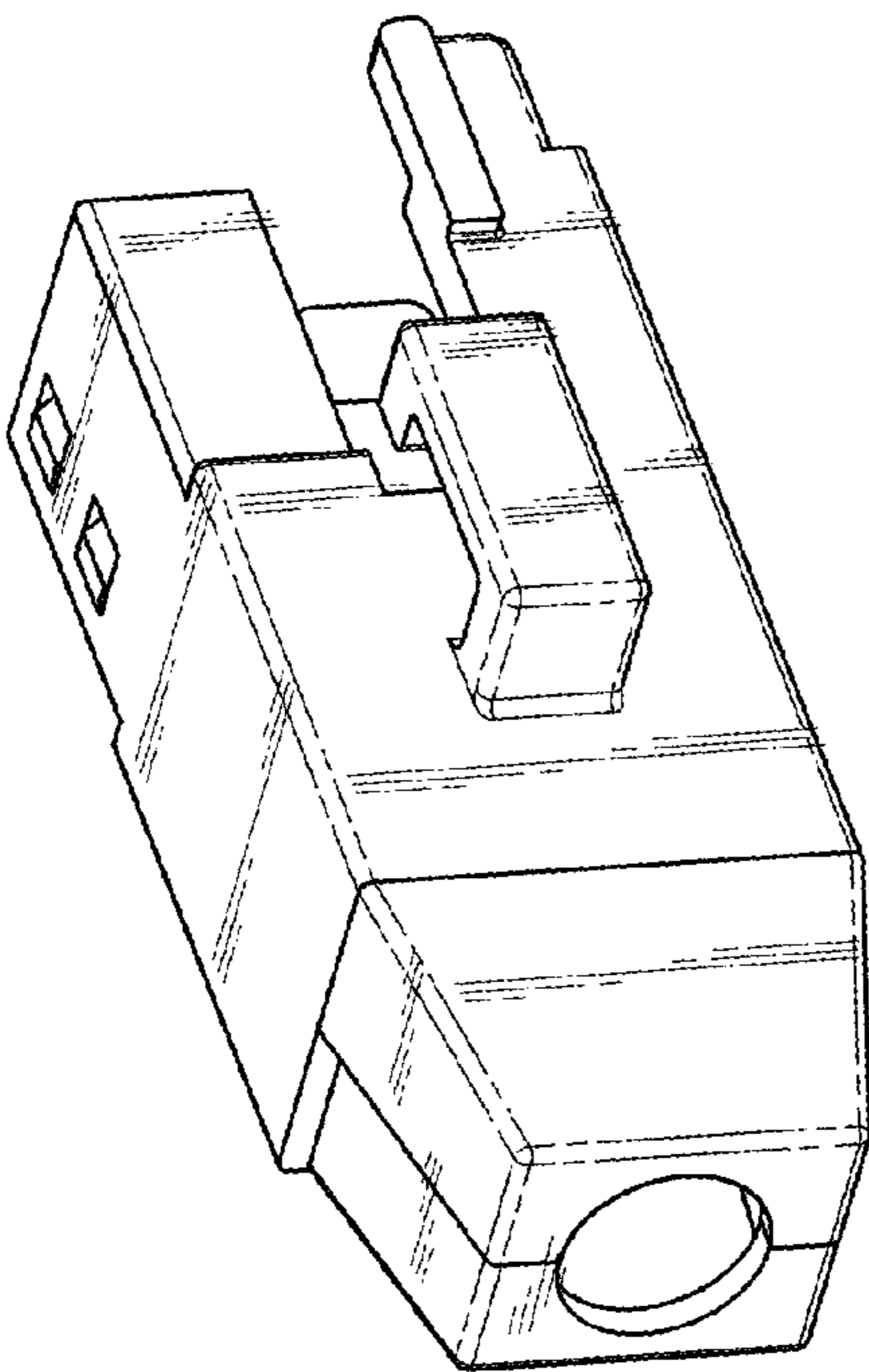


FIG. 3

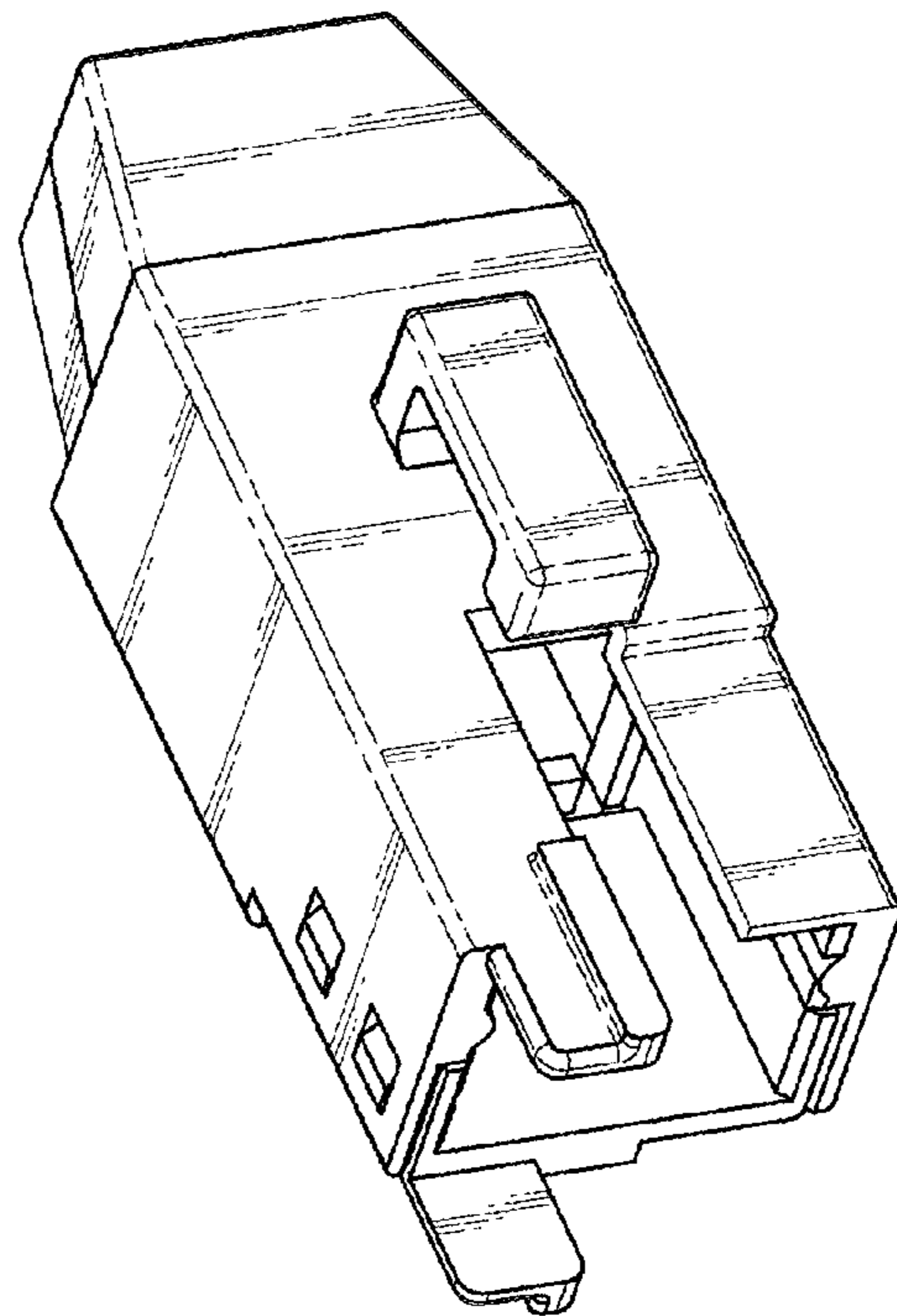


FIG. 4

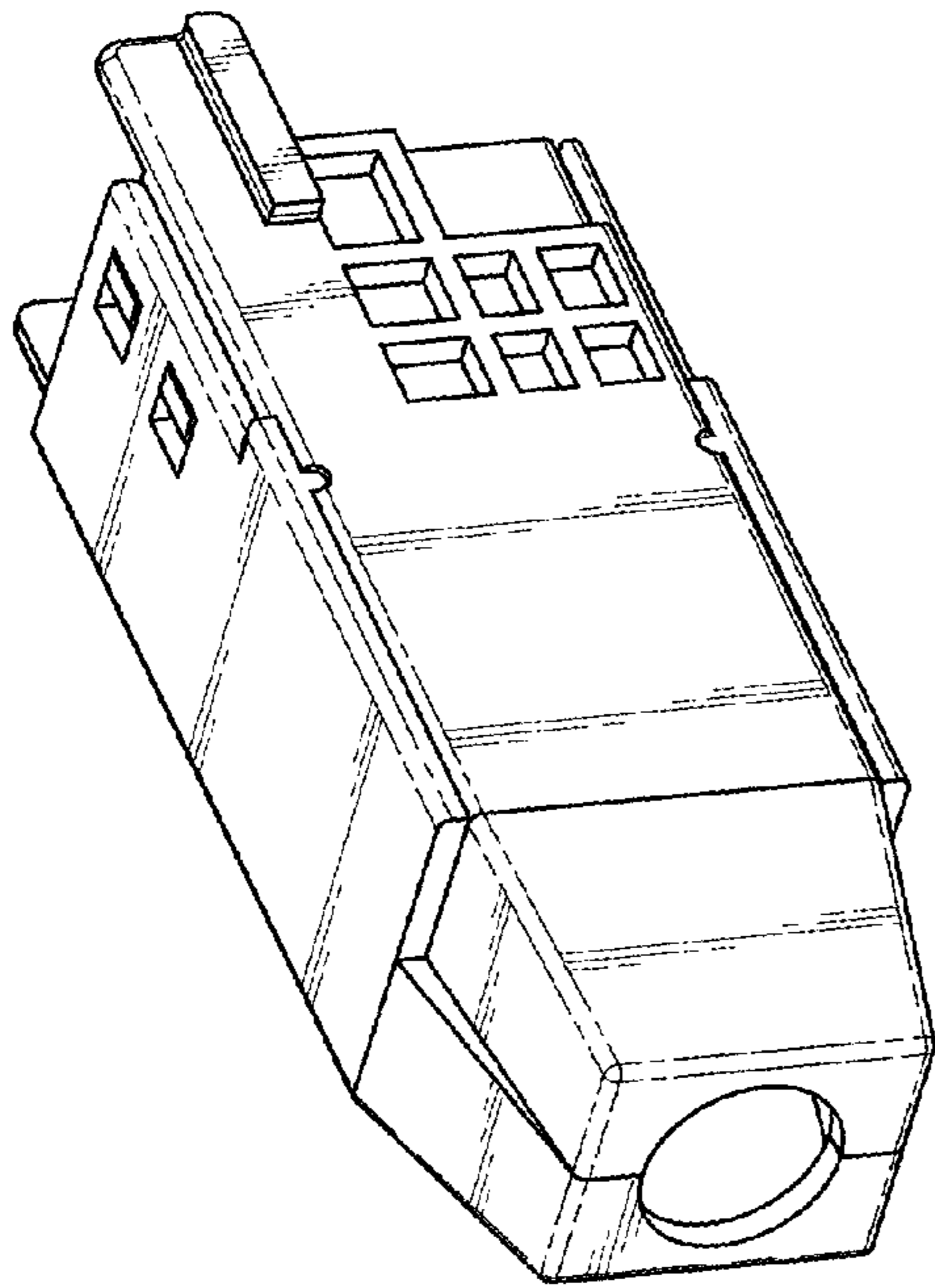


FIG. 5

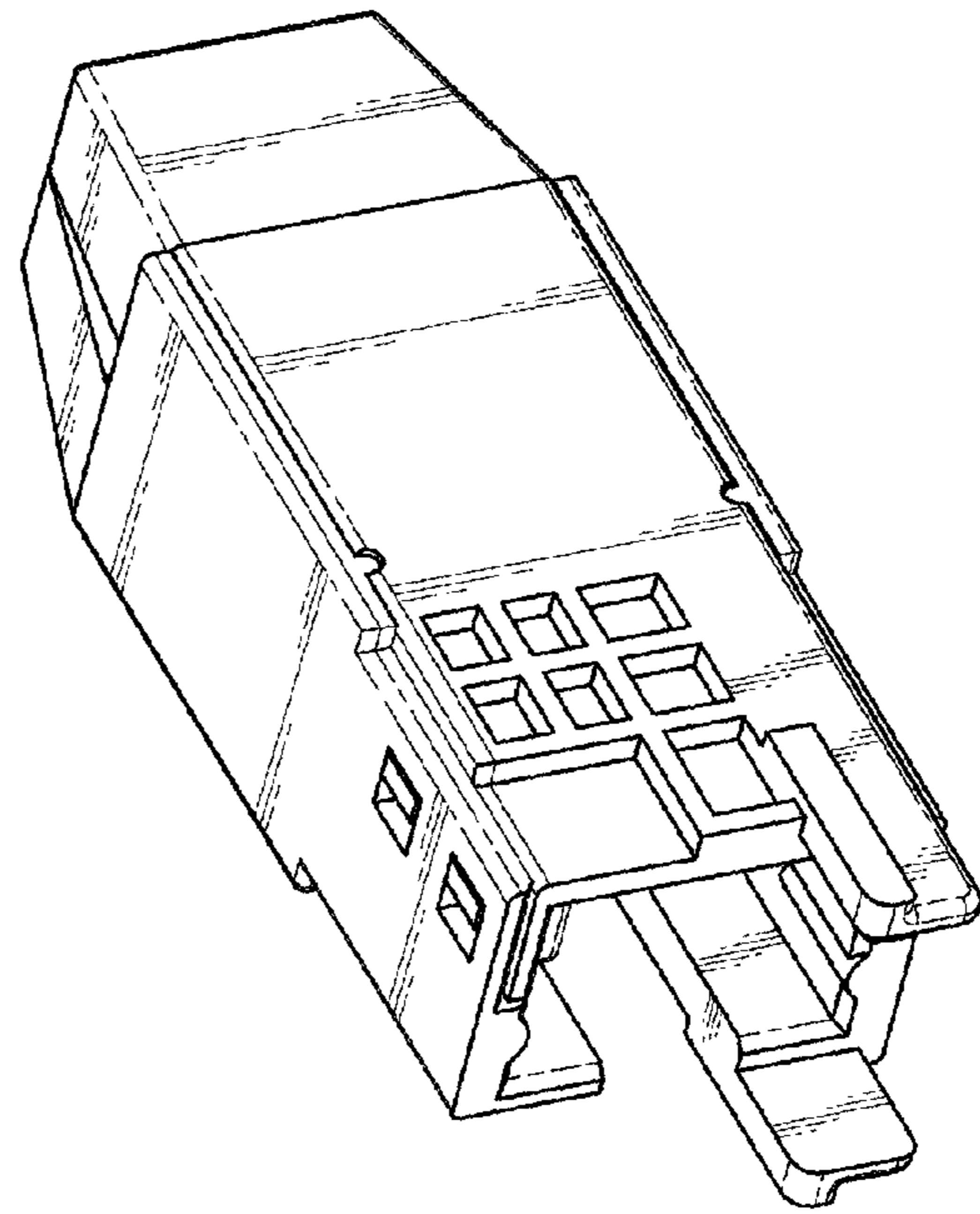


FIG. 6

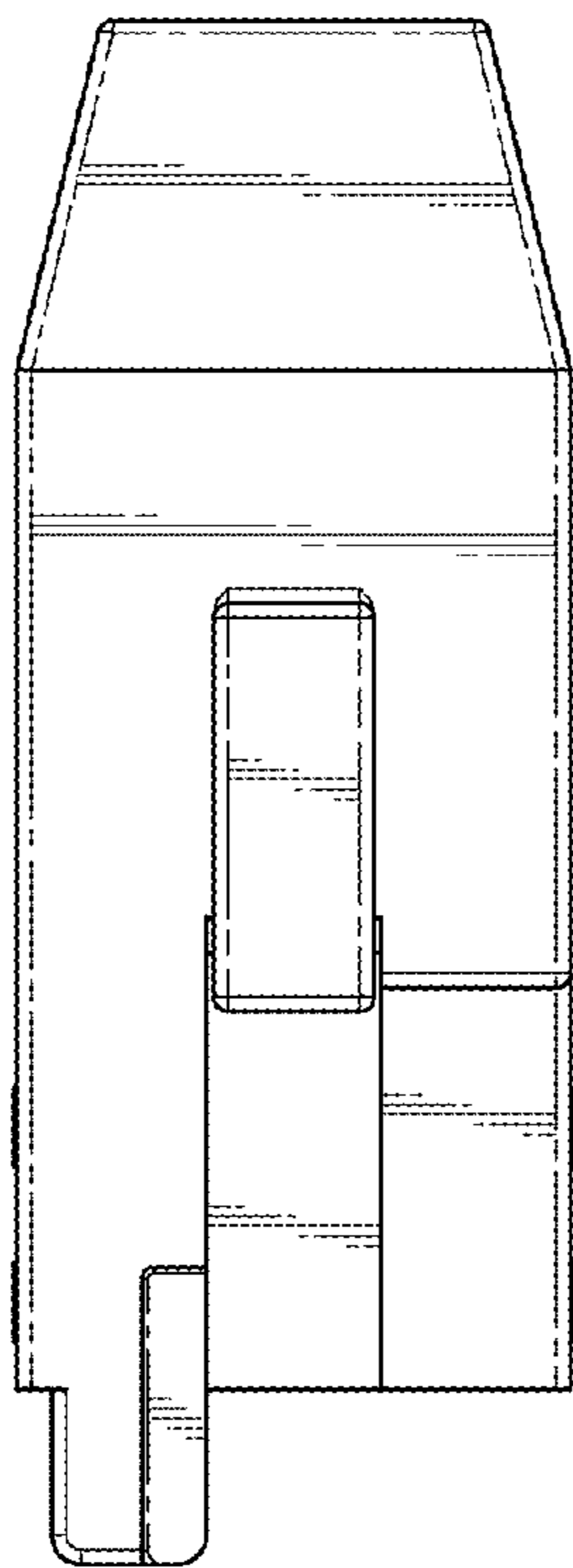


FIG. 7

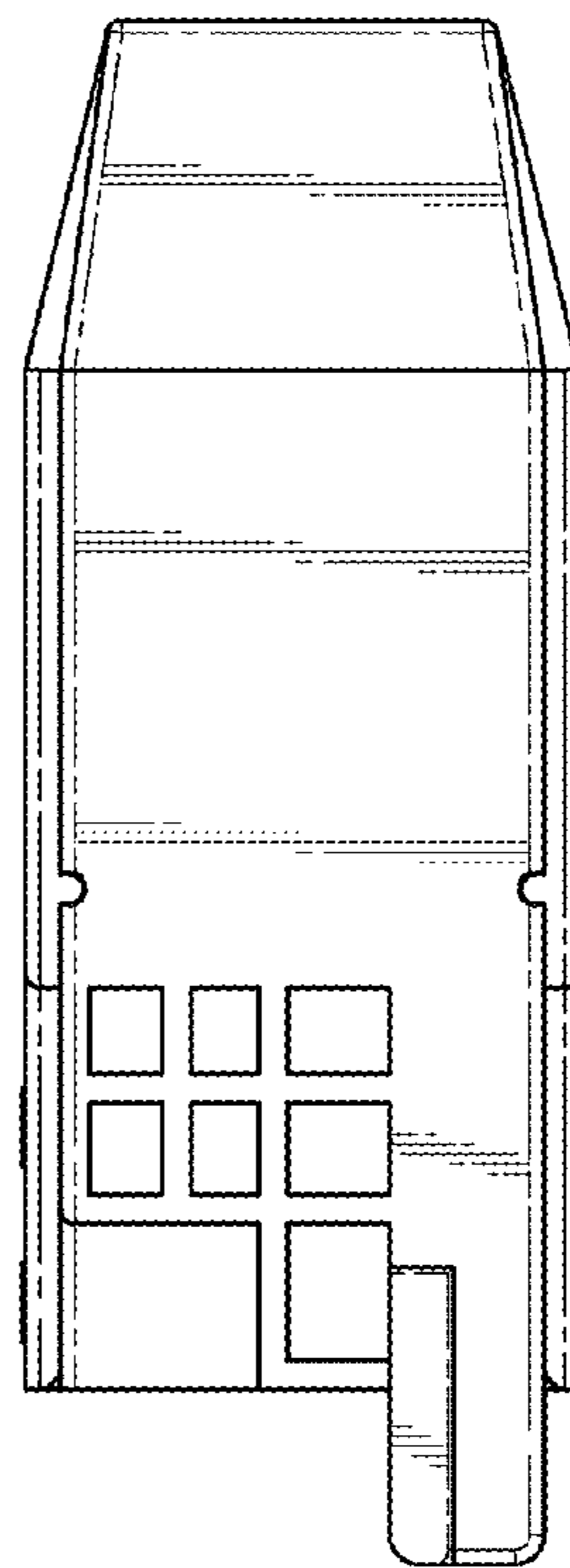


FIG. 8

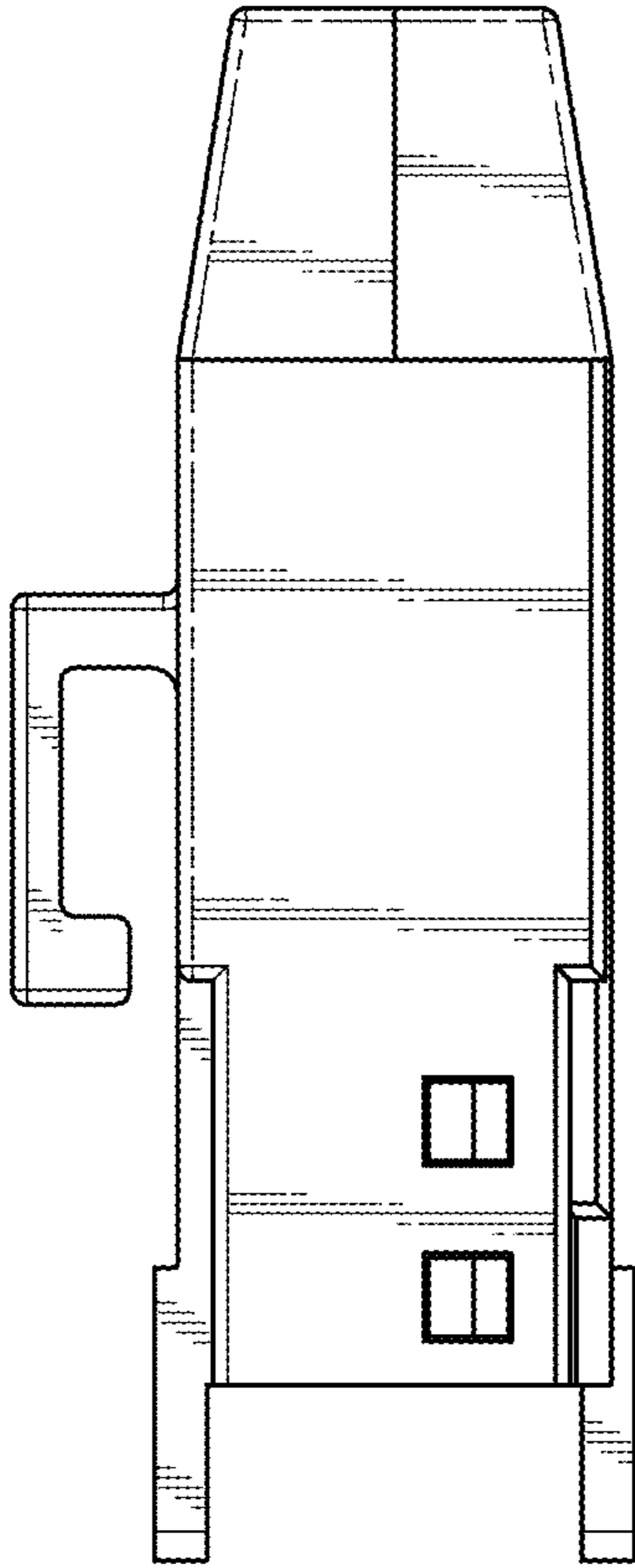


FIG. 9

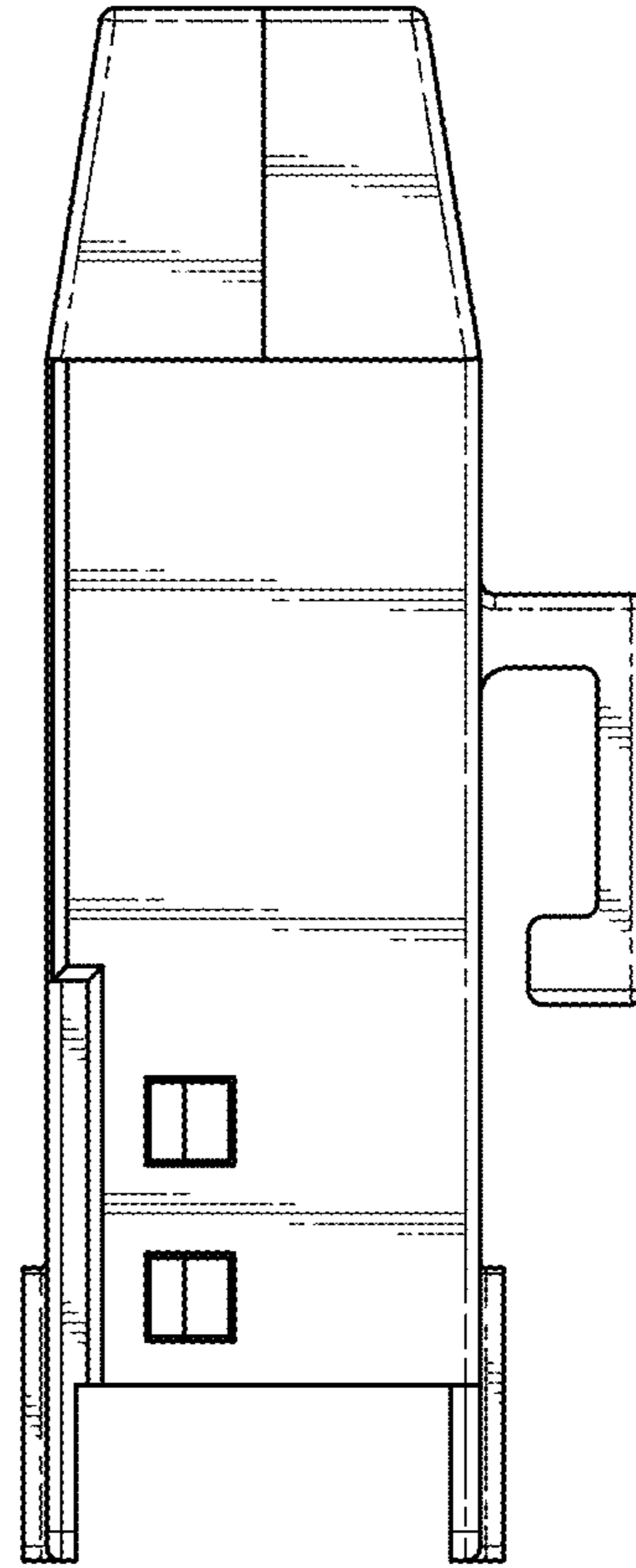


FIG. 10

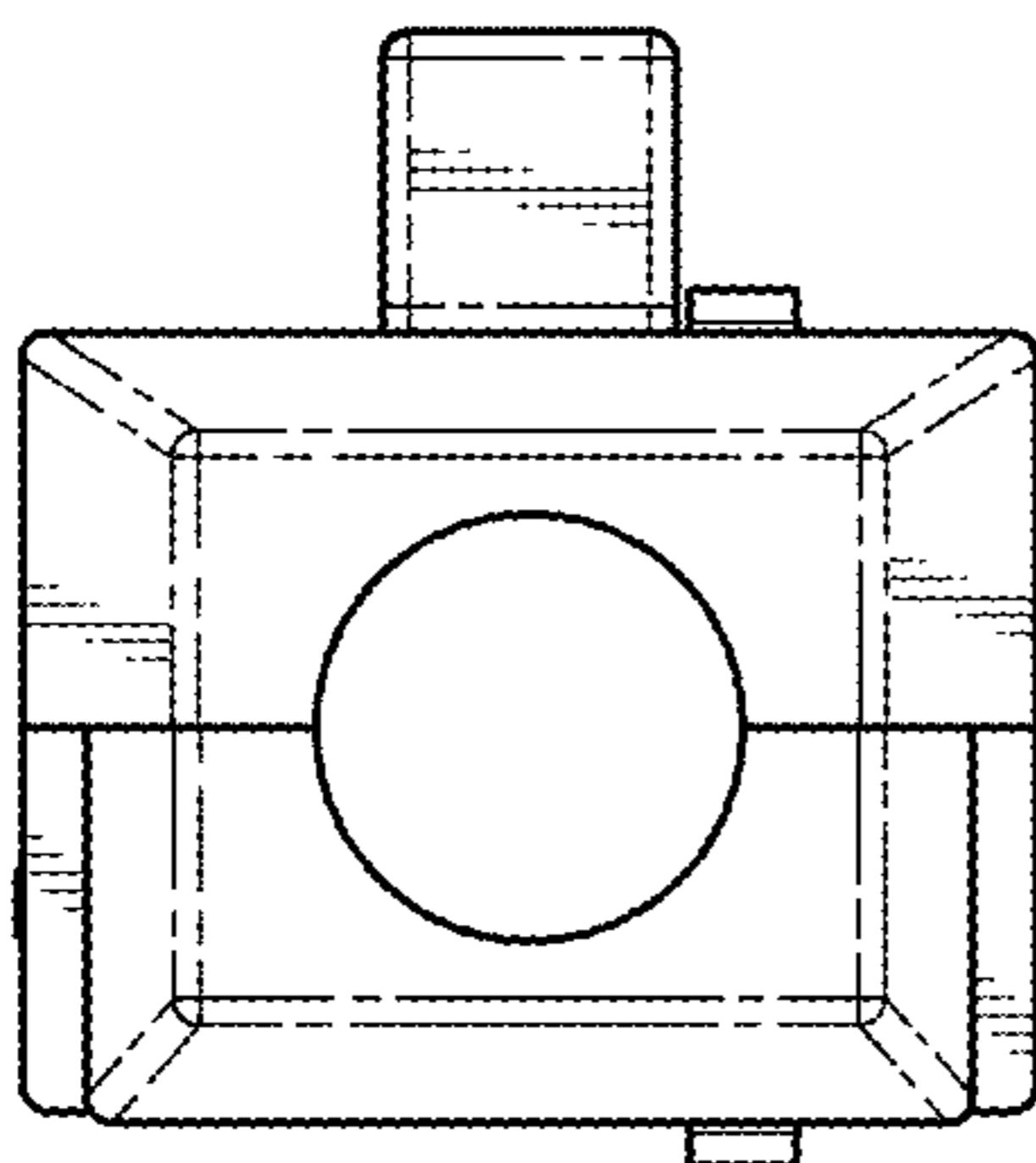


FIG. 11

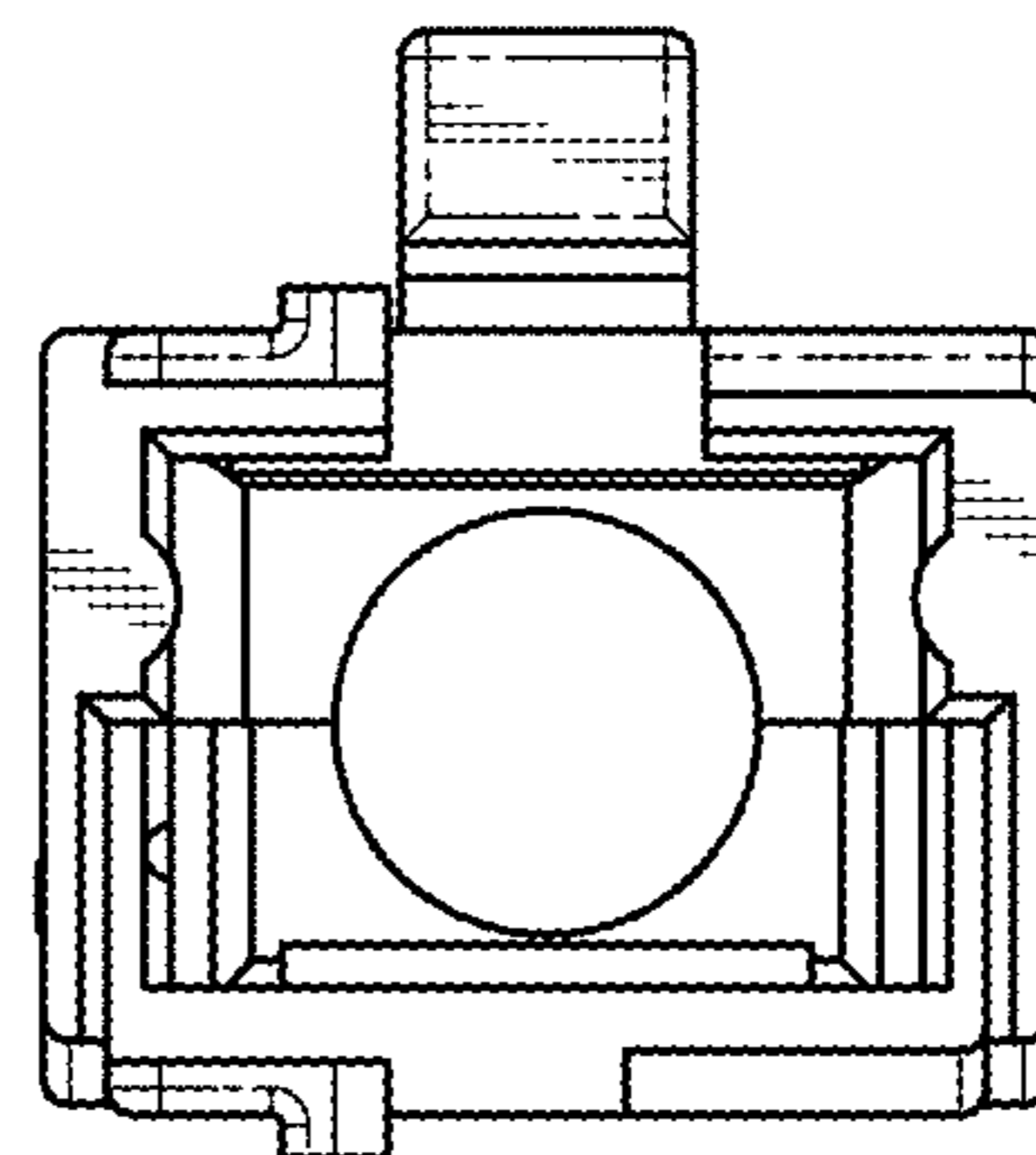


FIG. 12