



US00D706226S

(12) **United States Design Patent**
Auguste et al.

(10) **Patent No.:** **US D706,226 S**
(45) **Date of Patent:** **** Jun. 3, 2014**

(54) **GASKET FOR AN ELECTRIC PLUG**

(56) **References Cited**

(71) Applicants: **Donna M. Auguste**, Denver, CO (US);
David E. Hayes, Denver, CO (US)

(72) Inventors: **Donna M. Auguste**, Denver, CO (US);
David E. Hayes, Denver, CO (US)

(**) Term: **14 Years**

(21) Appl. No.: **29/453,444**

(22) Filed: **Apr. 29, 2013**

(51) **LOC (10) Cl.** **13-03**

(52) **U.S. Cl.**
USPC **D13/156**

(58) **Field of Classification Search**
USPC D13/156, 133, 137.1, 137.2, 138.1,
D13/138.2, 154, 177, 184, 199; D8/352,
D8/353, 354; D9/439; 174/1, 66, 67;
439/89, 109, 152, 445, 625, 651, 721,
439/934, 956

See application file for complete search history.

U.S. PATENT DOCUMENTS

3,194,944 A *	7/1965	Papp	219/205
4,618,740 A *	10/1986	Ray et al.	174/67
5,015,805 A *	5/1991	Beckloff et al.	174/75 C
D375,150 S *	10/1996	Wainer	D23/269
D434,951 S *	12/2000	Poole	D7/625
D462,056 S *	8/2002	Chung	D13/137.1
D583,648 S *	12/2008	Cushman	D8/343
D636,336 S *	4/2011	Clark	D13/137.2

* cited by examiner

Primary Examiner — Derrick Holland

(74) *Attorney, Agent, or Firm* — TIPS Group

(57) **CLAIM**

The ornamental design for a gasket for an electric plug, as shown and described.

DESCRIPTION

FIG. 1 is a perspective view of a gasket for an electric plug showing of our new design; FIG. 2 is a front elevational view thereof, the rear elevational view being a mirror image; and, FIG. 3 is a top plan view thereof, the bottom plan view being a mirror image.

The broken lines shown represent unclaimed subject matter and form no part of the claimed design.

1 Claim, 1 Drawing Sheet

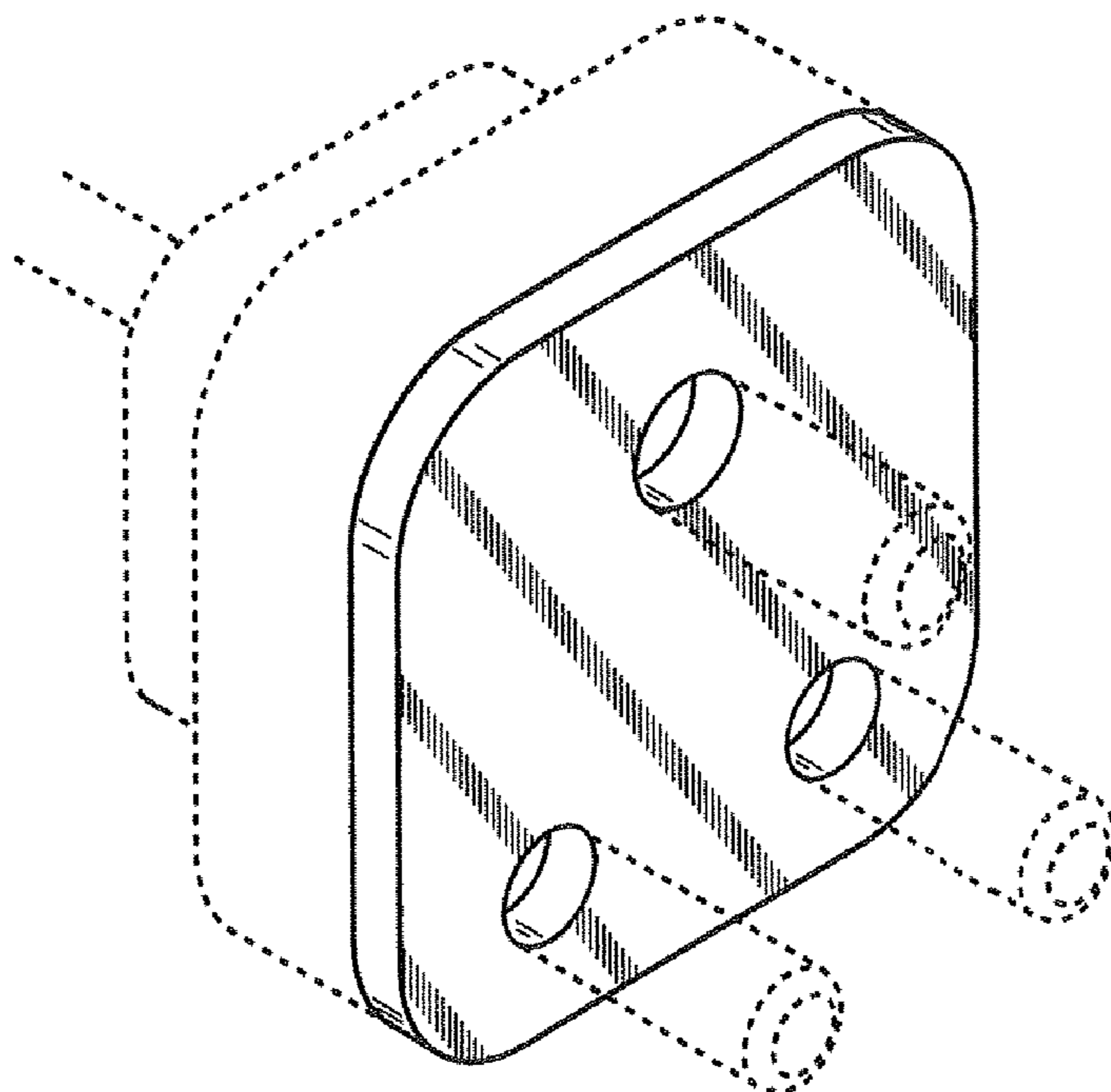


Fig. 1

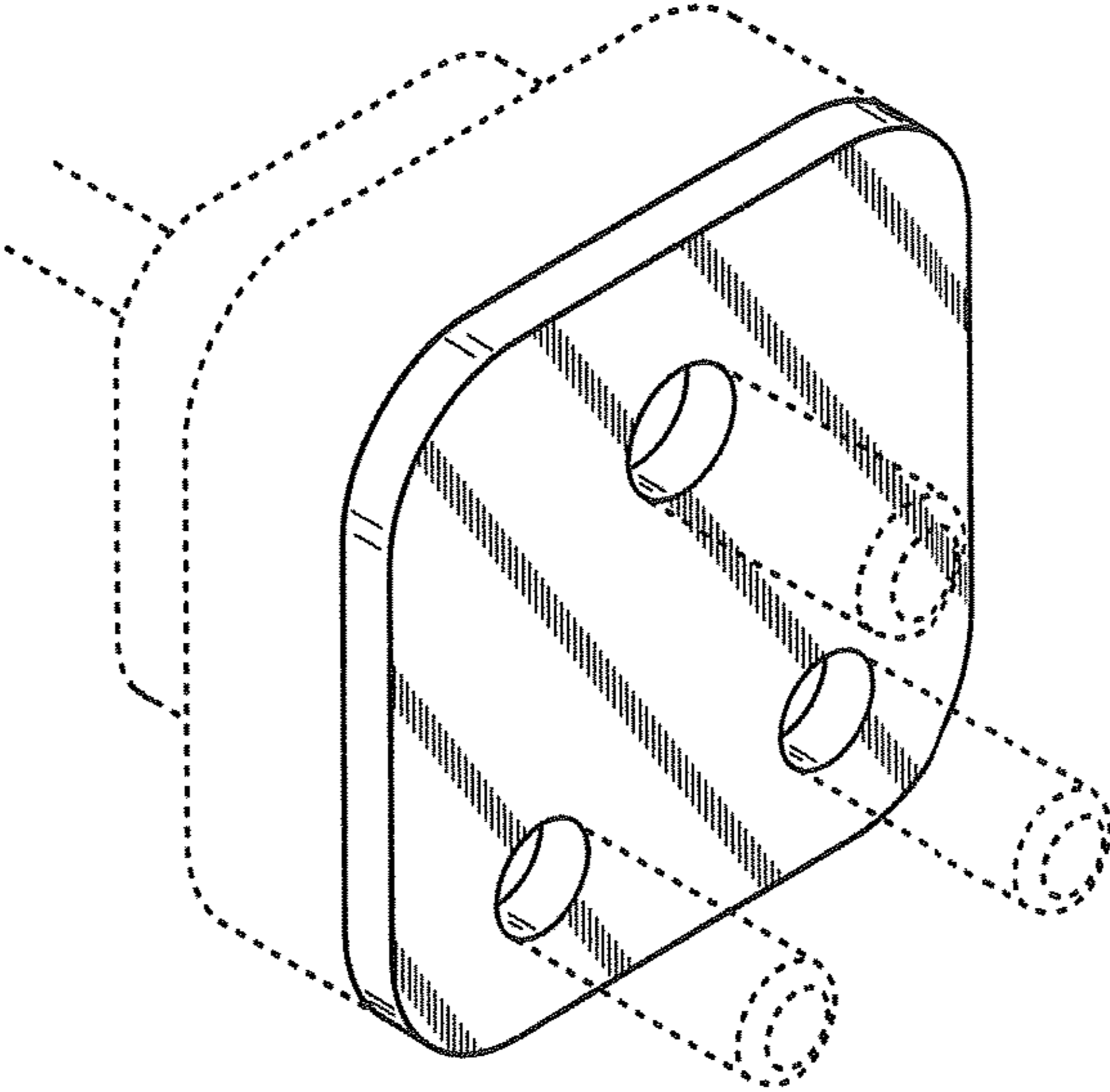


Fig. 2

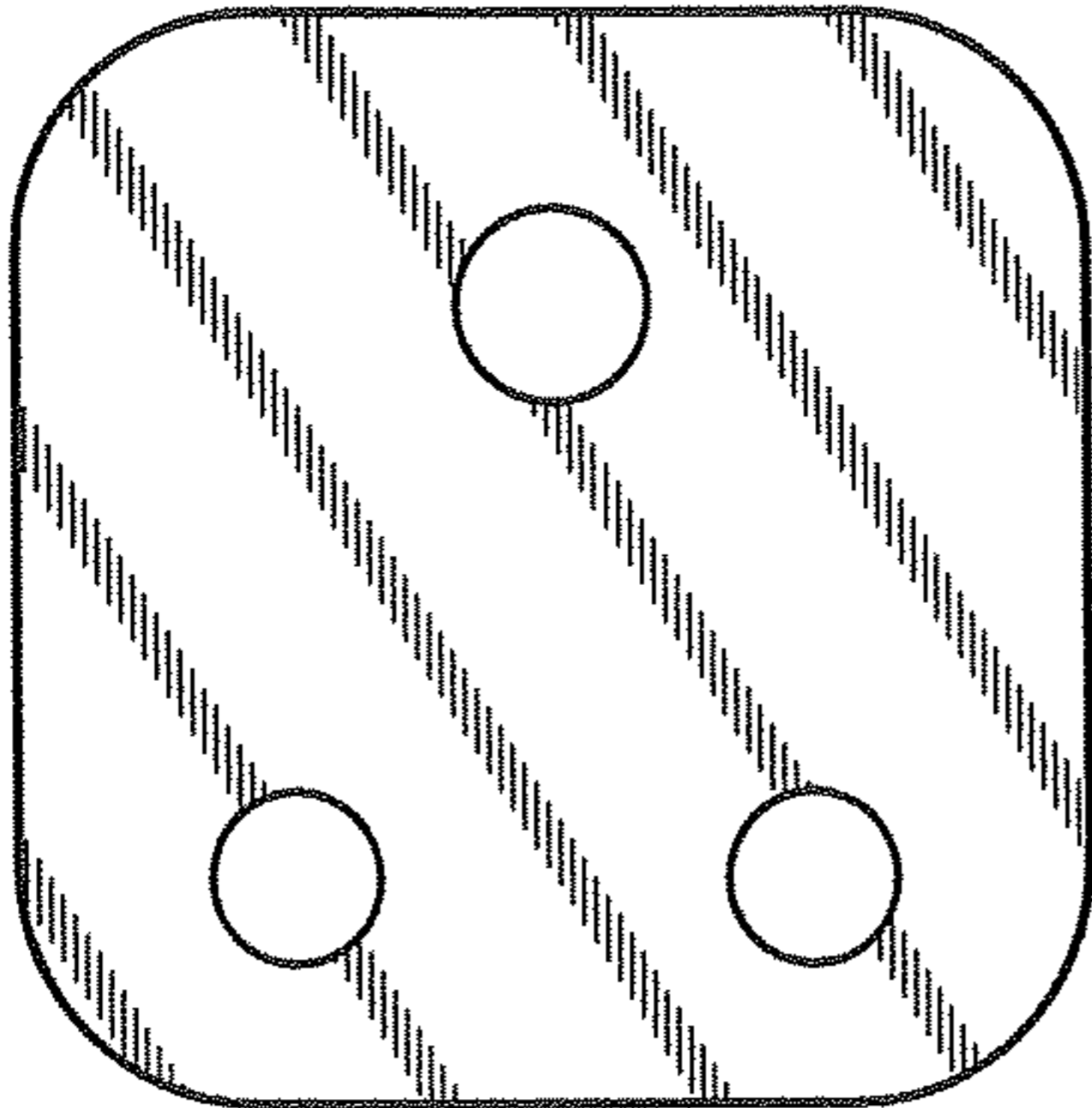


Fig. 3

