



US00D706225S

(12) **United States Design Patent**
deLoache, III et al.

(10) **Patent No.:** **US D706,225 S**

(45) **Date of Patent:** **** Jun. 3, 2014**

(54) **CABLE CLIP**

(71) Applicants: **Robert Lee deLoache, III**, Watkinsville, GA (US); **David Cory deLoache**, Watkinsville, GA (US)

(72) Inventors: **Robert Lee deLoache, III**, Watkinsville, GA (US); **David Cory deLoache**, Watkinsville, GA (US)

(**) Term: **14 Years**

(21) Appl. No.: **29/453,190**

(22) Filed: **Apr. 26, 2013**

(51) **LOC (10) Cl.** **13-03**

(52) **U.S. Cl.**
USPC **D13/155**

(58) **Field of Classification Search**
USPC D13/155, 133, 147, 153, 154, 156, 184, D13/199; D8/354, 356, 382, 383, 386, 394, D8/396; 174/50, 68.3, 72 A, 95, 100, 135, 174/156, 168; 248/49, 56, 57, 59, 68.1; 439/521, 527, 607.41, 731, 930
See application file for complete search history.

(56) **References Cited**

U.S. PATENT DOCUMENTS

2,650,948 A	9/1953	Findlay	
3,331,106 A *	7/1967	Ruskin	24/115 R
3,890,459 A *	6/1975	Caveney	174/101
4,719,321 A *	1/1988	Kozel et al.	174/135
4,775,121 A	10/1988	Carty	

D308,819 S *	6/1990	Anscher	D8/396
5,210,913 A	5/1993	Clark	
5,224,674 A	7/1993	Simons	
5,389,082 A	2/1995	Baugues et al.	
5,795,335 A	8/1998	Zinreich	
5,870,805 A	2/1999	Kandler et al.	
5,913,692 A *	6/1999	Targett	439/369
6,099,340 A *	8/2000	Florentine	439/367
D450,570 S *	11/2001	Murata	D8/394
6,736,669 B1 *	5/2004	Martin et al.	439/527
D539,232 S *	3/2007	Lozano	D13/155
7,457,506 B1	11/2008	Osborne, II	
D597,493 S *	8/2009	Wu	D13/155
D644,501 S	9/2011	Chen	
D680,083 S *	4/2013	Olson	D13/156
2004/0135039 A1	7/2004	Reichert et al.	
2005/0189453 A1 *	9/2005	DeGuevara	248/68.1
2011/0308046 A1	12/2011	Weiss	

* cited by examiner

Primary Examiner — Derrick Holland

(74) *Attorney, Agent, or Firm* — Mitch Harris, Atty at Law, LLC; Andrew M. Harris

(57) **CLAIM**

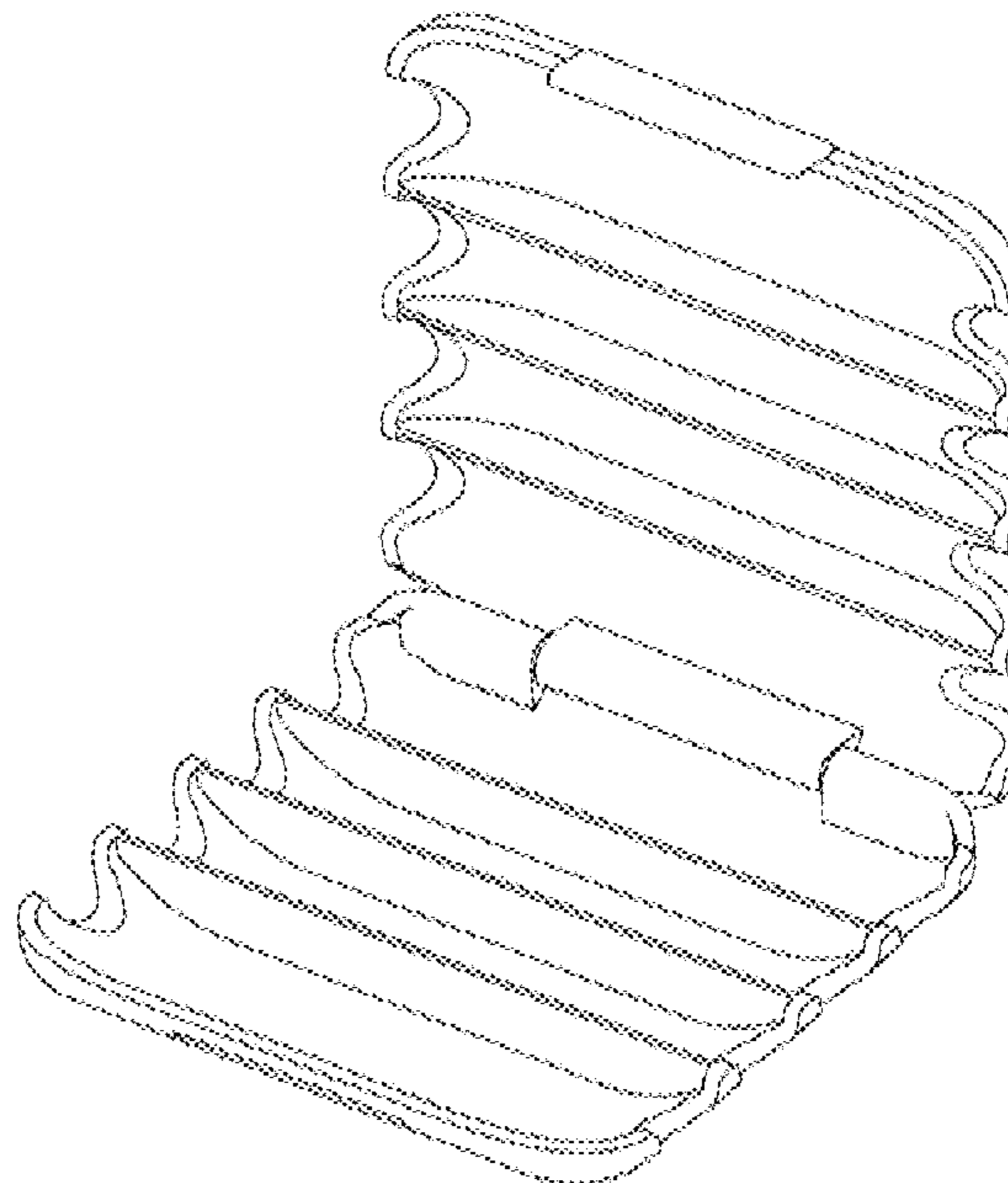
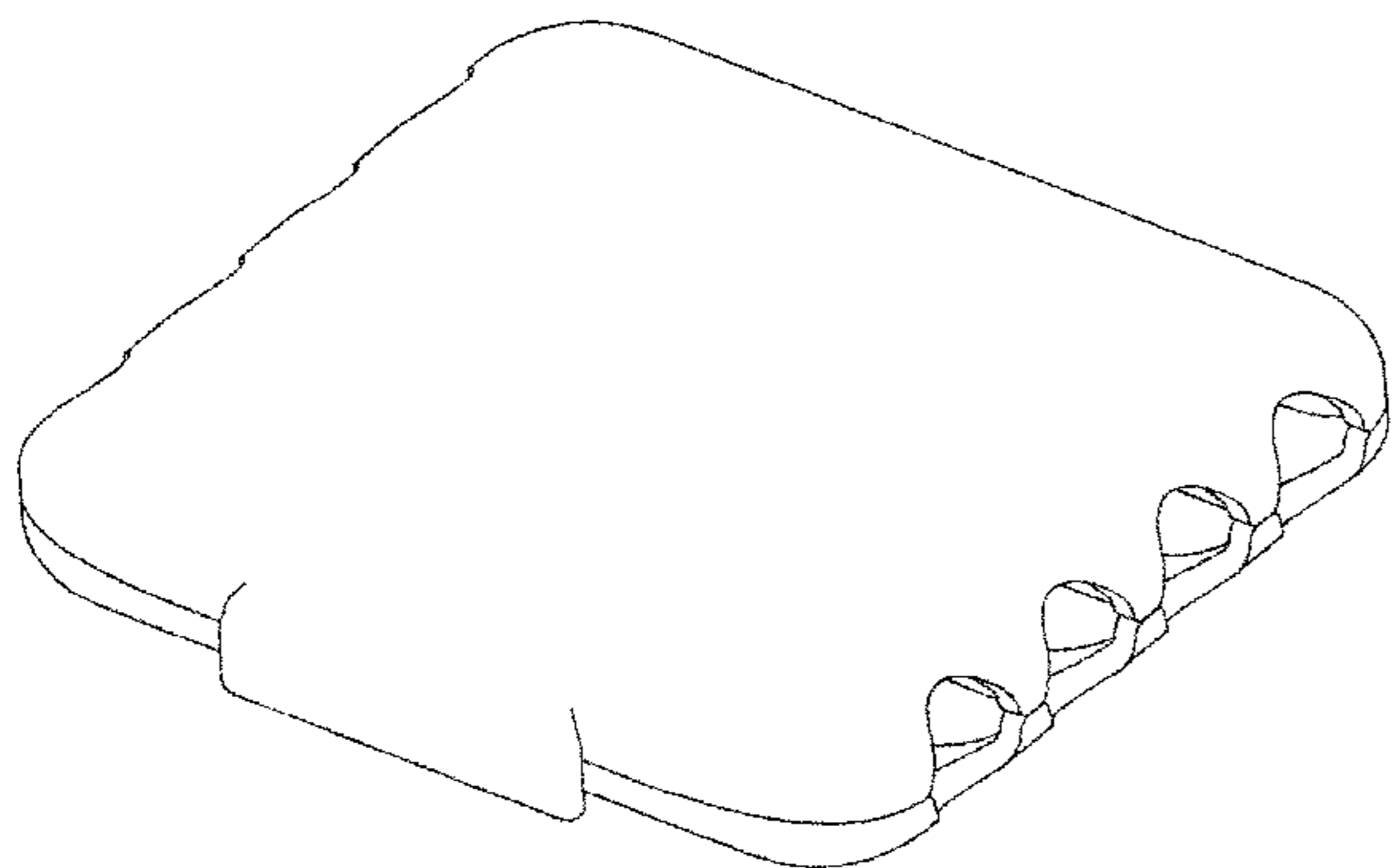
The ornamental design for a cable clip, as shown and described.

DESCRIPTION

FIG. 1 is an isometric view of the cable clip in a closed configuration; and,

FIG. 2 is an isometric view of the cable clip in an open configuration.

1 Claim, 2 Drawing Sheets



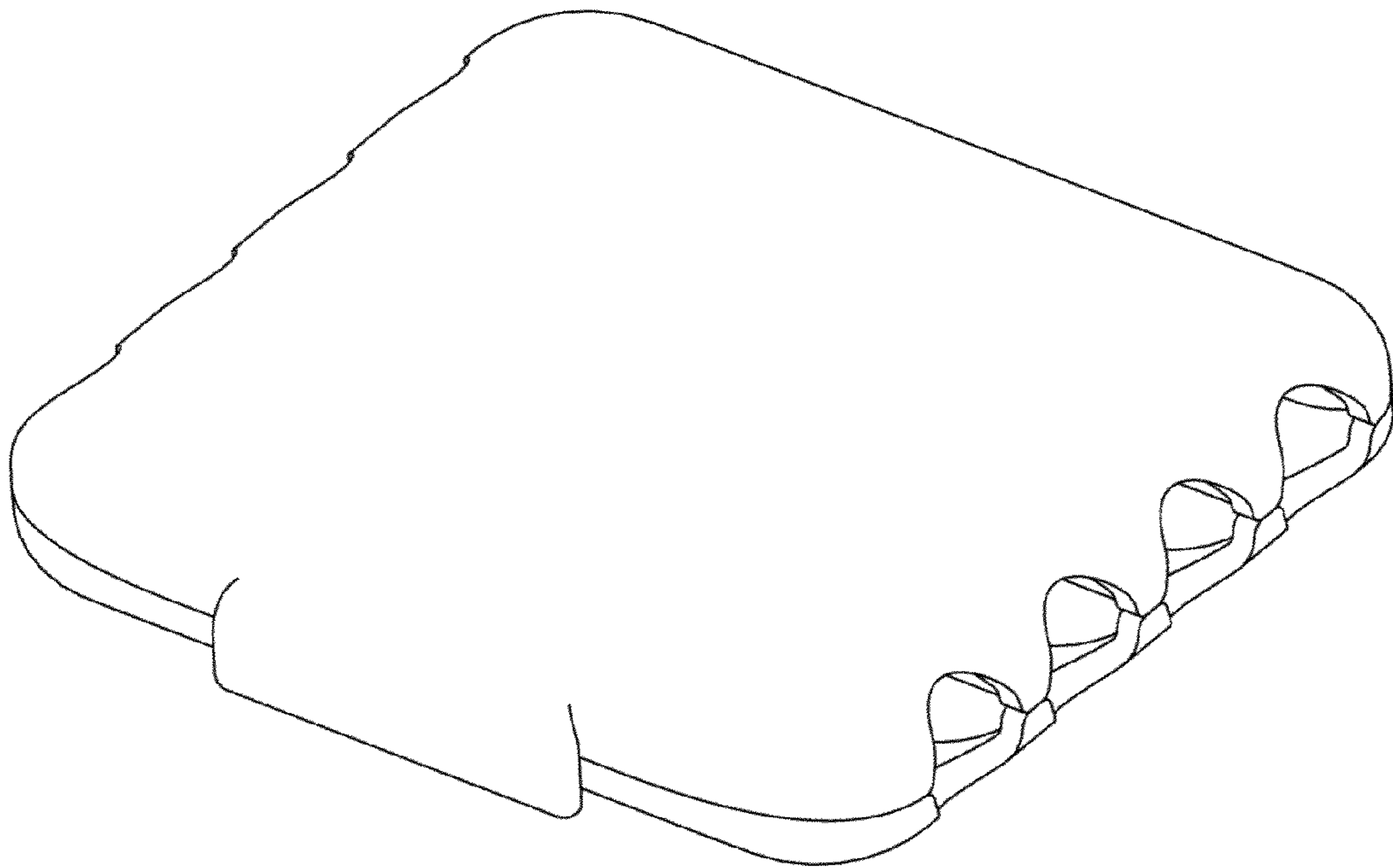


Fig. 1

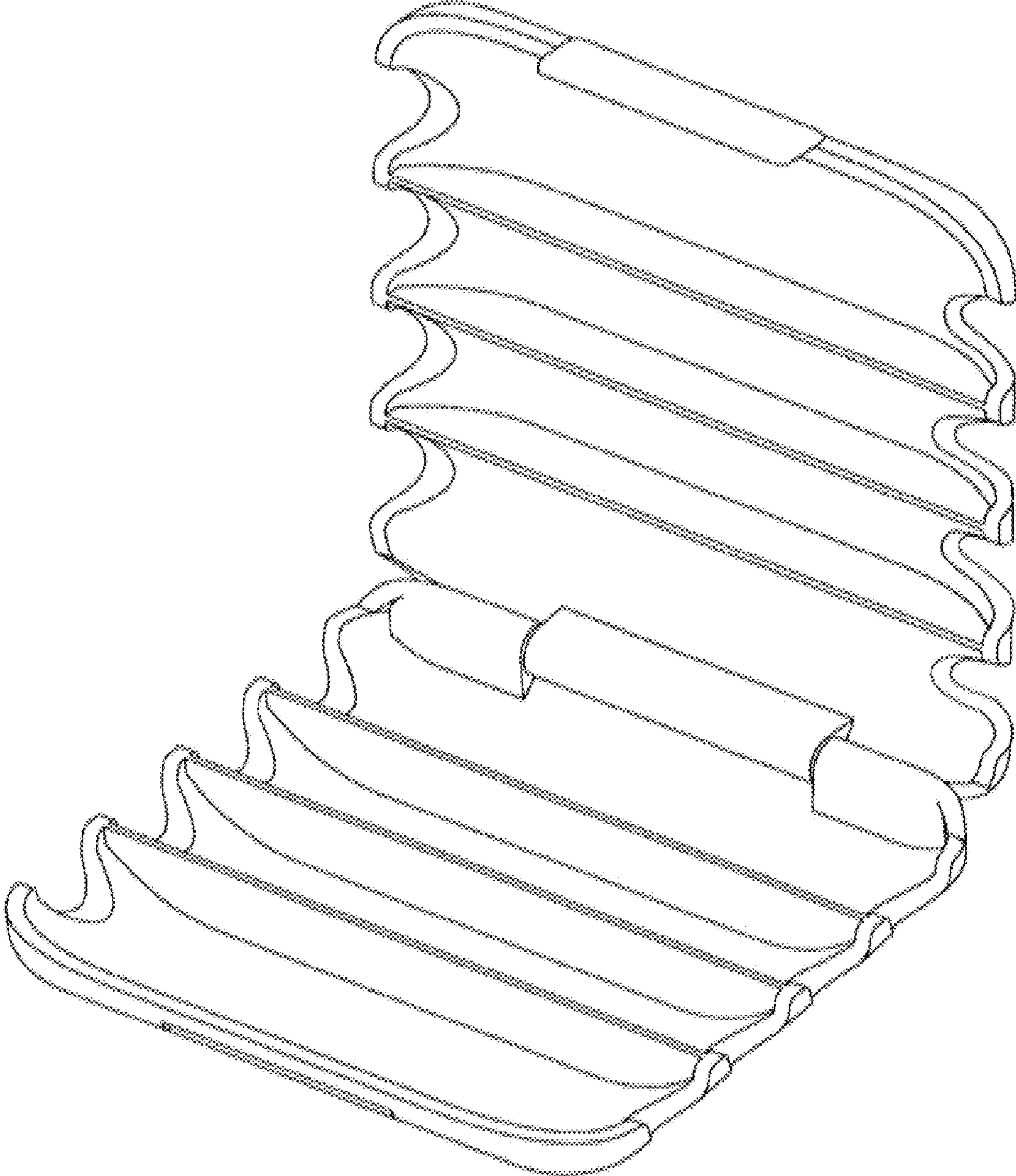


Fig. 2