



US00D706224S

(12) **United States Design Patent**
Kimura et al.

(10) **Patent No.:** **US D706,224 S**
(45) **Date of Patent:** **** Jun. 3, 2014**

(54) **ELECTRICAL CONTACT FOR USE IN A
PLATING APPARATUS**

(71) Applicant: **Ebara Corporation**, Tokyo (JP)

(72) Inventors: **Masaaki Kimura**, Tokyo (JP);
Mitsutoshi Yahagi, Tokyo (JP);
Toshikazu Yajima, Tokyo (JP)

(73) Assignee: **Ebara Corporation**, Tokyo (JP)

(**) Term: **14 Years**

(21) Appl. No.: **29/462,320**

(22) Filed: **Aug. 1, 2013**

(51) **LOC (10) Cl.** **13-03**

(52) **U.S. Cl.**
USPC **D13/154**

(58) **Field of Classification Search**
USPC D13/133, 146, 147, 148, 154, 184, 199;
439/82, 83, 636, 271, 272, 277, 839,
439/849-850, 852, 862, 870, 877, 884-885,
439/887-891, 927

See application file for complete search history.

(56) **References Cited**

U.S. PATENT DOCUMENTS

5,043,528	A *	8/1991	Mohr	174/355
6,500,012	B1 *	12/2002	Billenstein et al.	439/92
D519,931	S *	5/2006	Van Haaster	D13/153
D556,692	S	12/2007	Yahagi et al.		
D624,025	S *	9/2010	Luo et al.	D13/154
D651,178	S	12/2011	Fujikata et al.		
D669,439	S *	10/2012	Fujikata et al.	D13/148

* cited by examiner

Primary Examiner — Daniel Bui

(74) *Attorney, Agent, or Firm* — Pearne & Gordon LLP

(57) **CLAIM**

The ornamental design for an electrical contact for use in a plating apparatus, as shown and described.

DESCRIPTION

FIG. 1 is a top perspective view of an electrical contact for use in a plating apparatus showing our new design; FIG. 2 is a bottom perspective view thereof; FIG. 3 is a front elevation view thereof; FIG. 4 is a bottom plan view thereof; FIG. 5 is a top plan view thereof; FIG. 6 is a rear elevation view thereof; and, FIG. 7 is a right side elevation view thereof, a left side elevation view being a mirror image thereto.

1 Claim, 2 Drawing Sheets

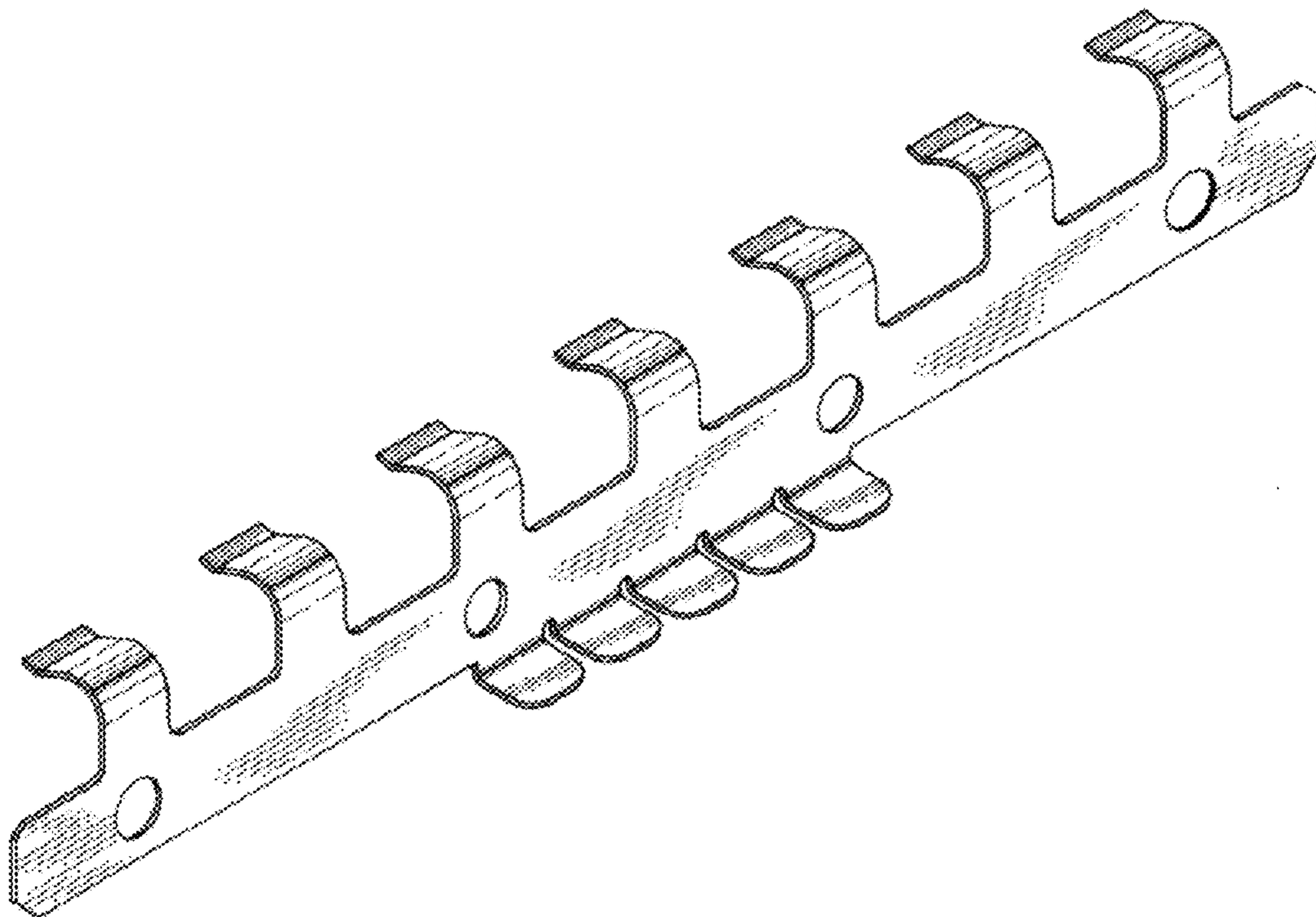


FIG. 1

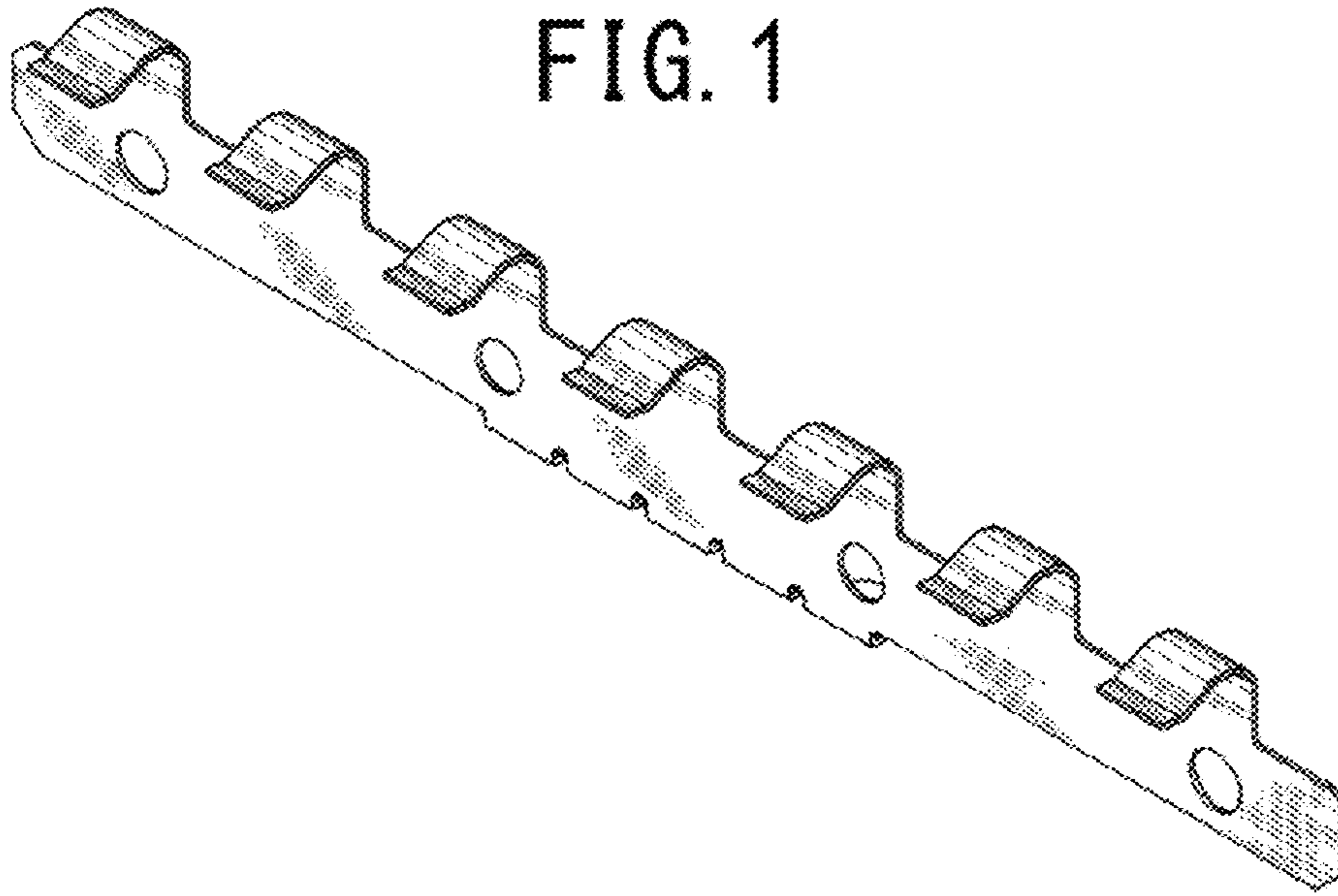


FIG. 2

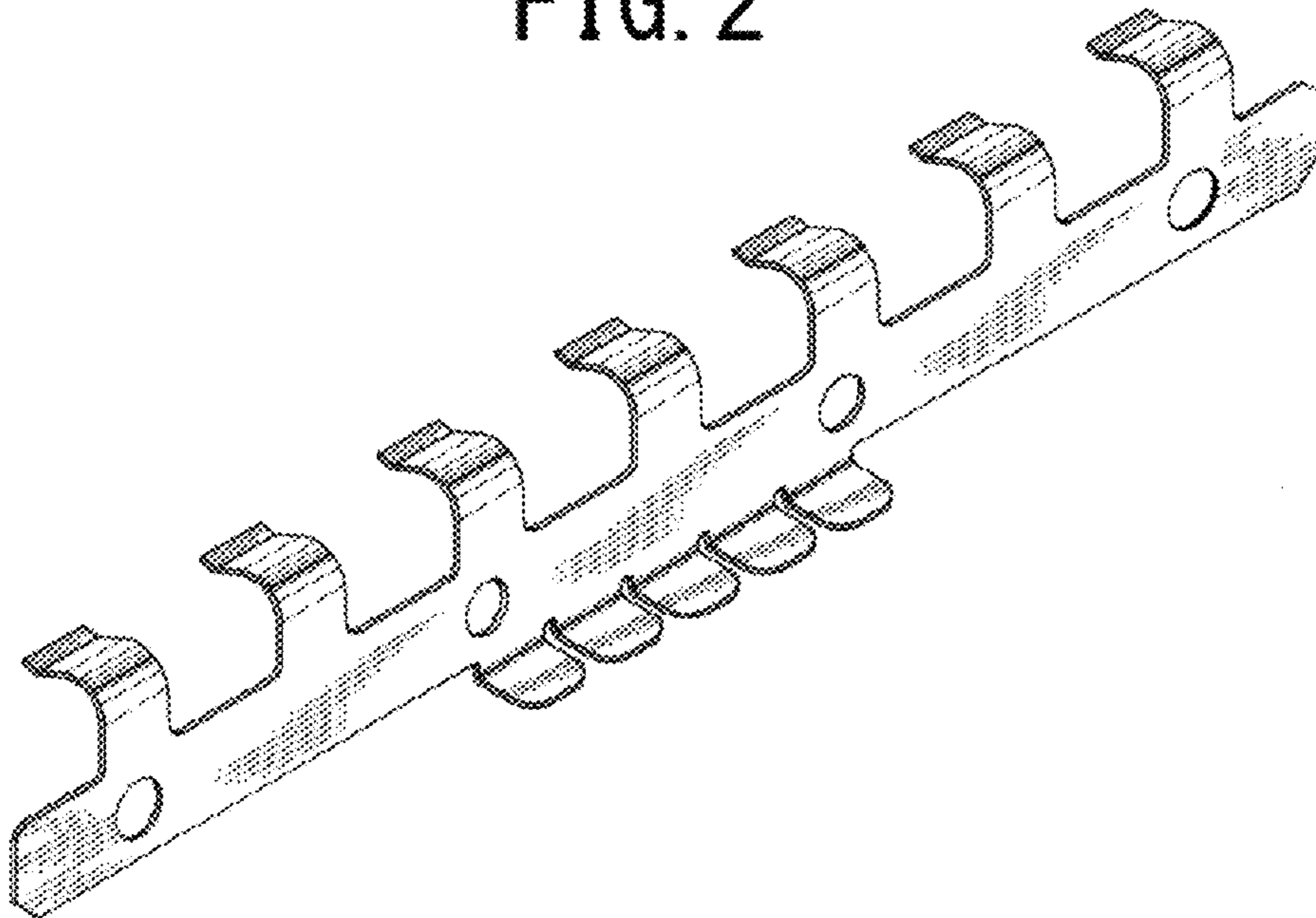


FIG. 3

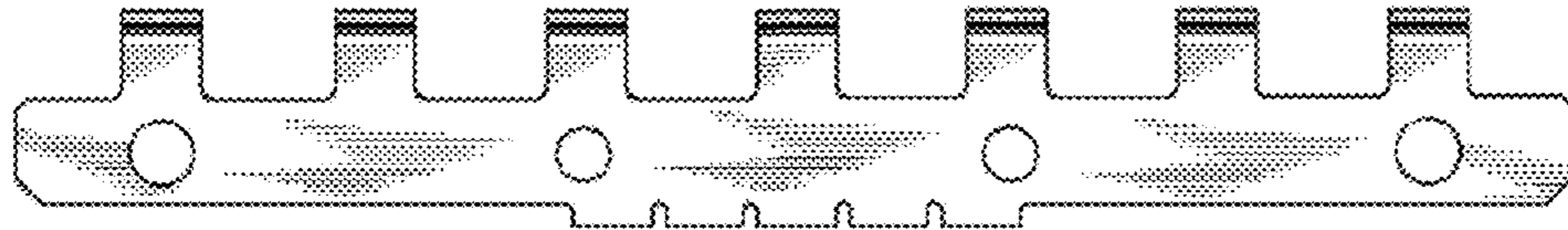


FIG. 4

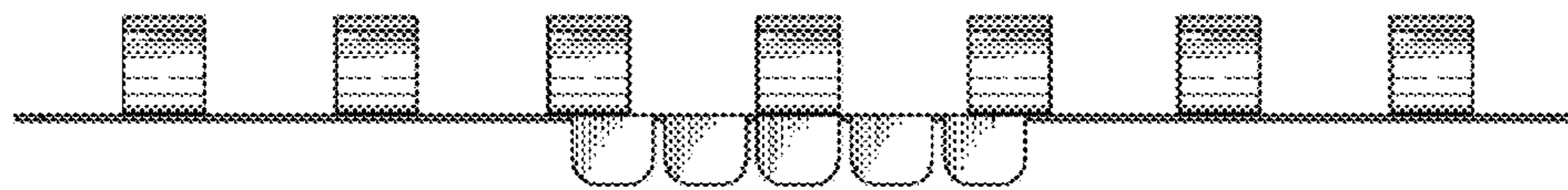


FIG. 5

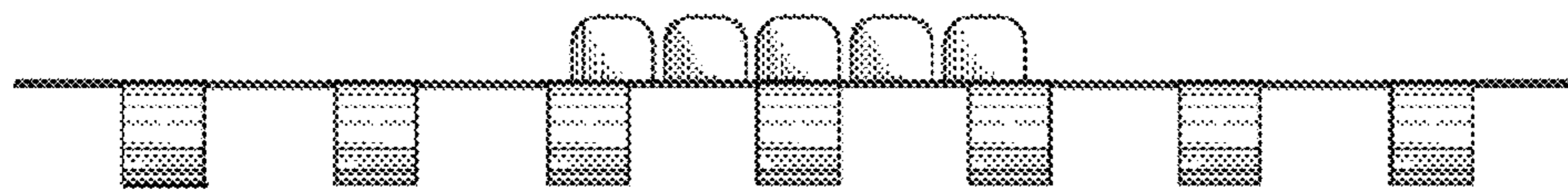


FIG. 6

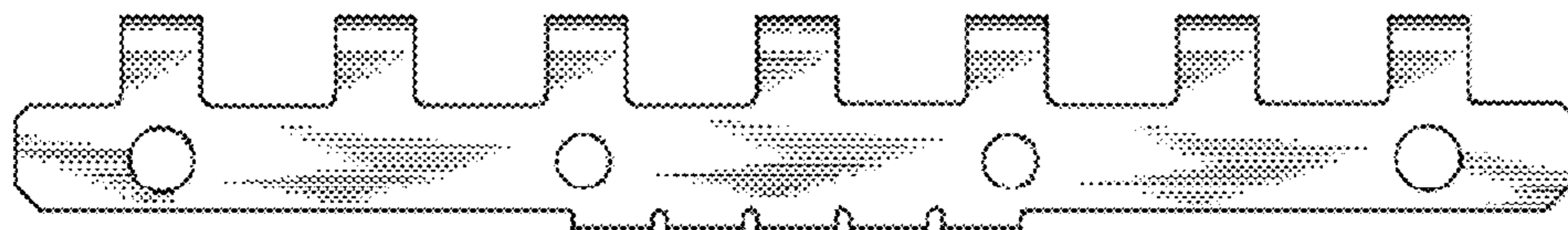


FIG. 7

