

US00D706223S

(12) **United States Design Patent**
Naito et al.

(10) **Patent No.:** **US D706,223 S**
(45) **Date of Patent:** **** Jun. 3, 2014**

(54) **ELECTRICAL CONNECTOR**

(71) Applicant: **Japan Aviation Electronics Industry, Limited**, Tokyo (JP)

(72) Inventors: **Takeharu Naito**, Tokyo (JP); **Yoshifumi Kubota**, Tokyo (JP)

(73) Assignee: **Japan Aviation Electronics Industry, Limited**, Tokyo (JP)

(**) Term: **14 Years**

(21) Appl. No.: **29/453,644**

(22) Filed: **May 1, 2013**

(30) **Foreign Application Priority Data**

Nov. 20, 2012 (JP) 2012-028302

(51) **LOC (10) Cl.** **13-03**

(52) **U.S. Cl.**
USPC **D13/147**

(58) **Field of Classification Search**
USPC D13/147, 154, 184, 199; 439/79, 108, 439/180, 246, 374, 378, 488, 527, 529, 530, 439/533, 567, 607.1, 607.4, 607.5, 607.17, 439/607.25, 607.34, 607.41, 607.53, 668, 439/680, 892, 894

See application file for complete search history.

(56) **References Cited**

U.S. PATENT DOCUMENTS

D618,625 S *	6/2010	Nagata et al.	D13/147
D627,734 S *	11/2010	Sun et al.	D13/147
D637,559 S *	5/2011	Wada et al.	D13/147
D637,958 S *	5/2011	Asano et al.	D13/147
D639,245 S *	6/2011	Wada et al.	D13/147

* cited by examiner

Primary Examiner — Daniel Bui

(74) *Attorney, Agent, or Firm* — Westerman, Hattori, Daniels & Adrian, LLP

(57) **CLAIM**

The ornamental design for an electrical connector, as shown and described.

DESCRIPTION

FIG. 1 is a front elevational view of an electrical connector, showing our new design;

FIG. 2 is a rear elevational view thereof;

FIG. 3 is a right side elevational view thereof;

FIG. 4 is a left side elevational view thereof;

FIG. 5 is a top plan view thereof;

FIG. 6 is a bottom plan view thereof;

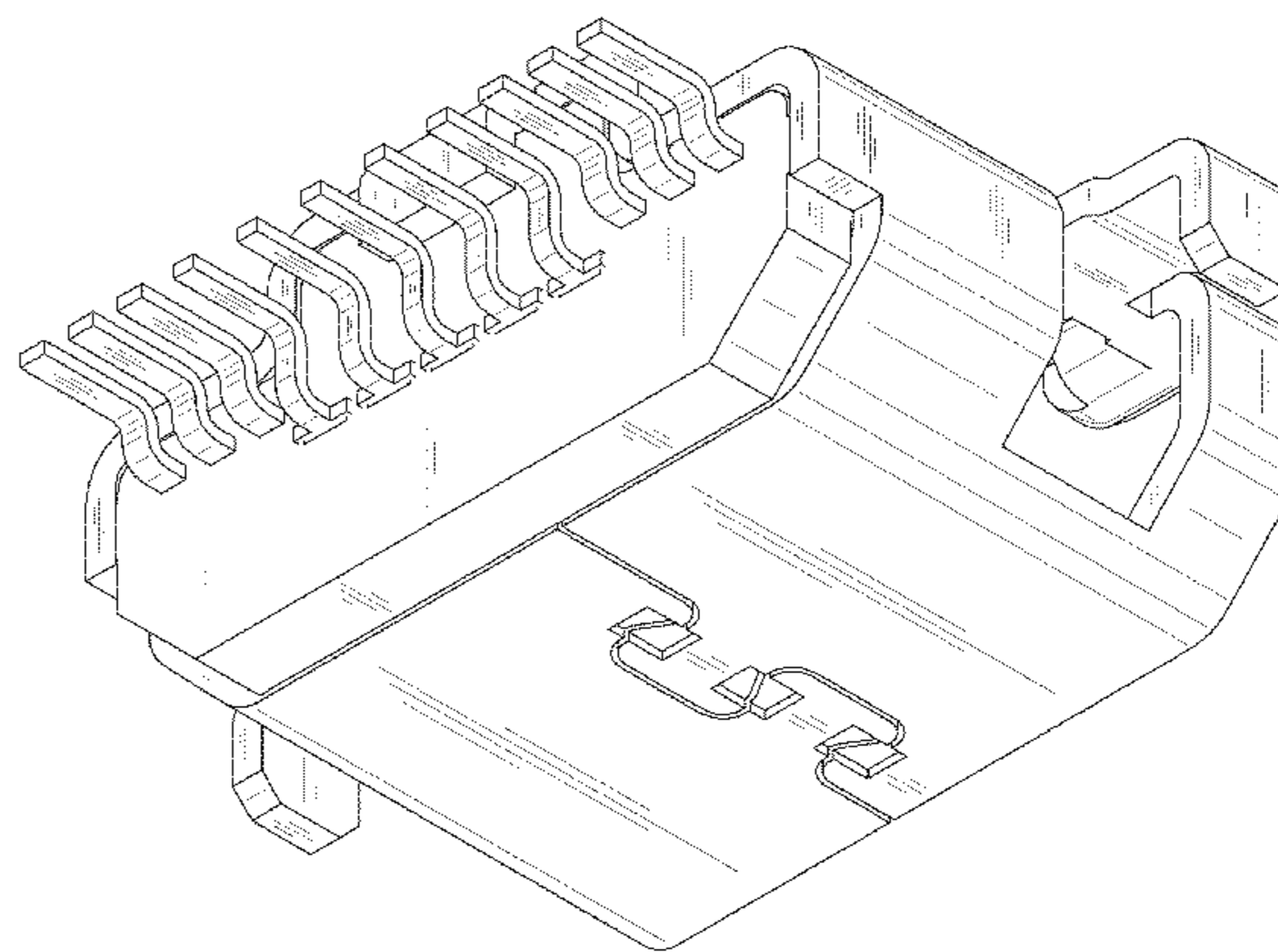
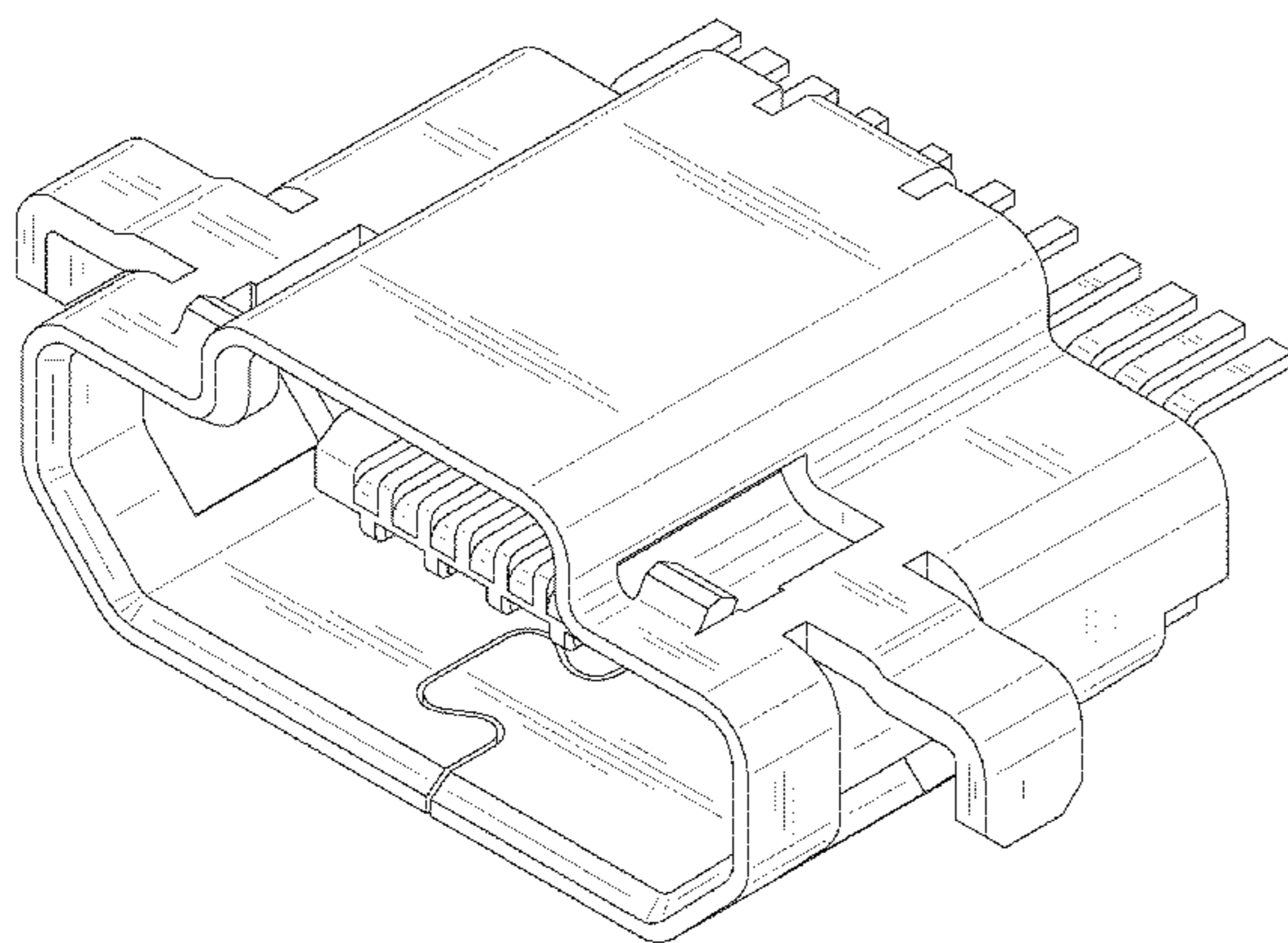
FIG. 7 is a right front perspective view showing the top thereof;

FIG. 8 is a left rear perspective view showing the bottom thereof;

FIG. 9 is a right front perspective view showing the bottom thereof; and,

FIG. 10 is a left rear perspective view showing the top thereof.

1 Claim, 10 Drawing Sheets



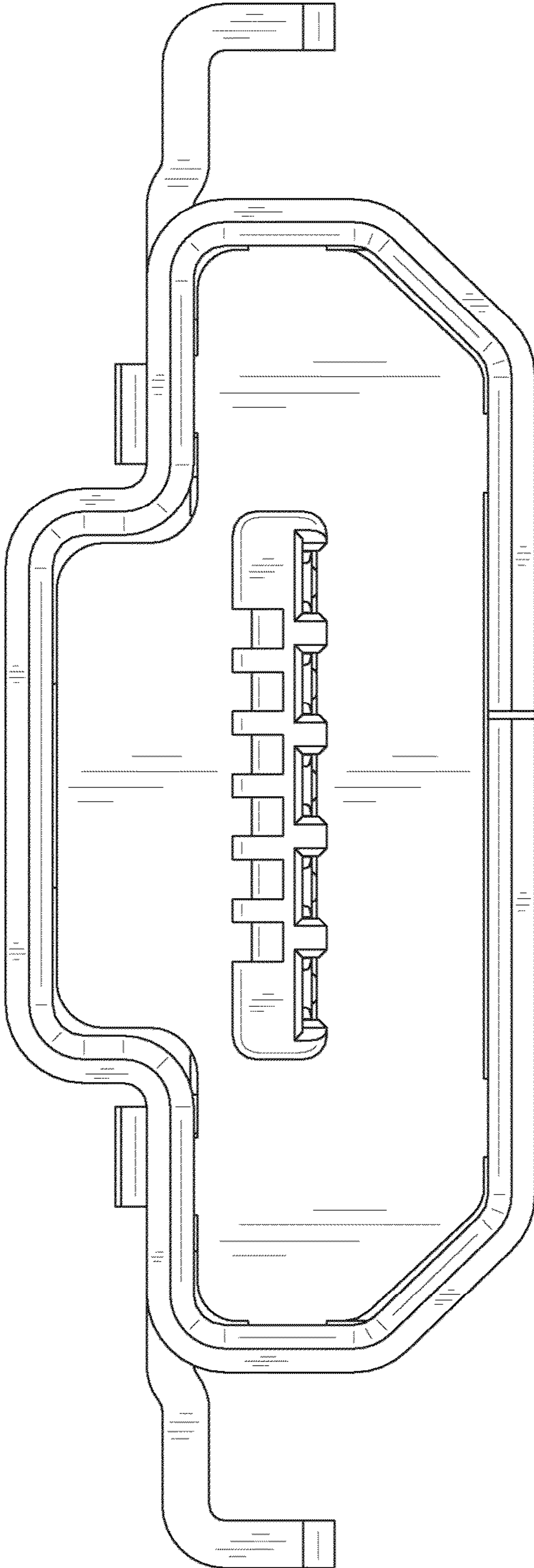


FIG.1

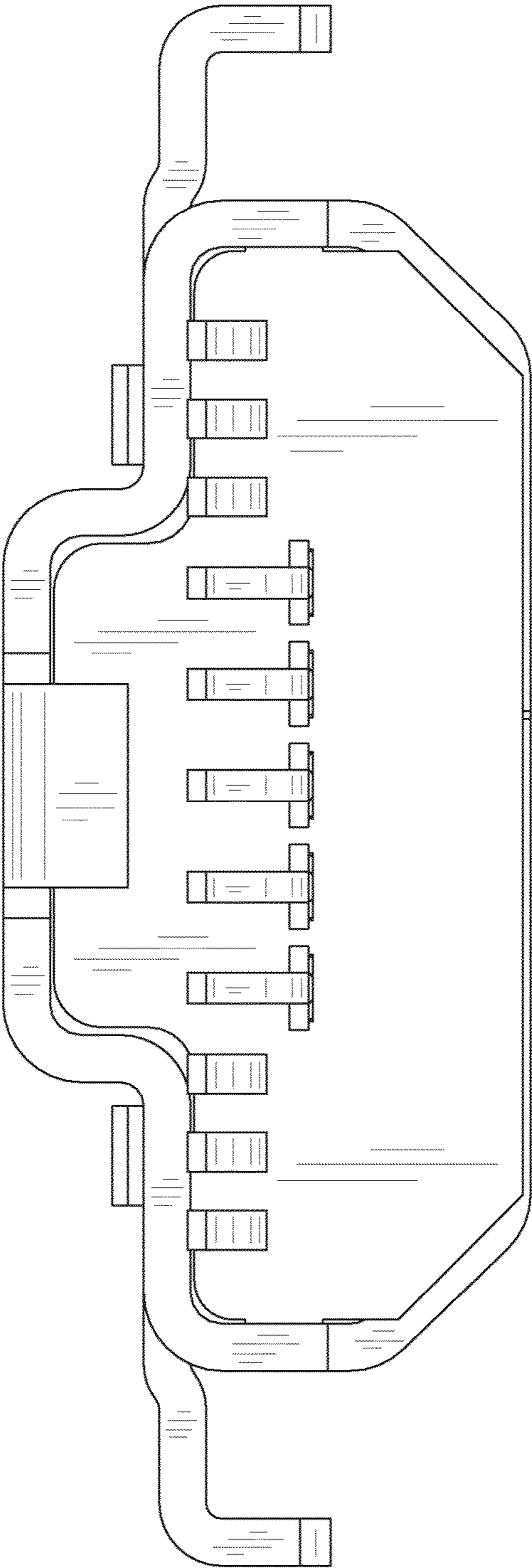


FIG.2

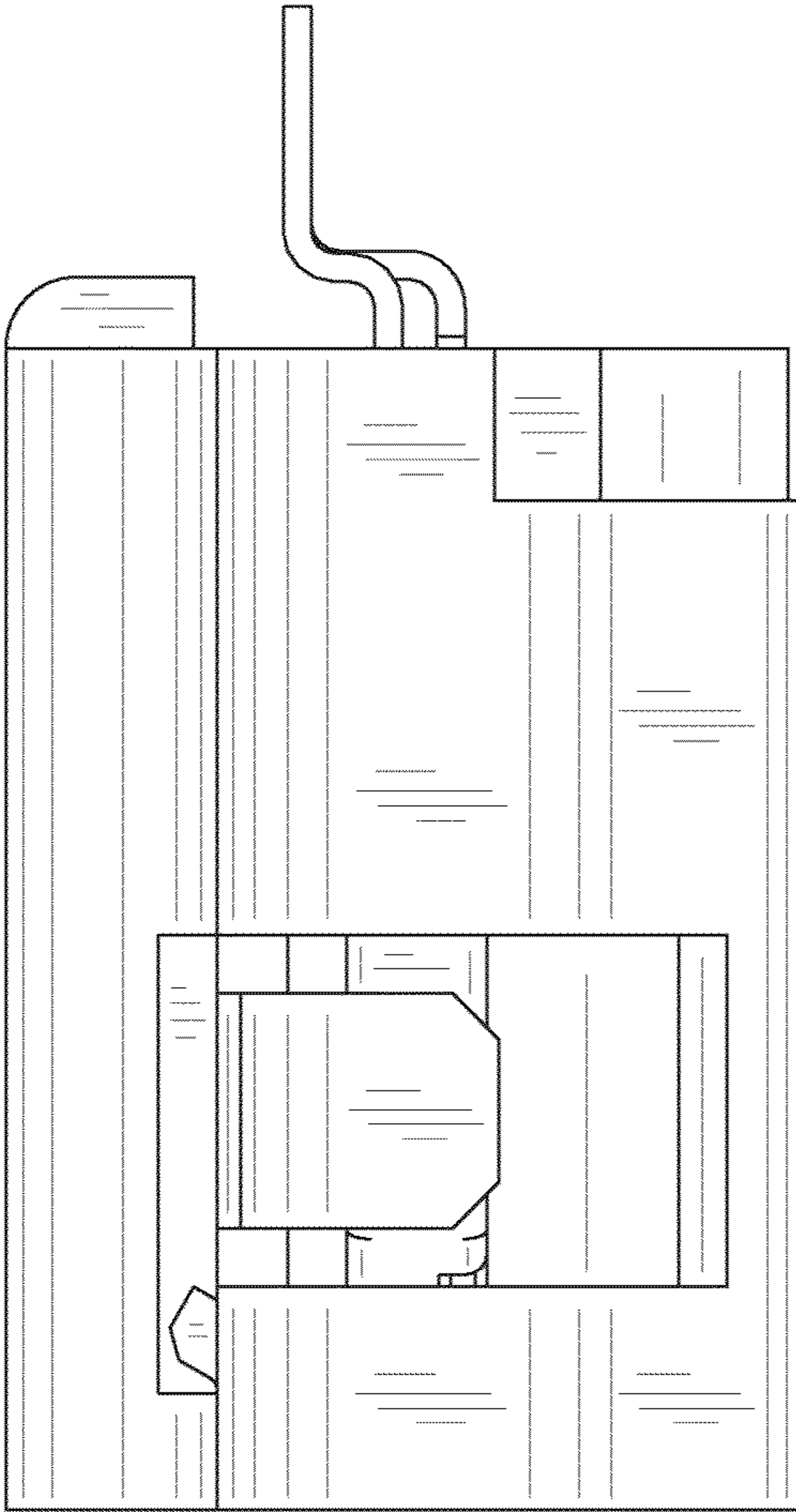


FIG.3

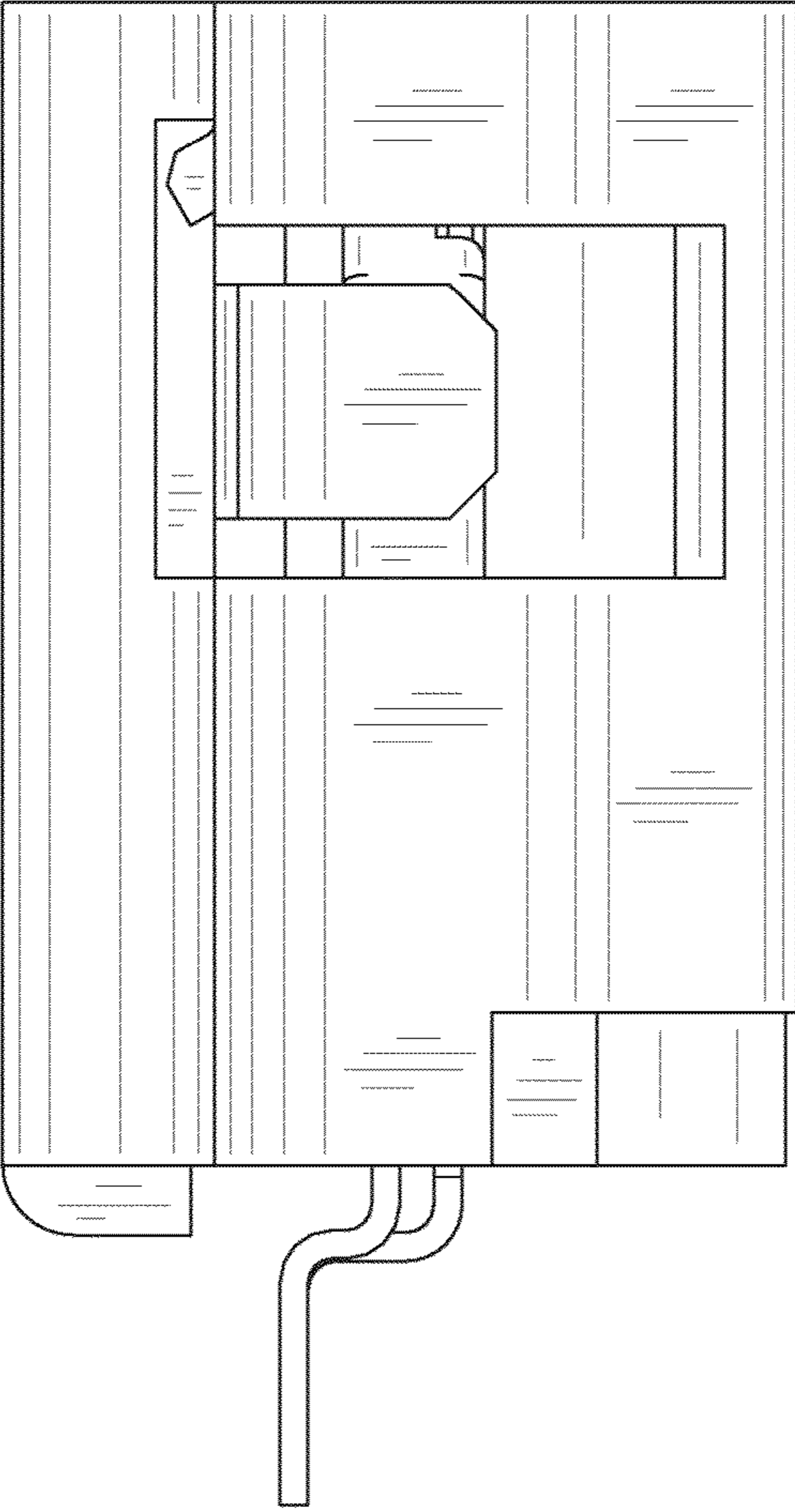


FIG.4

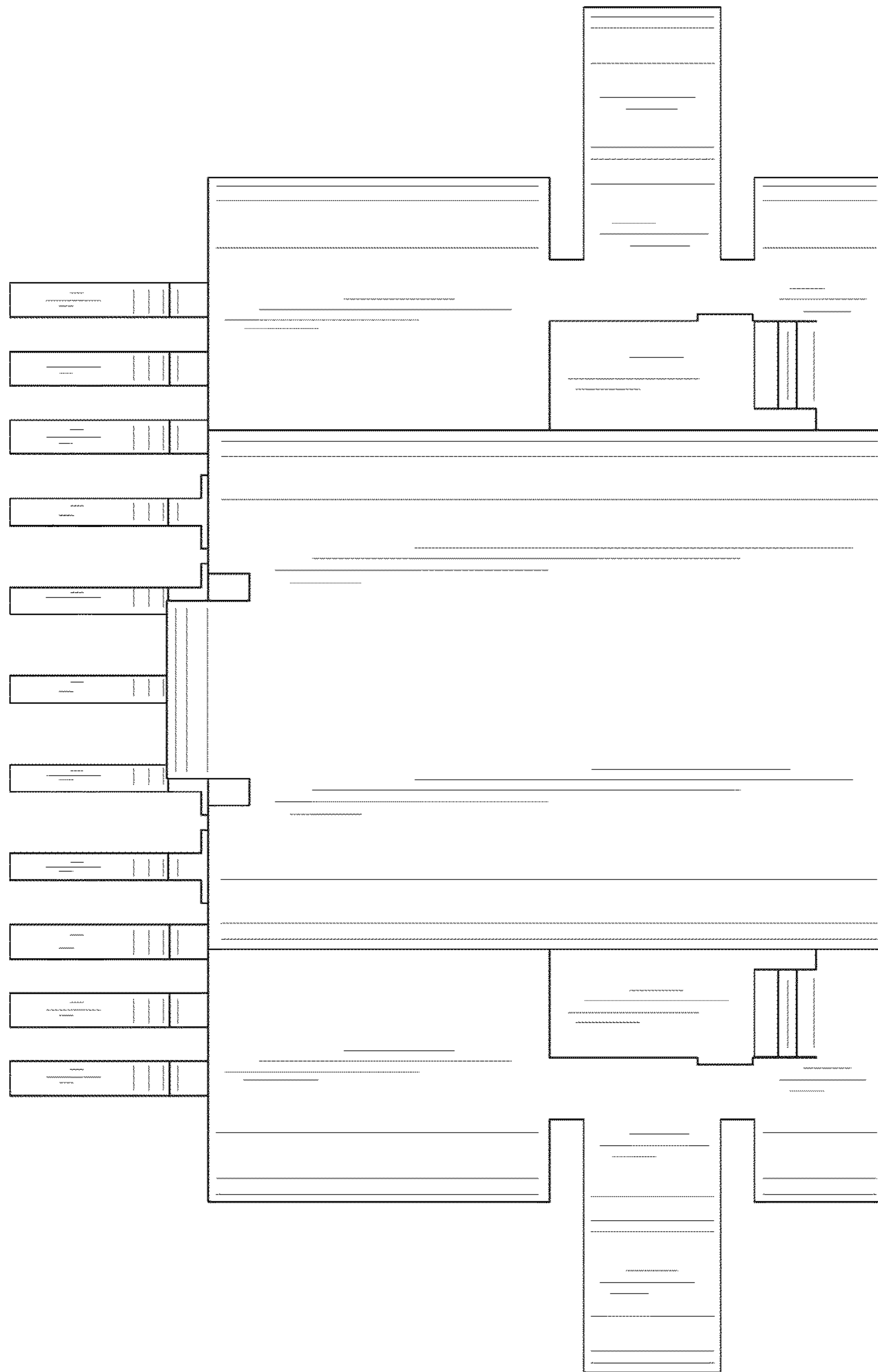


FIG.5

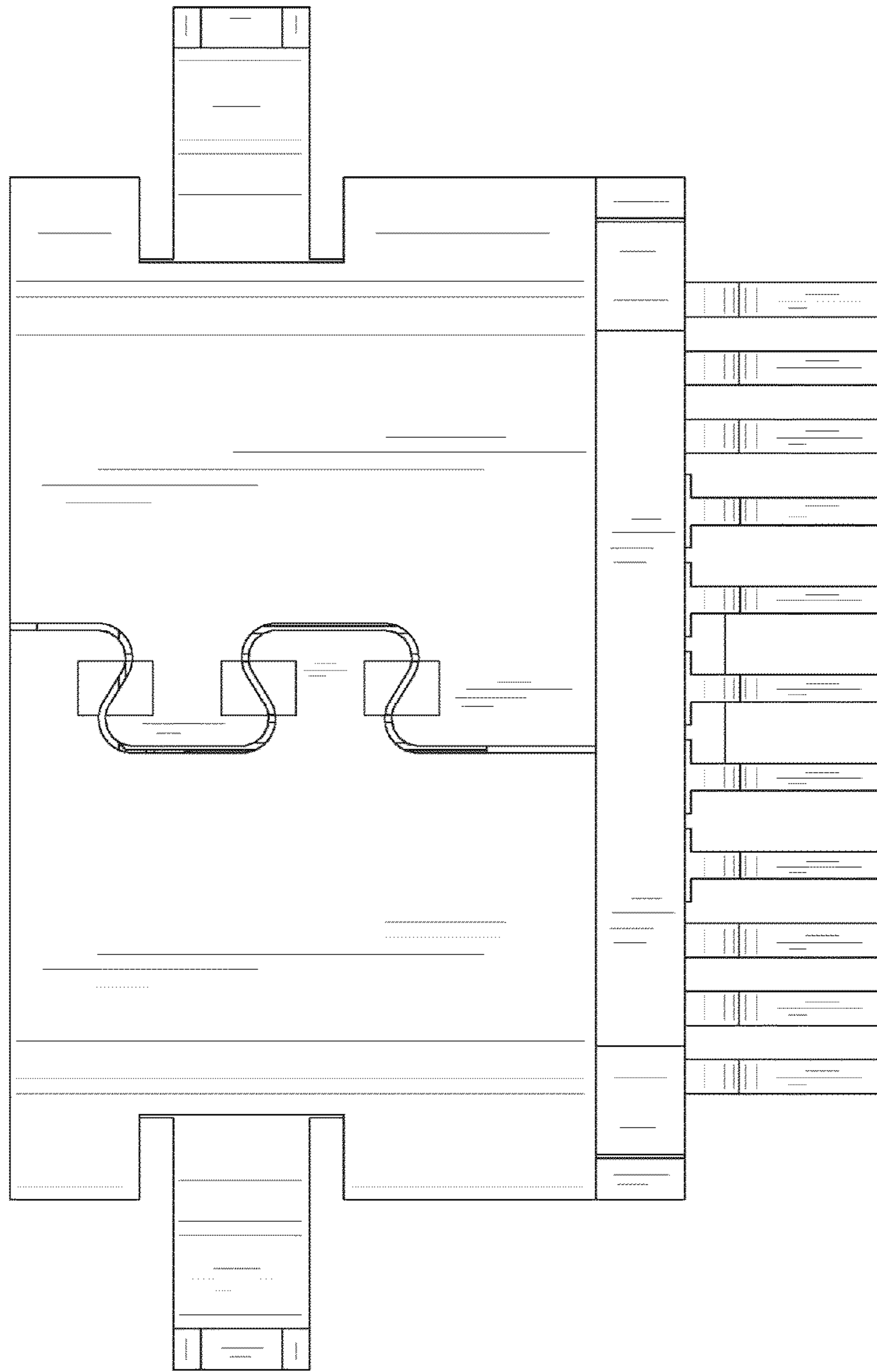


FIG. 6

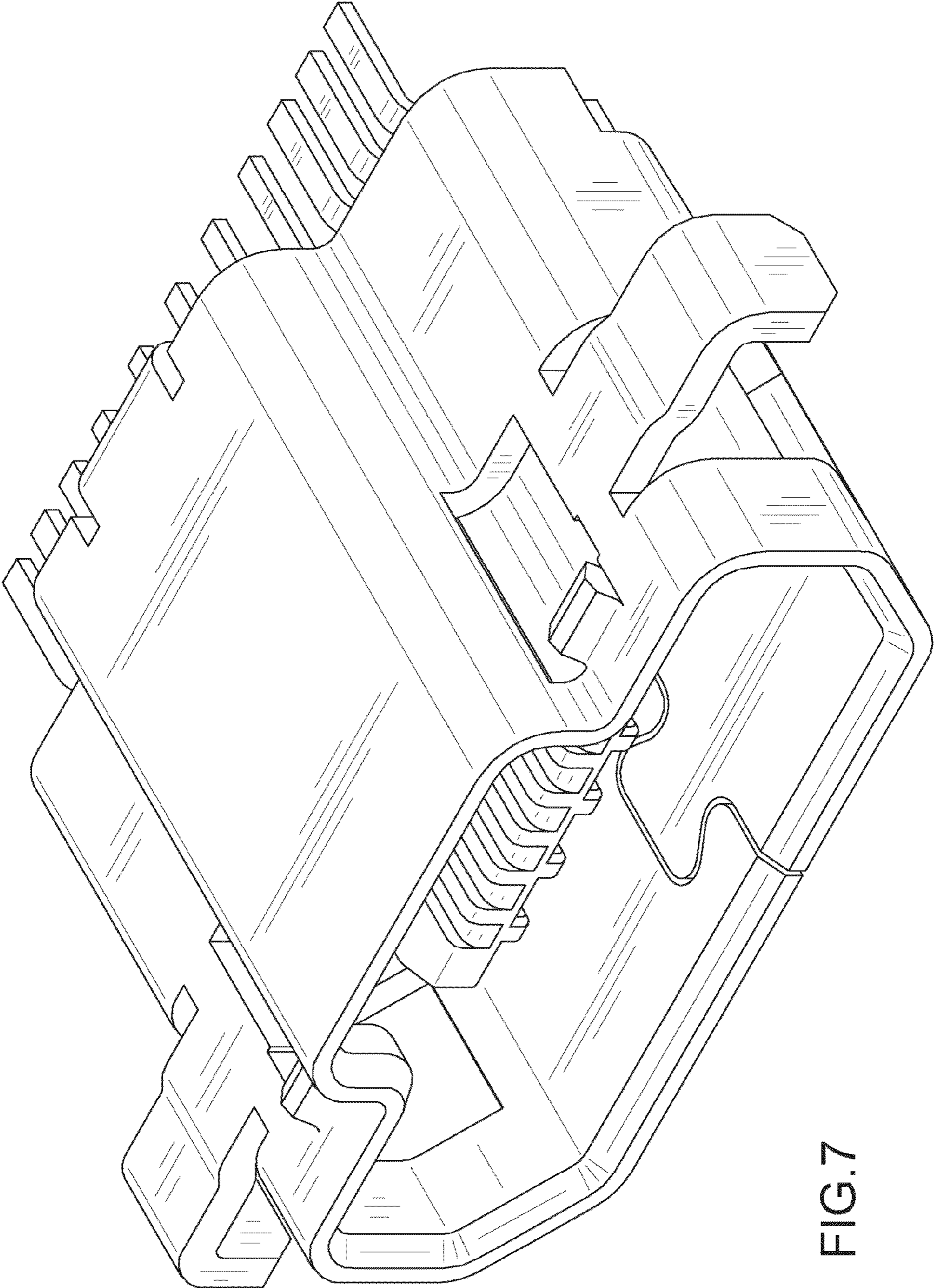


FIG.7

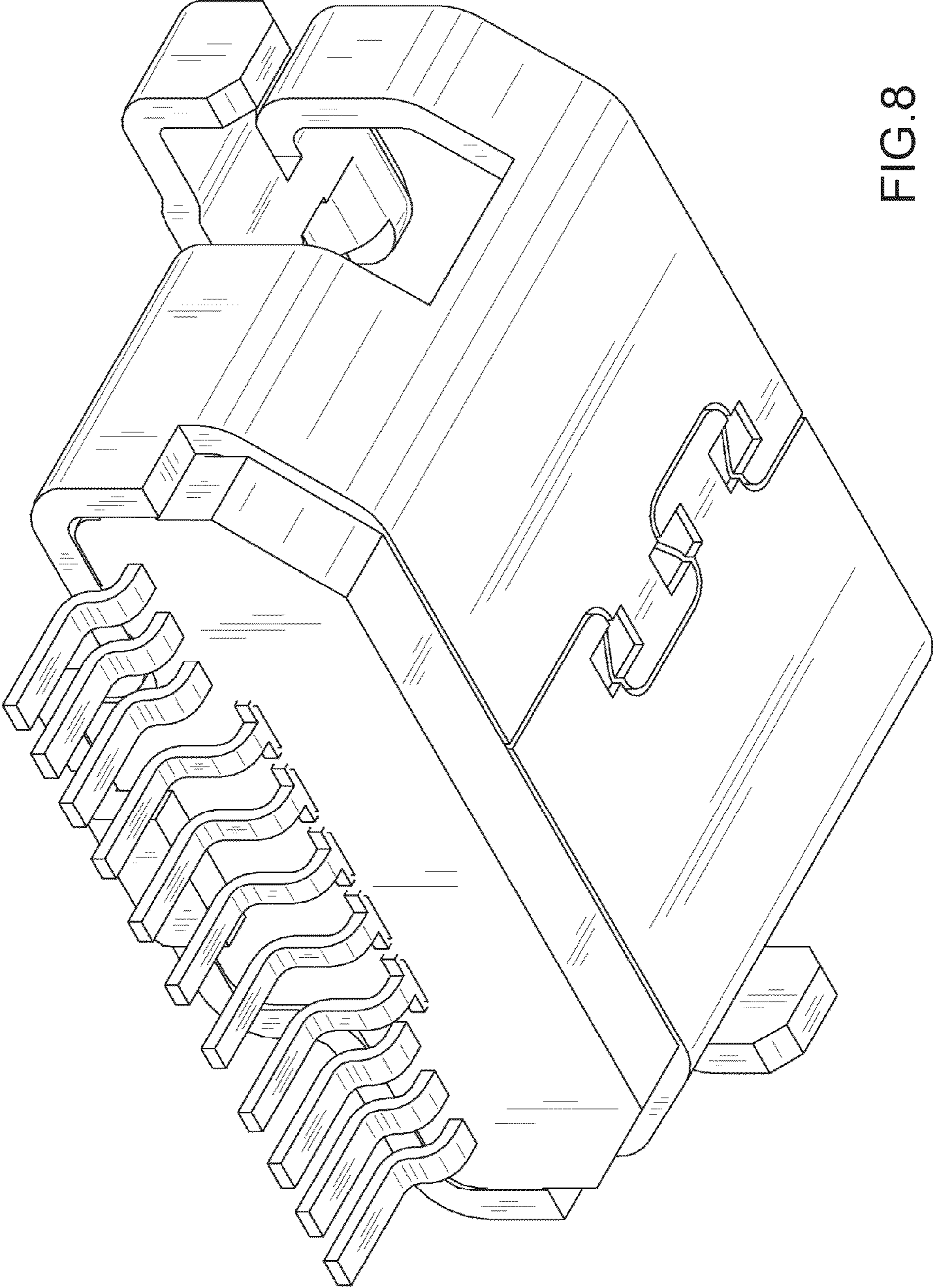


FIG.8

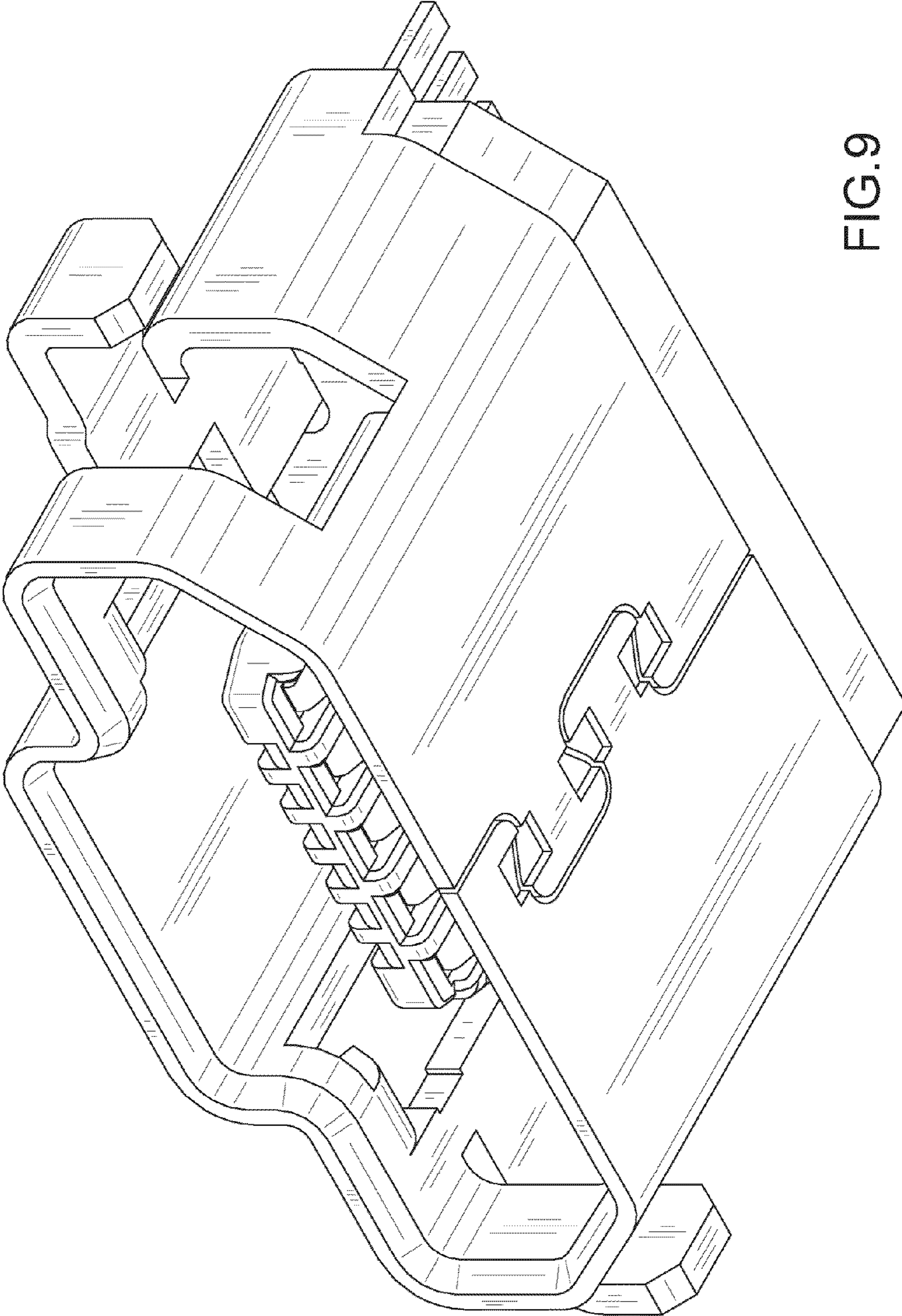


FIG.9

