



US00D706222S

(12) **United States Design Patent**  
**Yamaguchi**

(10) **Patent No.:** **US D706,222 S**  
(45) **Date of Patent:** **\*\* Jun. 3, 2014**

(54) **ELECTRICAL CONNECTOR**

(71) Applicant: **Japan Aviation Electronics Industry, Limited**, Tokyo (JP)

(72) Inventor: **Shuhei Yamaguchi**, Tokyo (JP)

(73) Assignee: **Japan Aviation Electronics Industry, Limited**, Tokyo (JP)

(\*\*) Term: **14 Years**

(21) Appl. No.: **29/444,519**

(22) Filed: **Jan. 31, 2013**

(30) **Foreign Application Priority Data**

Aug. 10, 2012 (JP) ..... 2012-019466  
Aug. 10, 2012 (JP) ..... 2012-019467  
Aug. 10, 2012 (JP) ..... 2012-019468

(51) **LOC (10) Cl.** ..... **13-03**

(52) **U.S. Cl.**  
USPC ..... **D13/147**

(58) **Field of Classification Search**  
USPC ..... D13/147, 154, 184, 199; 439/108, 180, 439/246, 374, 488, 527, 529, 530, 533, 439/540.1, 541.5, 607.01, 607.04, 607.05, 439/607.06, 607.17, 607.21, 607.23, 439/607.25, 607.34, 607.41, 607.53, 439/620.06, 620.21, 620.31, 660, 668, 676, 439/680, 883, 891, 892, 894

See application file for complete search history.

(56) **References Cited**

**U.S. PATENT DOCUMENTS**

D468,268 S \* 1/2003 Zhong ..... D13/147  
6,655,976 B1 \* 12/2003 Shipe et al. .... 439/328  
D499,379 S \* 12/2004 Zhu et al. .... D13/147  
D512,380 S \* 12/2005 Shimizu et al. .... D13/147  
D539,747 S \* 4/2007 Igarashi et al. .... D13/147  
D563,889 S \* 3/2008 Higeta et al. .... D13/147  
D602,870 S \* 10/2009 Wu et al. .... D13/147

2004/0248450 A1\* 12/2004 Masaki et al. .... 439/325

\* cited by examiner

*Primary Examiner* — Daniel Bui

(74) *Attorney, Agent, or Firm* — Westerman, Hattori, Daniels & Adrian, LLP

(57) **CLAIM**

The ornamental design for an electrical connector, as shown and described.

**DESCRIPTION**

FIG. 1 is a front elevational view of a first embodiment of the electrical connector, showing my new design;  
FIG. 2 is a rear elevational view thereof;  
FIG. 3 is a right side elevational view thereof;  
FIG. 4 is a left side elevational view thereof;  
FIG. 5 is a top plan view thereof;  
FIG. 6 is a bottom plan view thereof;  
FIG. 7 is a right front perspective view showing the top thereof;  
FIG. 8 is a left rear perspective view showing the bottom thereof;  
FIG. 9 is a right front perspective view showing the bottom thereof;  
FIG. 10 is a left rear perspective view showing the top thereof;  
FIG. 11 is a front elevational view of a second embodiment thereof;  
FIG. 12 is a rear elevational view thereof;  
FIG. 13 is a right side elevational view thereof;  
FIG. 14 is a left side elevational view thereof;  
FIG. 15 is a top plan view thereof;  
FIG. 16 is a bottom plan view thereof;  
FIG. 17 is a right front perspective view showing the top thereof;  
FIG. 18 is a left rear perspective view showing the bottom thereof;  
FIG. 19 is a right front perspective view showing the bottom thereof;  
FIG. 20 is a left rear perspective view showing the top thereof;  
FIG. 21 is a front elevational view of a third embodiment thereof;  
FIG. 22 is a rear elevational view thereof;

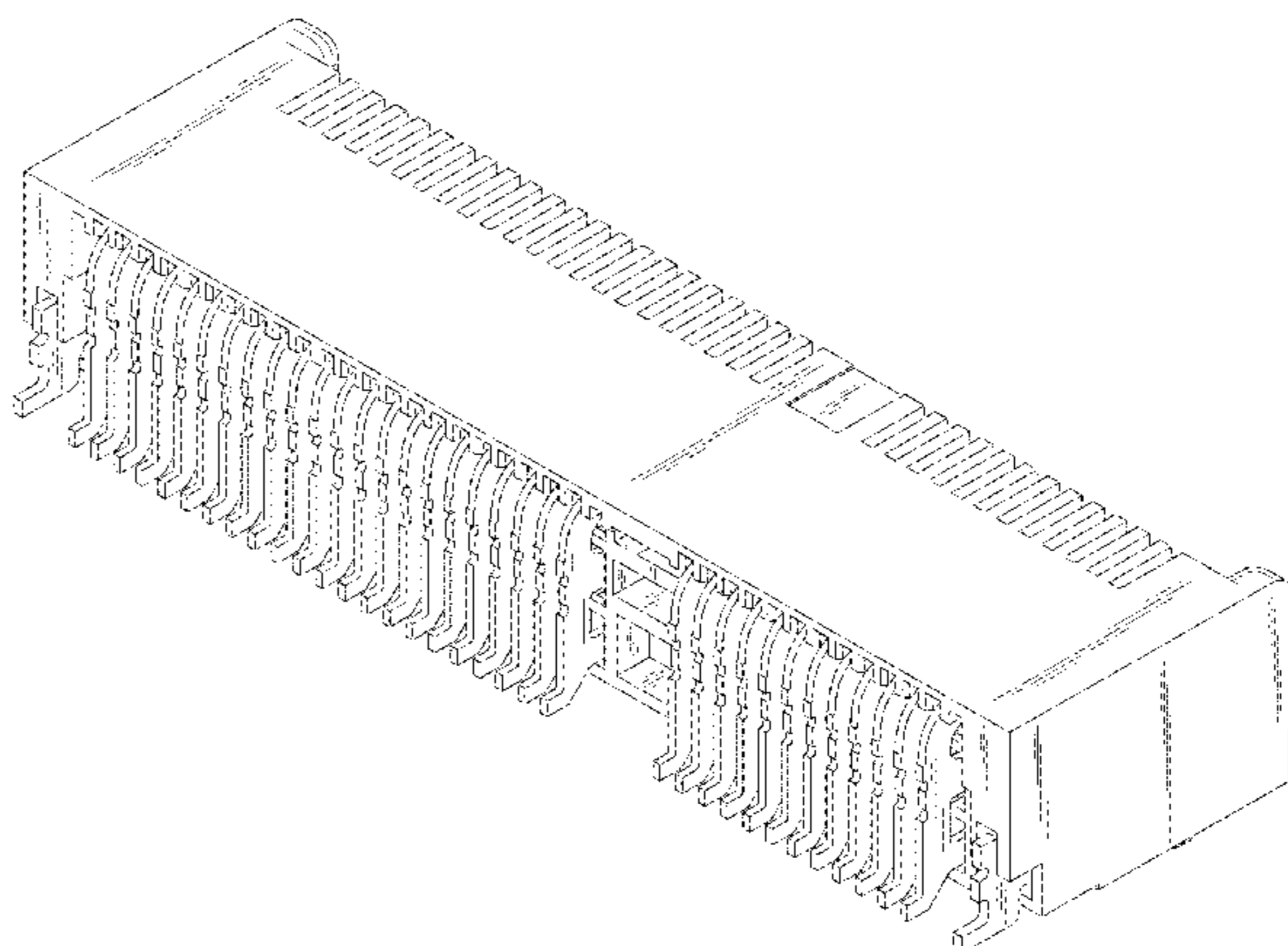
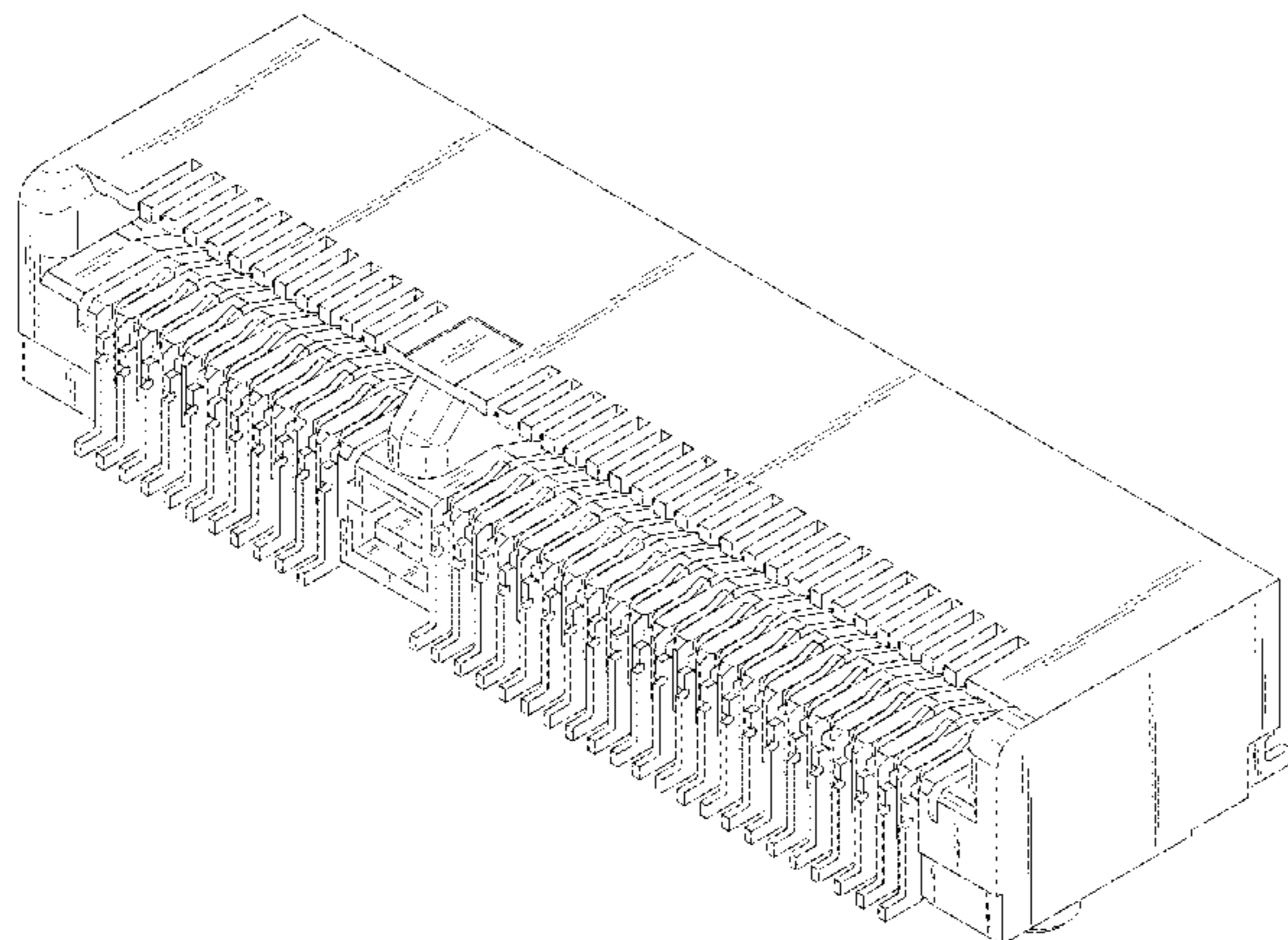


FIG. **23** is a right side elevational view thereof;  
FIG. **24** is a left side elevational view thereof;  
FIG. **25** is a top plan view thereof;  
FIG. **26** is a bottom plan view thereof;  
FIG. **27** is a right front perspective view showing the top thereof;  
FIG. **28** is a left rear perspective view showing the bottom thereof;

FIG. **29** is a right front perspective view showing the bottom thereof; and,  
FIG. **30** is a left rear perspective view showing the top thereof.  
The broken lines in the figure drawing views are included to illustrate unclaimed features and form no part of the claimed design.

**1 Claim, 30 Drawing Sheets**

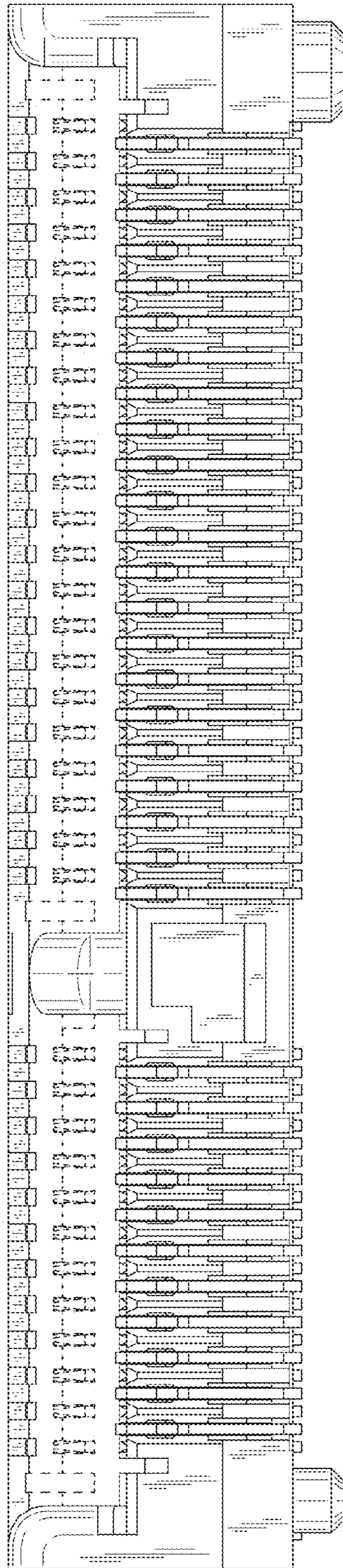


FIG. 1

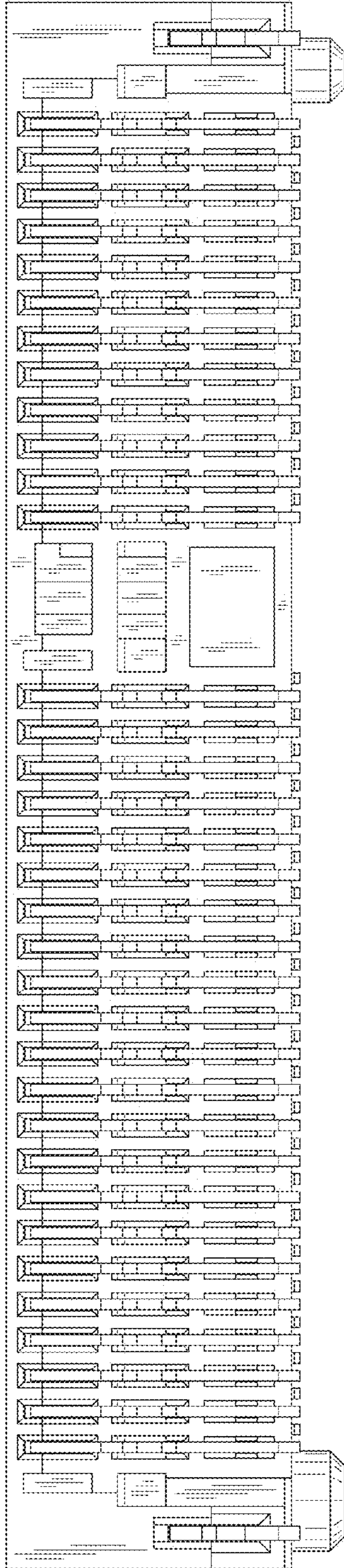


FIG.2

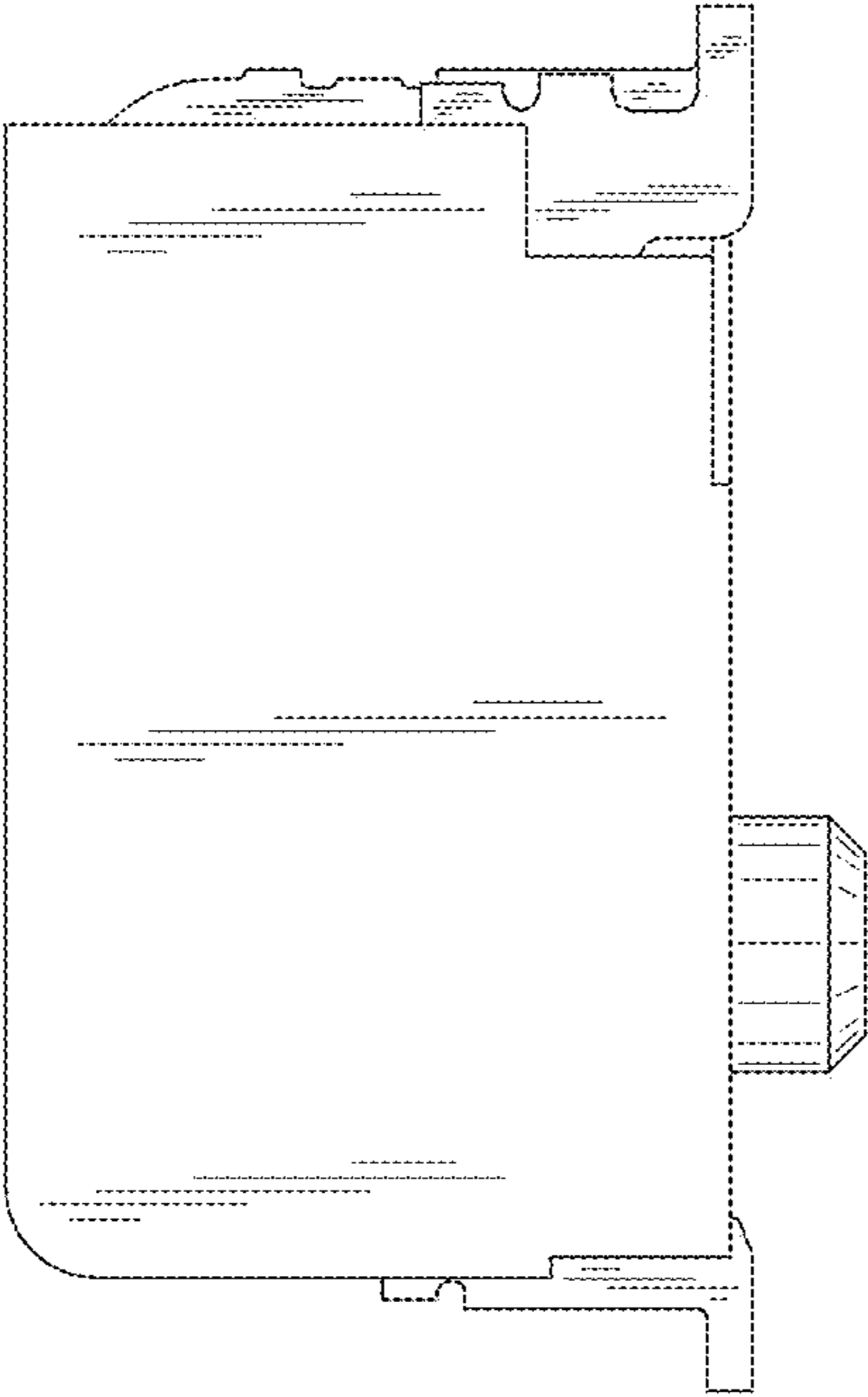


FIG. 3

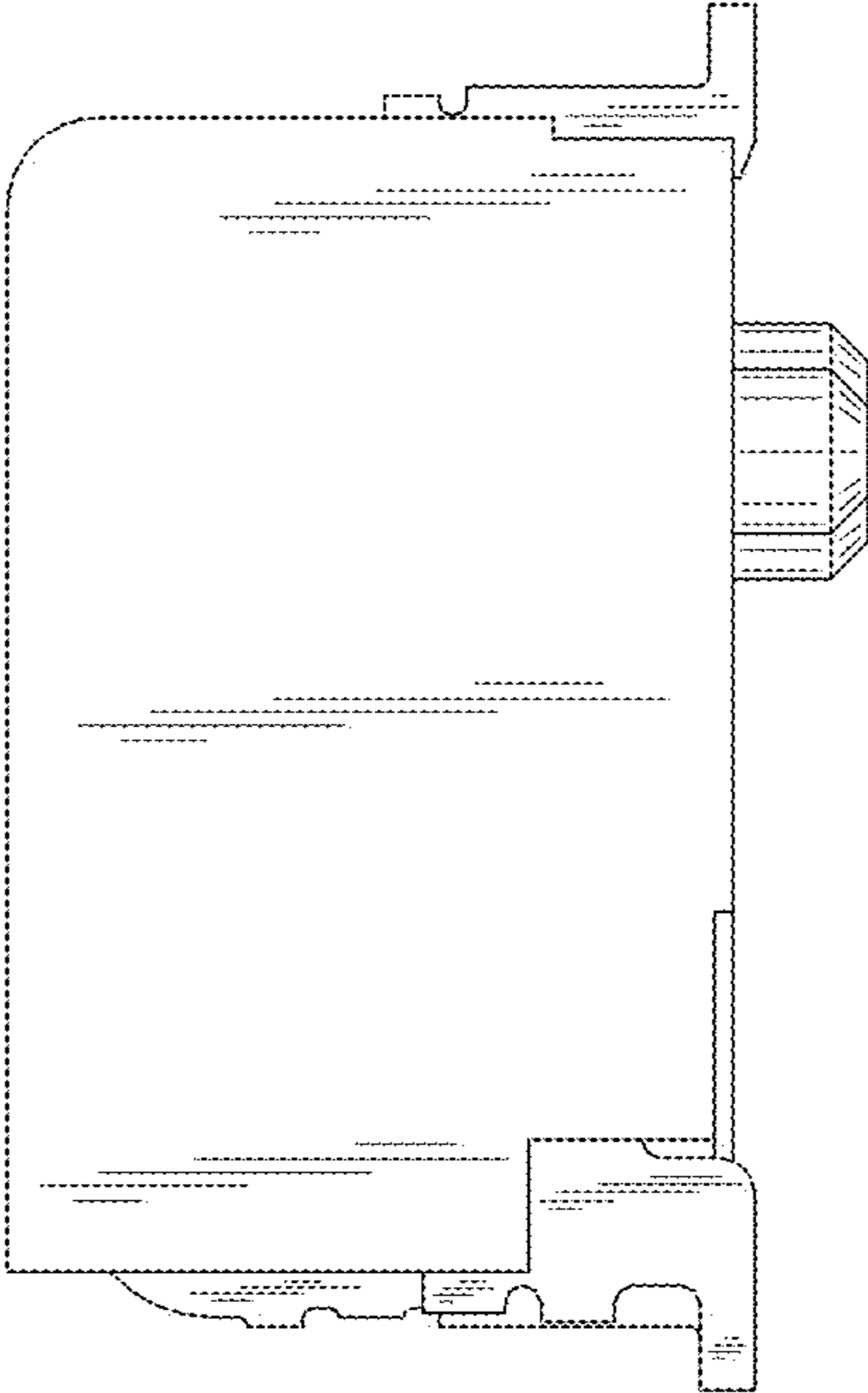


FIG.4

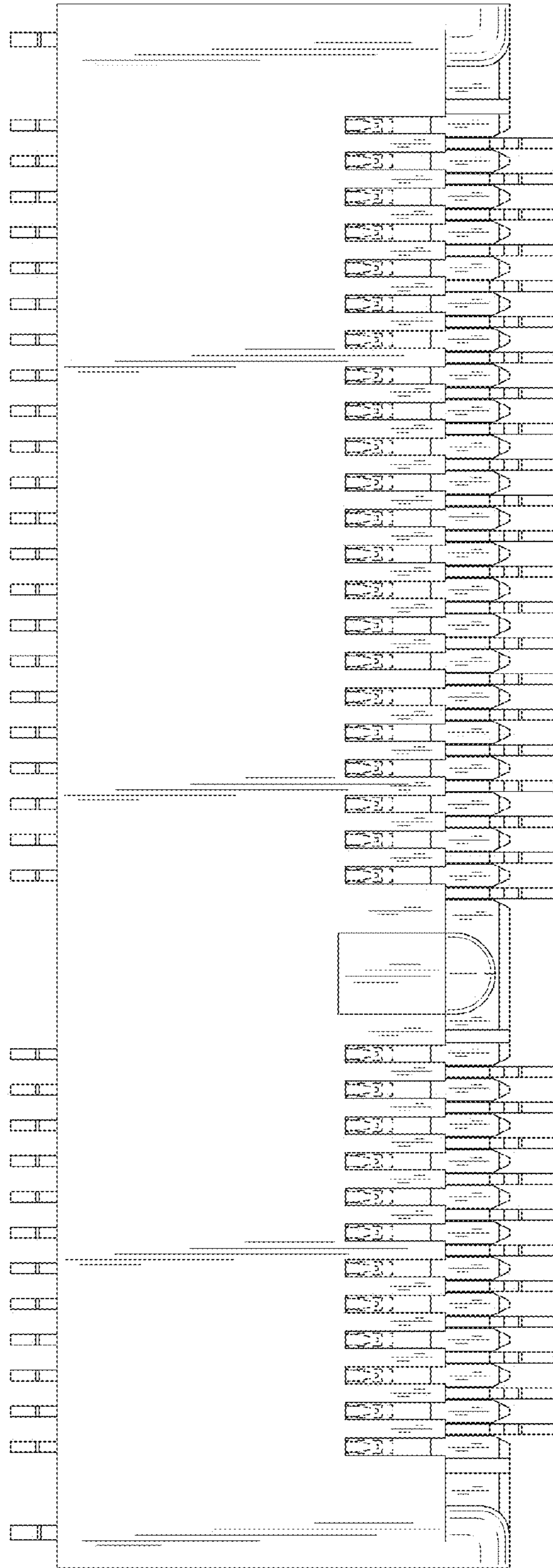


FIG. 5

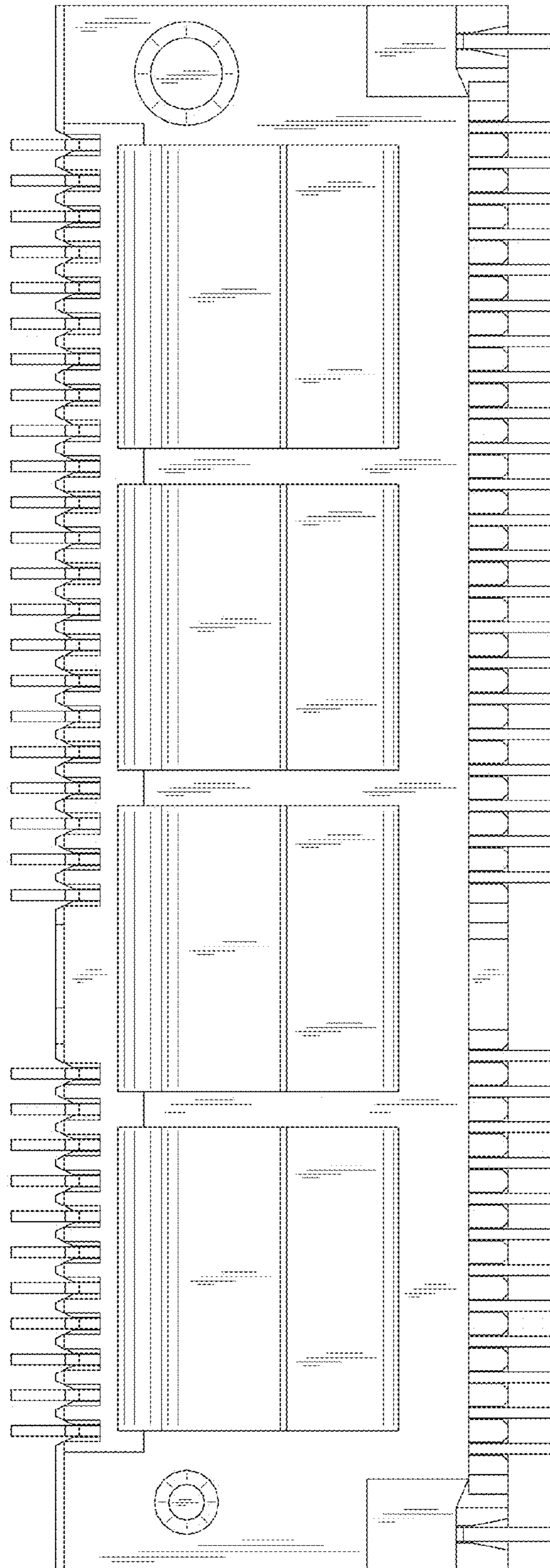


FIG.6



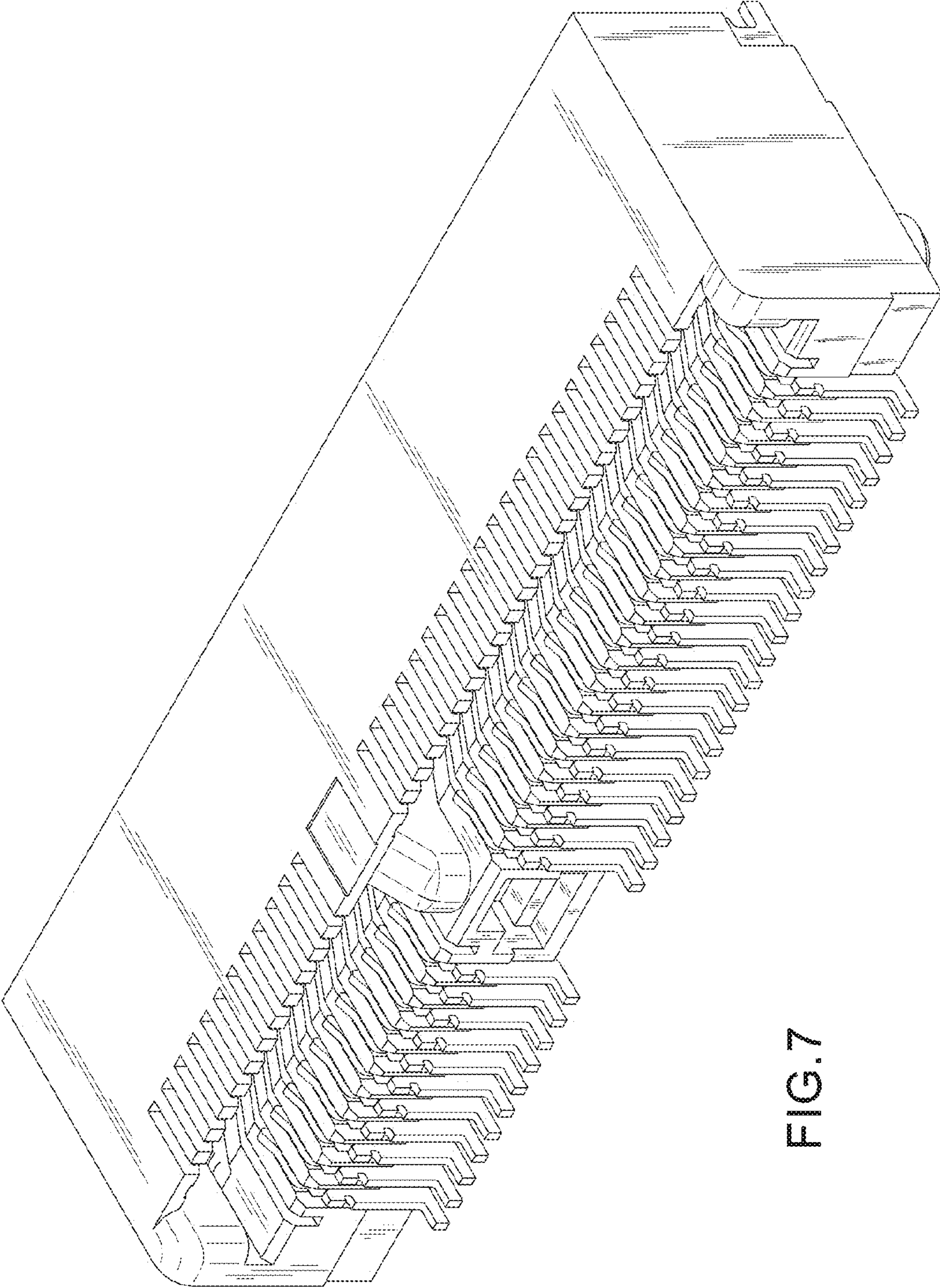


FIG. 7

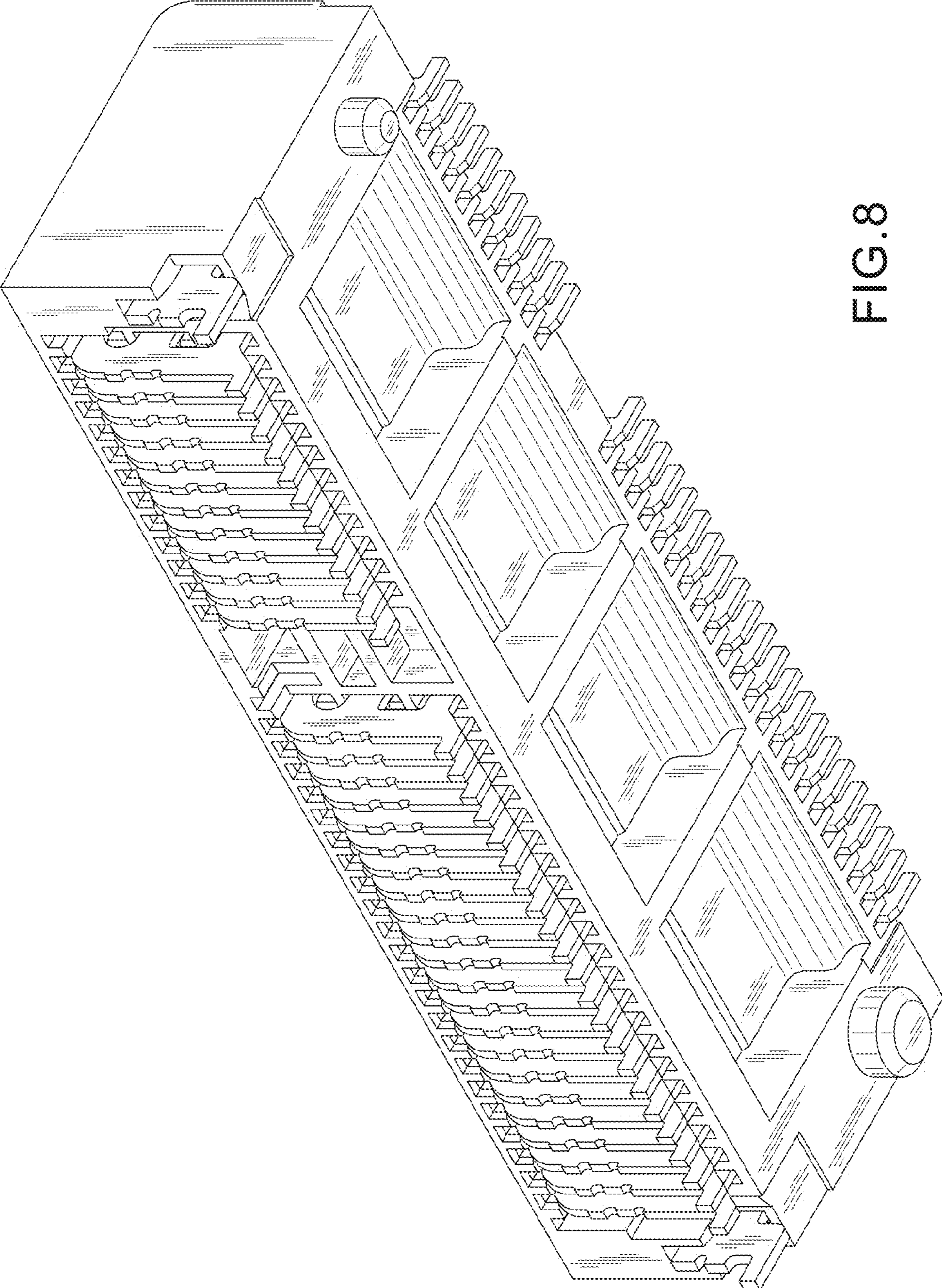


FIG. 8

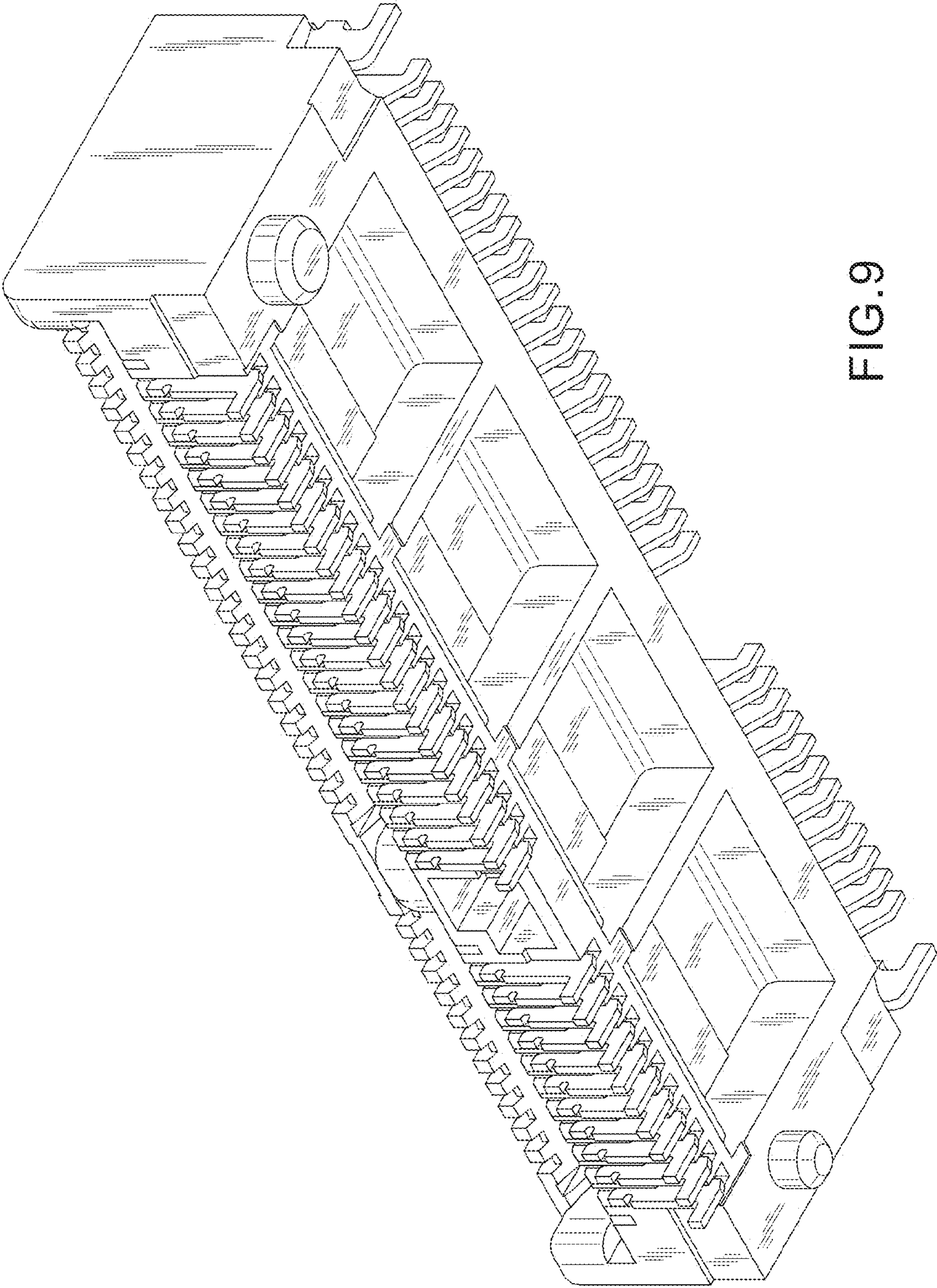


FIG. 9

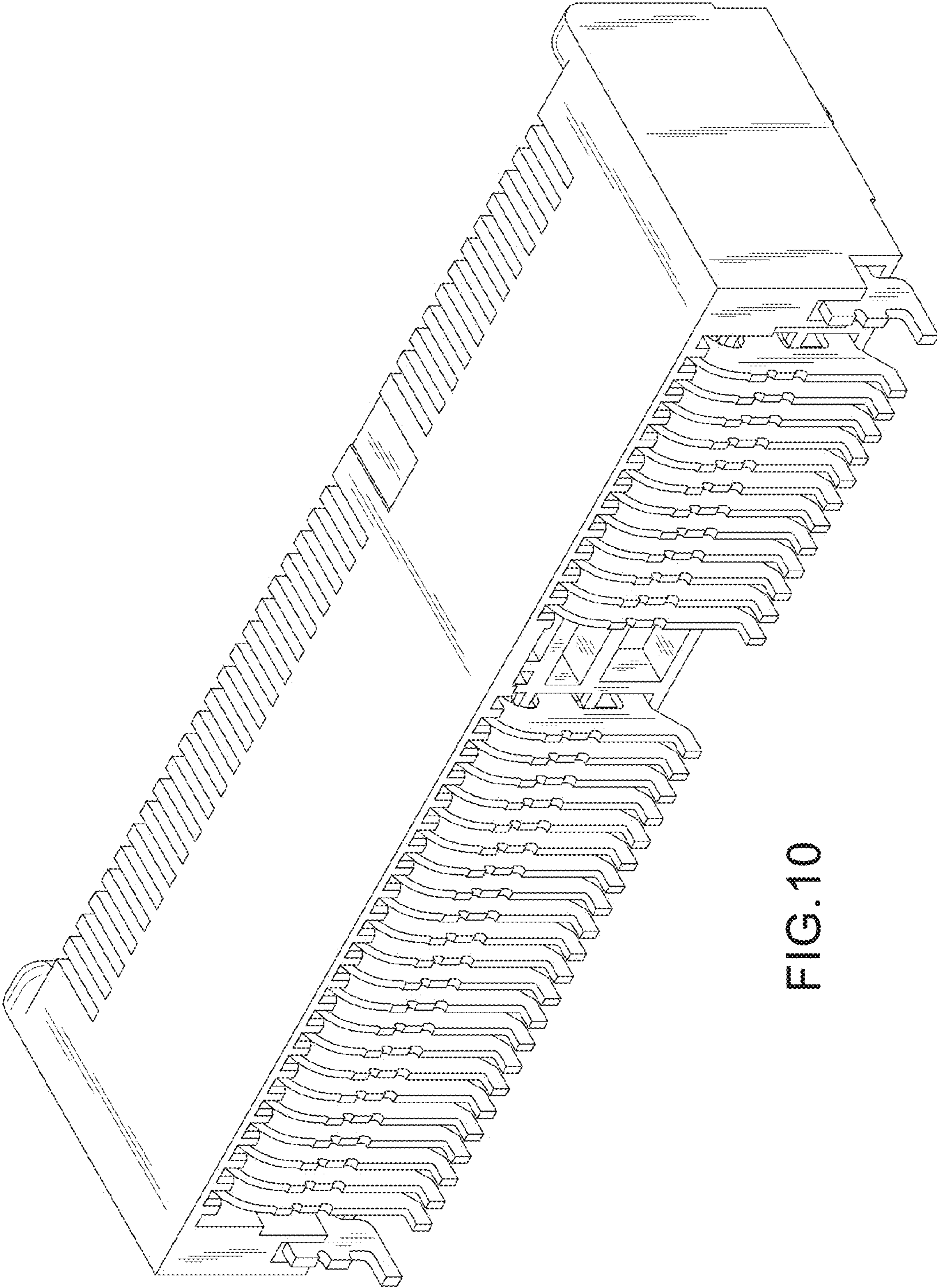


FIG. 10

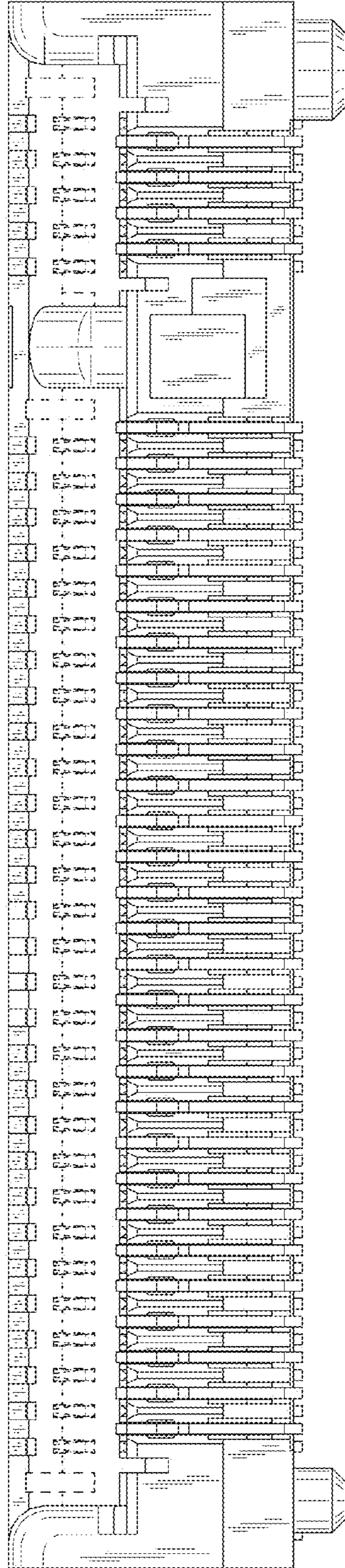


FIG. 11

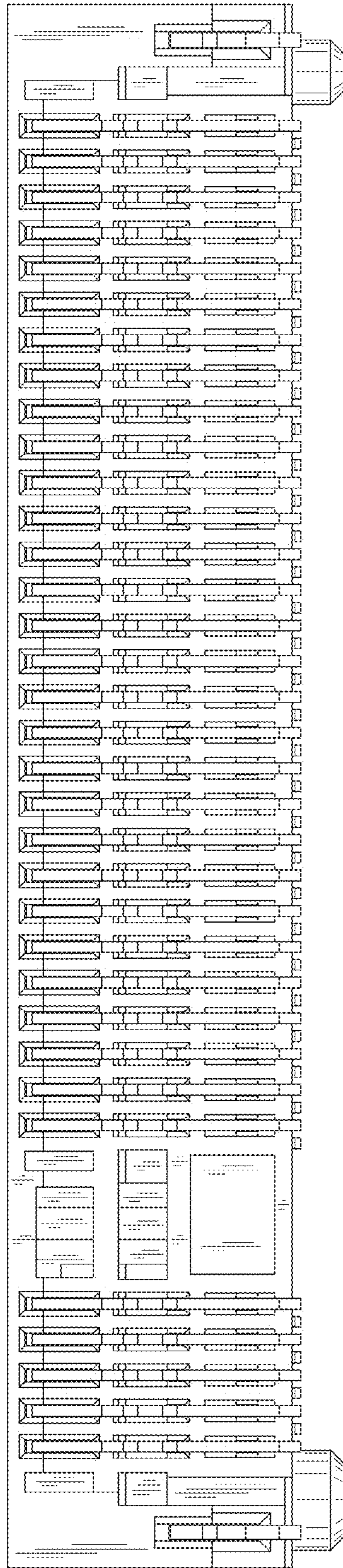


FIG.12

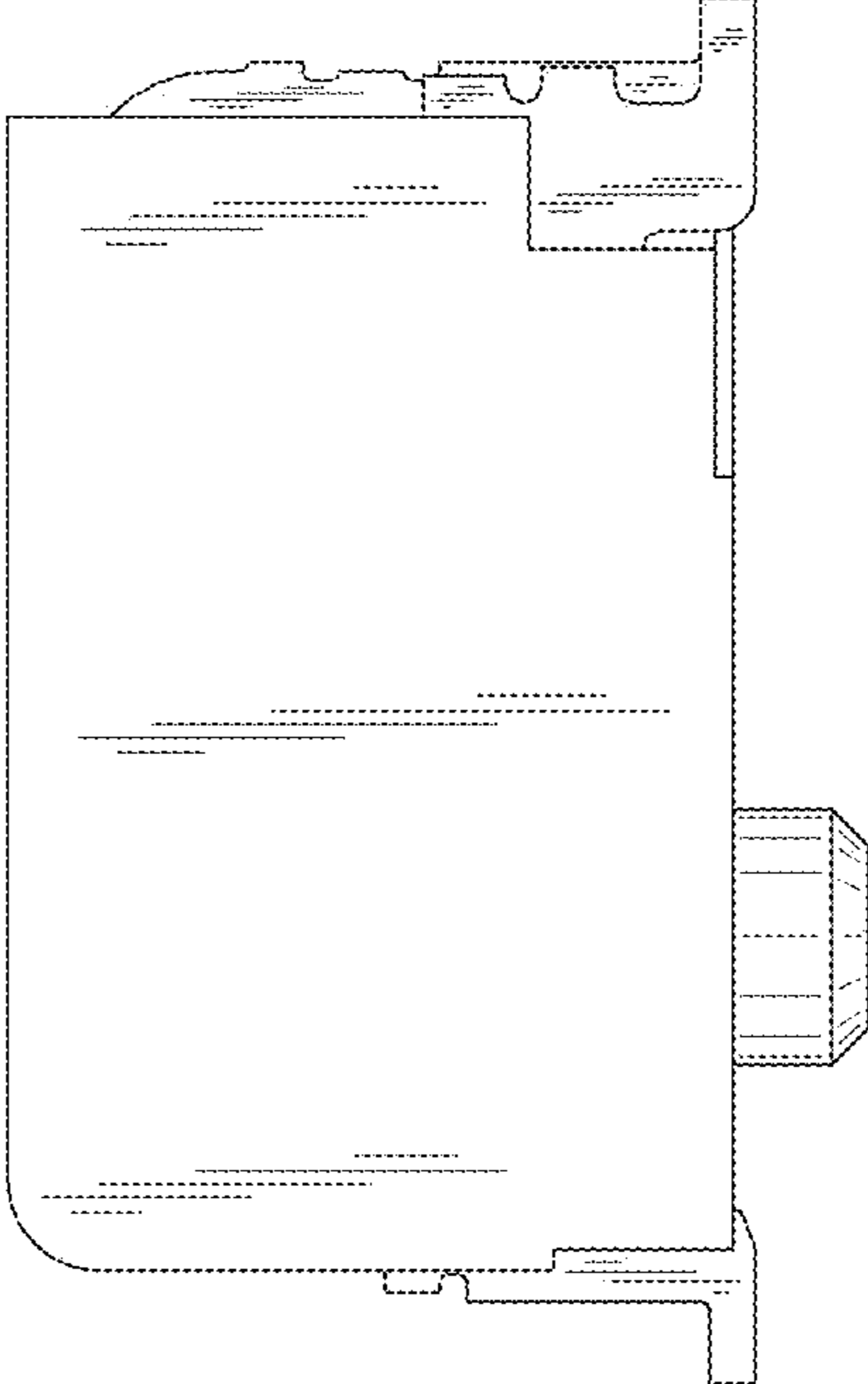


FIG.13

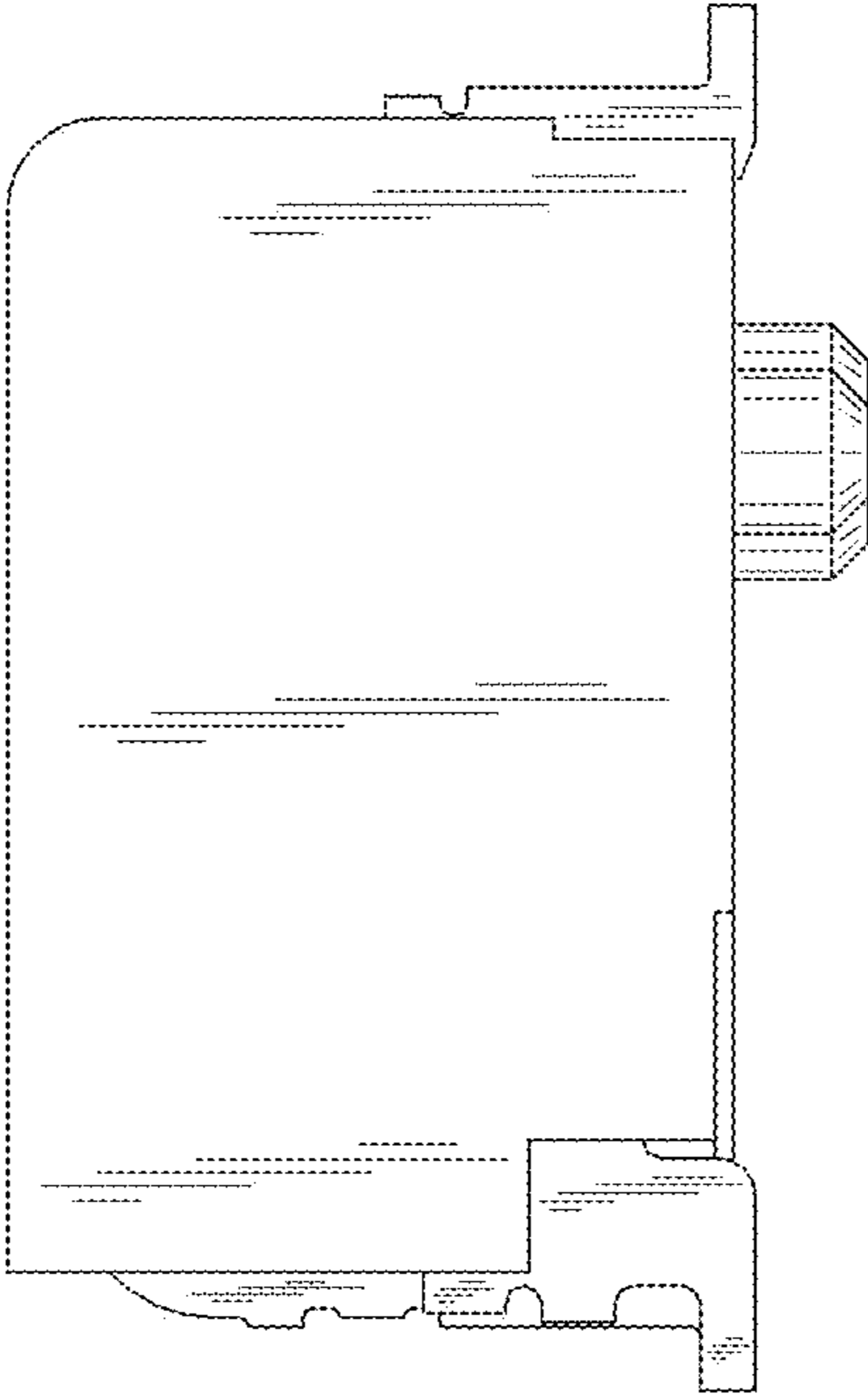


FIG.14



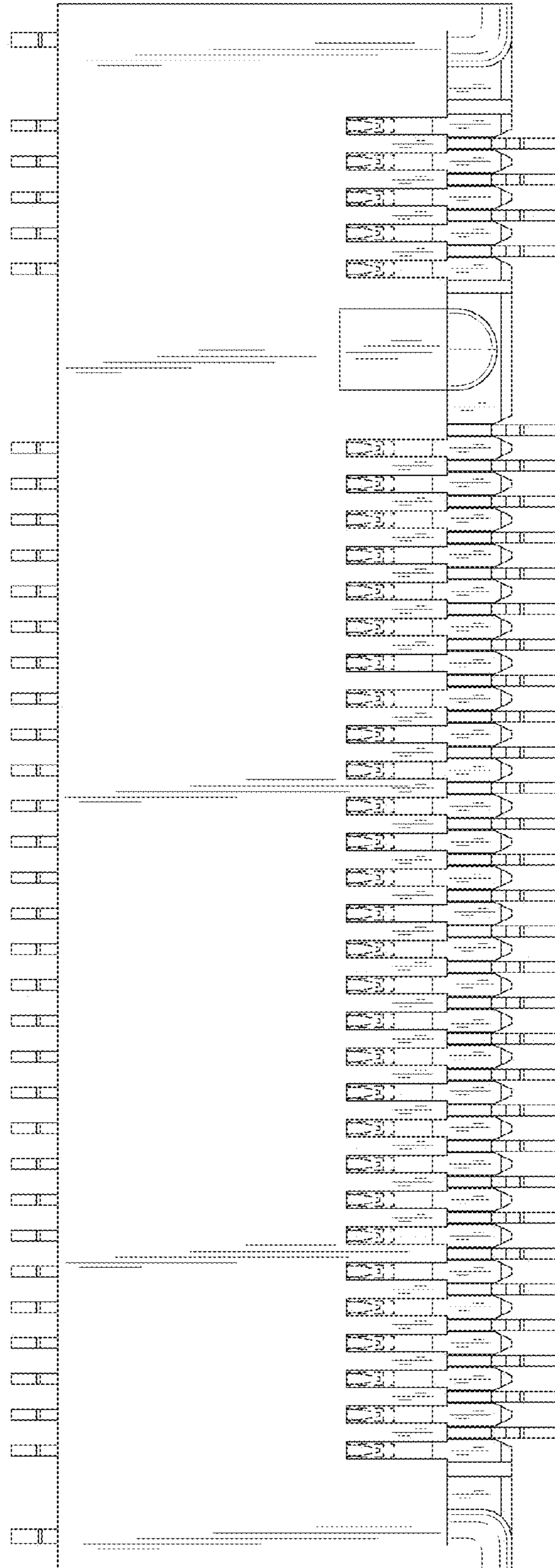


FIG.15

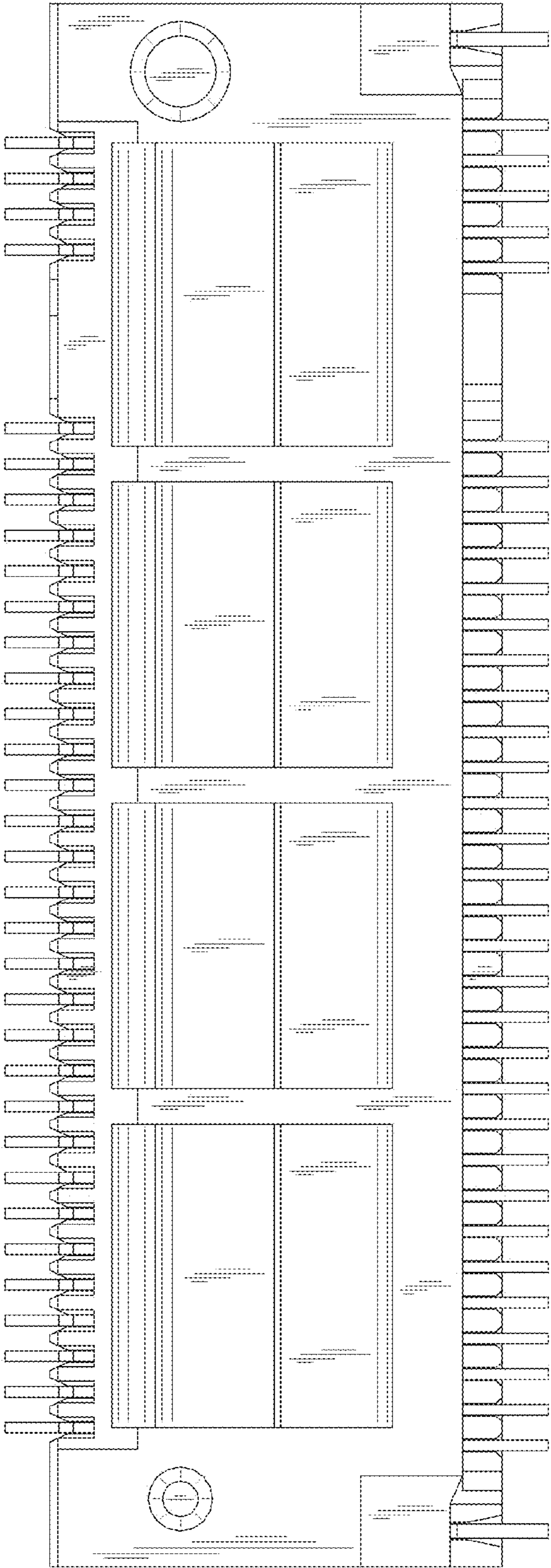


FIG. 16

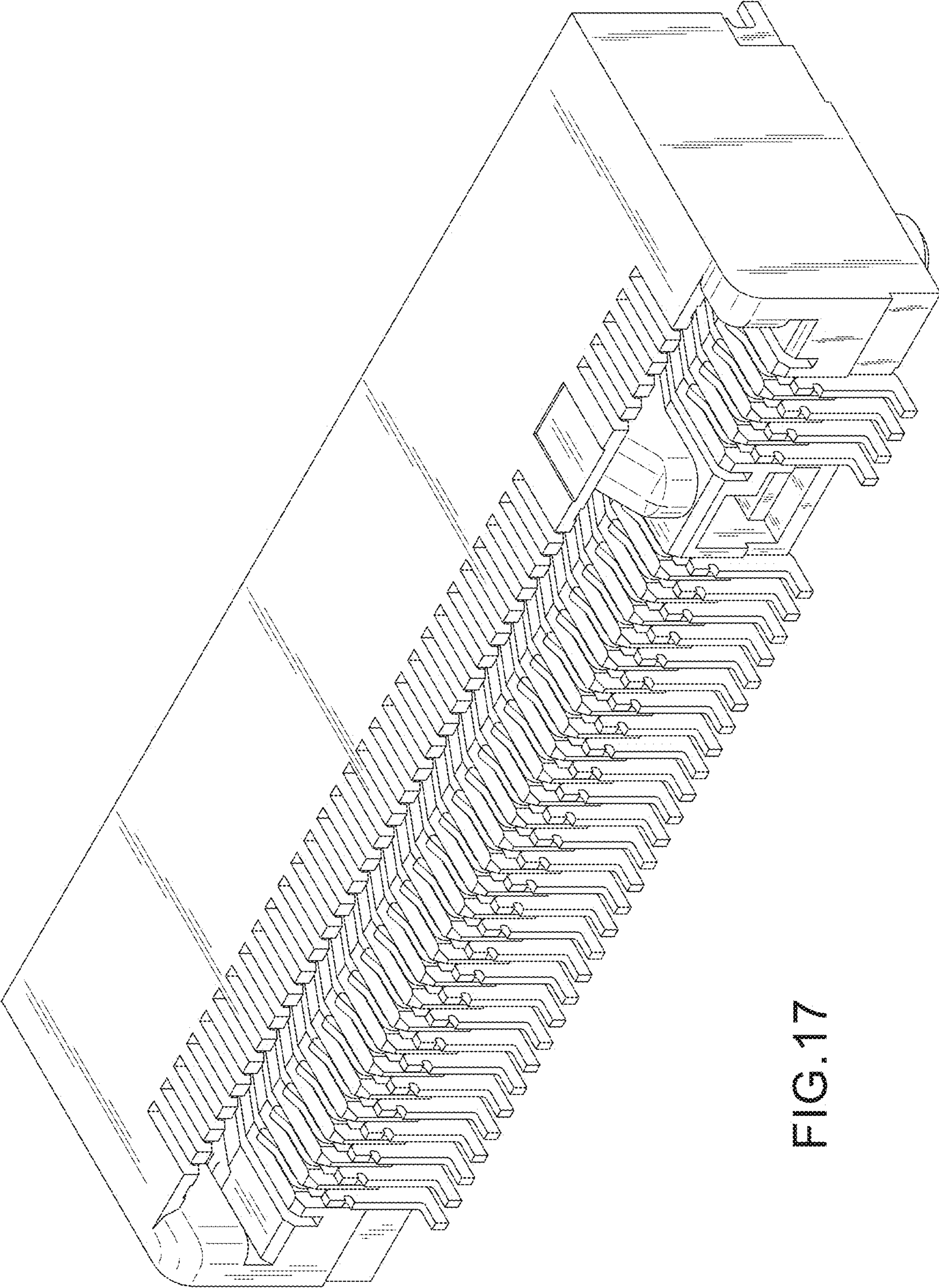


FIG.17

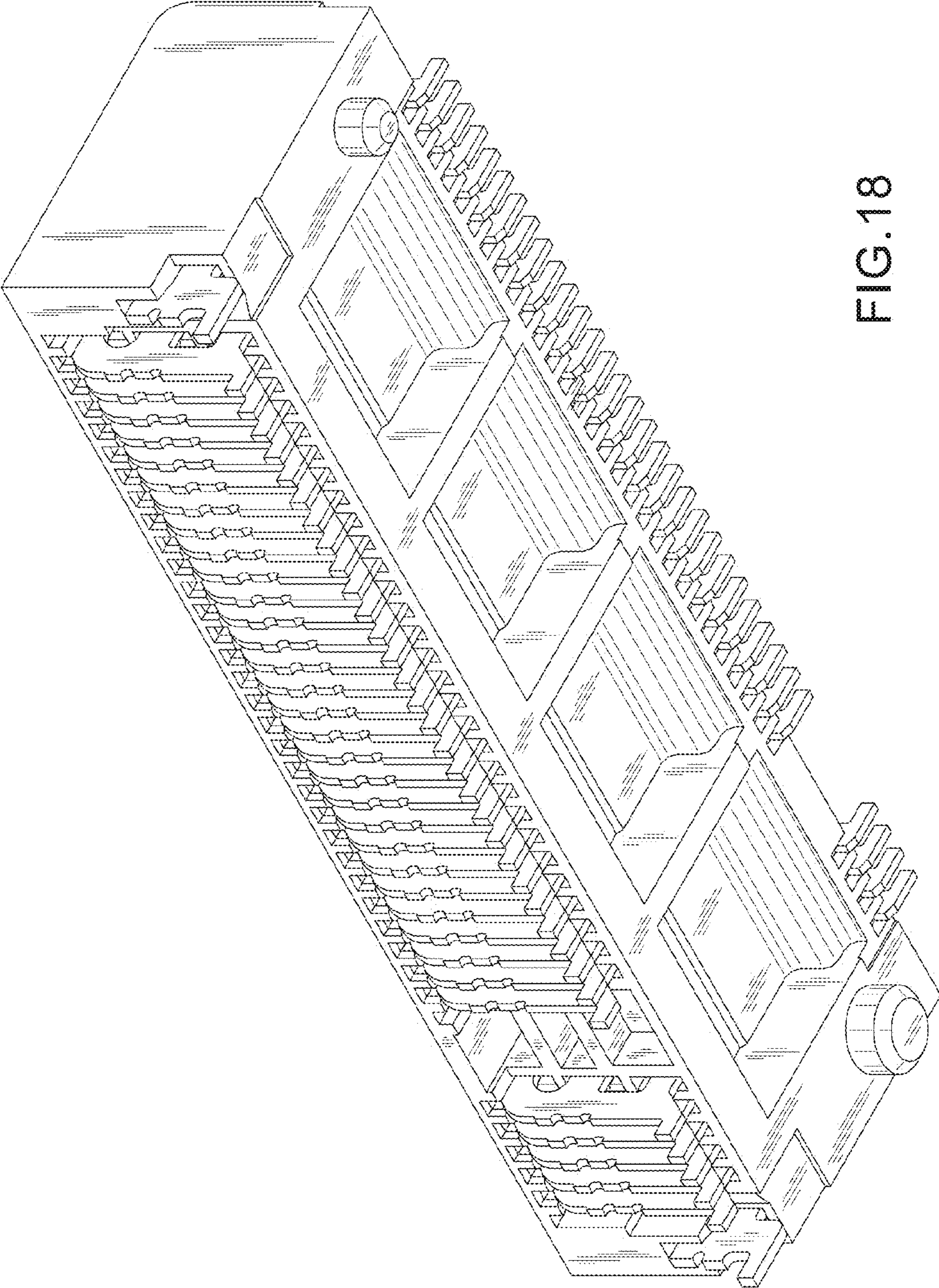


FIG.18

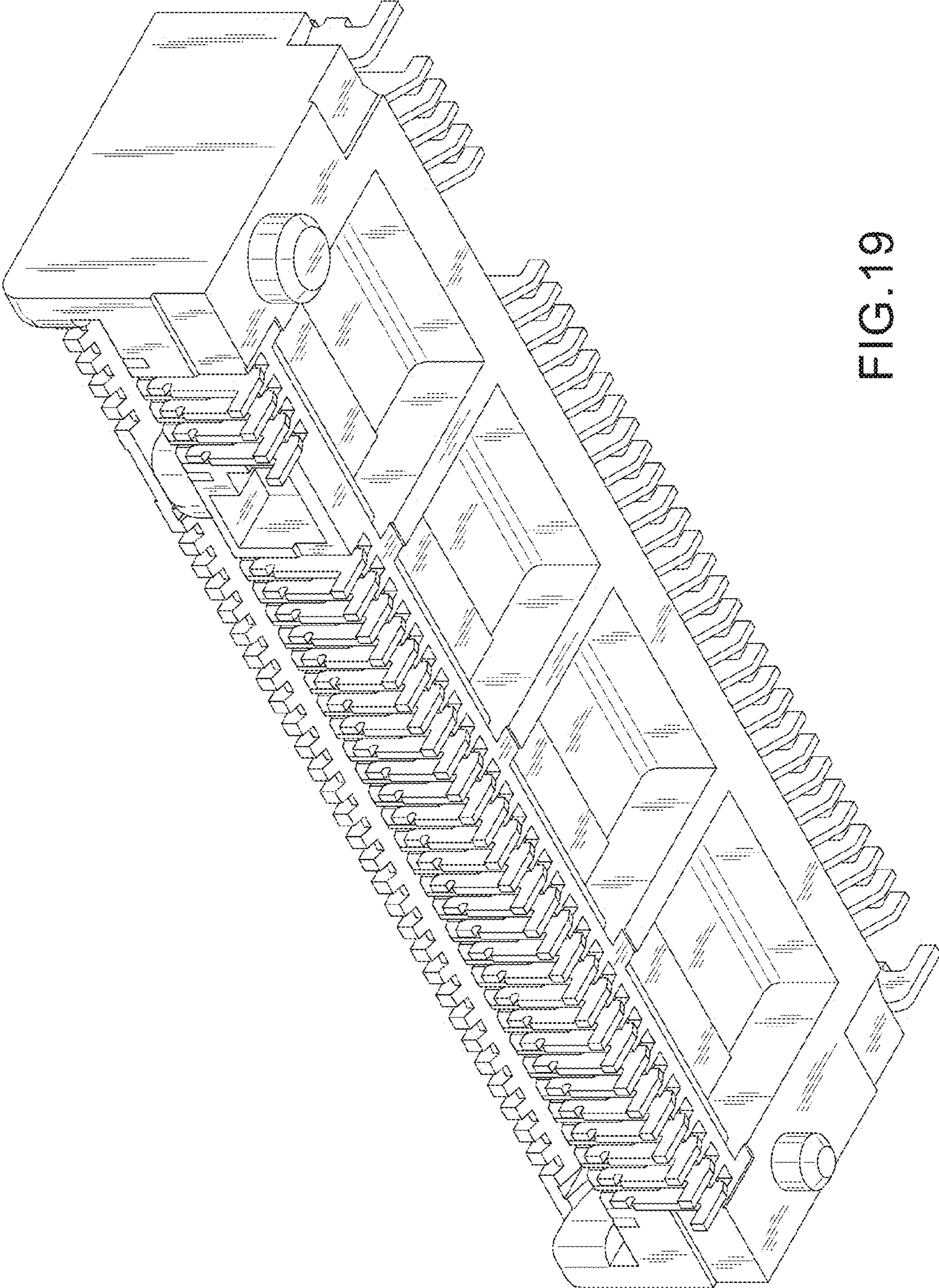


FIG.19

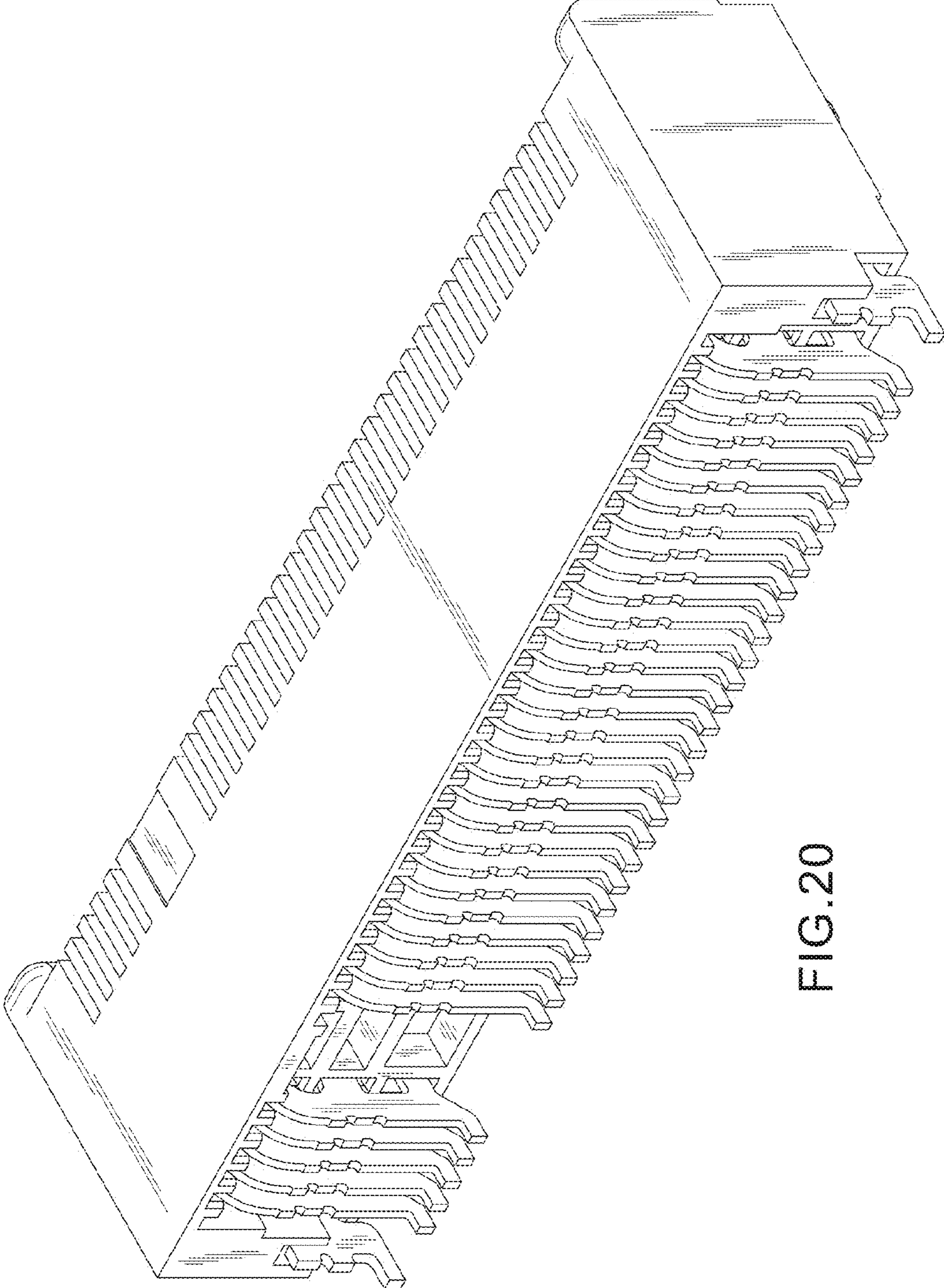


FIG.20

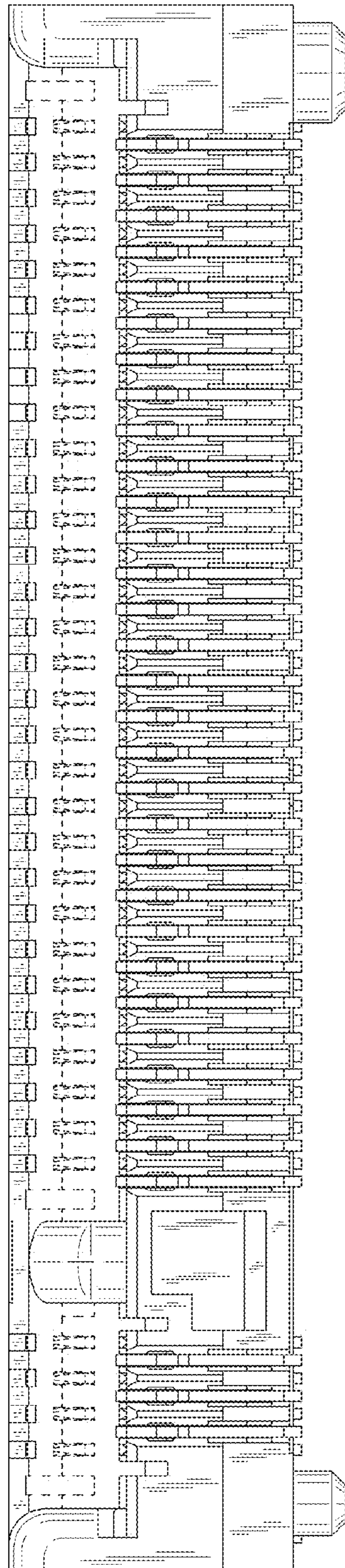


FIG. 21

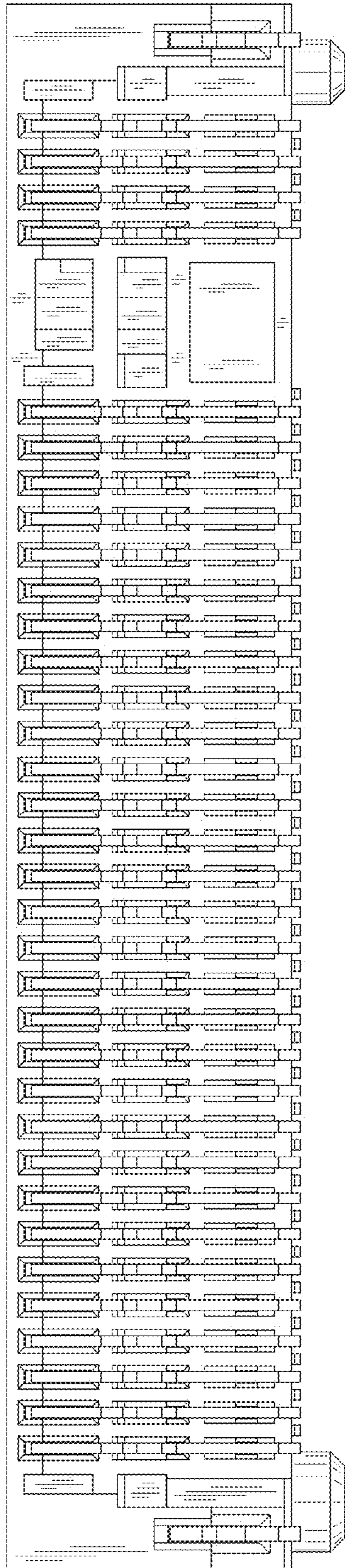


FIG.22



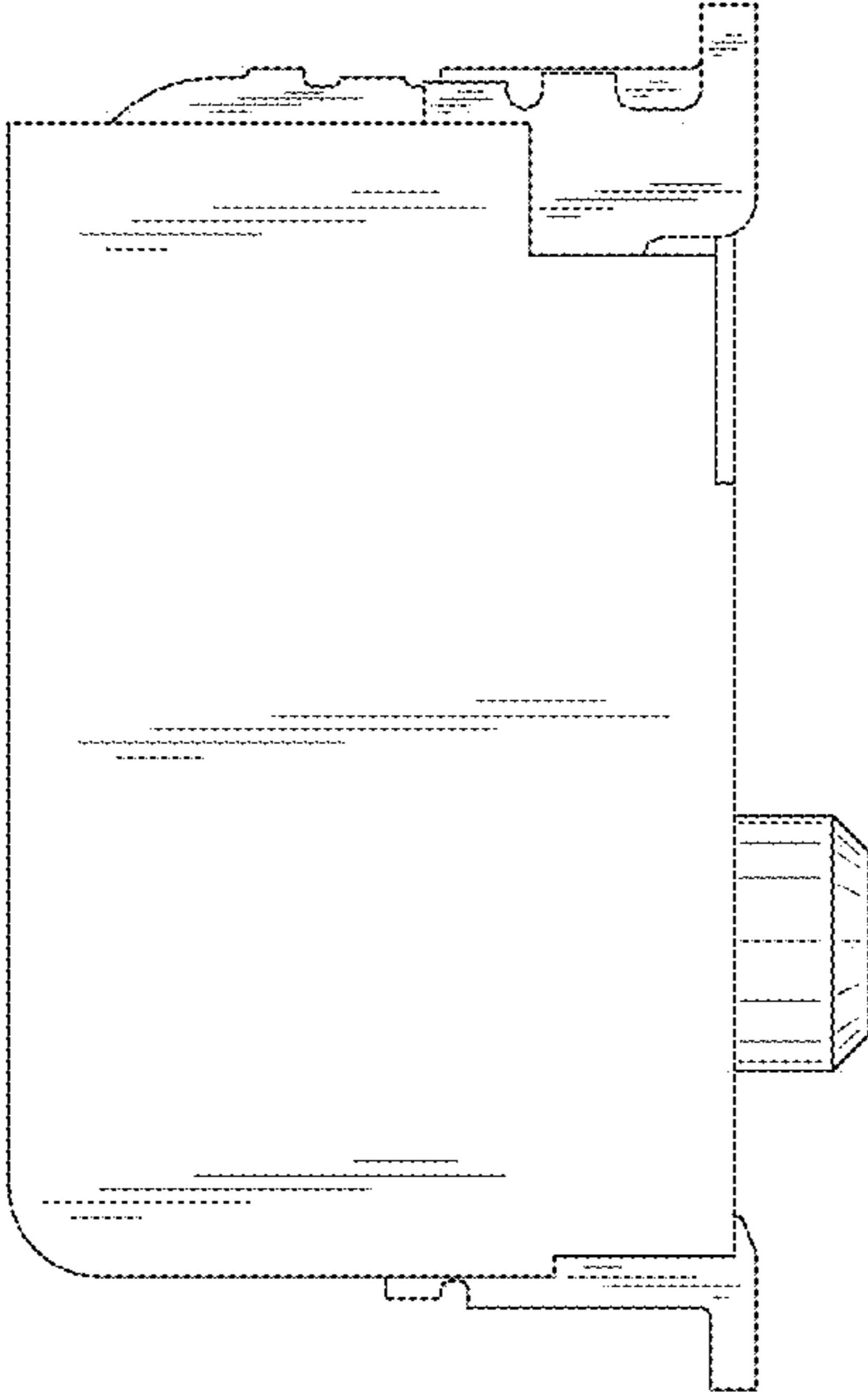


FIG. 23

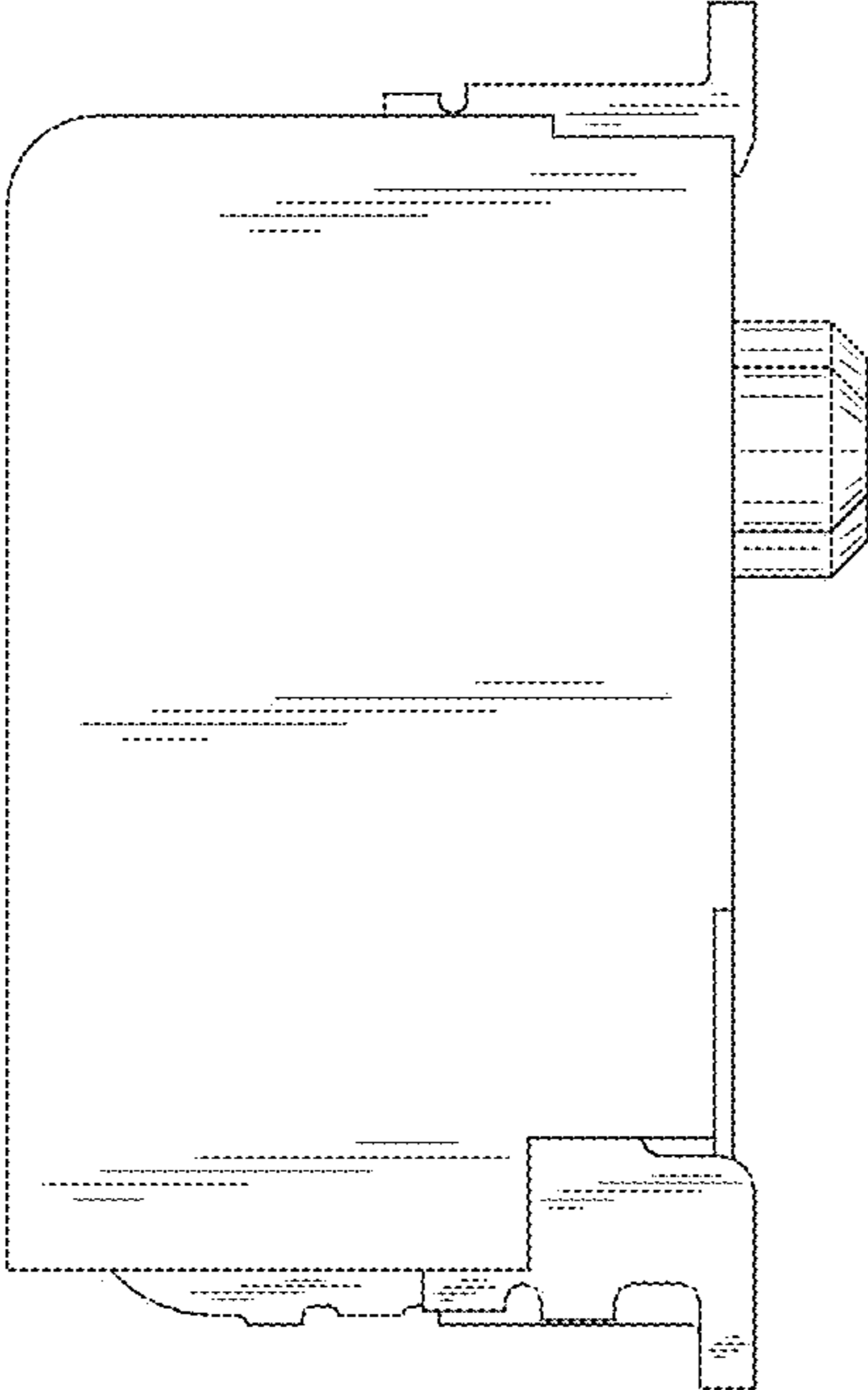


FIG.24

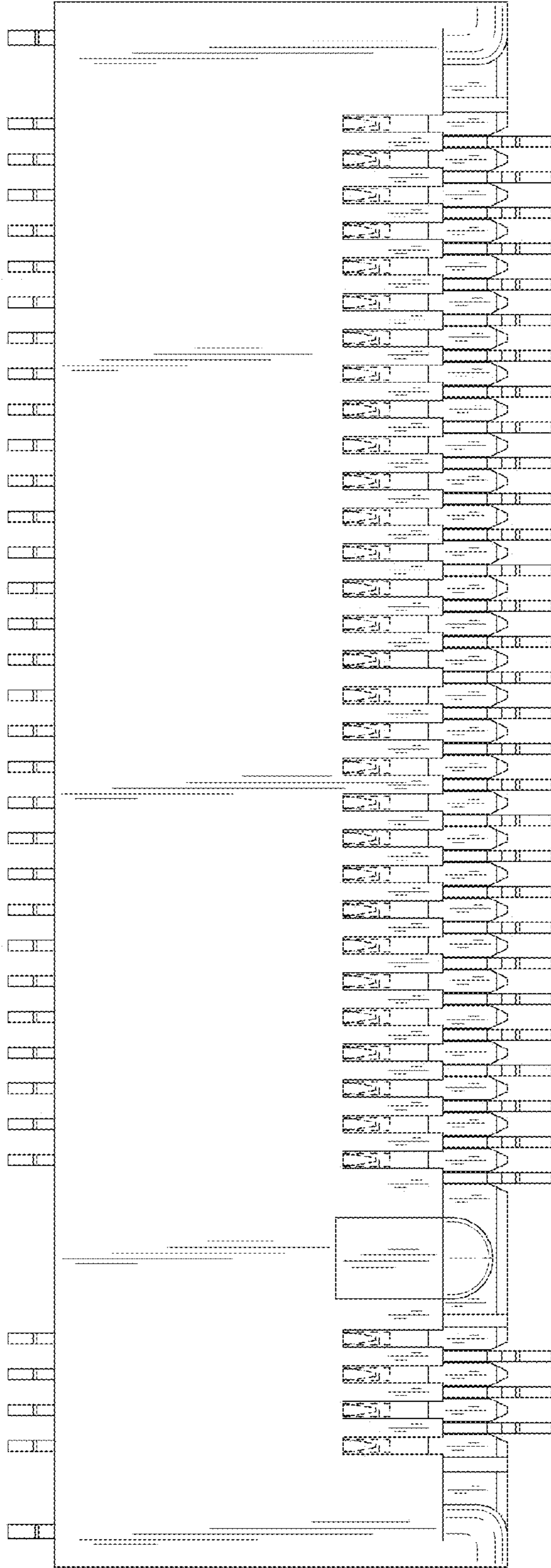


FIG. 25

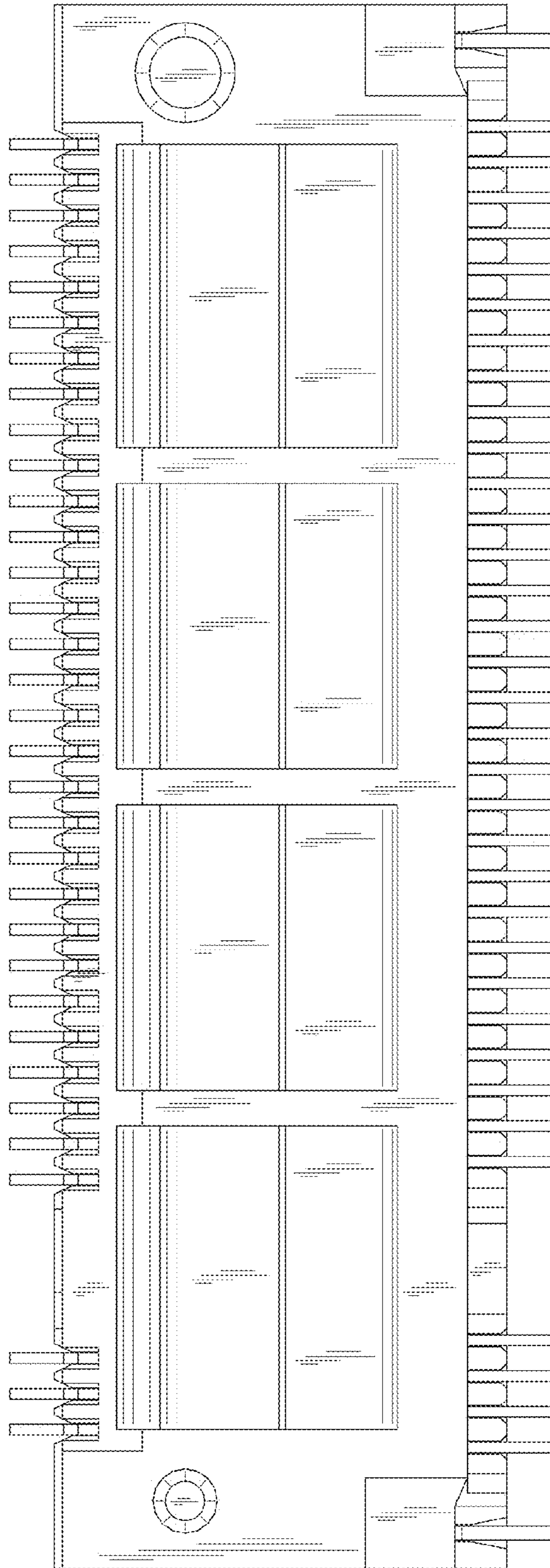


FIG. 26

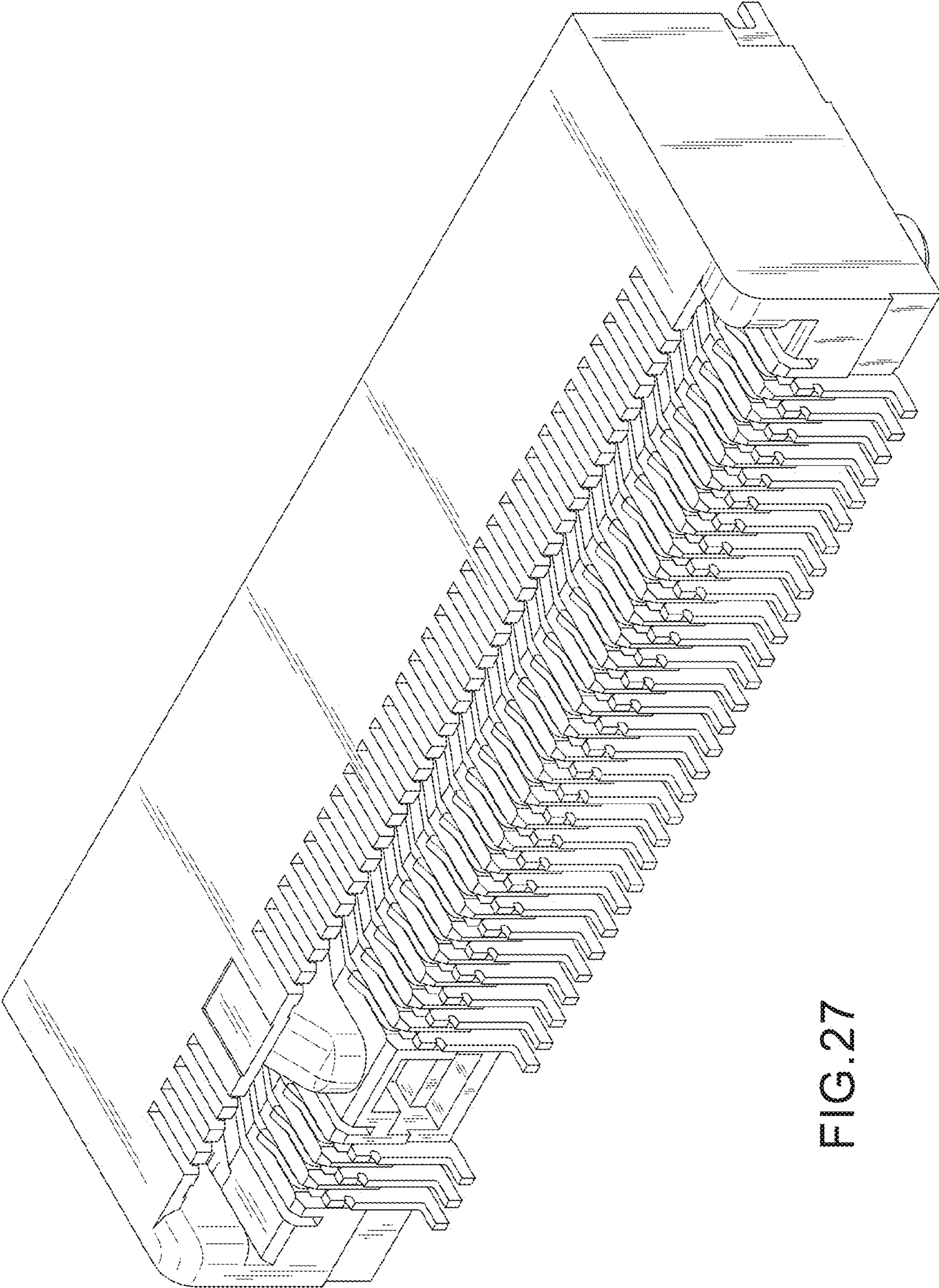


FIG.27

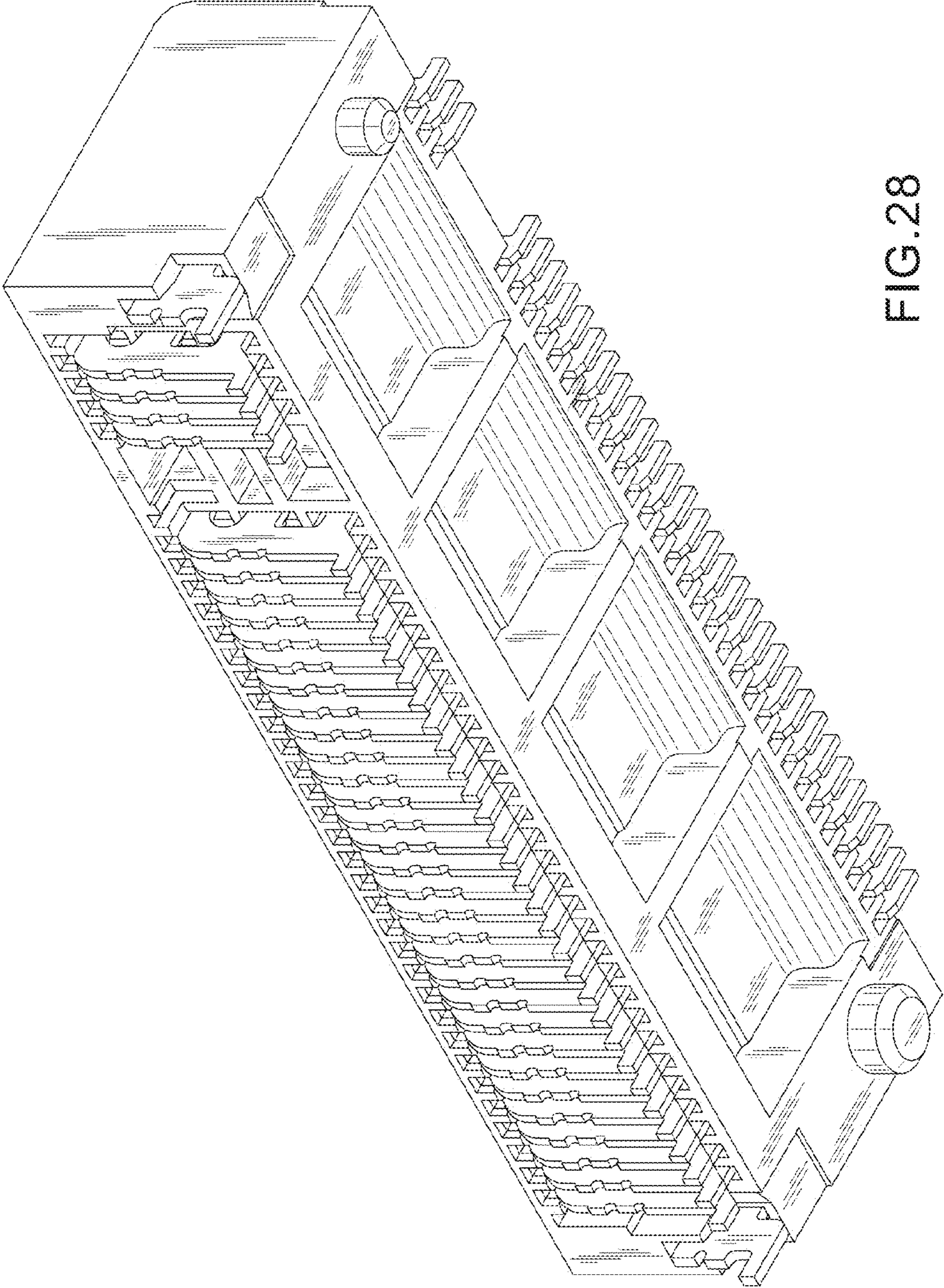


FIG. 28

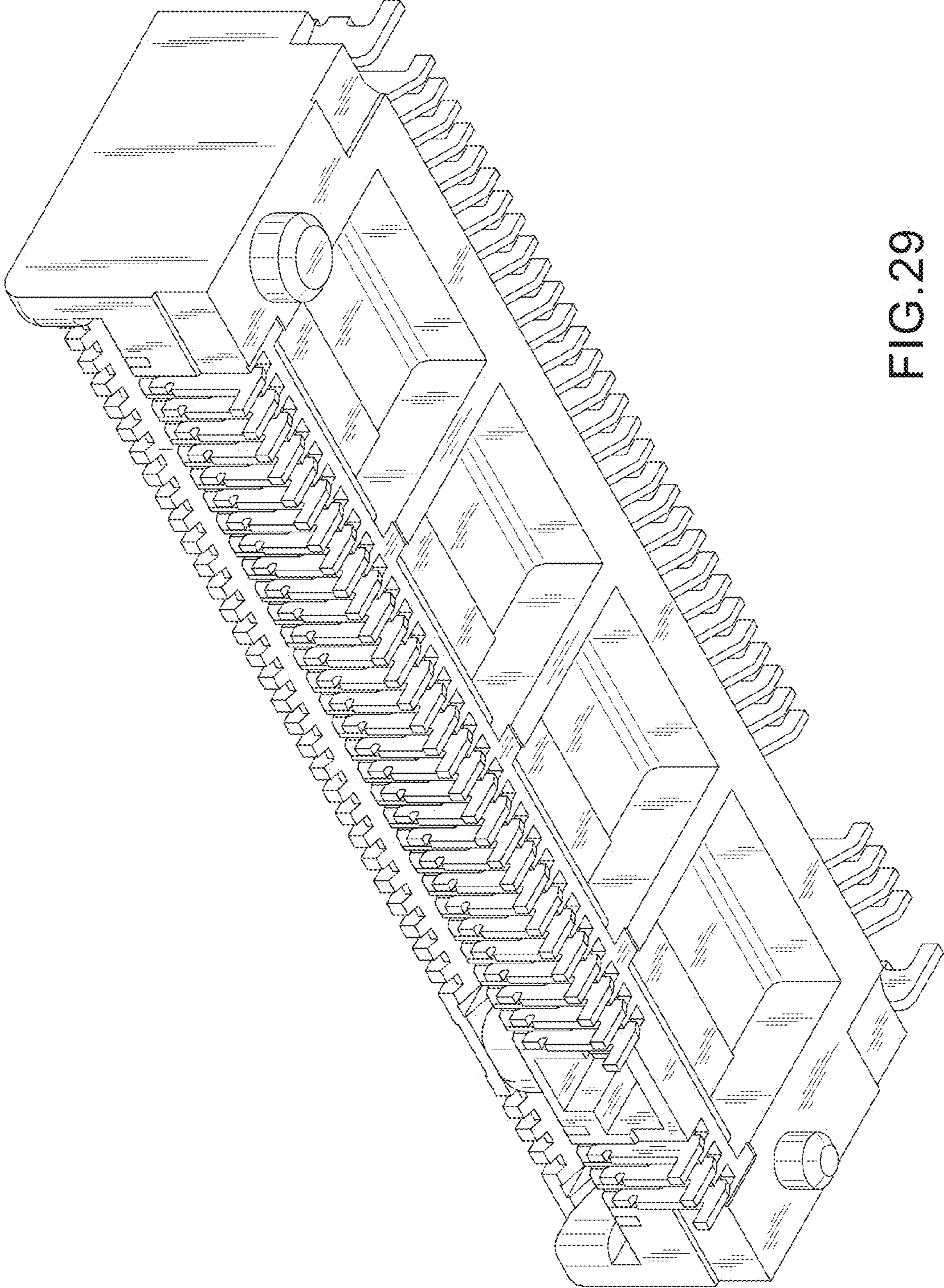


FIG. 29

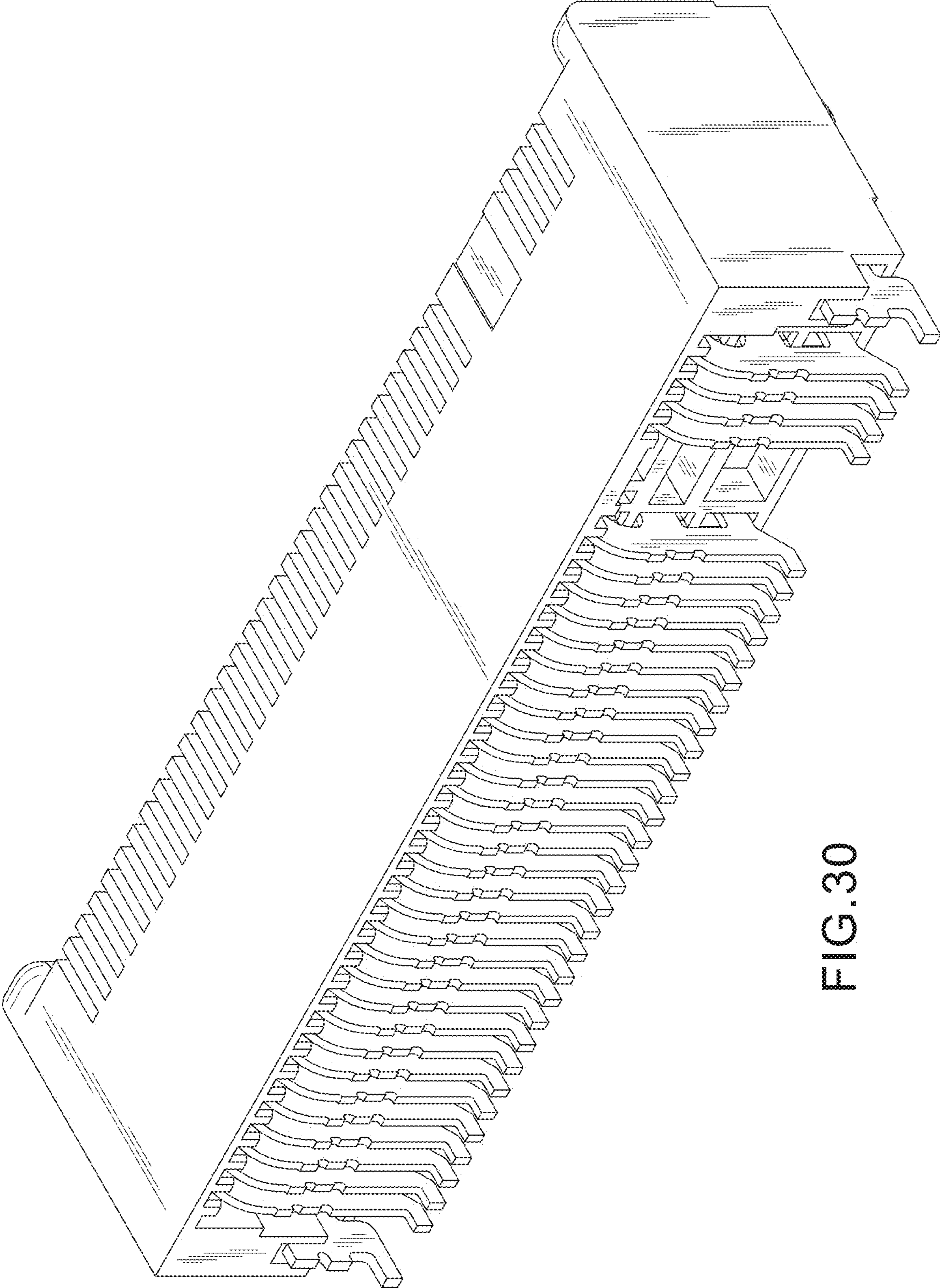


FIG. 30