



US00D706220S

(12) **United States Design Patent**
Zaslavsky et al.

(10) **Patent No.:** **US D706,220 S**

(45) **Date of Patent:** **** Jun. 3, 2014**

(54) **L-SHAPED POWER CONNECTOR FOR TYPE C SOCKETS**

(71) Applicant: **WebTuner, Corporation**, Redmond, WA (US)

(72) Inventors: **Eduard Zaslavsky**, Issaquah, WA (US);
Thomas E. Nichols, Redmond, WA (US)

(73) Assignee: **Web Tuner, Corp.**, Redmond, WA (US)

(**) Term: **14 Years**

(21) Appl. No.: **29/468,373**

(22) Filed: **Sep. 30, 2013**

(51) **LOC (10) Cl.** **13-03**

(52) **U.S. Cl.**
USPC **D13/137.2**

(58) **Field of Classification Search**
USPC D13/139.1, 107, 109, 110, 112, 114,
D13/130, 131, 132, 133, 137, 137.1, 137.2,
D13/137.3, 137.4, 138.1, 138.2, 139.3,
D13/139.2, 139.4, 139.5, 139.7, 139.8, 146,
D13/147, 151, 152, 160, 161, 162, 164,
D13/199; D26/2, 3, 64, 75; 313/331, 357,
313/422

See application file for complete search history.

(56) **References Cited**

U.S. PATENT DOCUMENTS

D378,290 S * 3/1997 Hahn D13/138.2
D384,328 S * 9/1997 Muller et al. D13/137.2
D576,552 S * 9/2008 Caine et al. D13/137.2

D596,571 S * 7/2009 Green D13/137.2
D596,572 S * 7/2009 Wu et al. D13/138.1
D610,092 S * 2/2010 Jimenez et al. D13/137.2
D621,781 S * 8/2010 Chang et al. D13/137.2
D636,336 S * 4/2011 Clark D13/137.2
D657,313 S * 4/2012 Fahrendorff et al. D13/138.2
D665,354 S * 8/2012 Chen et al. D13/138.1
D681,554 S * 5/2013 Nelson et al. D13/137.3

* cited by examiner

Primary Examiner — Robert M Spear

Assistant Examiner — Rhea Shields

(74) *Attorney, Agent, or Firm* — Remenick PLLC

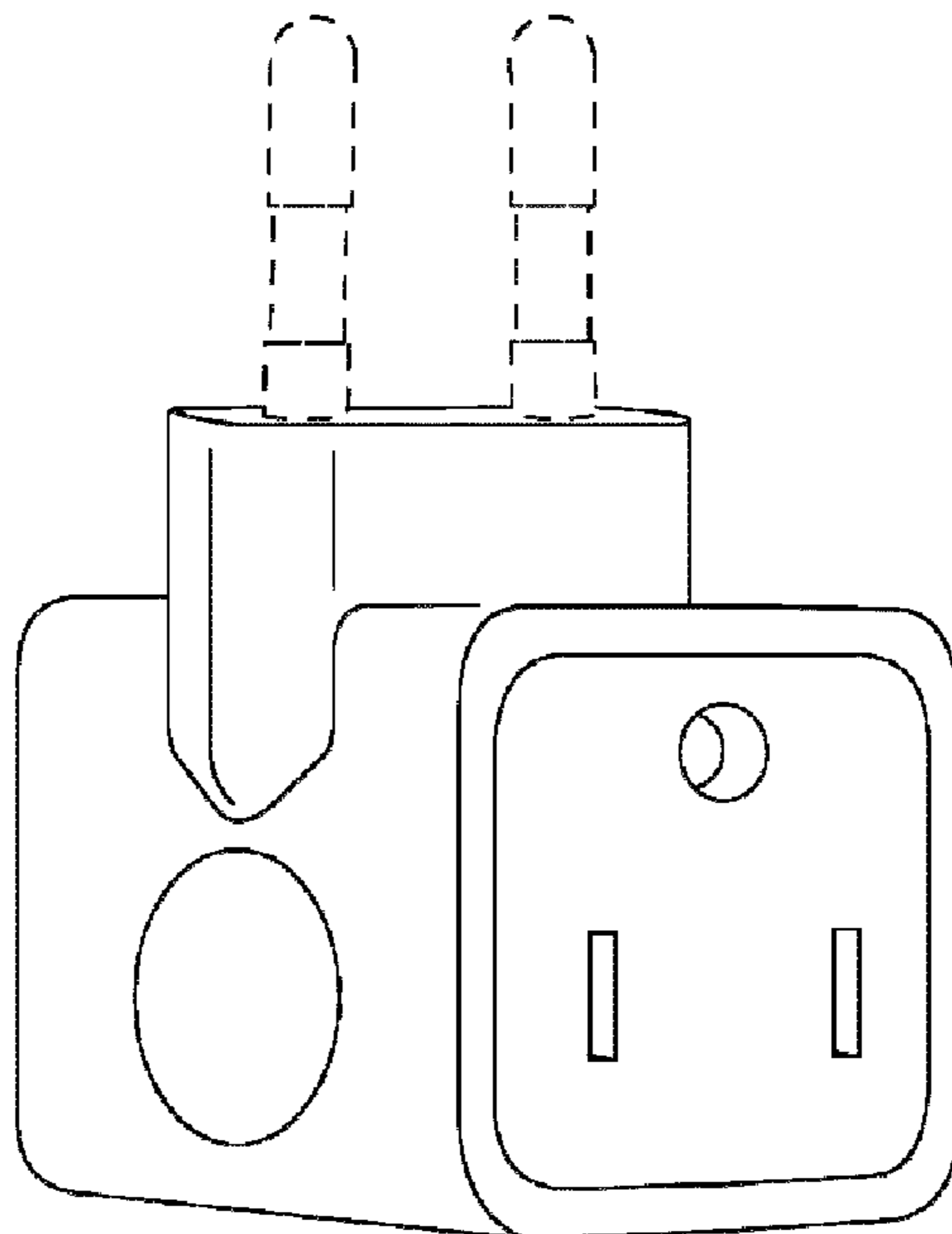
(57) **CLAIM**

The ornamental design for an L-shaped power connector for type C sockets, as shown and described.

DESCRIPTION

FIG. 1 is a perspective view of the L-shaped power connector for type C sockets showing our new design;
FIG. 2 is a left side view thereof, the right side being a mirror image;
FIG. 3 is a front view thereof;
FIG. 4 is a back view thereof;
FIG. 5 is a top view thereof; and,
FIG. 6 is a bottom view thereof.
The broken line showing of the L-shaped power connector for type C sockets represents unclaimed subject matter and forms no part of the claimed design.

1 Claim, 2 Drawing Sheets



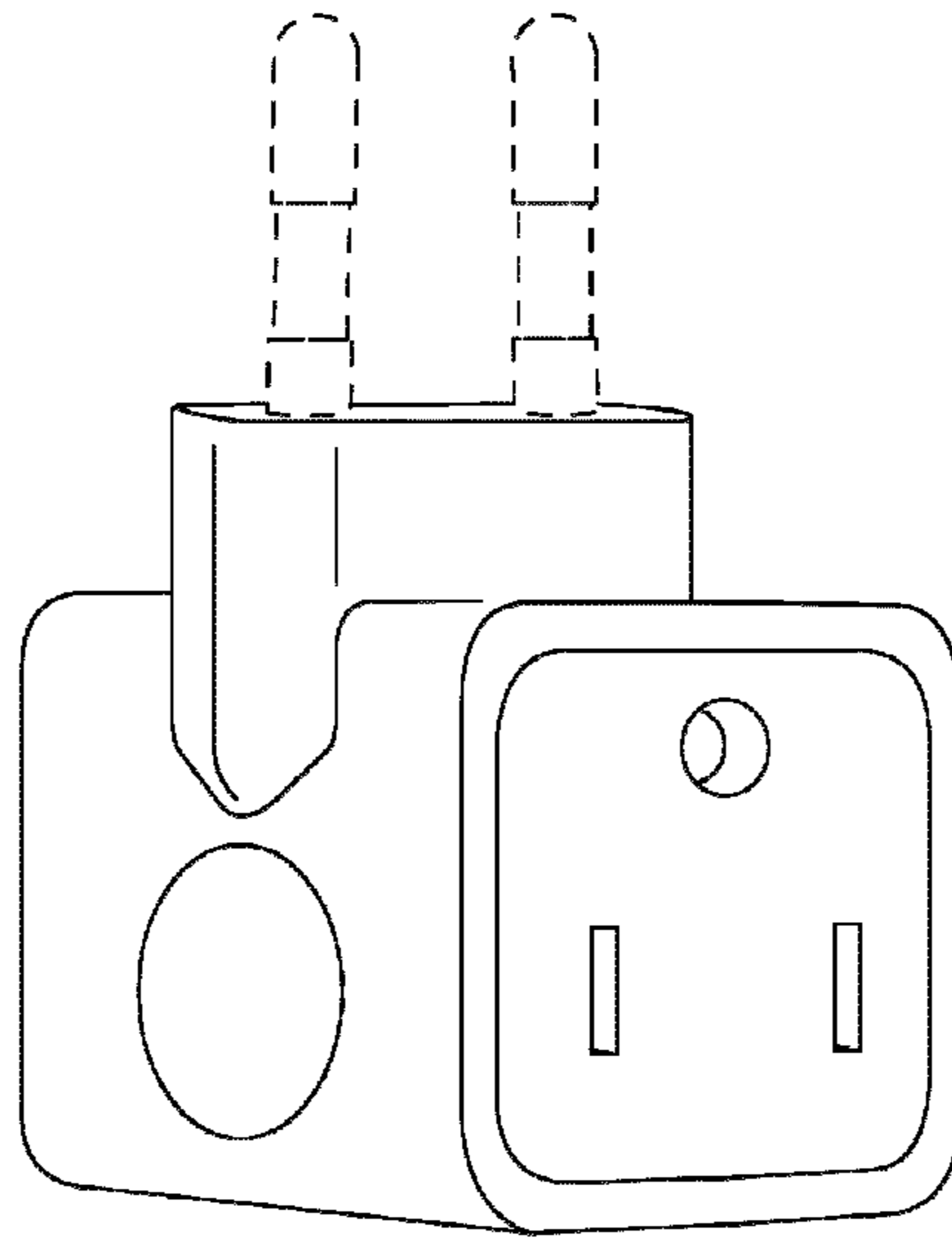


FIG. 1

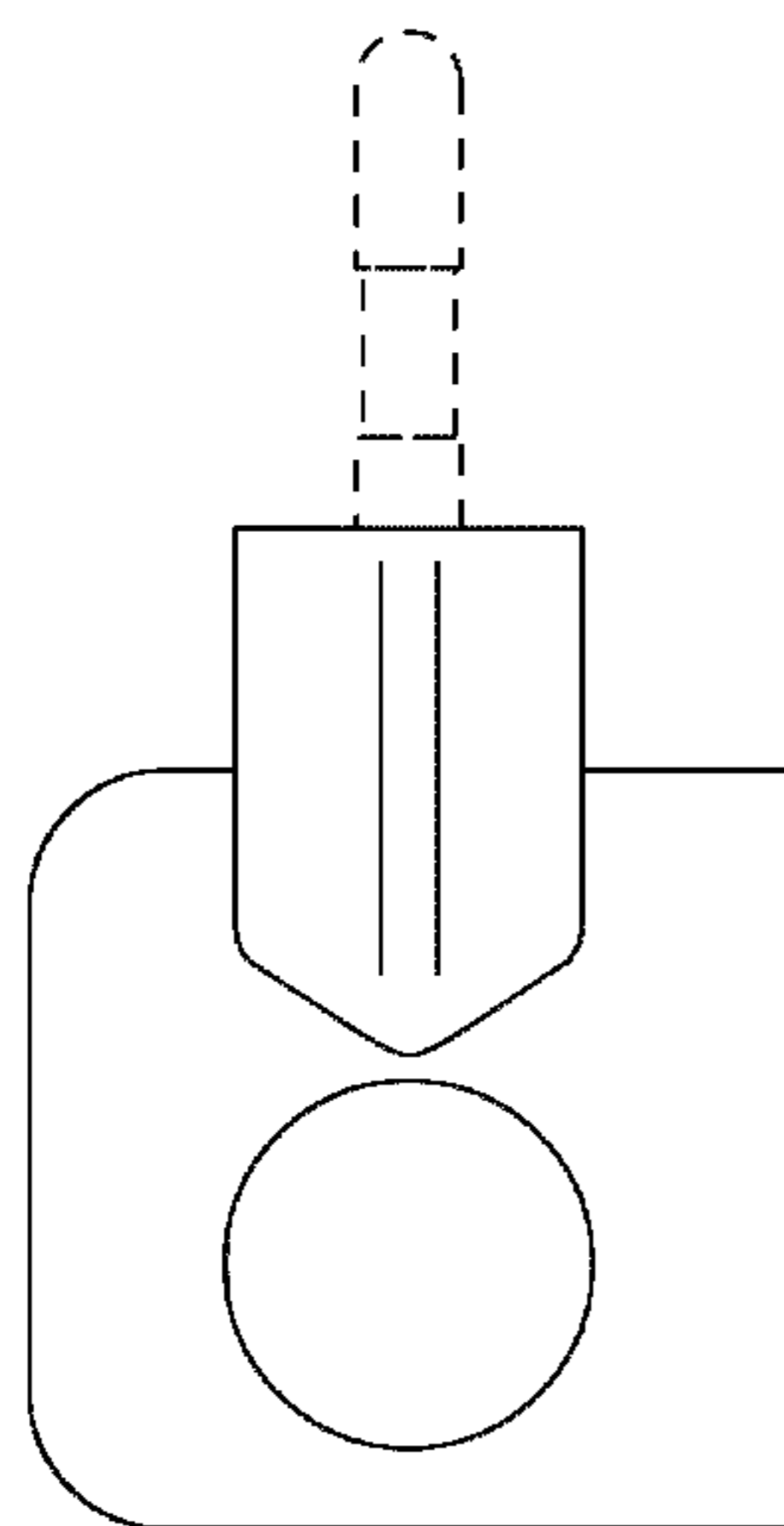


FIG. 2

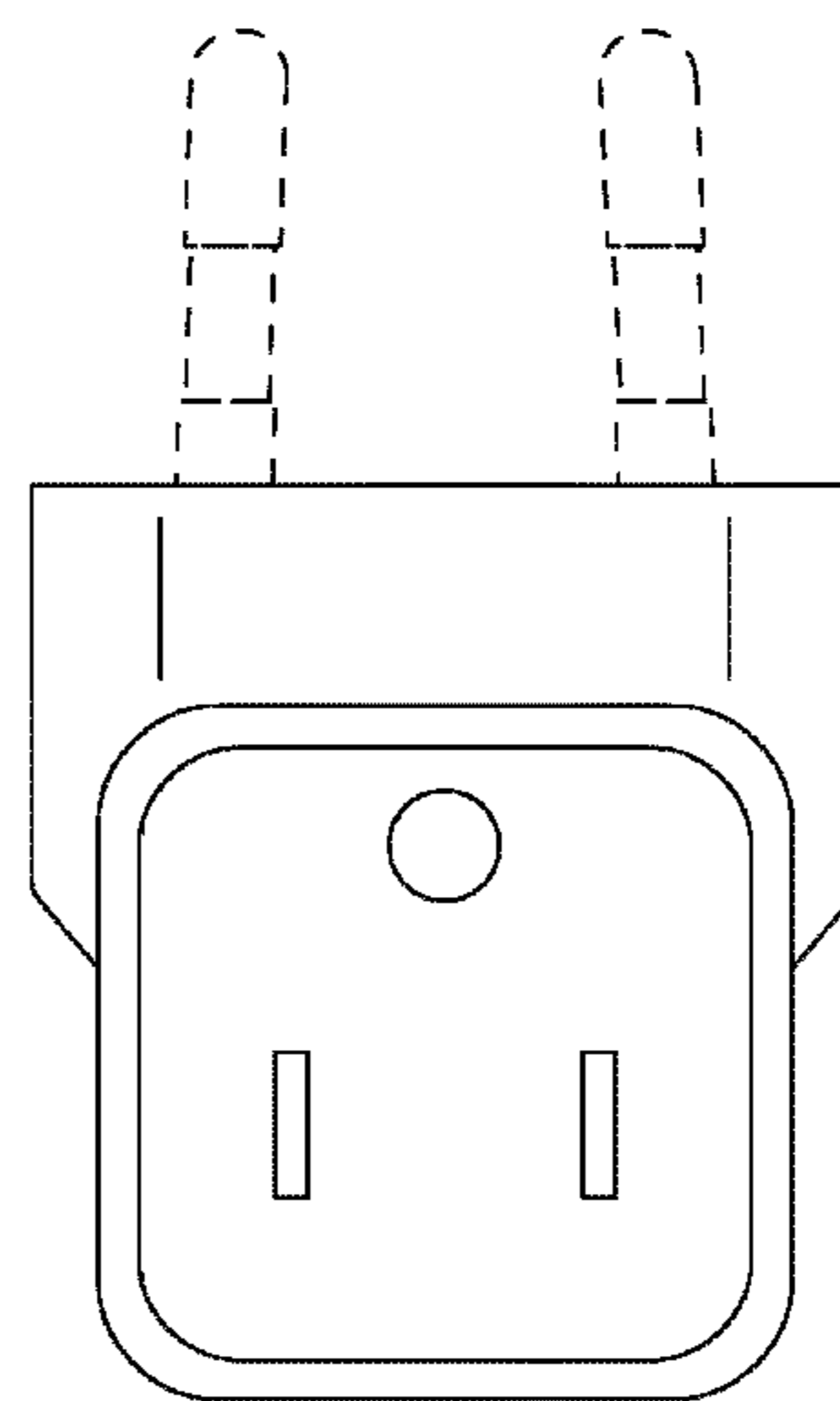


FIG. 3

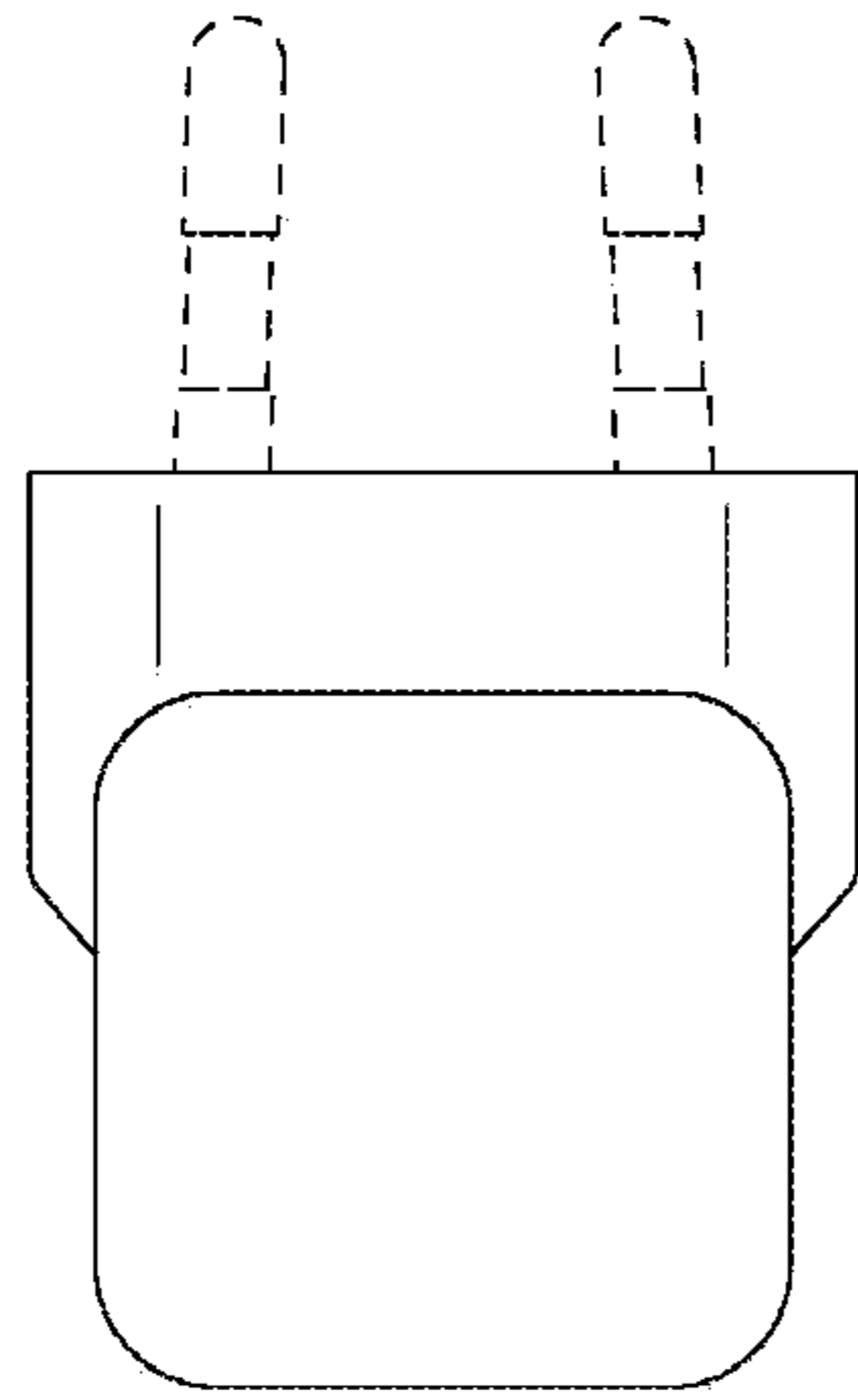


FIG. 4

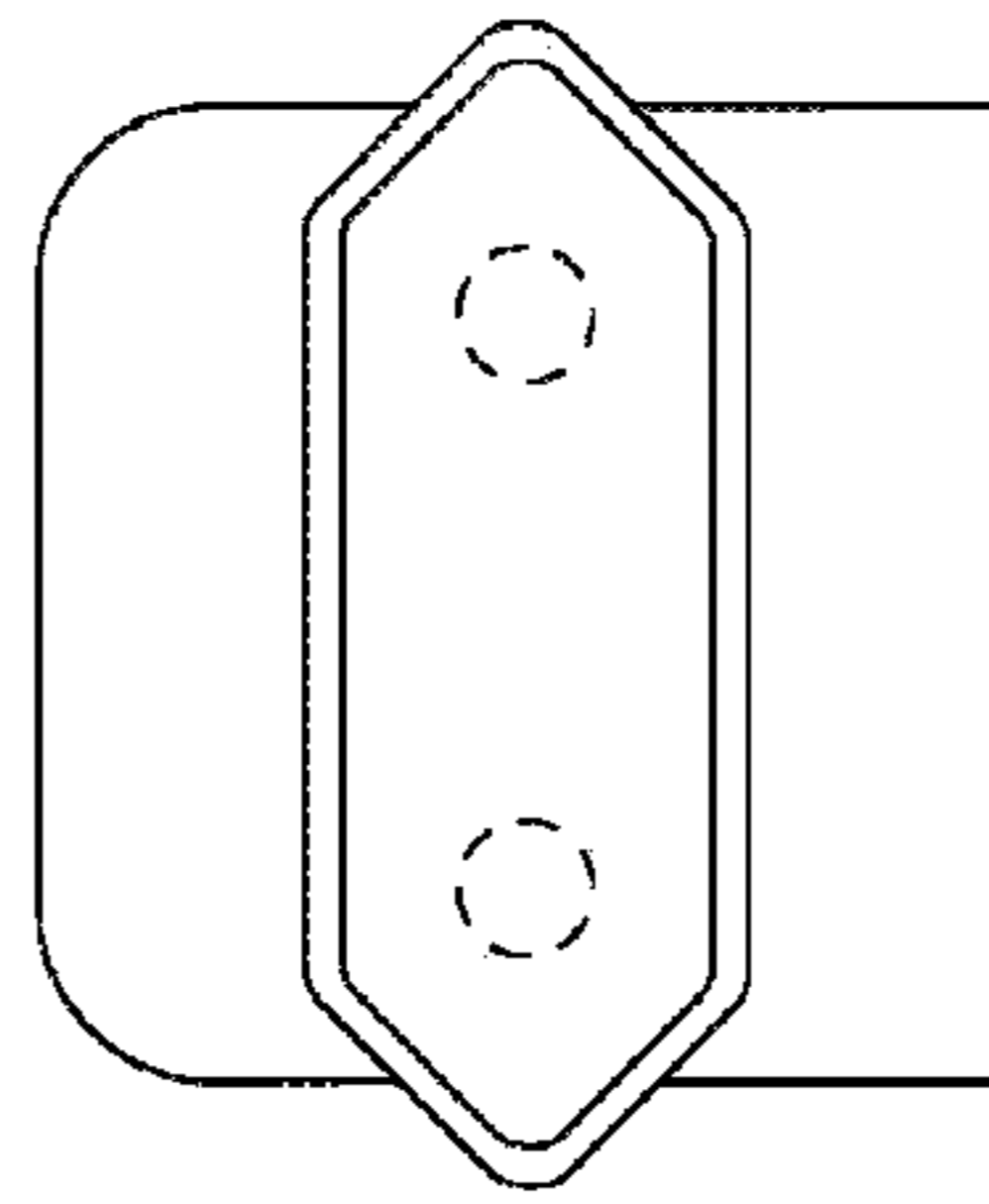


FIG. 5

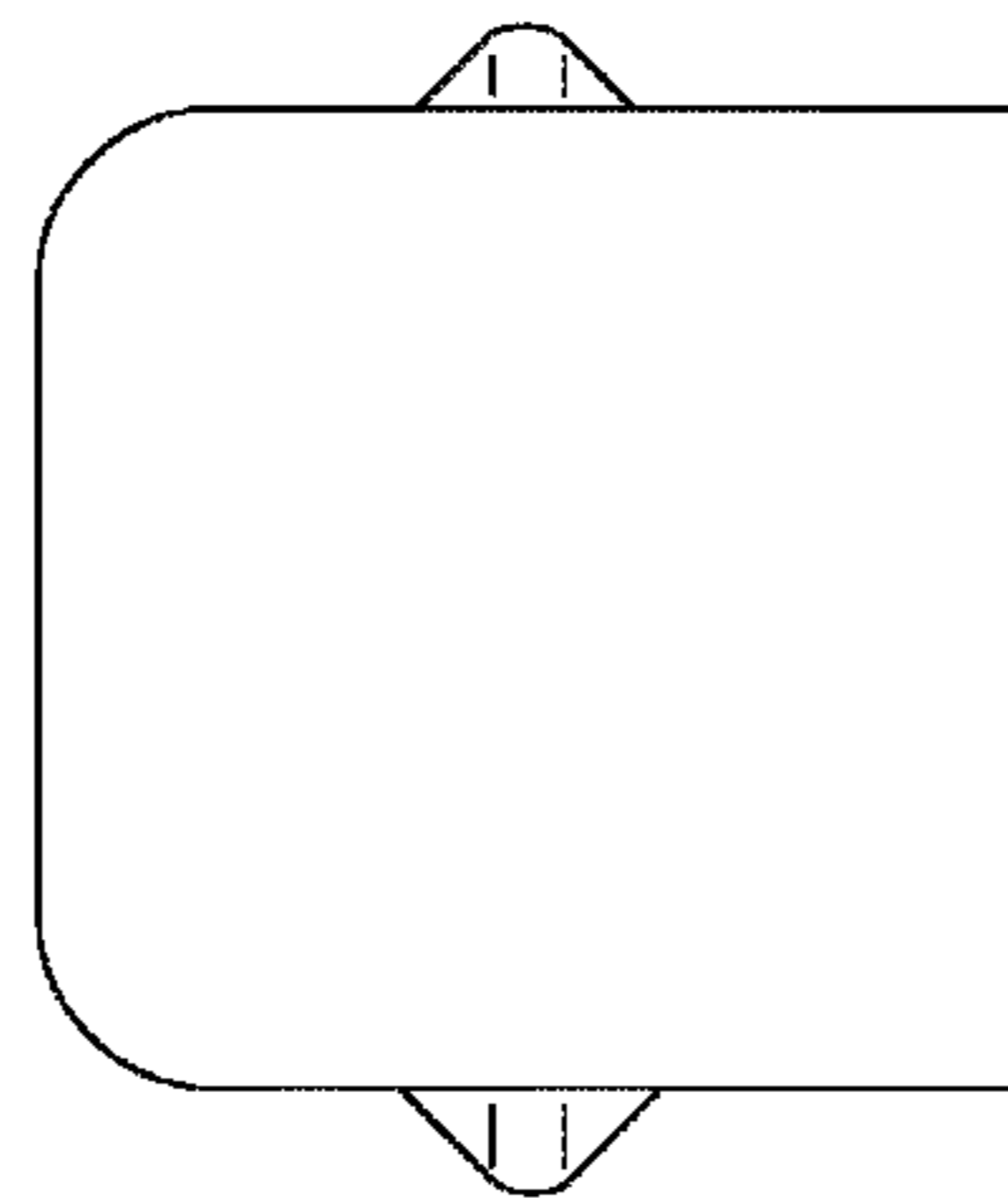


FIG. 6