



US00D706219S

(12) **United States Design Patent**  
**Funahashi**

(10) **Patent No.:** **US D706,219 S**  
(45) **Date of Patent:** **\*\* Jun. 3, 2014**

(54) **ELECTRICAL COAXIAL CONNECTOR FOR HIGH-FREQUENCY SIGNALS**

2010/0081320 A1\* 4/2010 Maruyama et al. .... 439/578  
2010/0093210 A1\* 4/2010 Zeng ..... 439/578  
2012/0295477 A1\* 11/2012 Funahashi ..... 439/578

(71) Applicant: **Dai-Ichi Seiko Co., Ltd.**, Kyoto (JP)

FOREIGN PATENT DOCUMENTS

(72) Inventor: **Akio Funahashi**, Tokyo (JP)

JP D974251 S 11/1996  
JP D985393 S 4/1997  
JP D995254 S 7/1997  
JP D1218488 S 8/2004  
JP D1446515 S 6/2012

(73) Assignee: **Dai-Ichi Seiko Co., Ltd.**, Kyoto (JP)

(\*\*) Term: **14 Years**

\* cited by examiner

(21) Appl. No.: **29/447,107**

*Primary Examiner* — Khawaja Anwar

(22) Filed: **Feb. 28, 2013**

(74) *Attorney, Agent, or Firm* — Studebaker & Brackett PC

(30) **Foreign Application Priority Data**

(57) **CLAIM**

Sep. 6, 2012 (JP) ..... 2012-021514

The ornamental design for a electrical coaxial connector for high-frequency signals, as shown and described.

(51) **LOC (10) Cl.** ..... **13-03**

**DESCRIPTION**

(52) **U.S. Cl.**

USPC ..... **D13/133**

(58) **Field of Classification Search**

USPC ..... D13/133, 154, 184, 199; 439/578, 581, 439/583, 944

See application file for complete search history.

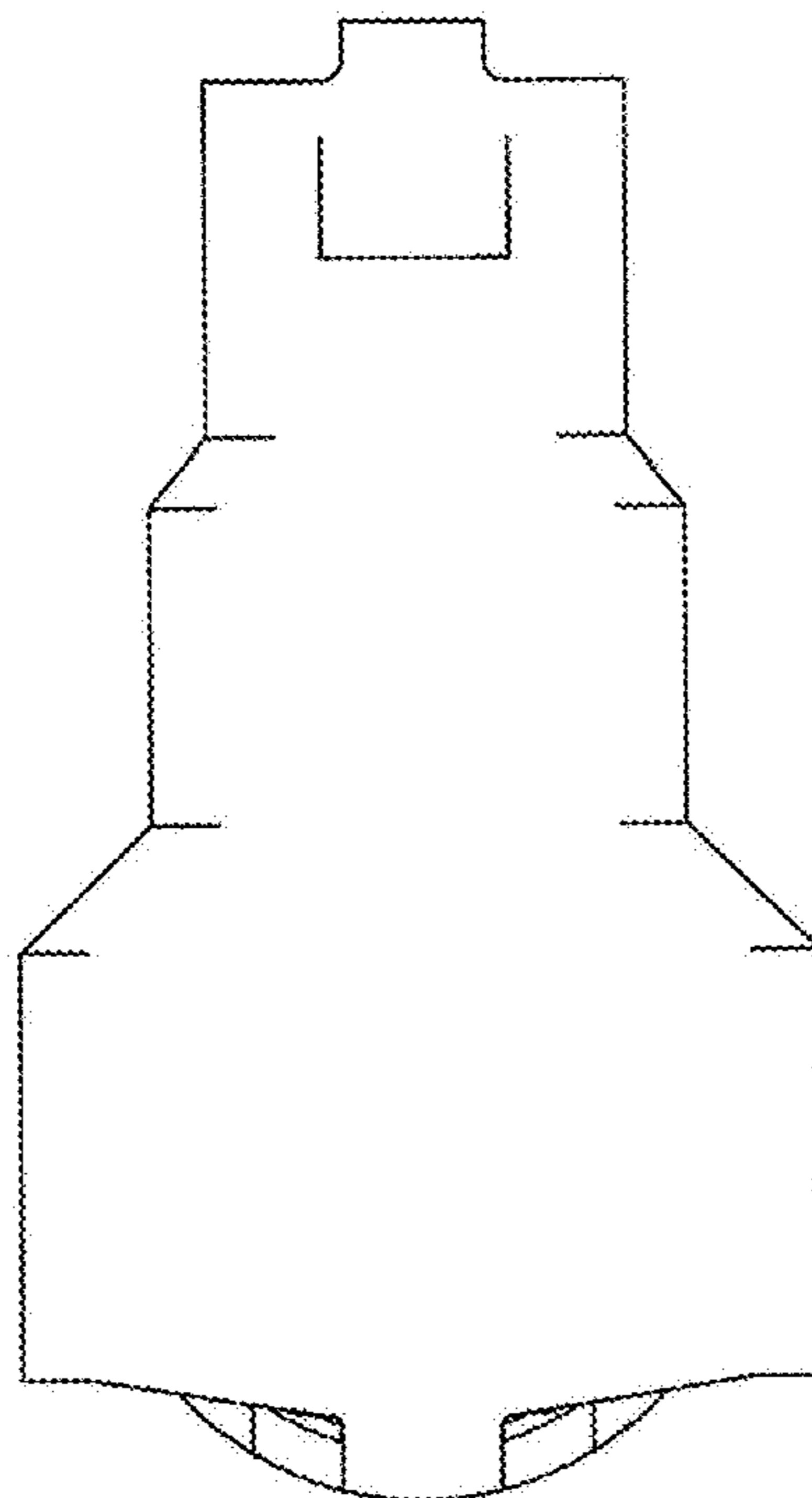
(56) **References Cited**

U.S. PATENT DOCUMENTS

D447,117 S \* 8/2001 Ko ..... D13/133  
D457,496 S \* 5/2002 Ko ..... D13/133  
D575,741 S \* 8/2008 Yamane ..... D13/133  
D576,952 S \* 9/2008 Hung ..... D13/133

FIG. 1 is a top plan view of an electrical coaxial connector for high-frequency signals showing my new design;  
FIG. 2 is a front view thereof;  
FIG. 3 is a bottom view thereof;  
FIG. 4 is a rear view thereof;  
FIG. 5 is a right side view thereof; a left side view is a mirror image thereof;  
FIG. 6 is a front, top and right side perspective view thereof; and,  
FIG. 7 is a front, bottom and left side perspective view thereof.

**1 Claim, 7 Drawing Sheets**



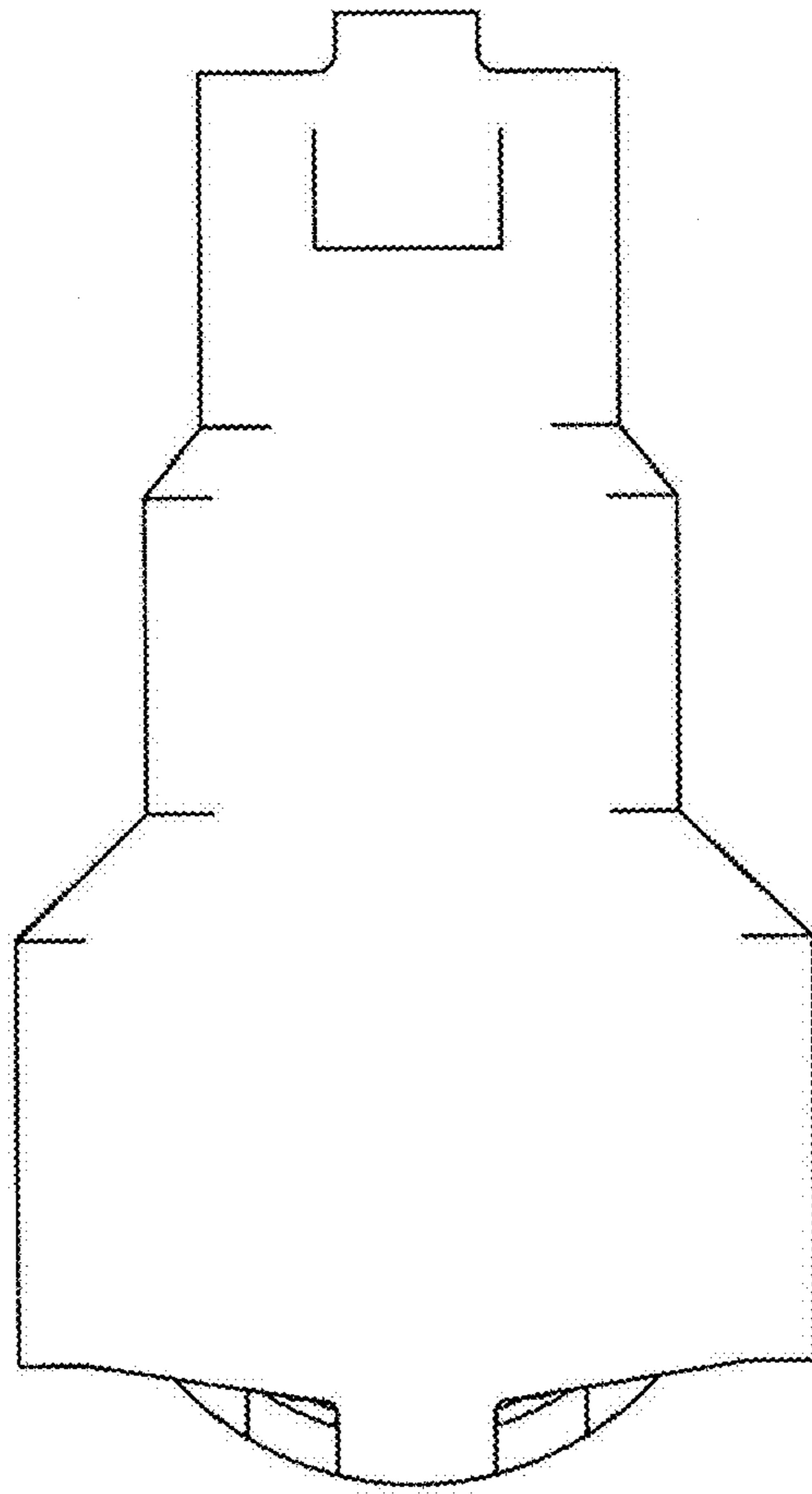


FIG. 1

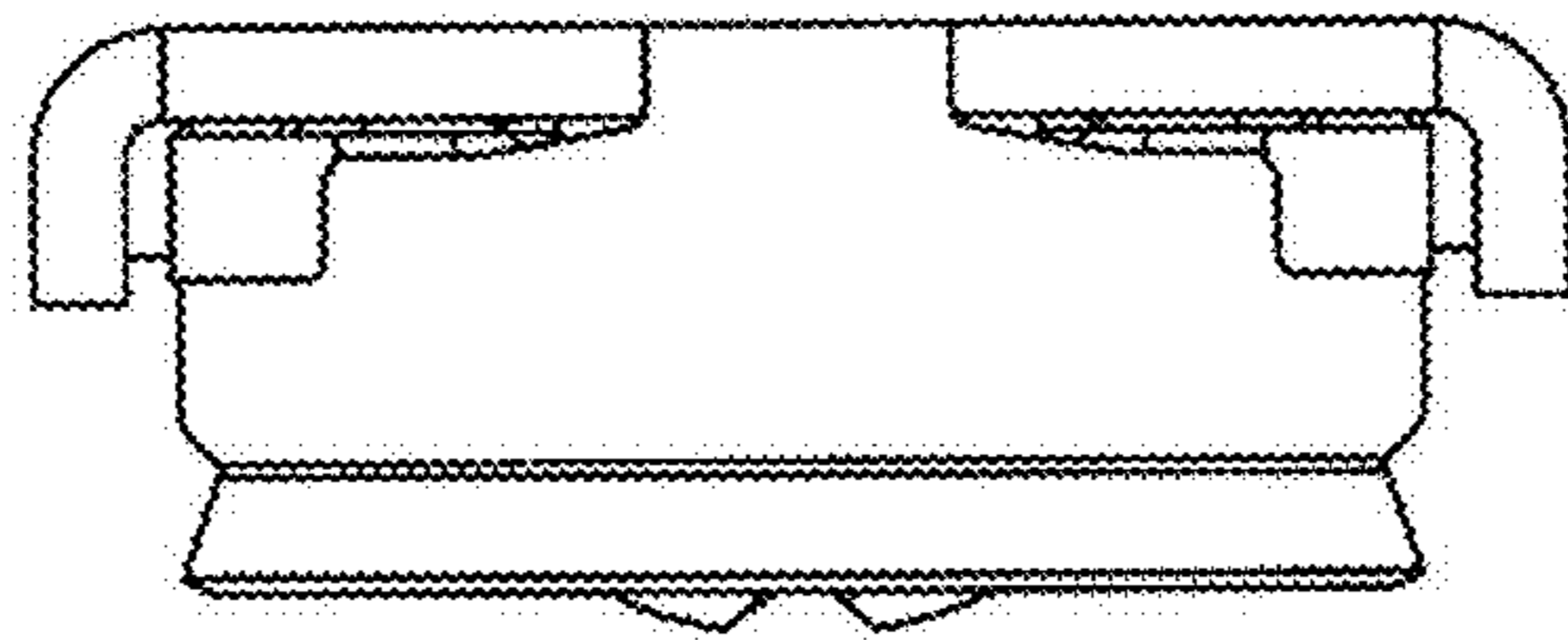


FIG. 2

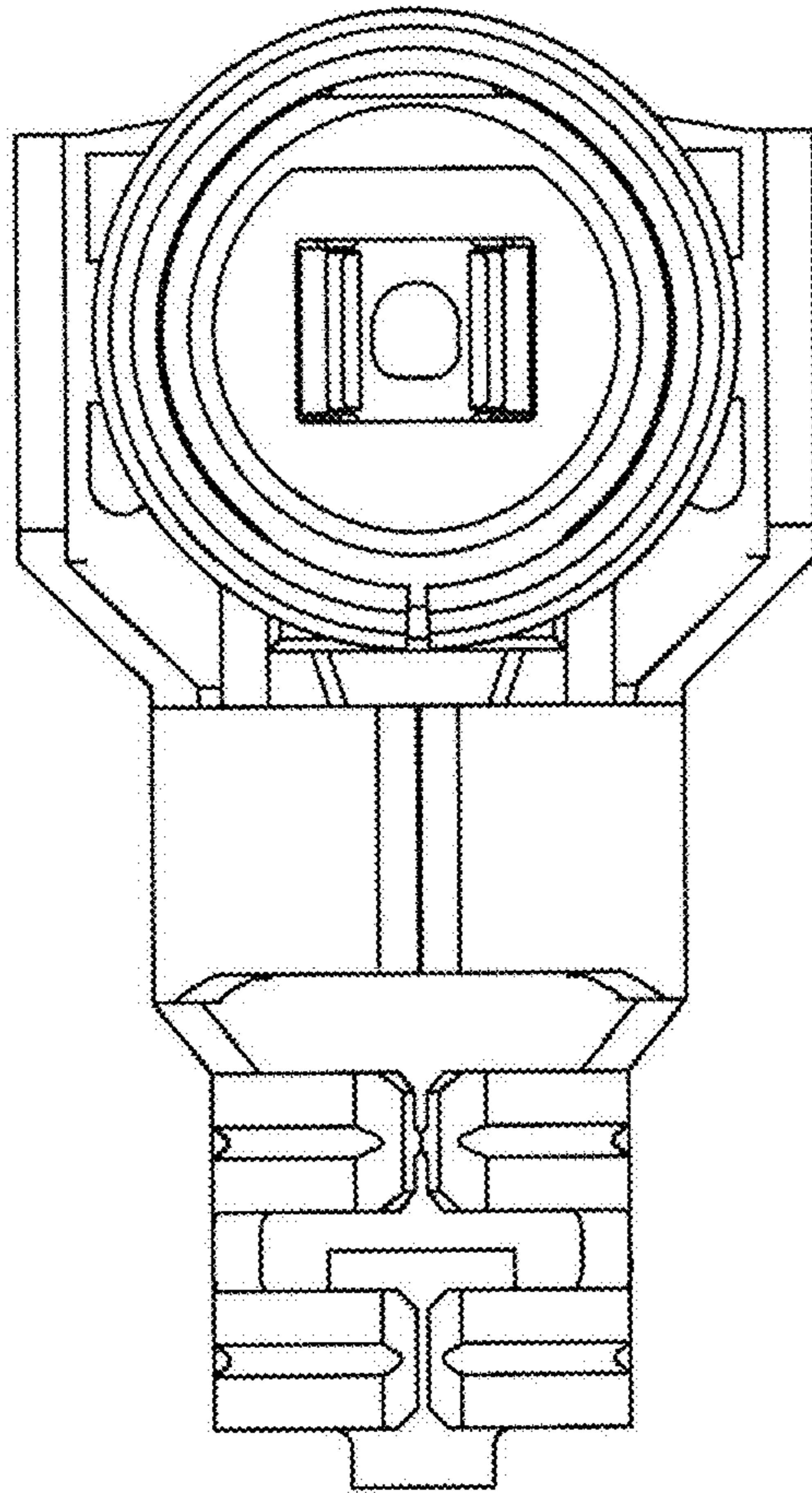


FIG. 3

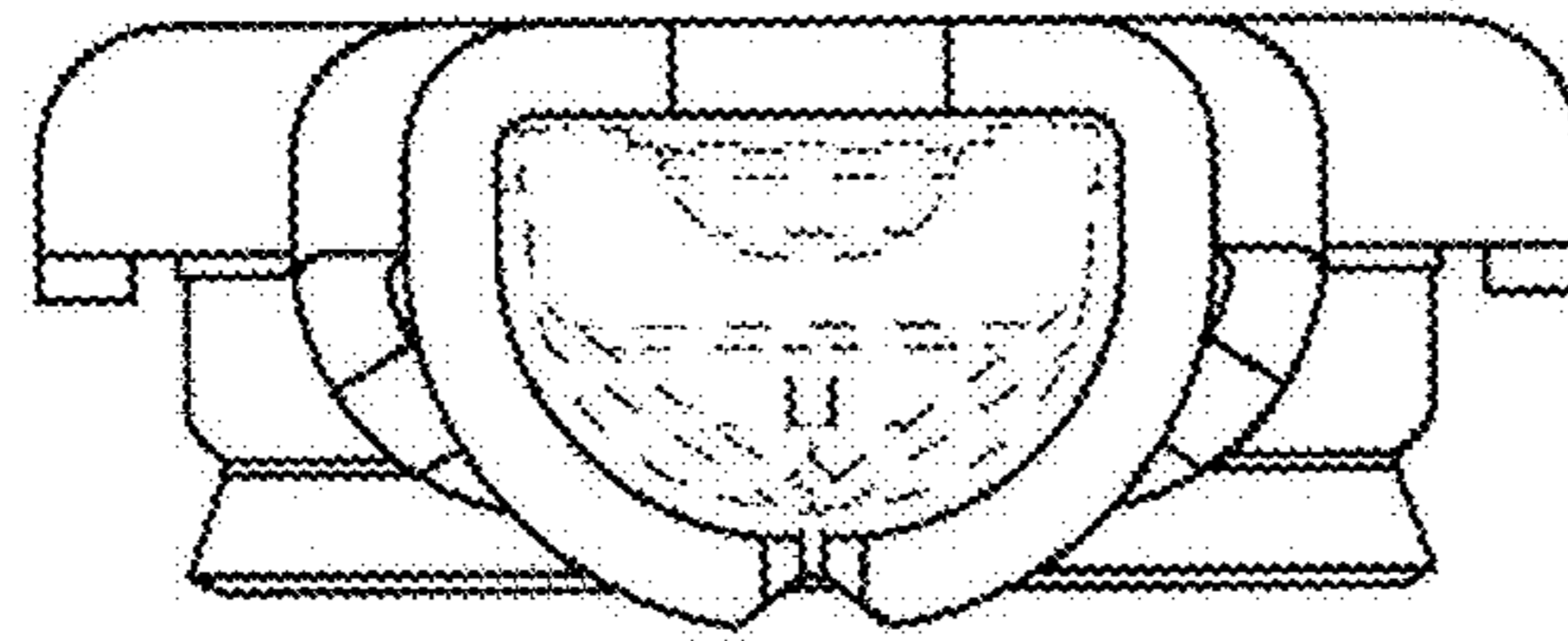


FIG. 4

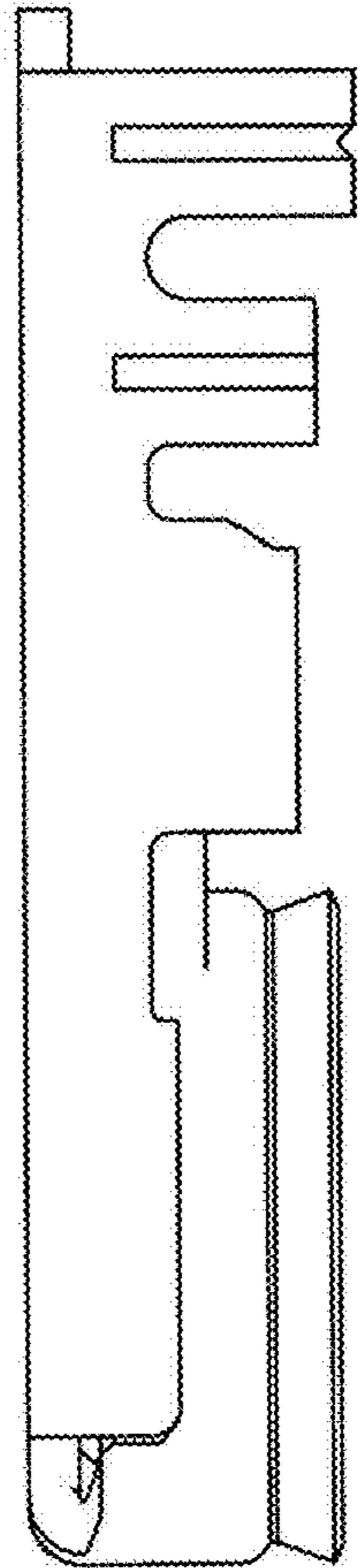


FIG. 5

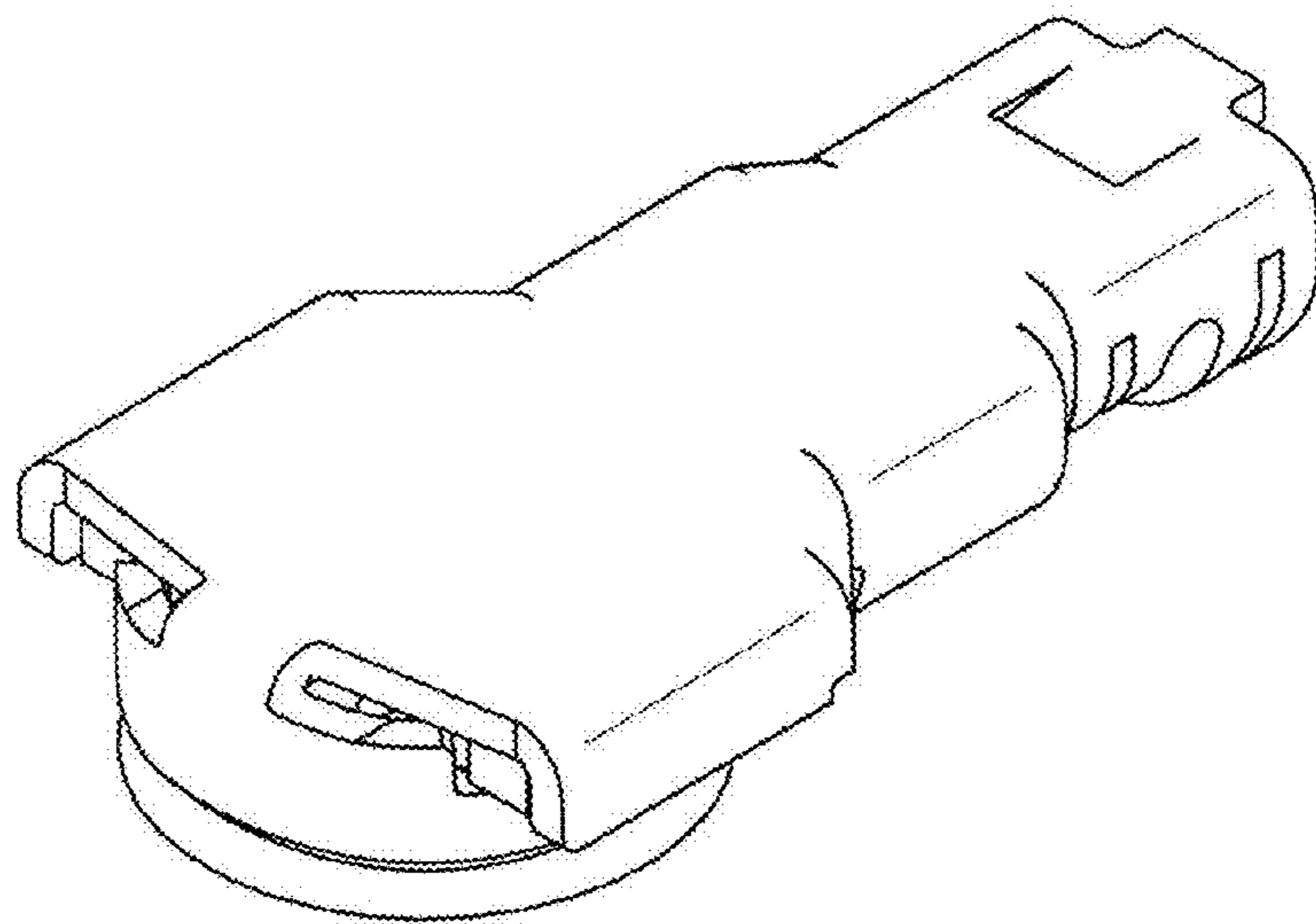


FIG. 6

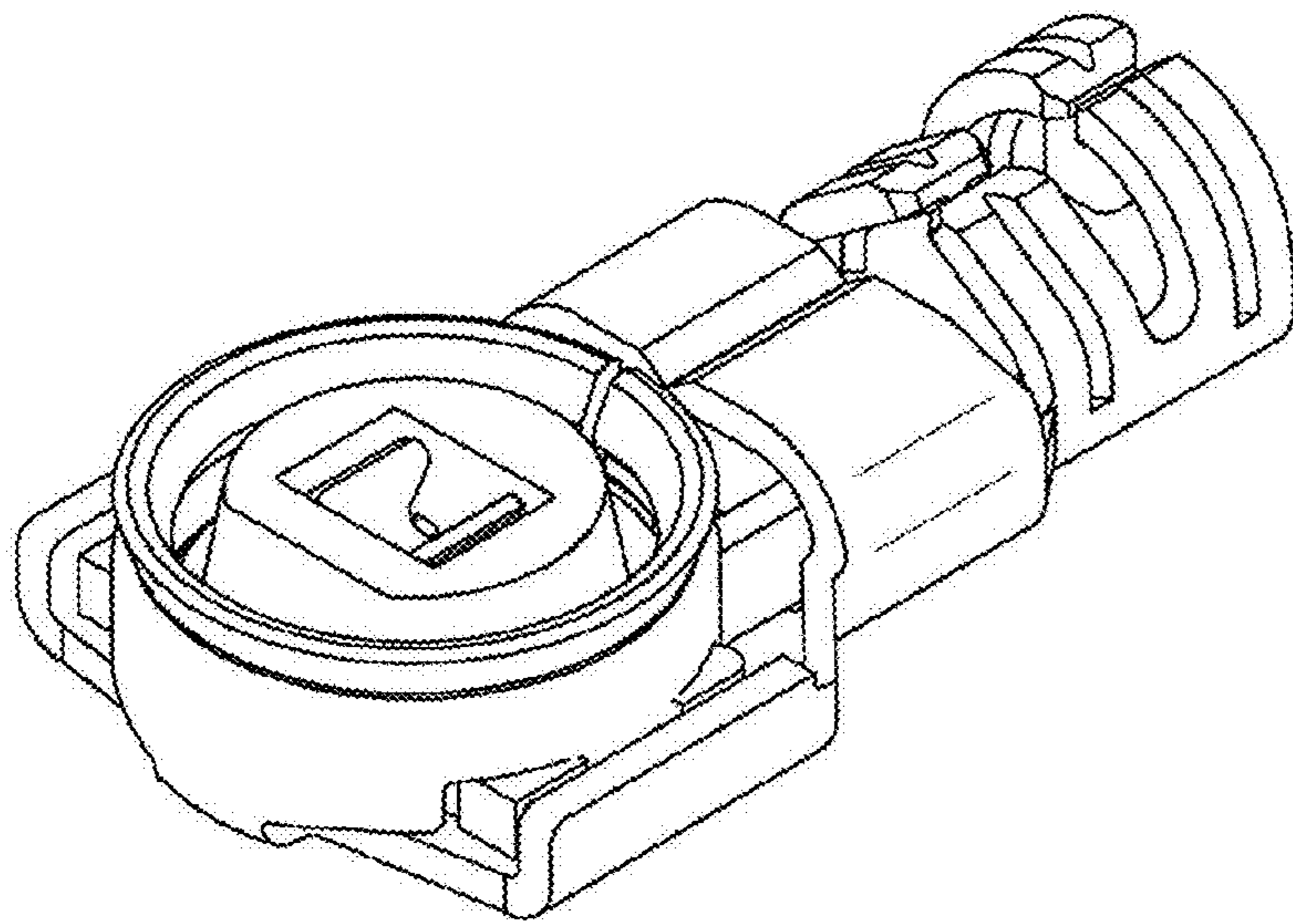


FIG. 7