



US00D706217S

(12) **United States Design Patent**
McKune et al.

(10) **Patent No.:** **US D706,217 S**
(45) **Date of Patent:** **** Jun. 3, 2014**

(54) **ELECTRIC INDUCTION POWER SUPPLY**

(56) **References Cited**

(71) Applicant: **Radyne Corporation**, Milwaukee, WI
(US)

U.S. PATENT DOCUMENTS

(72) Inventors: **Joshua Edwards McKune**, Oak Creek,
WI (US); **John Justin Mortimer**,
Genesee, WI (US)

3,963,972 A *	6/1976	Todd	320/112
D280,318 S *	8/1985	Barone	D13/110
D354,267 S *	1/1995	Severinsky	D13/110
D377,335 S *	1/1997	Katooka et al.	D13/110
D417,650 S *	12/1999	Maiorano	D13/110
D559,777 S *	1/2008	Hu et al.	D13/110
D569,341 S *	5/2008	Aglassinger	D13/110
D615,035 S *	5/2010	Farris-Gilbert	D13/110
D668,221 S *	10/2012	McKune et al.	
D670,245 S *	11/2012	Du	D13/110

(73) Assignee: **Radyne Corporation**, Milwaukee, WI
(US)

* cited by examiner

(**) Term: **14 Years**

Primary Examiner — Derrick Holland

(21) Appl. No.: **29/448,860**

(74) *Attorney, Agent, or Firm* — Philip O. Post

(22) Filed: **Mar. 14, 2013**

(57) **CLAIM**

(51) **LOC (10) Cl.** **13-02**

The ornamental design for an electric induction power supply, substantially as shown and described.

(52) **U.S. Cl.**
USPC **D13/110**

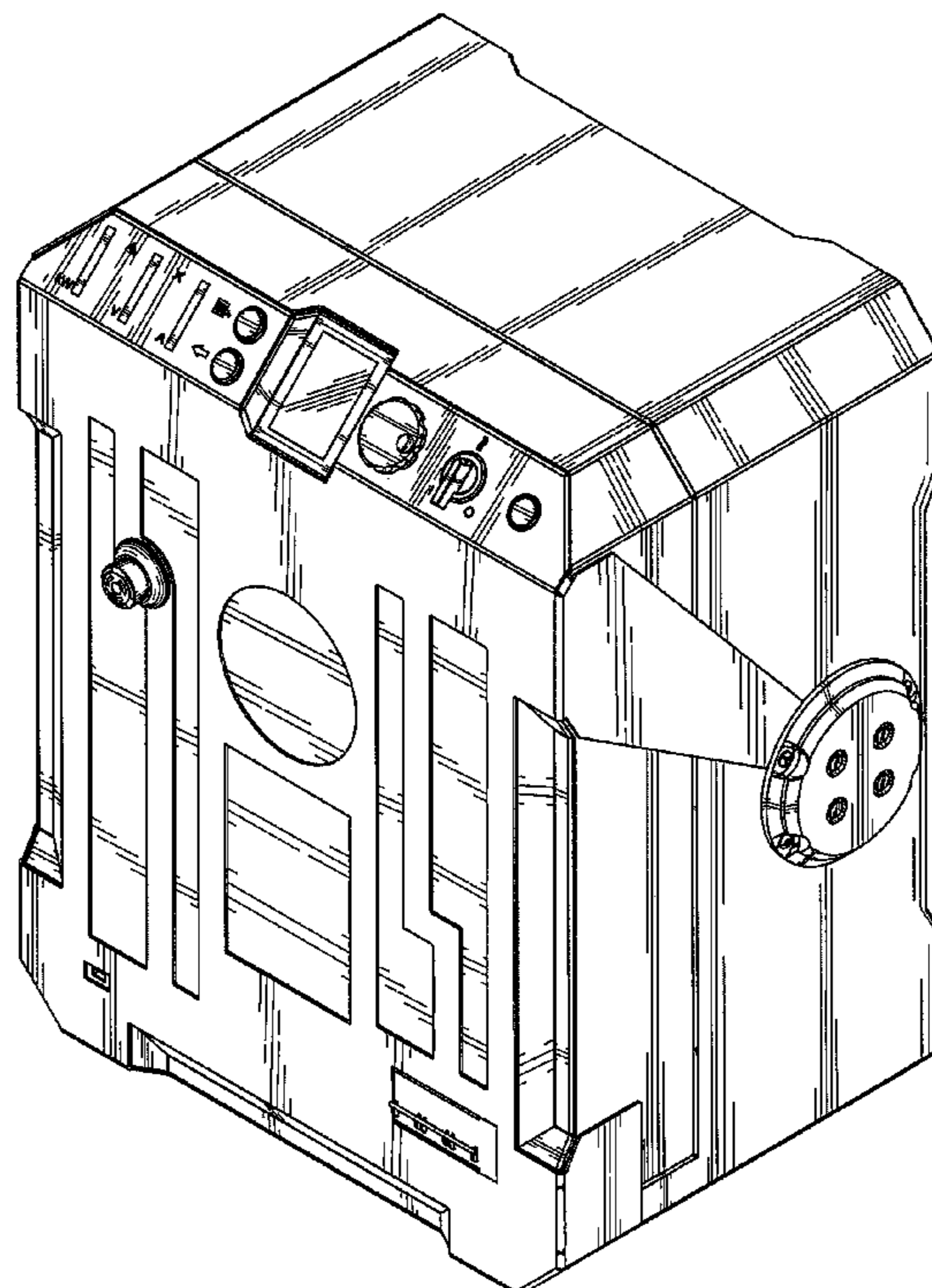
DESCRIPTION

(58) **Field of Classification Search**
USPC D13/110, 101, 102, 103, 107, 108, 118,
D13/119, 123, 184, 199; 307/62, 82, 109,
307/150, 151; 320/104, 107, 111, 112, 113,
320/115, 132, 134, 150; 361/600, 601, 623;
429/96, 97, 98, 99, 100, 163, 170, 176

FIG. 1 is a front perspective view of the electric induction power supply;
FIG. 2 is a back perspective view thereof;
FIG. 3 is a front elevation view thereof;
FIG. 4 is a rear elevation view thereof;
FIG. 5 is a top plan view thereof;
FIG. 6 is a bottom plan view thereof;
FIG. 7 is a left elevation view thereof; and,
FIG. 8 is a right elevation view thereof.

See application file for complete search history.

1 Claim, 8 Drawing Sheets



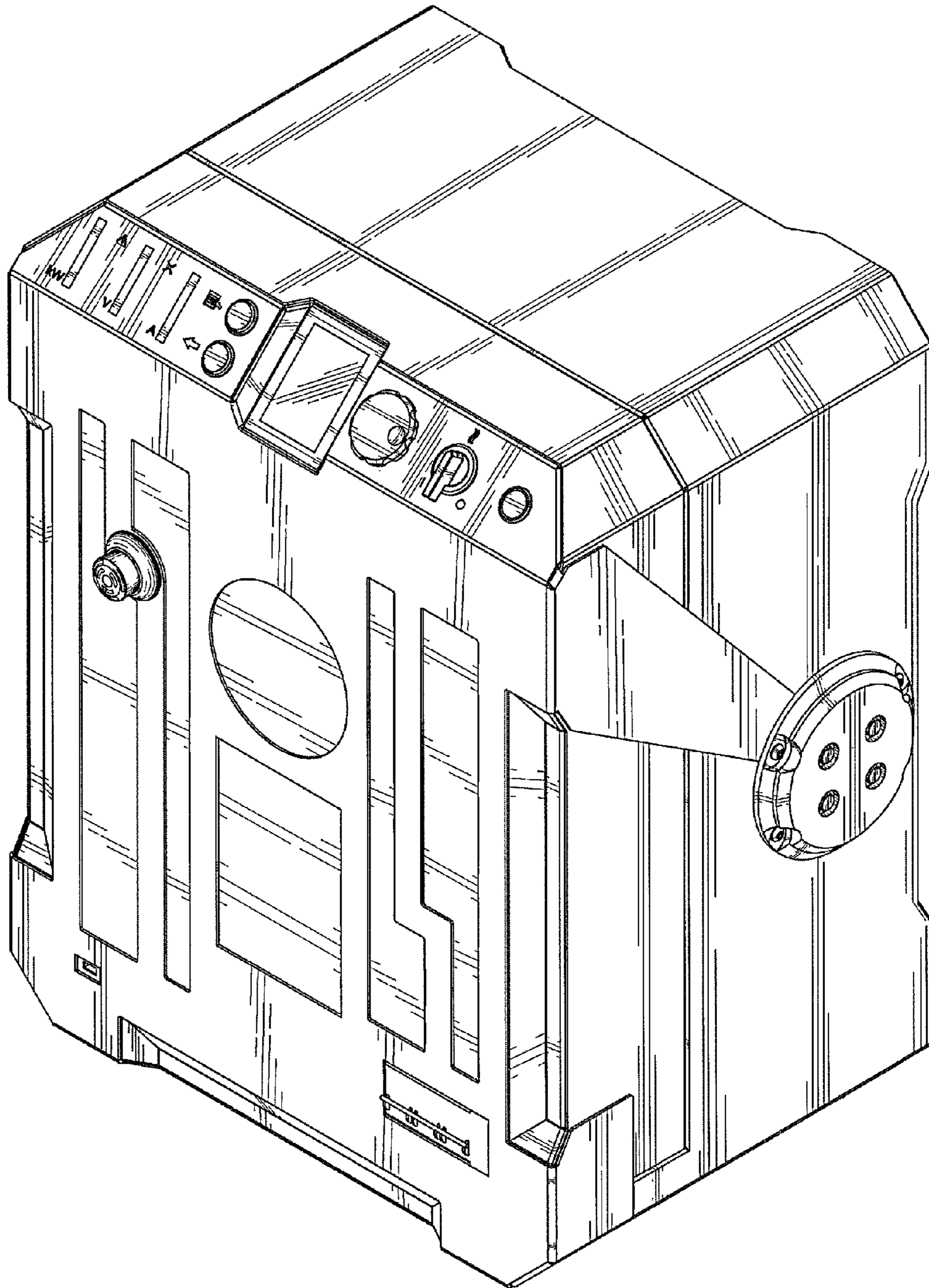


FIG. 1

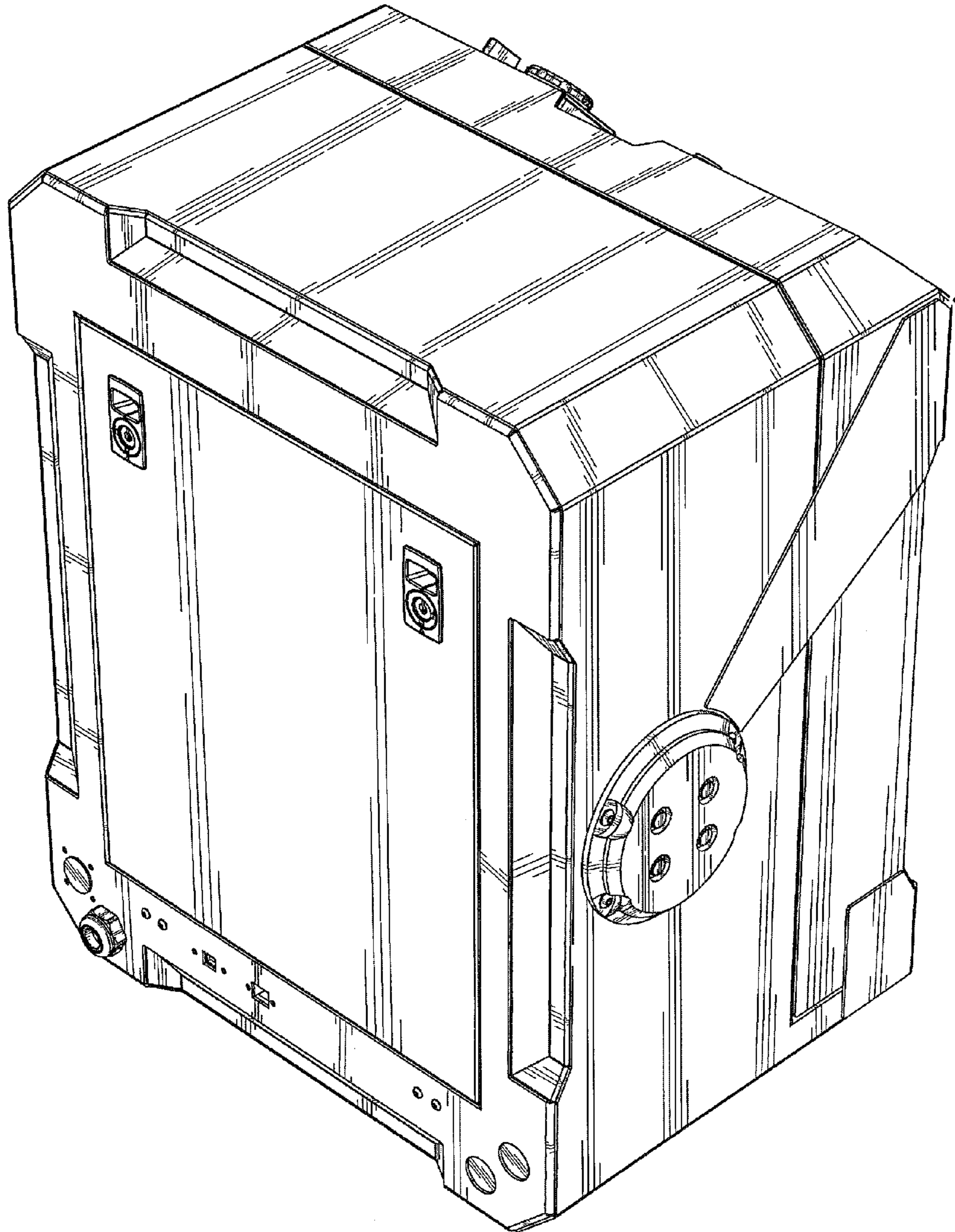


FIG. 2

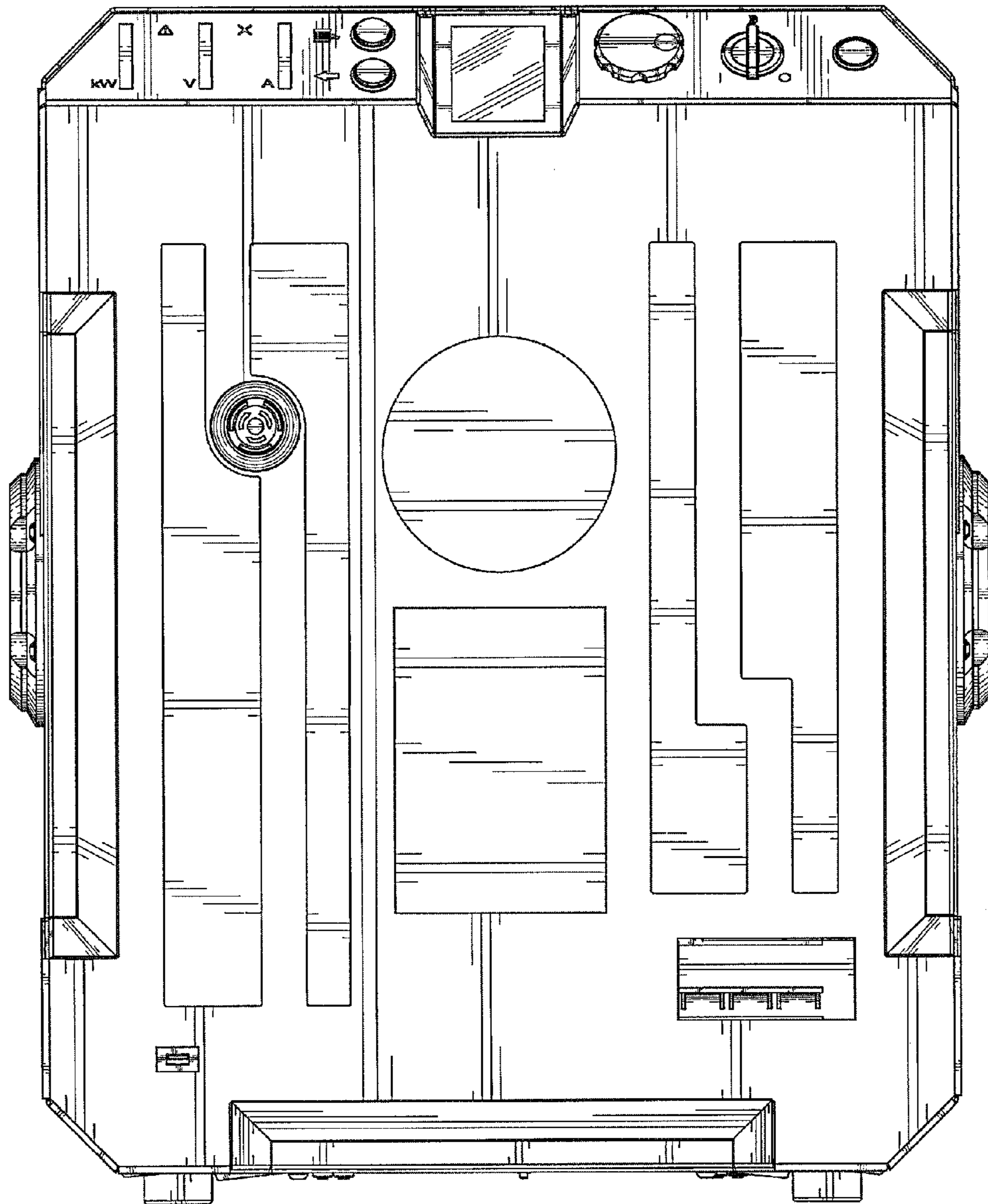


FIG. 3

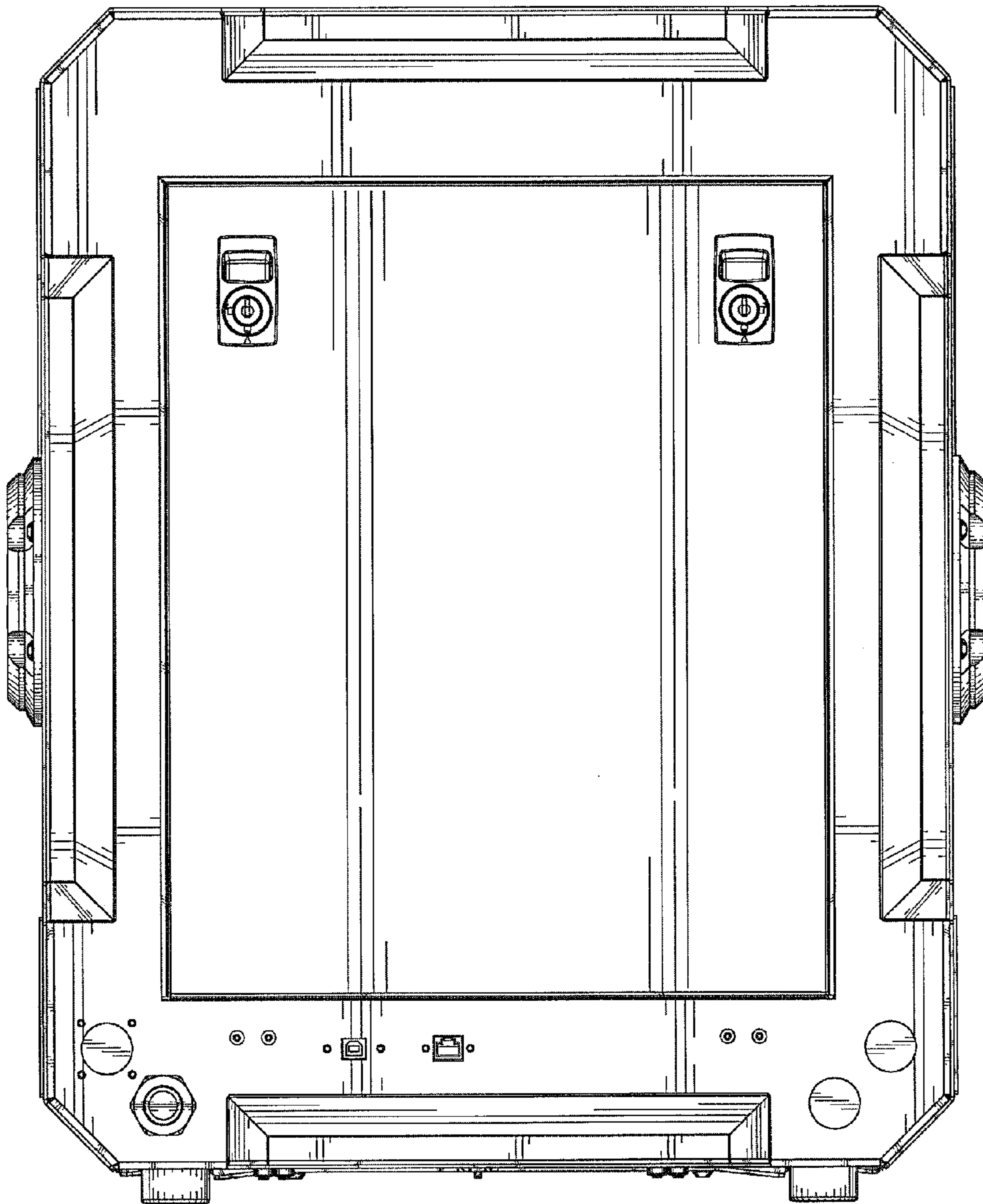


FIG. 4

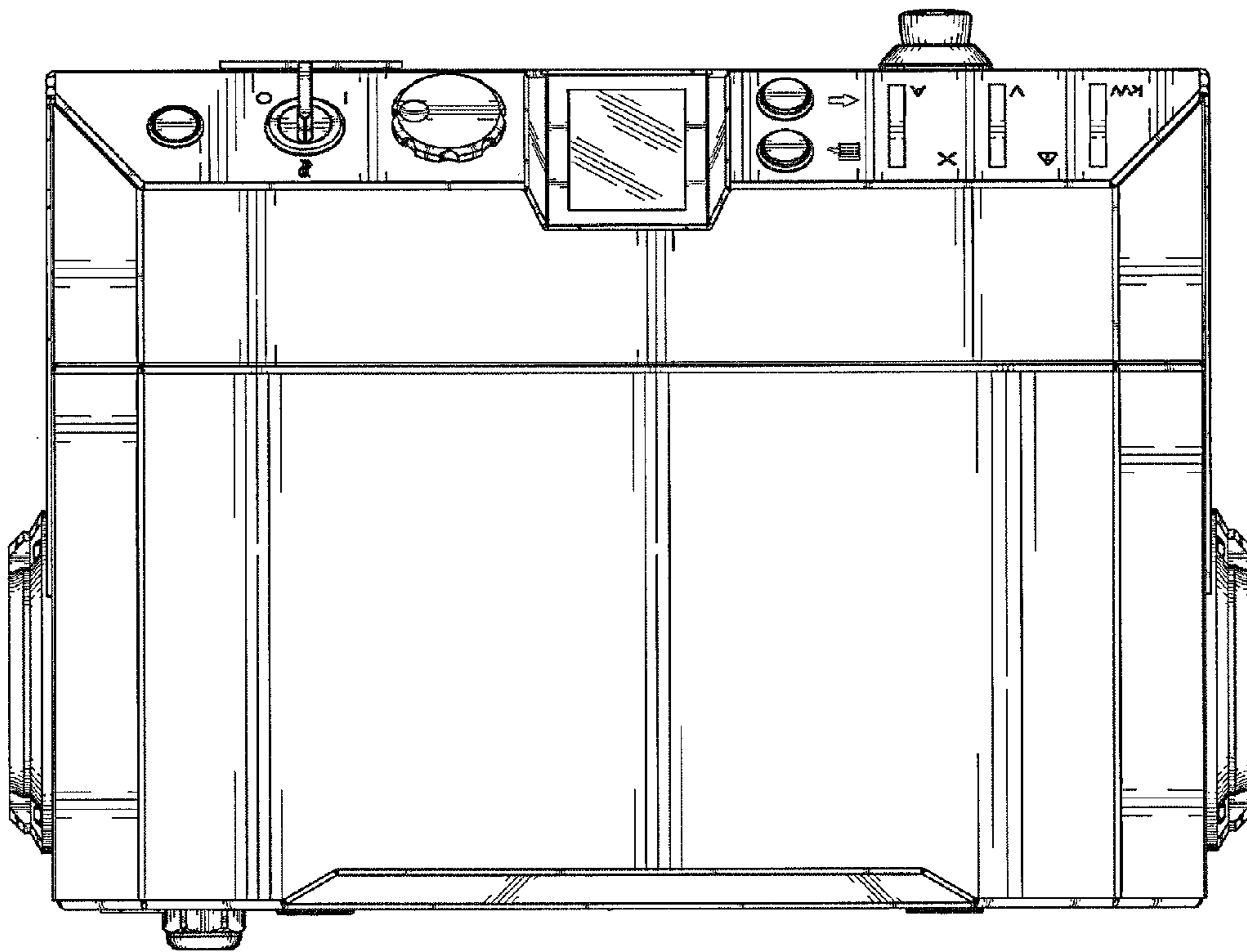


FIG. 5

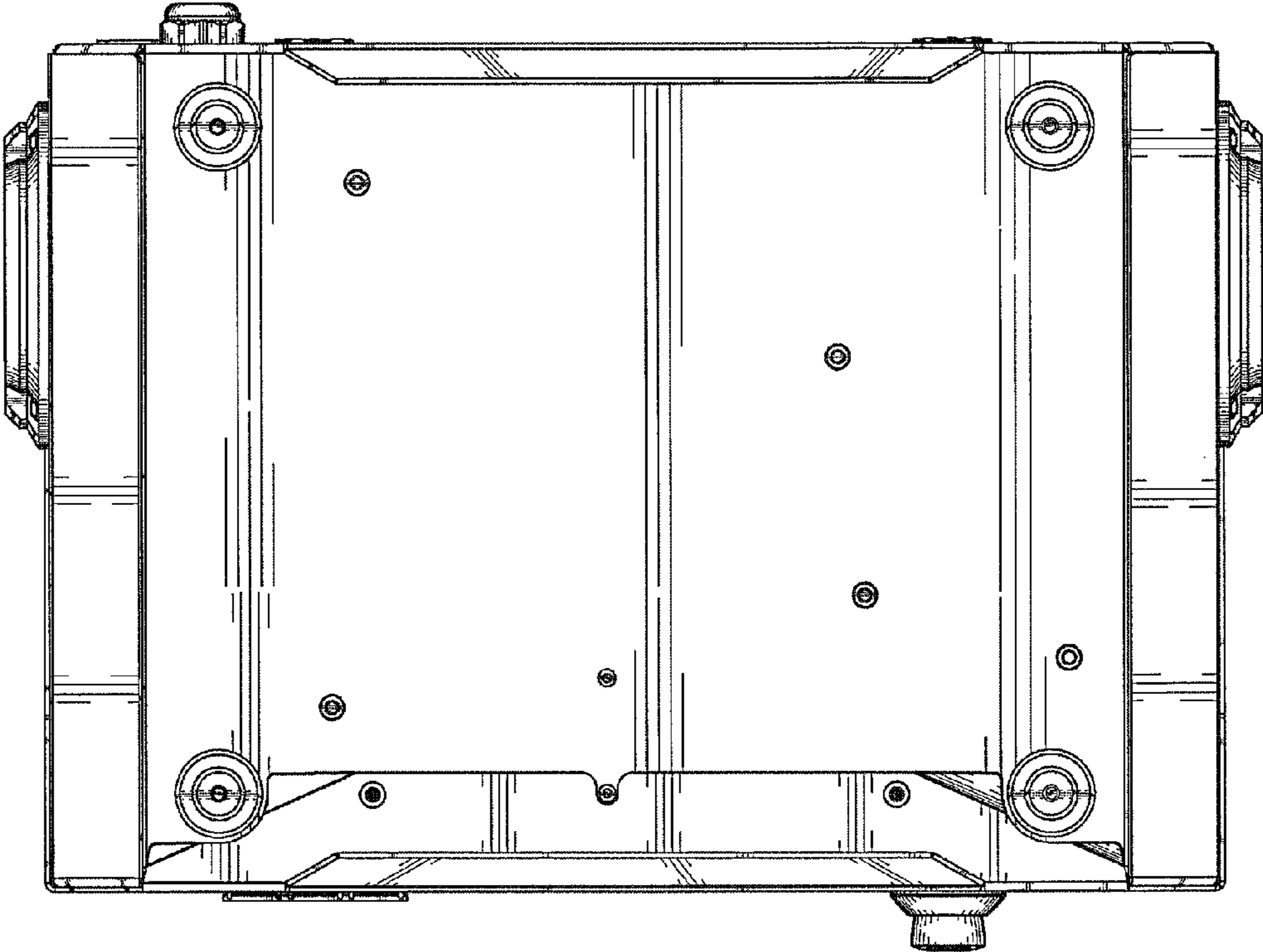


FIG. 6

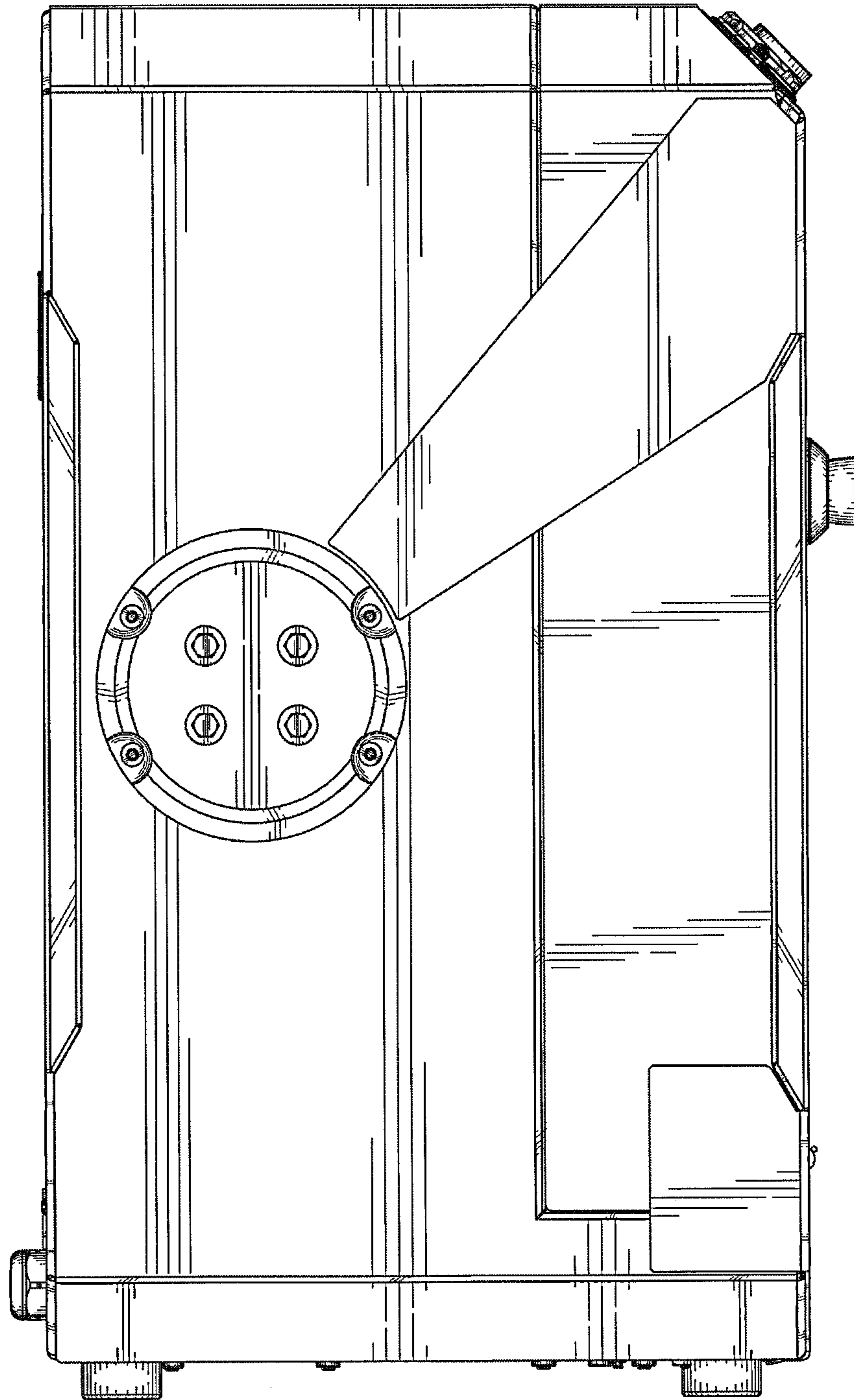


FIG. 7

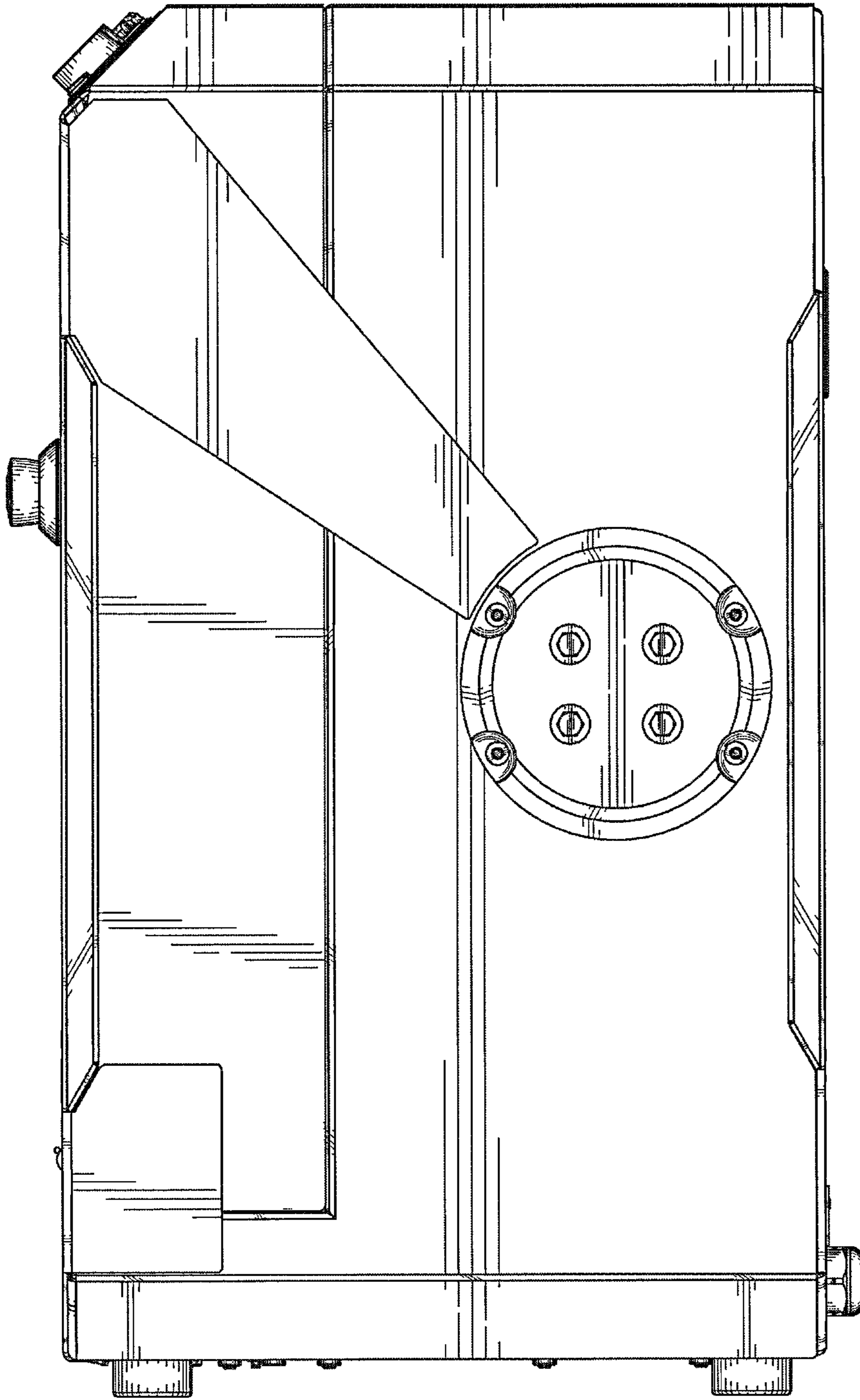


FIG. 8