



US00D706215S

(12) **United States Design Patent**  
**Nakahira et al.**

(10) **Patent No.:** **US D706,215 S**  
(45) **Date of Patent:** **\*\* Jun. 3, 2014**

(54) **INVERTER**

(71) Applicants: **Takashi Nakahira**, Tokyo (JP);  
**Toshihisa Ogura**, Tokyo (JP)

(72) Inventors: **Takashi Nakahira**, Tokyo (JP);  
**Toshihisa Ogura**, Tokyo (JP)

(73) Assignee: **Mitsubishi Electric Corporation**,  
Tokyo (JP)

(\*\*) Term: **14 Years**

(21) Appl. No.: **29/438,346**

(22) Filed: **Nov. 29, 2012**

(30) **Foreign Application Priority Data**

Aug. 28, 2012 (JP) ..... 2012-020614

(51) **LOC (10) Cl.** ..... **13-02**

(52) **U.S. Cl.**  
USPC ..... **D13/110**

(58) **Field of Classification Search**  
USPC ..... D13/110, 101, 123, 184, 199;  
307/150-152; 361/600, 601, 622, 702,  
361/703, 730, 796, 809; 363/141, 142  
See application file for complete search history.

(56) **References Cited**

**U.S. PATENT DOCUMENTS**

4,620,263 A \* 10/1986 Ito ..... 361/690  
D298,824 S \* 12/1988 Kondo et al. .... D13/110  
5,497,289 A \* 3/1996 Sugishima et al. .... 361/709

D372,017 S \* 7/1996 Suematsu et al. .... D13/110  
D376,785 S \* 12/1996 Ikeda et al. .... D13/110  
D379,963 S \* 6/1997 Ikeda et al. .... D13/110  
D380,193 S \* 6/1997 Yamaguchi et al. .... D13/110  
6,239,986 B1 \* 5/2001 Otsuka ..... 361/796  
D449,817 S \* 10/2001 Takeuchi et al. .... D13/110  
D455,399 S \* 4/2002 Imamura et al. .... D13/110  
D455,714 S \* 4/2002 Kim ..... D13/110  
D502,916 S \* 3/2005 Higuchi et al. .... D13/110  
D558,141 S \* 12/2007 Kwon ..... D13/110  
D562,234 S \* 2/2008 Morihara et al. .... D13/110  
D563,316 S \* 3/2008 Higuchi ..... D13/110

\* cited by examiner

*Primary Examiner* — Derrick Holland

(74) *Attorney, Agent, or Firm* — Sughrue Mion, PLLC

(57) **CLAIM**

The ornamental design for an inverter, as shown and described.

**DESCRIPTION**

FIG. 1 is a perspective view of front, right and top side of an inverter showing our new design;  
FIG. 2 is a perspective view of rear, left and bottom side  
FIG. 3 is a front view thereof;  
FIG. 4 is a rear view thereof;  
FIG. 5 is a left side view thereof;  
FIG. 6 is a right side view thereof,  
FIG. 7 is a top view thereof; and,  
FIG. 8 is a bottom view thereof.

The broken lines shown represent unclaimed subject matter and form no part of the claimed design.

**1 Claim, 8 Drawing Sheets**

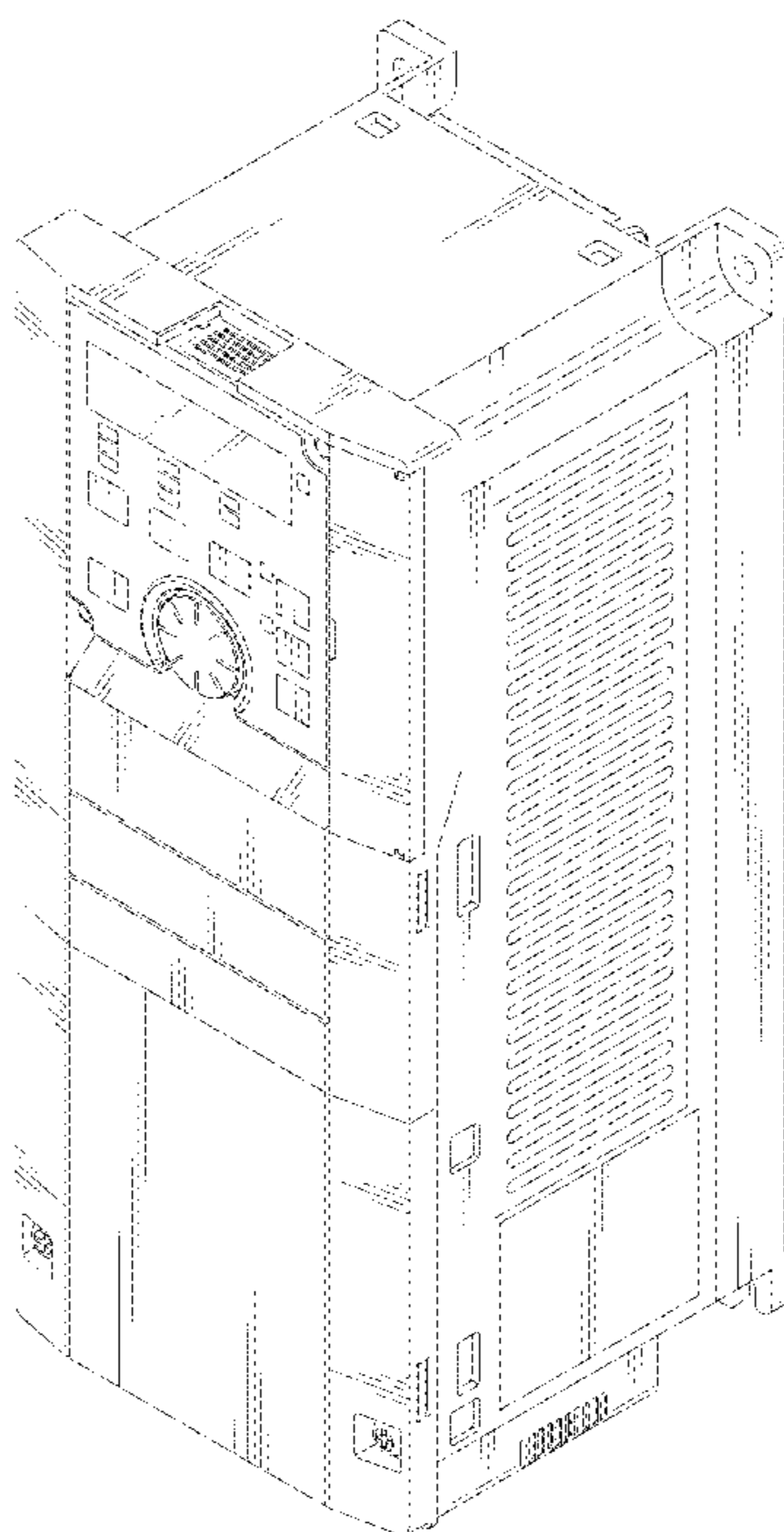


Fig. 1

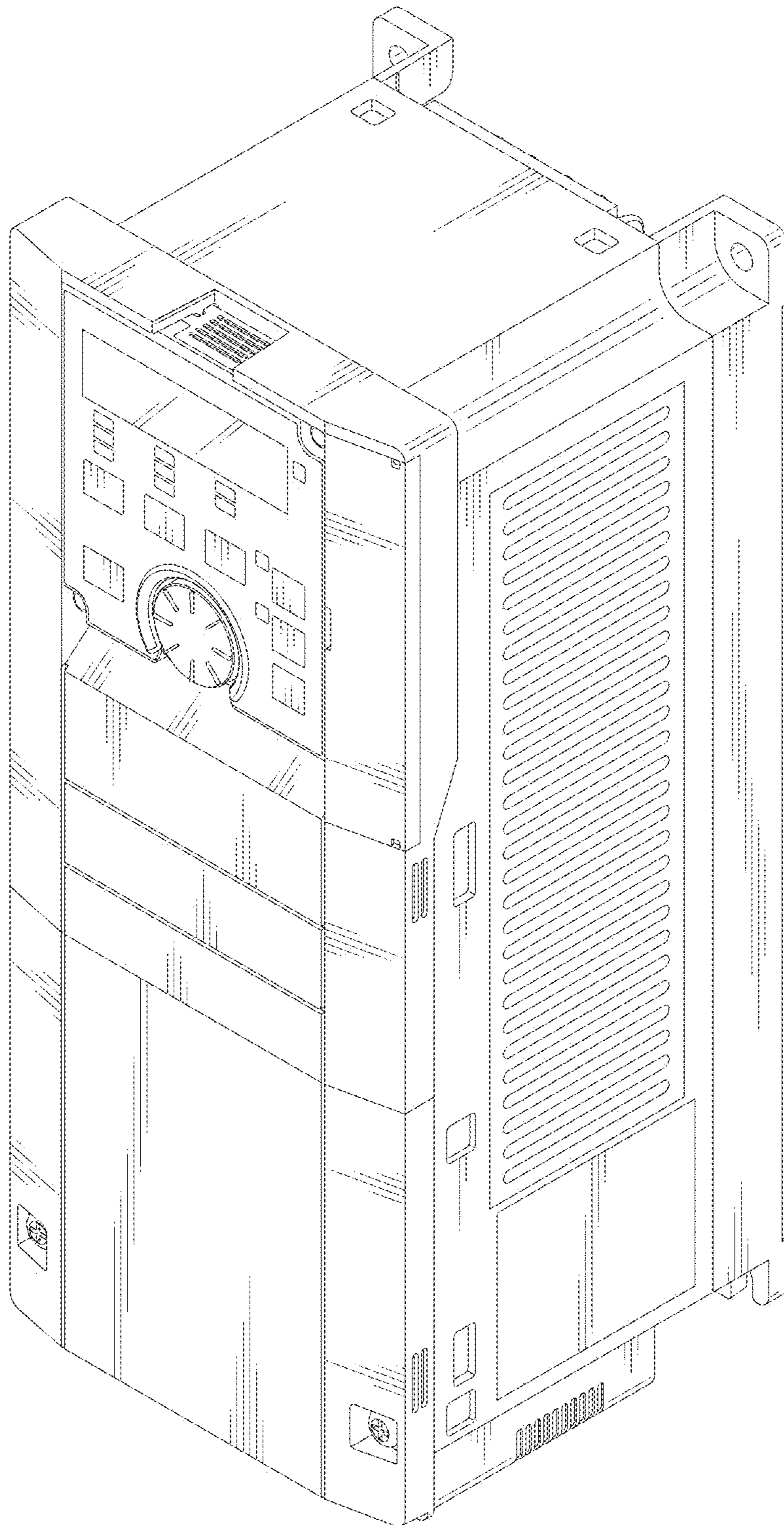


Fig. 2

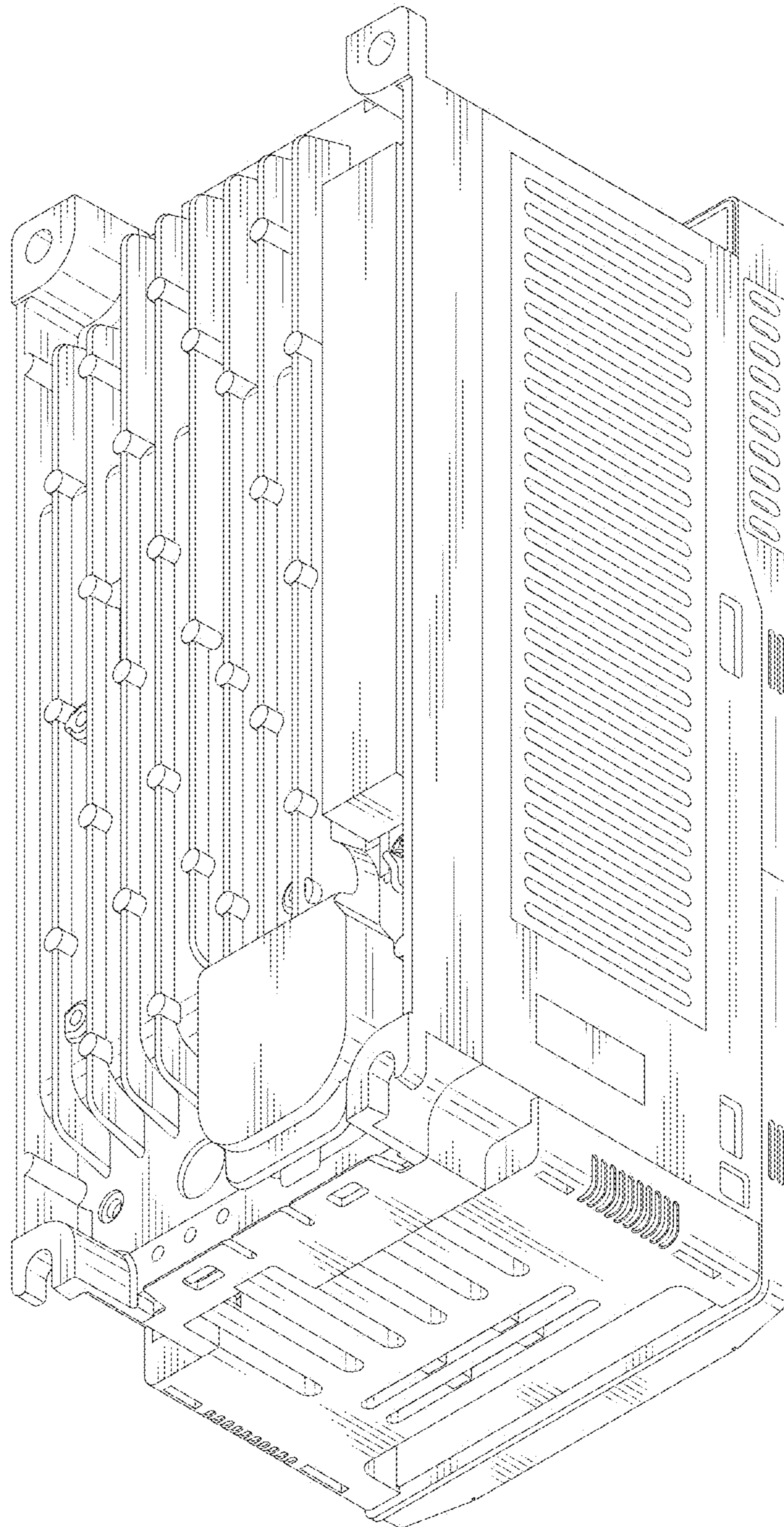


Fig. 3

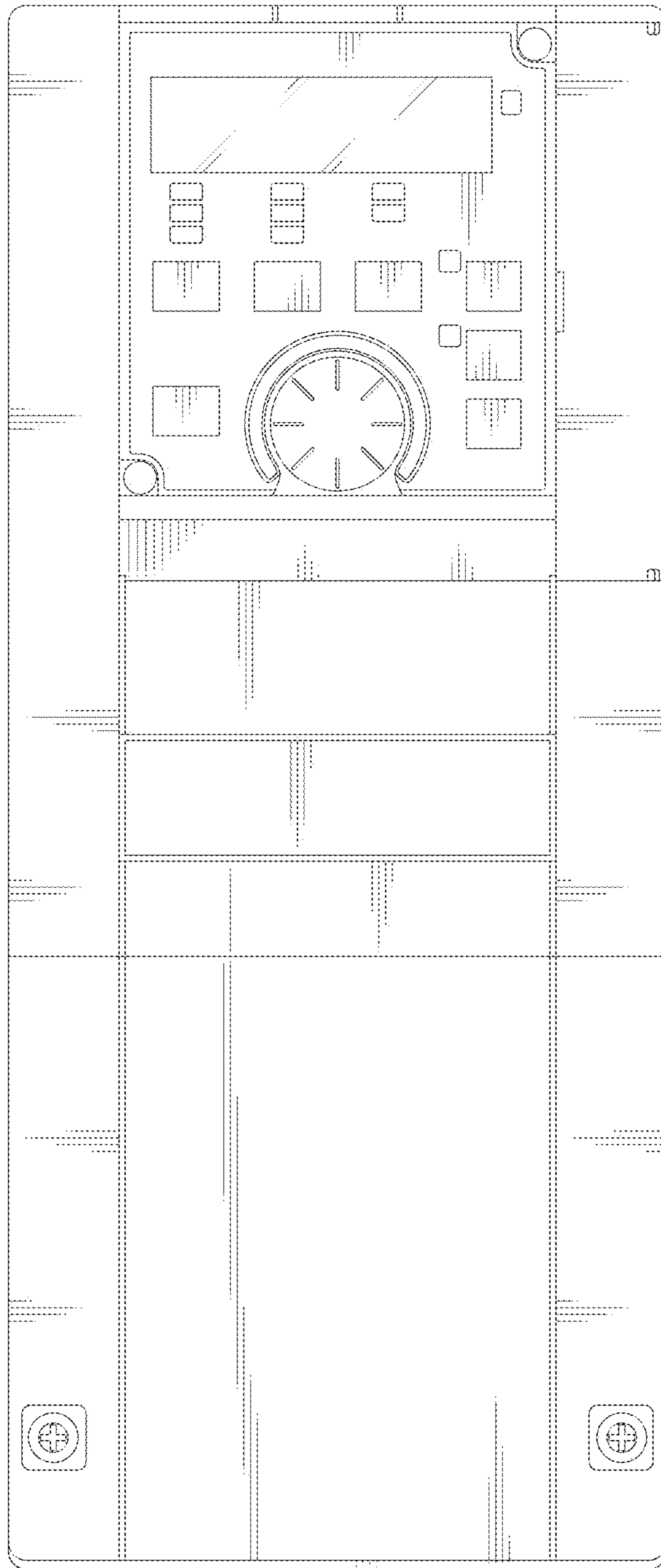


Fig. 4

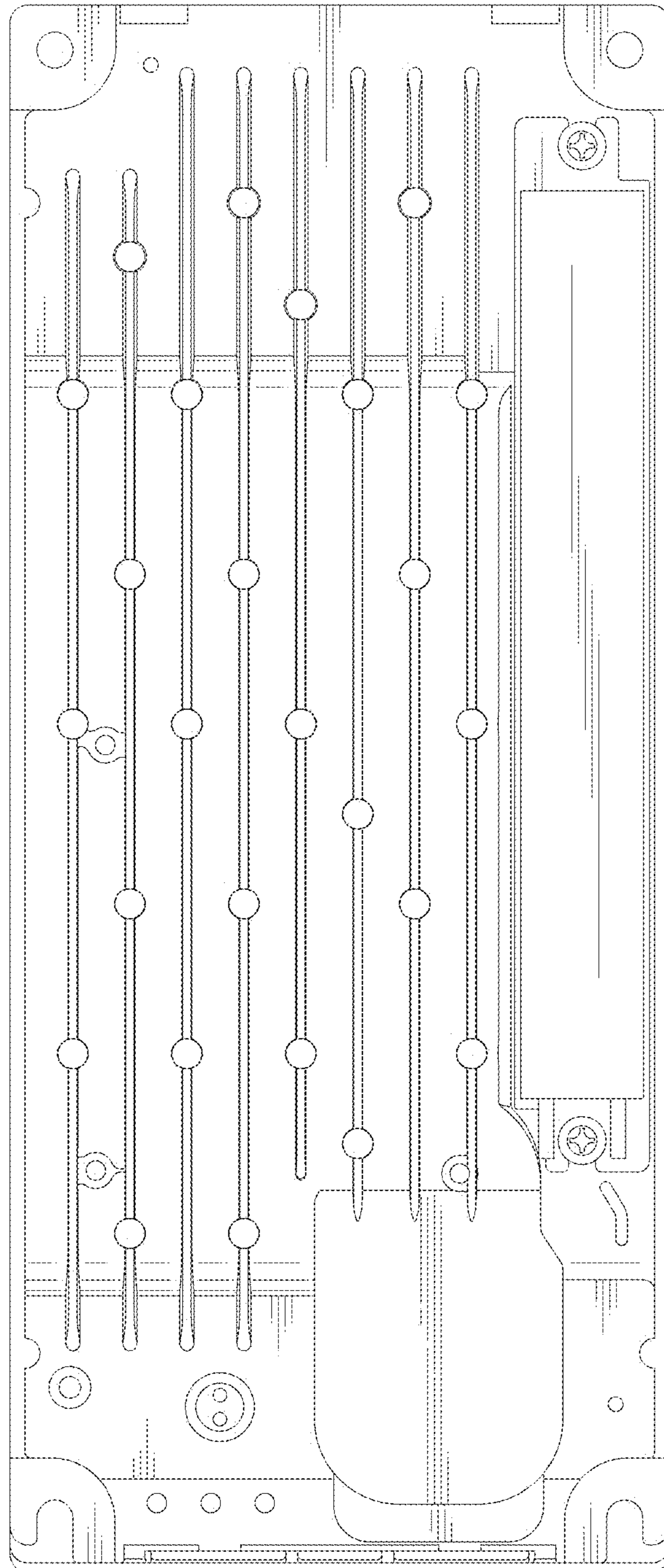


Fig. 5

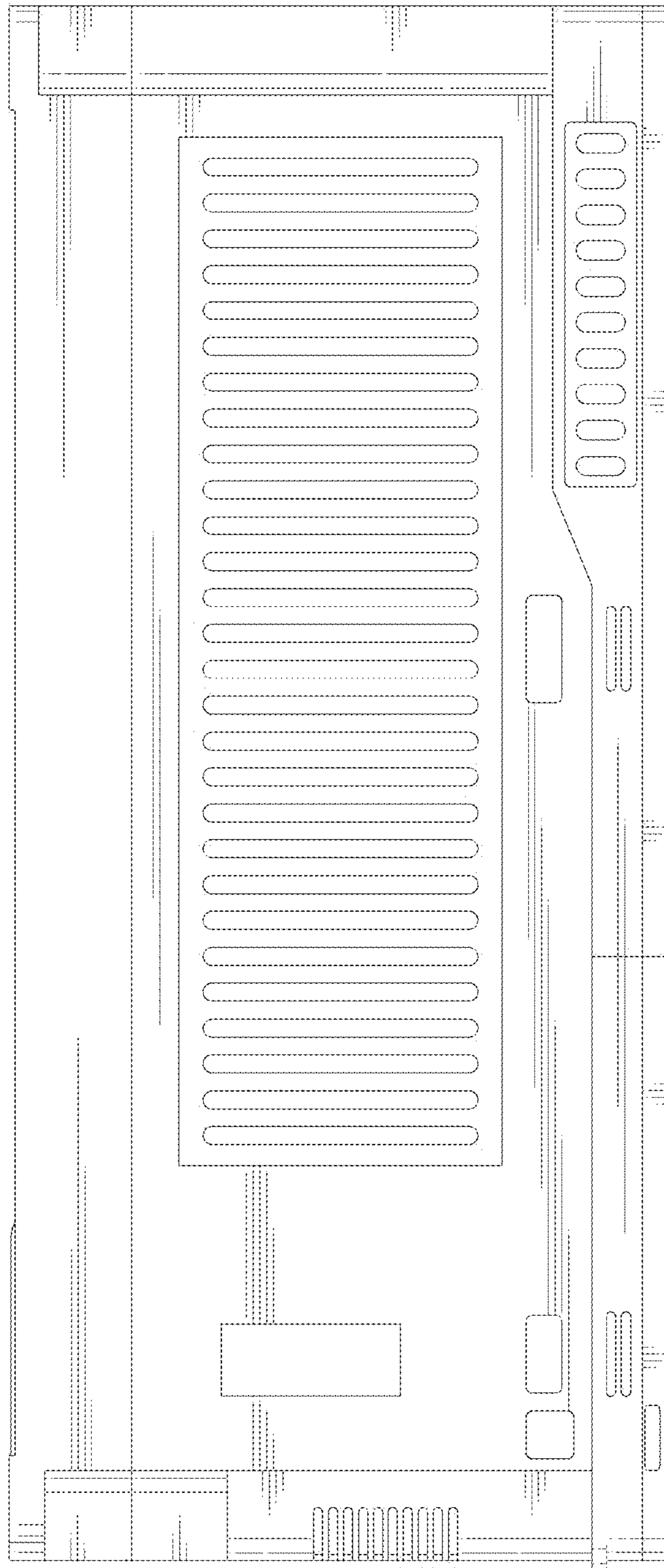


Fig. 6

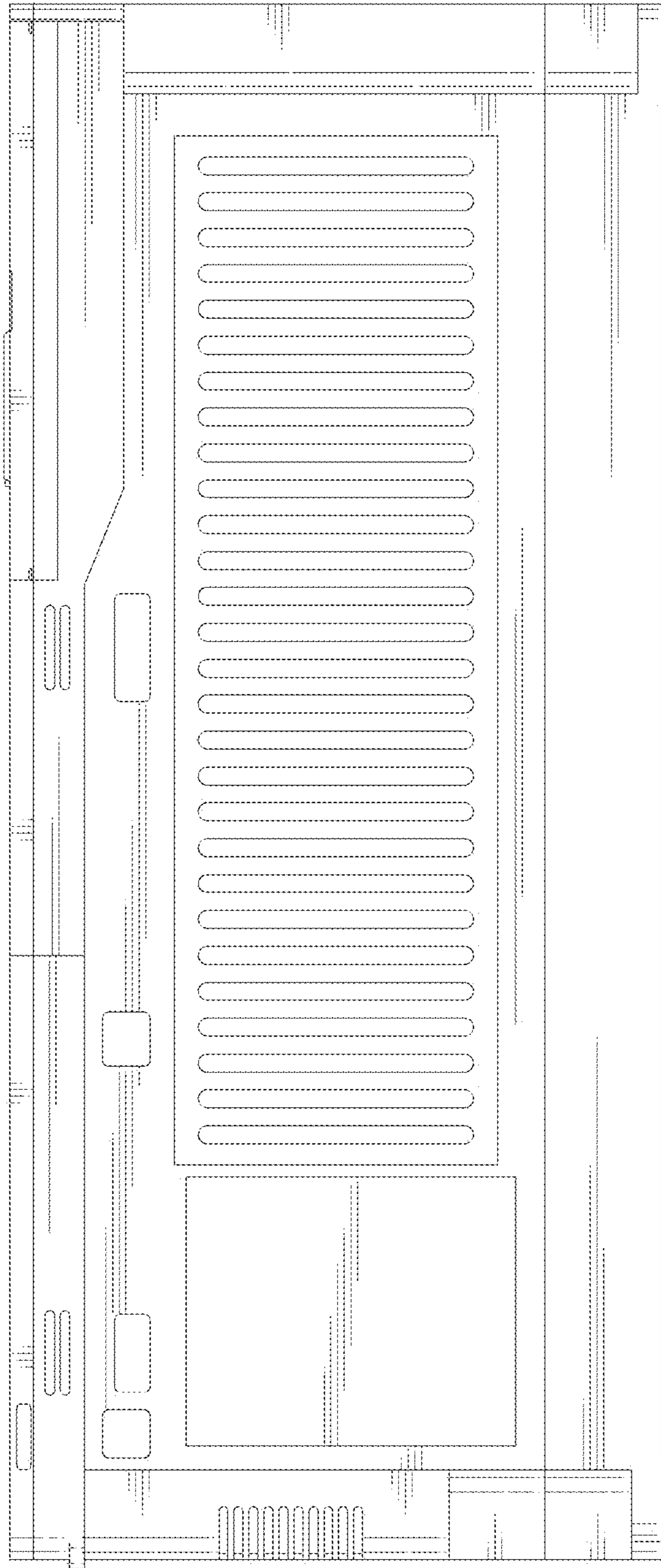


Fig. 7

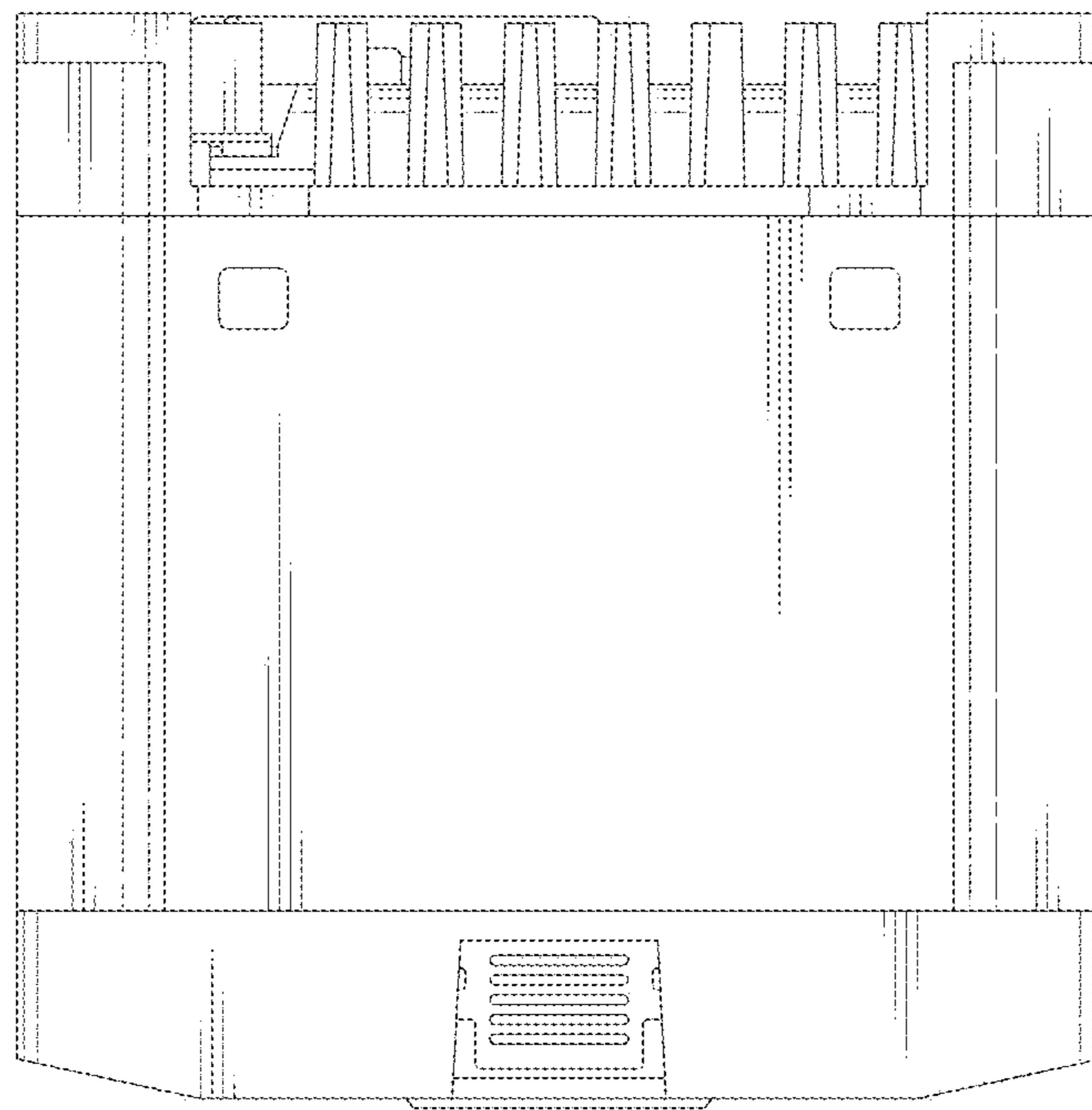




Fig. 8

