



US00D706213S

(12) **United States Design Patent**
Titus

(10) **Patent No.:** **US D706,213 S**
(45) **Date of Patent:** **** Jun. 3, 2014**

- (54) **ELECTRIC CHARGER**
- (75) Inventor: **Solomon R. Titus**, Cumming, GA (US)
- (73) Assignee: **Siemens Industry, Inc.**, Alpharetta, GA (US)
- (**) Term: **14 Years**
- (21) Appl. No.: **29/397,047**
- (22) Filed: **Jul. 11, 2011**
- (51) **LOC (10) Cl.** **13-02**
- (52) **U.S. Cl.**
USPC **D13/107**
- (58) **Field of Classification Search**
USPC D13/107-110, 118-119, 184, 199;
320/103-115; D15/9
See application file for complete search history.

D634,267 S *	3/2011	Blain	D13/107
D641,694 S *	7/2011	Akahori et al.	D13/107
2011/0145141 A1 *	6/2011	Blain	705/39
2011/0169447 A1 *	7/2011	Brown et al.	320/109

* cited by examiner

Primary Examiner — Rosemary K Tarcza

(57) **CLAIM**
The ornamental design for an electric charger, as shown and described.

DESCRIPTION

The file of this patent contains at least one drawing executed in color. Copies of this patent with color drawing(s) will be provided upon request and payment of the necessary fee.

FIG. 1 is a perspective view of a new design for an electric charger;

FIG. 2 is a front elevation view thereof;

FIG. 3 is a right side elevation view thereof, the left side being a mirror image thereof;

FIG. 4 is a rear elevation view thereof;

FIG. 5 is a top elevation view thereof; and,

FIG. 6 is a bottom elevation view thereof.

1 Claim, 6 Drawing Sheets
(6 of 6 Drawing Sheet(s) Filed in Color)

- (56) **References Cited**
U.S. PATENT DOCUMENTS
- | | | | | |
|----------------|---------|---------------|-------|---------|
| D257,882 S * | 1/1981 | Rawson et al. | | D24/186 |
| 6,366,050 B2 * | 4/2002 | Kajiura | | 320/108 |
| D626,063 S * | 10/2010 | Cutter et al. | | D13/107 |
| D632,645 S * | 2/2011 | Blain | | D13/107 |

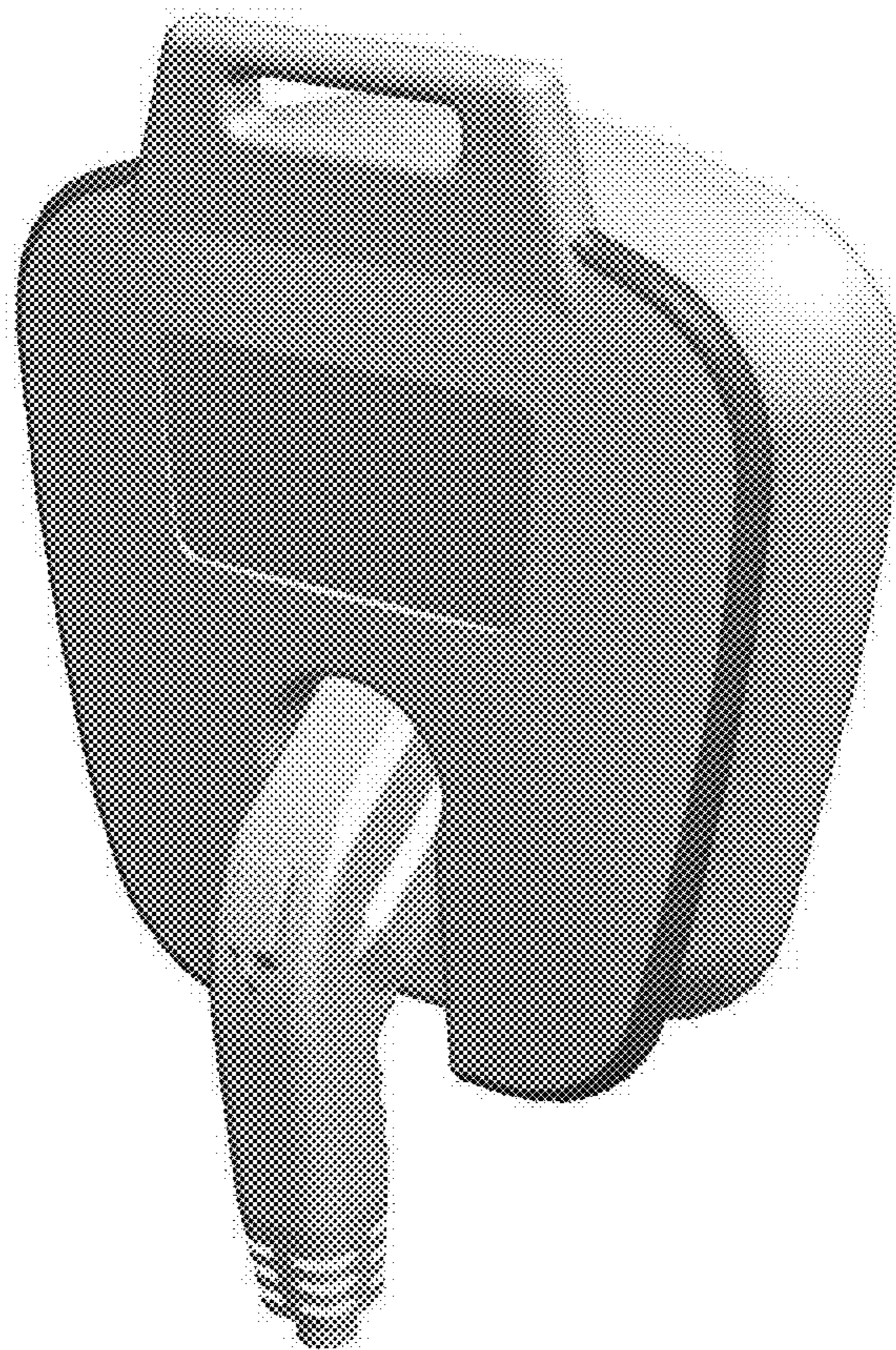




FIG. 1

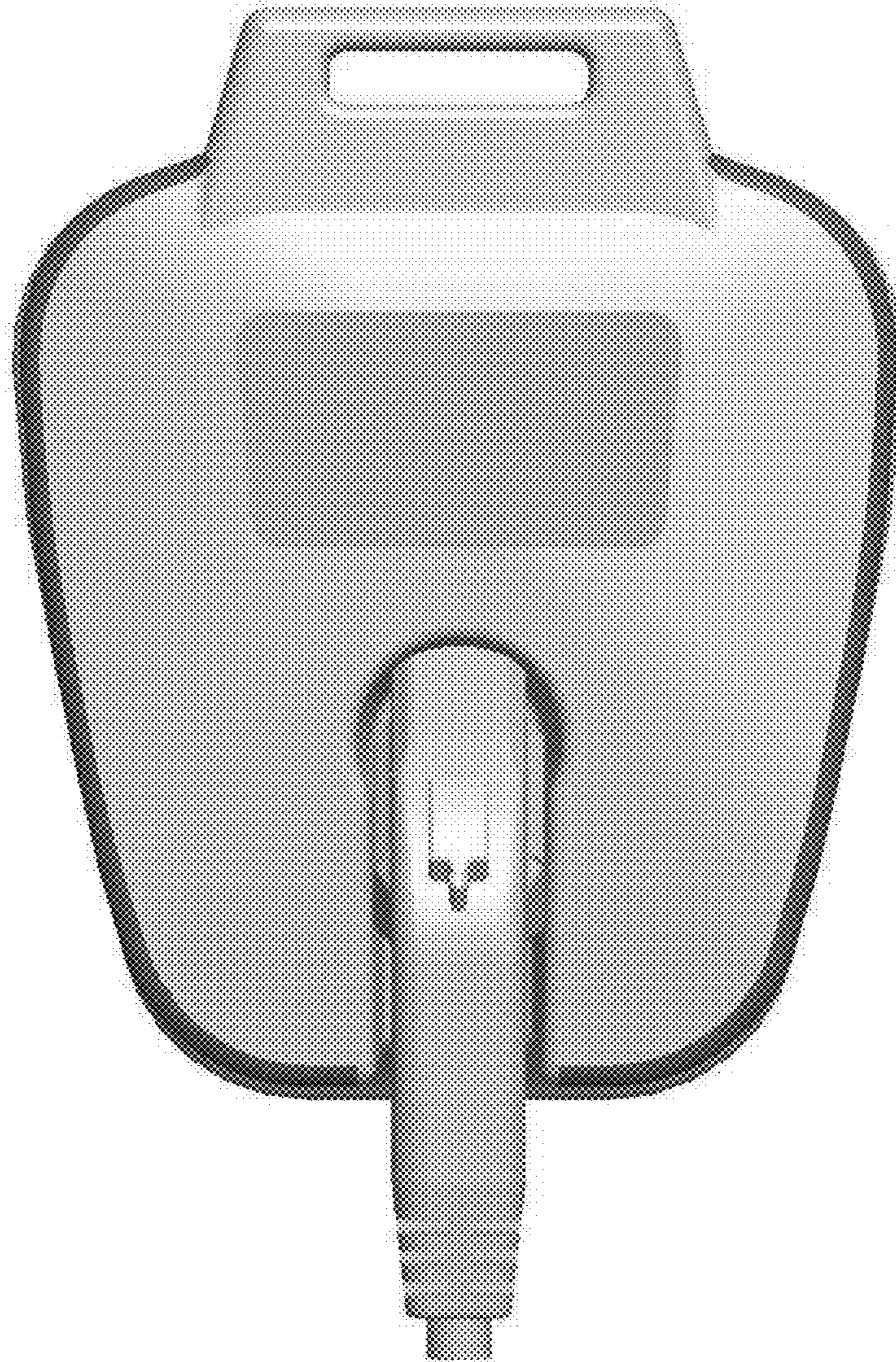


FIG. 2

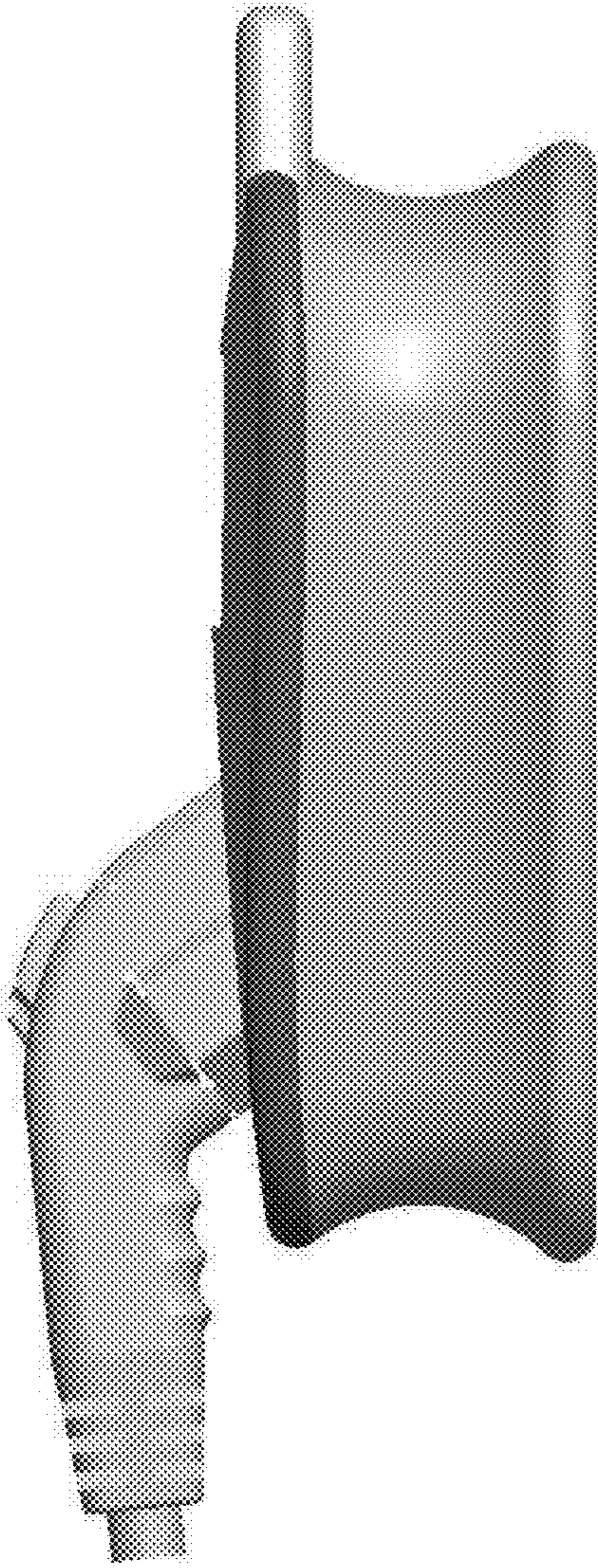


FIG. 3



FIG. 4

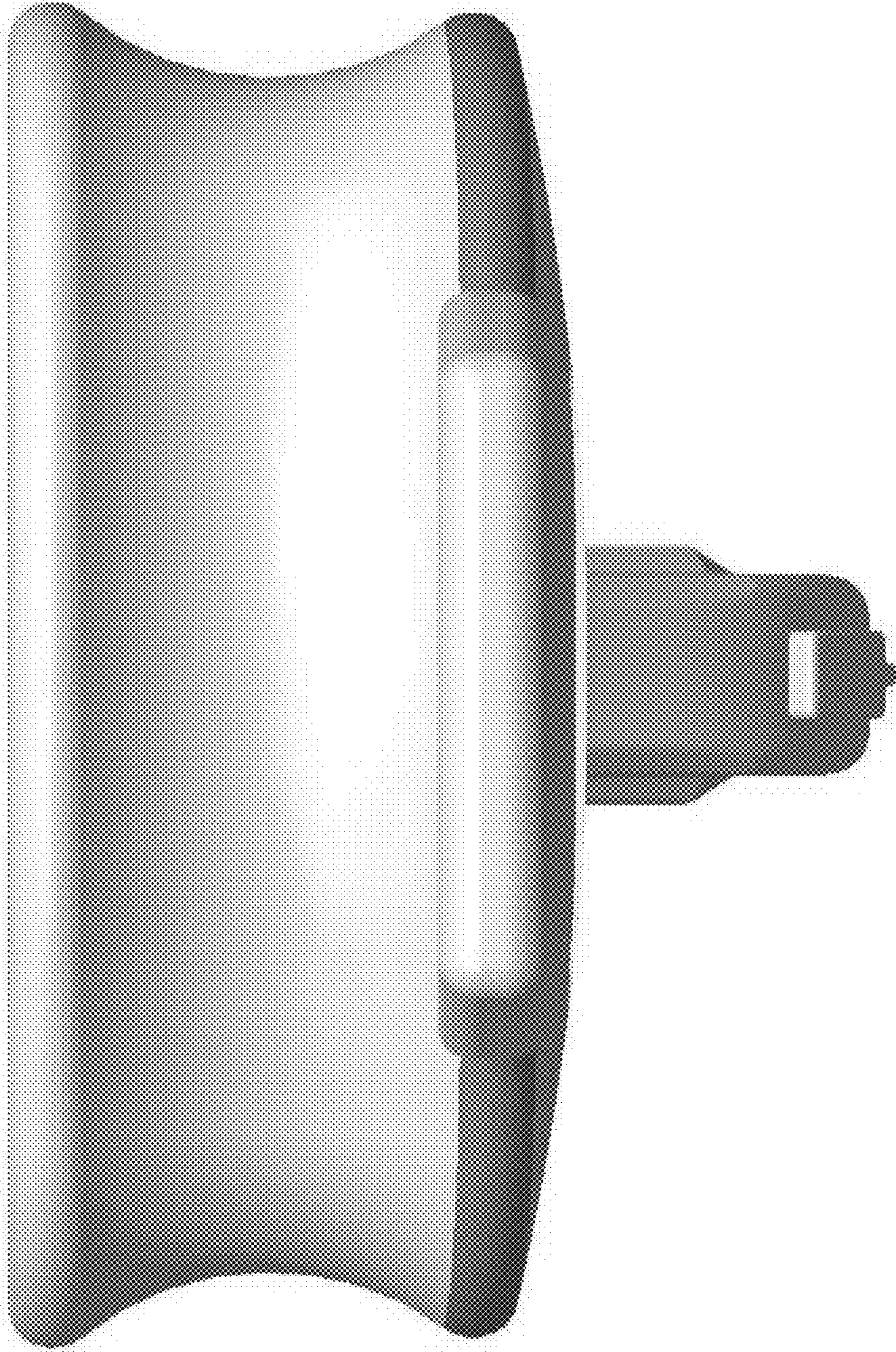


FIG. 5

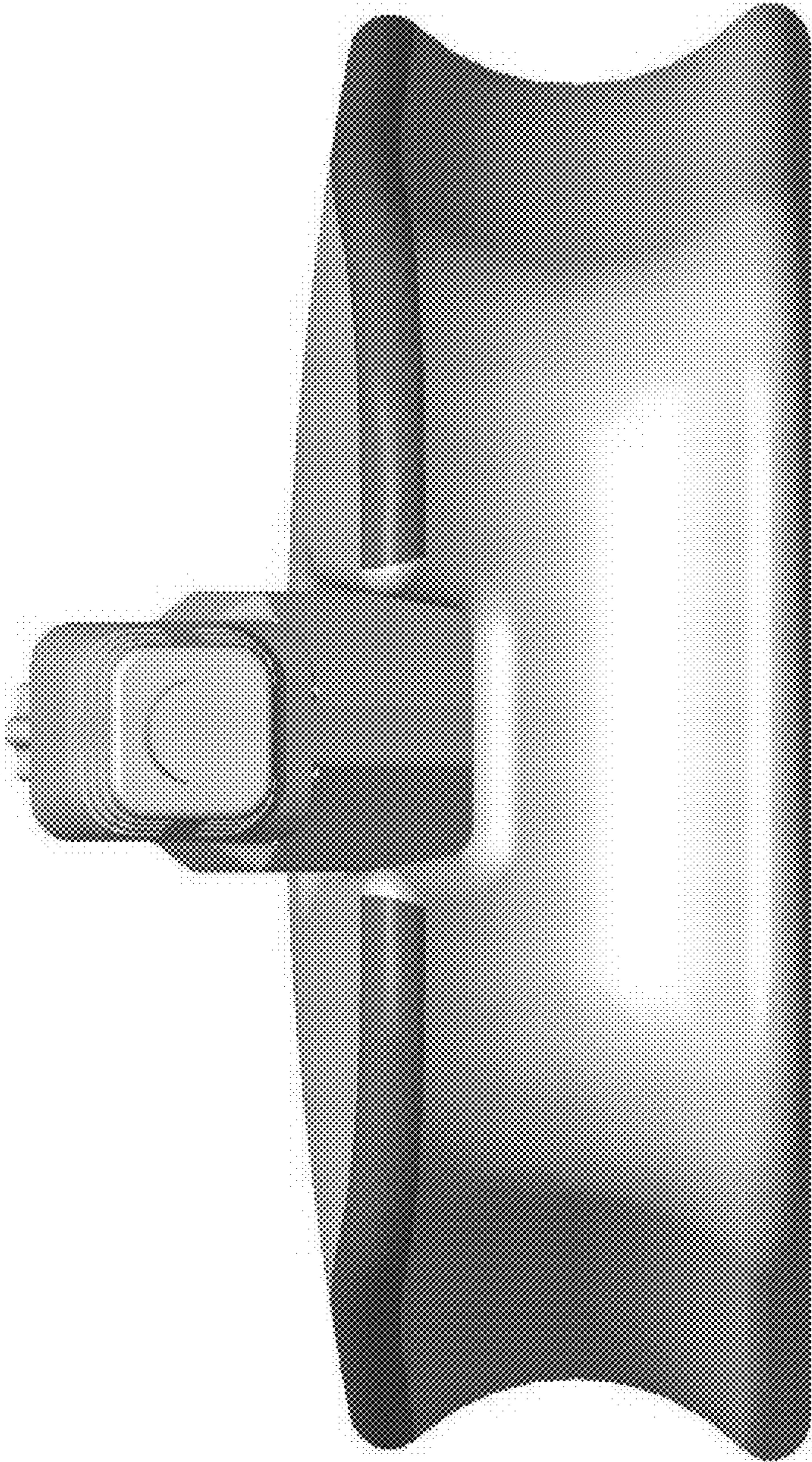


FIG. 6