



US00D706212S

(12) **United States Design Patent**
Zwierstra et al.

(10) **Patent No.:** **US D706,212 S**
(45) **Date of Patent:** **** Jun. 3, 2014**

(54) **VEHICLE BATTERY RECHARGING STATION**

(75) Inventors: **Jan Brian Zwierstra**, San Pedro, CA (US); **Trevor Wayne Dunlop**, Long Beach, CA (US)

(73) Assignee: **Evatran Group, Inc.**, Wytheville, VA (US)

(**) Term: **14 Years**

(21) Appl. No.: **29/387,294**

(22) Filed: **Mar. 11, 2011**

(51) **LOC (10) Cl.** **13-02**

(52) **U.S. Cl.**
USPC **D13/107**

(58) **Field of Classification Search**
USPC D13/107–110, 118–119, 184, 199;
D14/217, 251, 253, 432, 434;
320/107–115

See application file for complete search history.

(56) **References Cited**

U.S. PATENT DOCUMENTS

D394,425 S *	5/1998	Snyder et al.	D13/118
D411,507 S *	6/1999	Reis et al.	D13/107
D433,994 S *	11/2000	Jobs et al.	D13/110
6,356,054 B1 *	3/2002	Herrmann	320/115
D459,299 S *	6/2002	Hughes et al.	D13/108
D508,458 S *	8/2005	Solland et al.	D13/108
D515,502 S *	2/2006	Wen	D13/108
D521,927 S *	5/2006	Franck et al.	D13/108
D527,704 S *	9/2006	Rodarte	D13/108
D546,280 S *	7/2007	Marchetto et al.	D13/107

D574,322 S *	8/2008	Fjellman	D13/108
D589,963 S *	4/2009	Sheba et al.	D14/434
D594,404 S *	6/2009	Kuo et al.	D13/107
D602,858 S *	10/2009	Ellis et al.	D13/108
D608,277 S *	1/2010	Cano et al.	D13/108
D609,636 S *	2/2010	Jensen	D13/108
7,782,012 B2 *	8/2010	Jo	320/115
D627,718 S *	11/2010	Houghton	D13/108
7,839,120 B2 *	11/2010	Elizalde Rodarte	320/115
D637,951 S *	5/2011	Perez	D13/108
2008/0174268 A1 *	7/2008	Koo et al.	320/109
2010/0207576 A1 *	8/2010	Elizalde Rodarte	320/115

* cited by examiner

Primary Examiner — Rosemary K Tarcza

(74) *Attorney, Agent, or Firm* — Leading Edge Law Group, PLC

(57) **CLAIM**

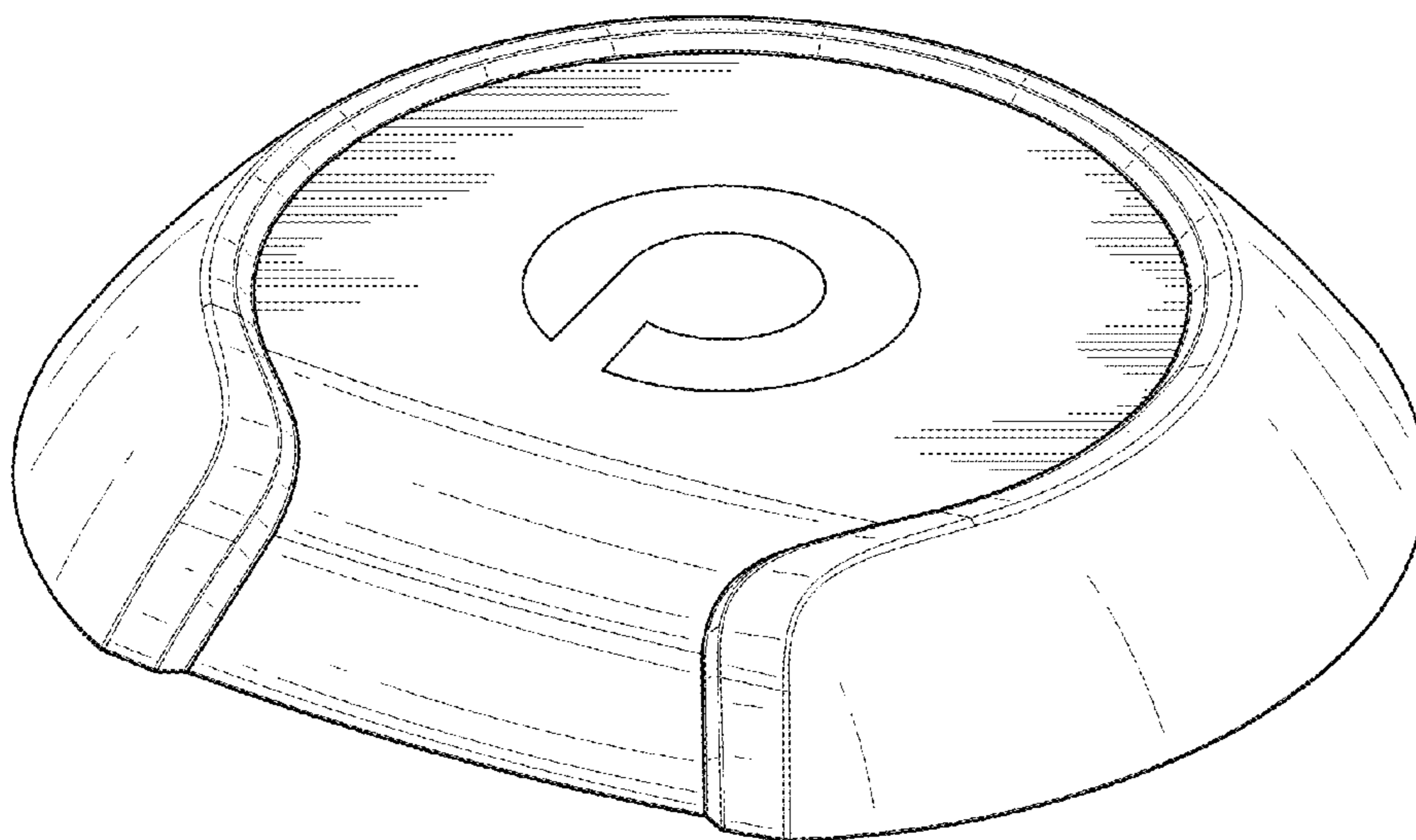
The ornamental design for a vehicle battery recharging station, as shown and described.

DESCRIPTION

FIG. 1 is a front perspective view of the vehicle battery recharging station illustrating our design; FIG. 2 is a front elevation view thereof; FIG. 3 is a rear elevation view thereof; FIG. 4 is a right side elevation view thereof; FIG. 5 is a left side elevation view thereof; FIG. 6 is a top elevation view thereof; and, FIG. 7 is a bottom elevation view thereof.

The broken lines in the drawings are for the purpose of illustrating the unclaimed portions of the vehicle battery recharging station and form no part of the claimed design.

1 Claim, 5 Drawing Sheets



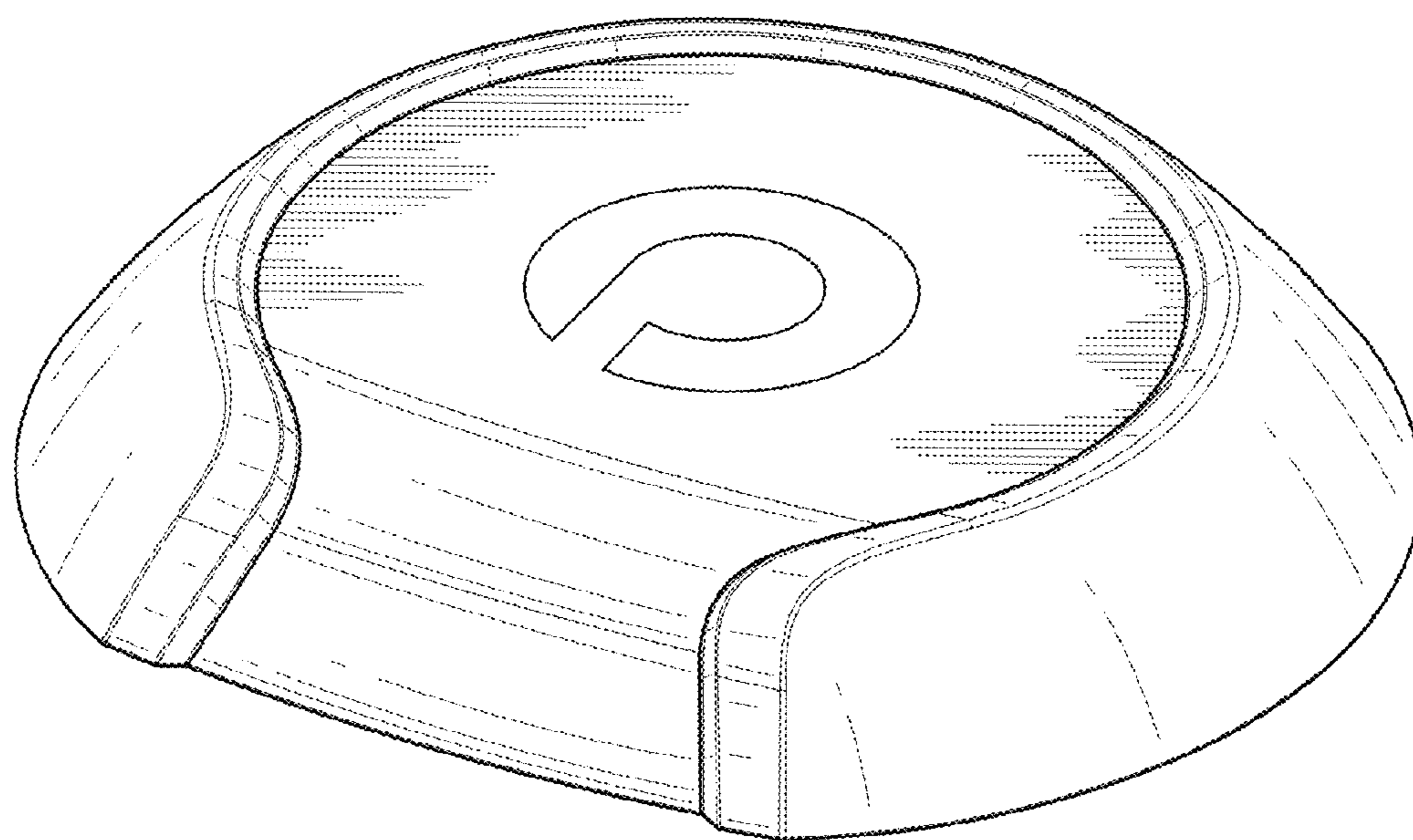


FIG. 1

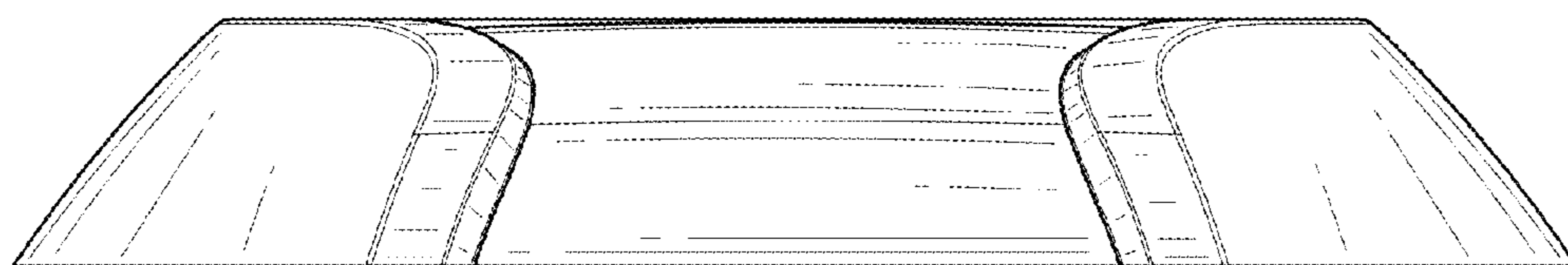


FIG. 2

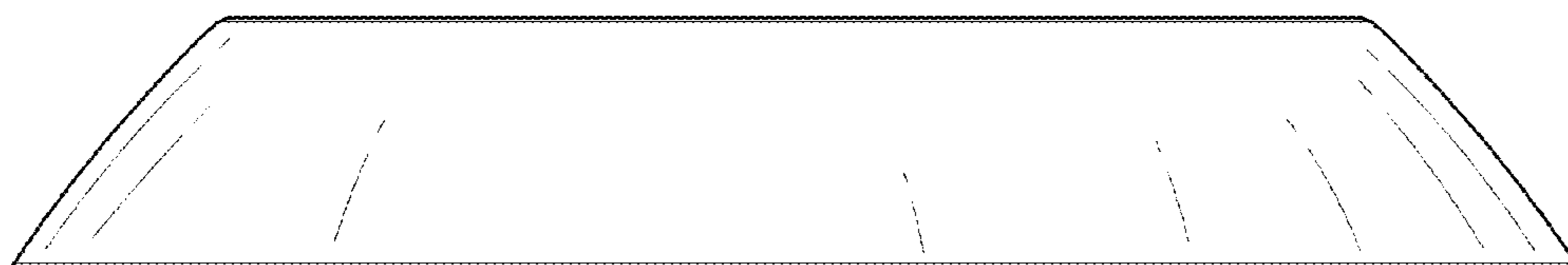


FIG. 3

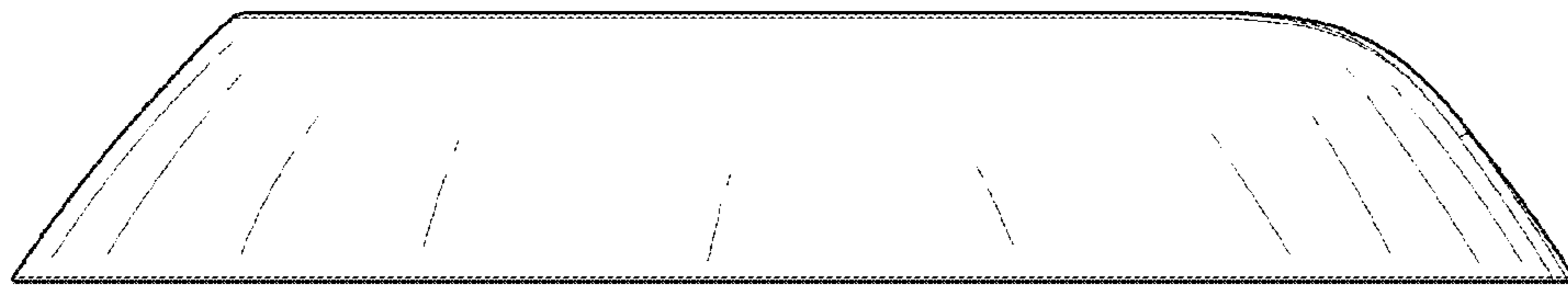


FIG. 4

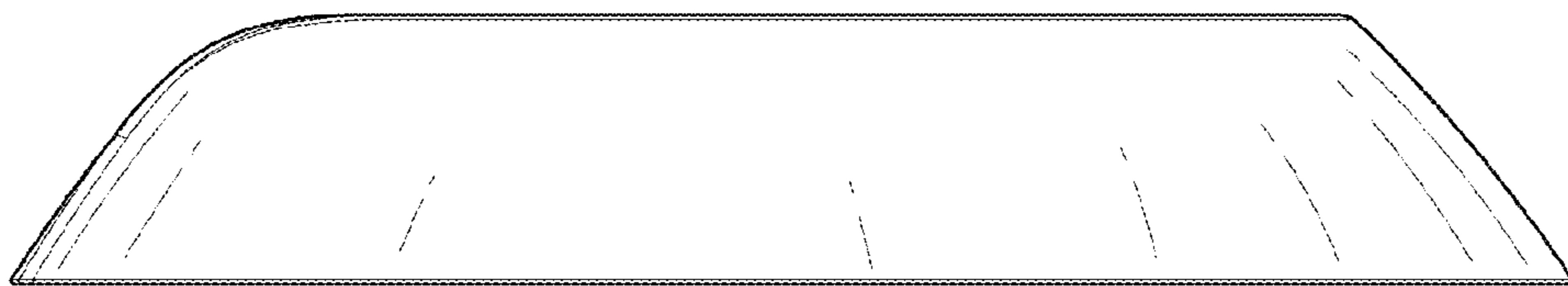


FIG. 5

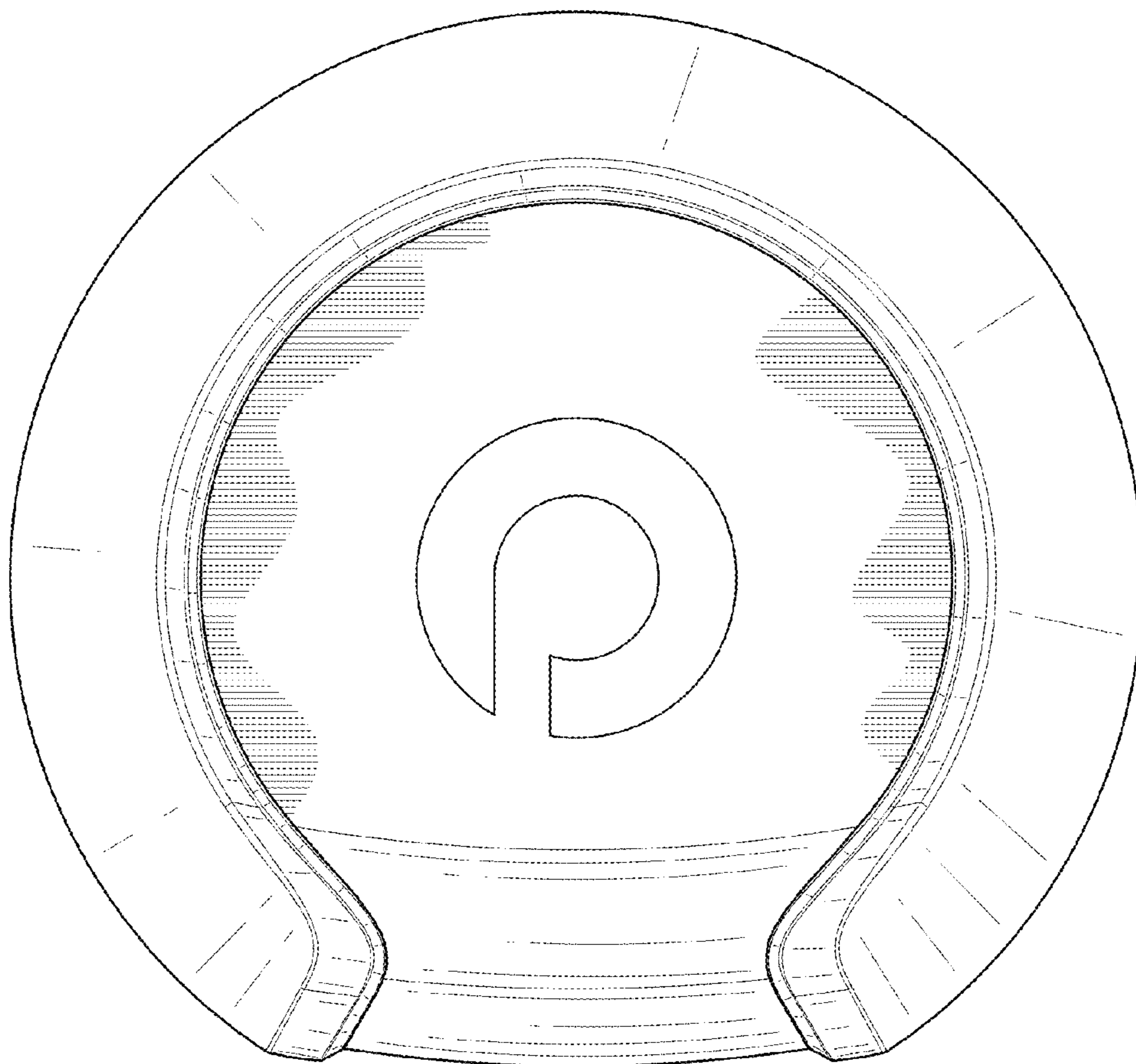


FIG. 6

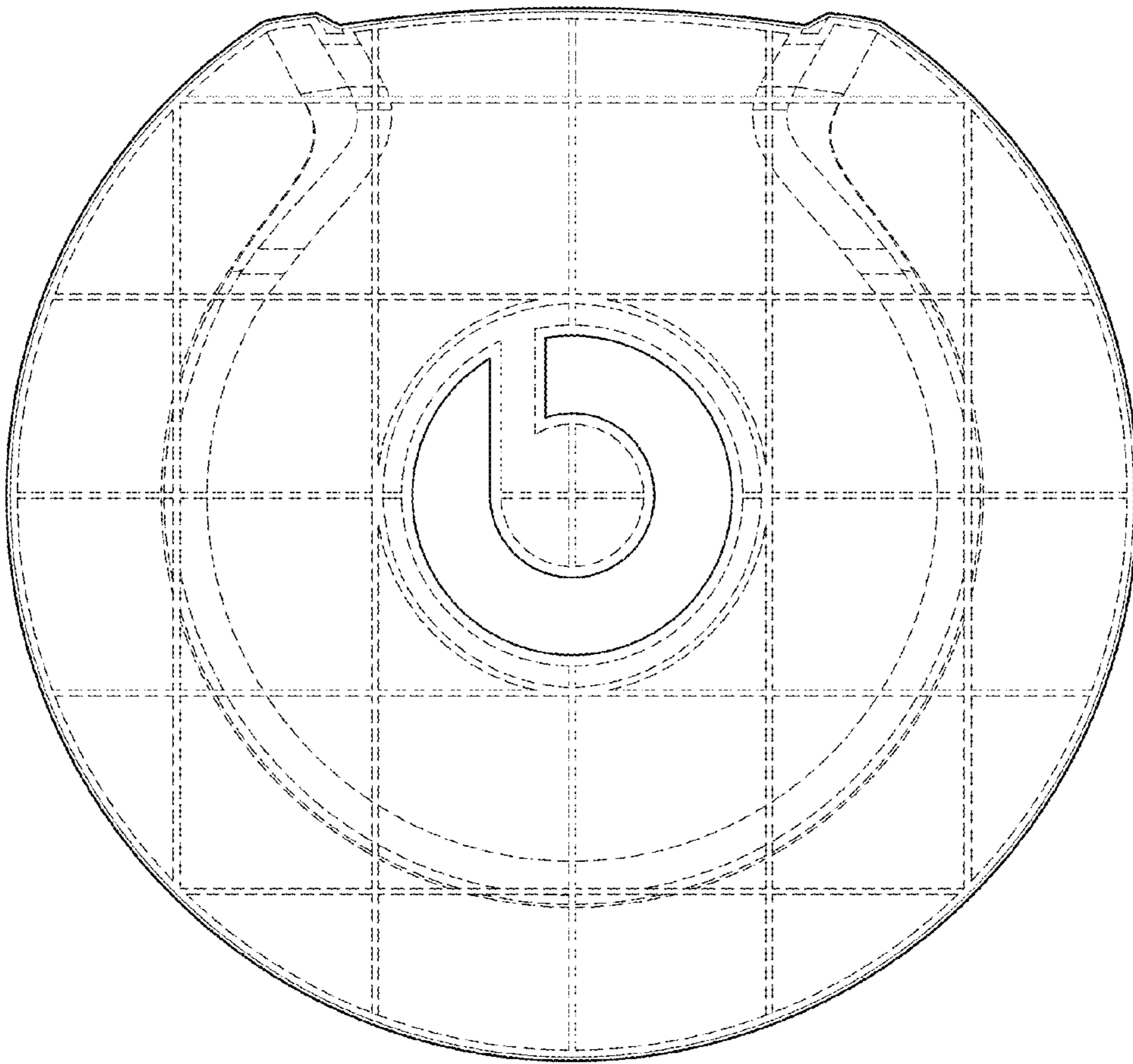


FIG. 7