



US00D706211S

(12) **United States Design Patent**
Taylor et al.

(10) **Patent No.:** **US D706,211 S**
(45) **Date of Patent:** **** Jun. 3, 2014**

(54) **OXYGEN CONCENTRATOR BATTERY**

(71) Applicant: **Inogen, Inc.**, Goleta, CA (US)

(72) Inventors: **Brenton Alan Taylor**, Kenwood, CA (US); **Peter James Hansen**, Santa Barbara, CA (US); **John Russell Stump**, Santa Barbara, CA (US); **Patrick Fitzlindon Burgess**, Dunedin, FL (US)

(73) Assignee: **Inogen, Inc.**, Goleta, CA (US)

(**) Term: **14 Years**

(21) Appl. No.: **29/448,105**

(22) Filed: **Mar. 8, 2013**

(51) **LOC (10) Cl.** **13-02**

(52) **U.S. Cl.**
USPC **D13/103**

(58) **Field of Classification Search**
USPC D13/102-108, 110, 118-121, 184, 199;
429/96-100, 163, 176
See application file for complete search history.

(56) **References Cited**

U.S. PATENT DOCUMENTS

D423,448 S	*	4/2000	Yu	D13/103
D481,007 S	*	10/2003	Takahashi	D13/103
D537,408 S	*	2/2007	Aglassinger	D13/103
D538,226 S	*	3/2007	Lyman et al.	D13/119
D576,545 S	*	9/2008	Mandel et al.	D13/103
D598,373 S	*	8/2009	Aglassinger	D13/103

8,399,117 B2 * 3/2013 Hu et al. 429/96

* cited by examiner

Primary Examiner — Rosemary K Tarcza

(74) *Attorney, Agent, or Firm* — Knobbe Martens Olson & Bear, LLP

(57) **CLAIM**

The ornamental design for the oxygen concentrator battery, as shown and described.

DESCRIPTION

FIG. 1 is a front perspective view of the oxygen concentrator battery.

FIG. 2 is a rear perspective view of the oxygen concentrator battery in FIG. 1.

FIG. 3 is a front view of the oxygen concentrator battery in FIG. 1.

FIG. 4 is a rear view of the oxygen concentrator battery in FIG. 1.

FIG. 5 is a left side view of the oxygen concentrator battery in FIG. 1.

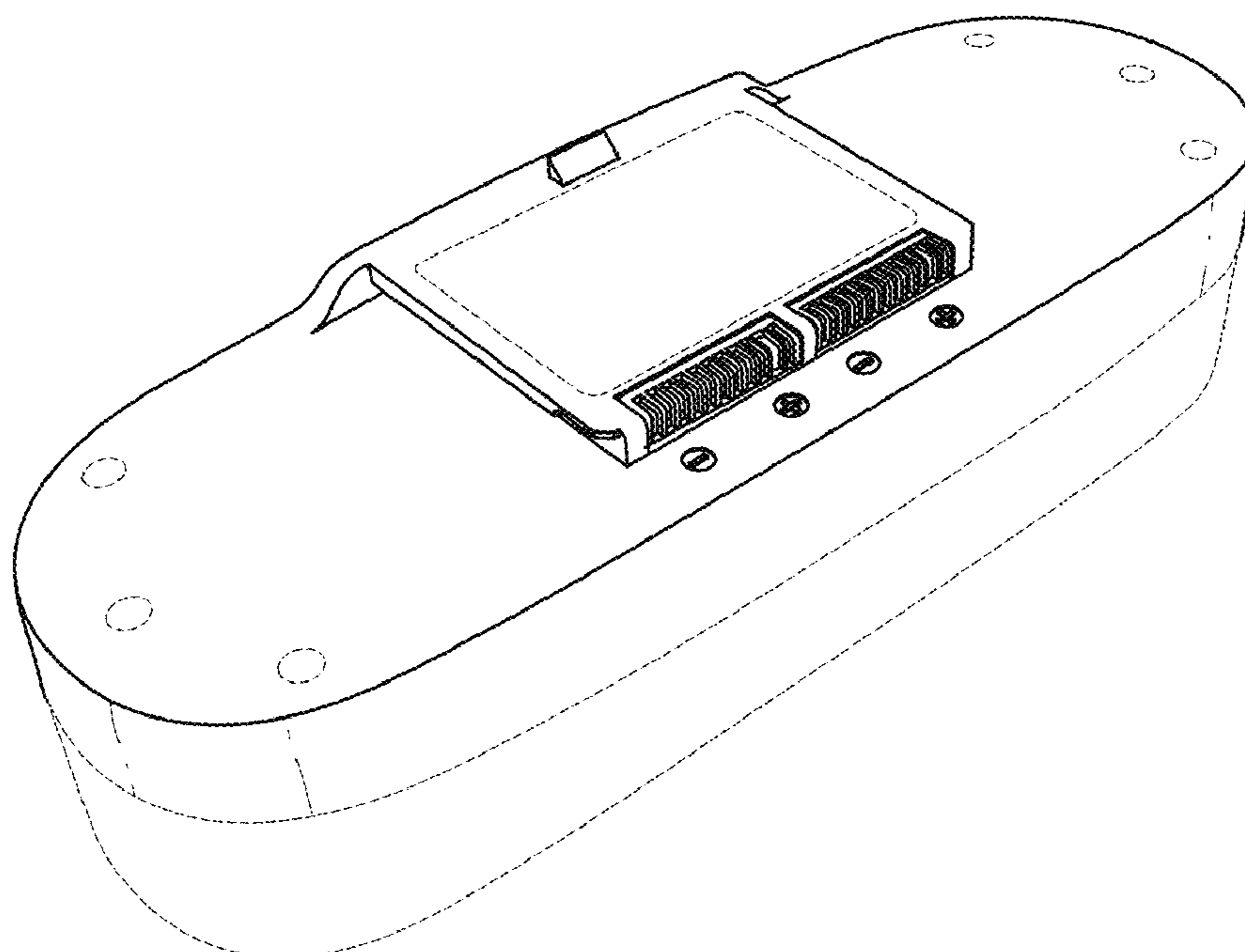
FIG. 6 is a right side view of the oxygen concentrator battery in FIG. 1.

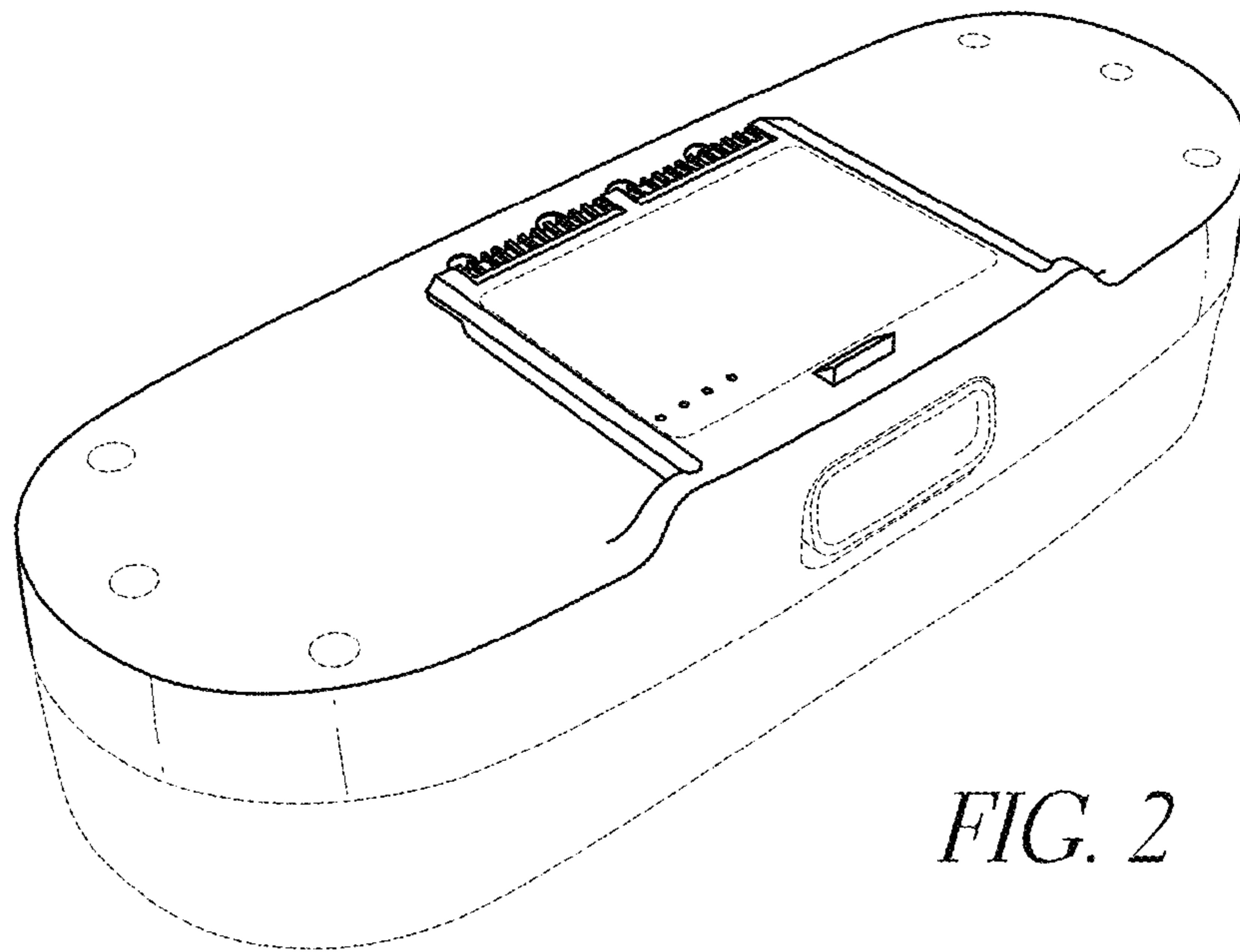
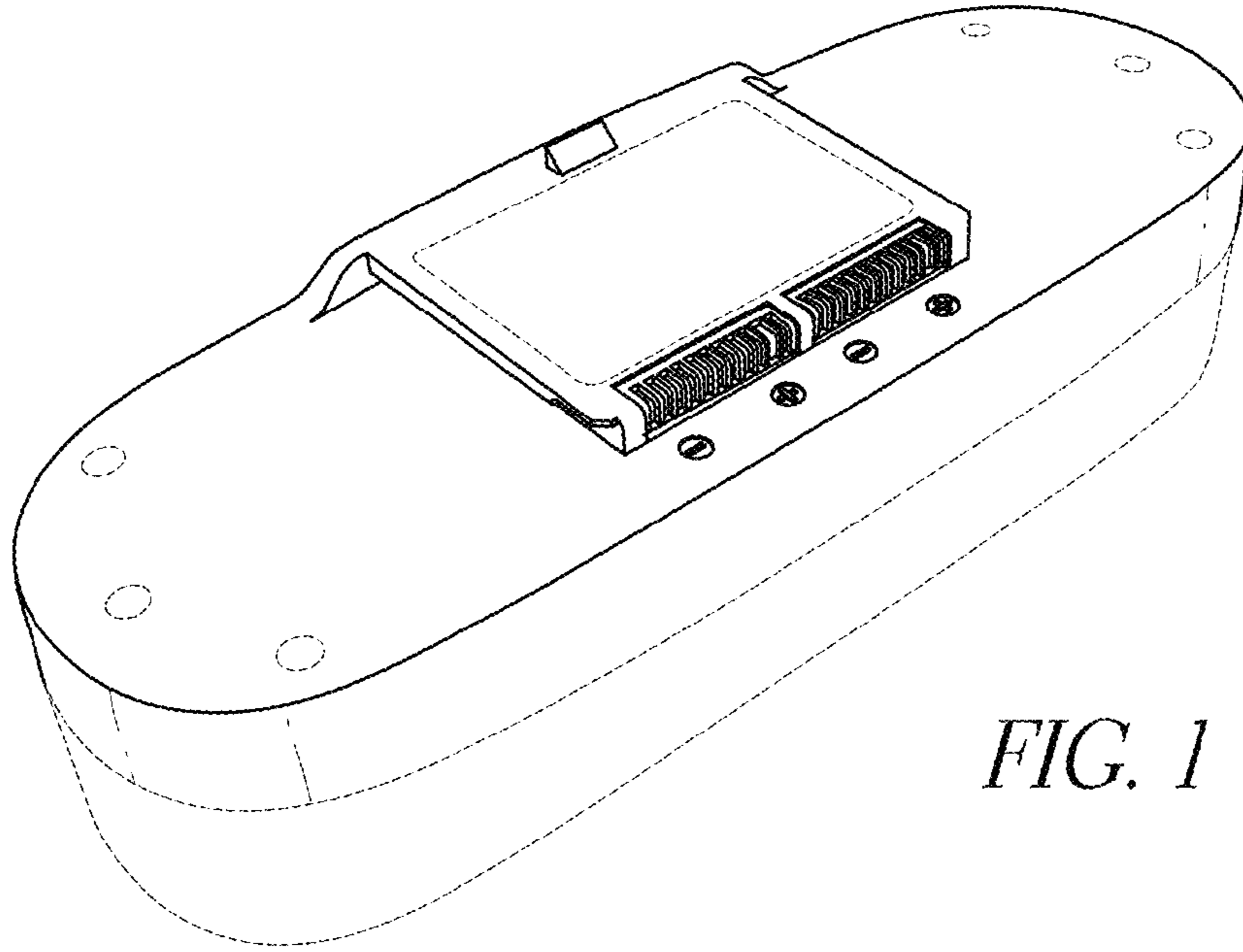
FIG. 7 is a top view of the oxygen concentrator battery in FIG. 1; and,

FIG. 8 is a bottom view of the oxygen concentrator battery in FIG. 1.

The broken lines are for illustrative purposes only and form no part of the claimed design.

1 Claim, 4 Drawing Sheets





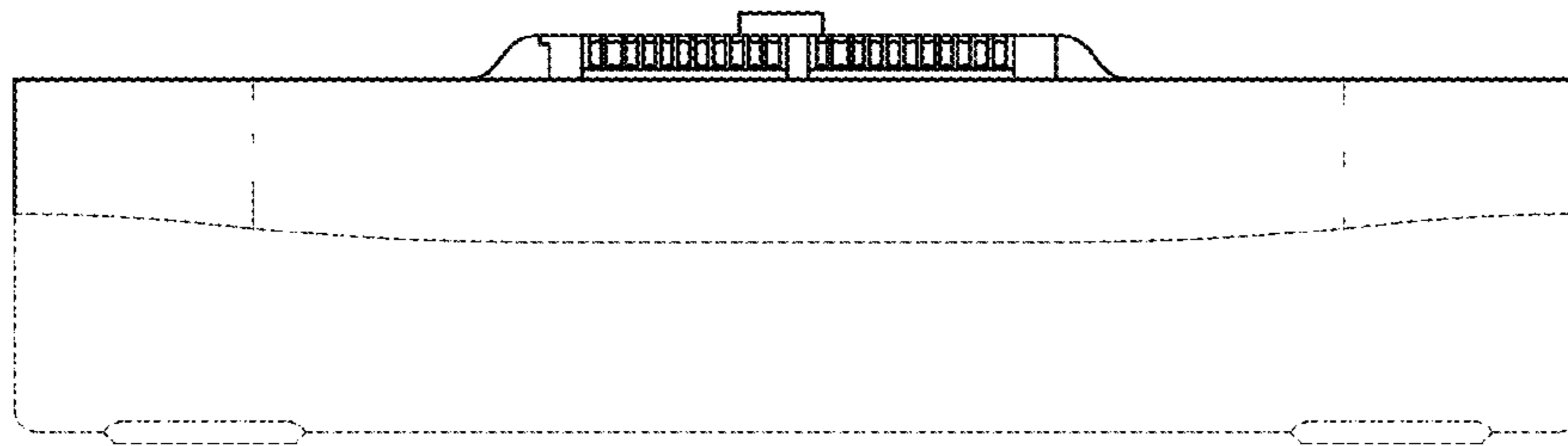


FIG. 3

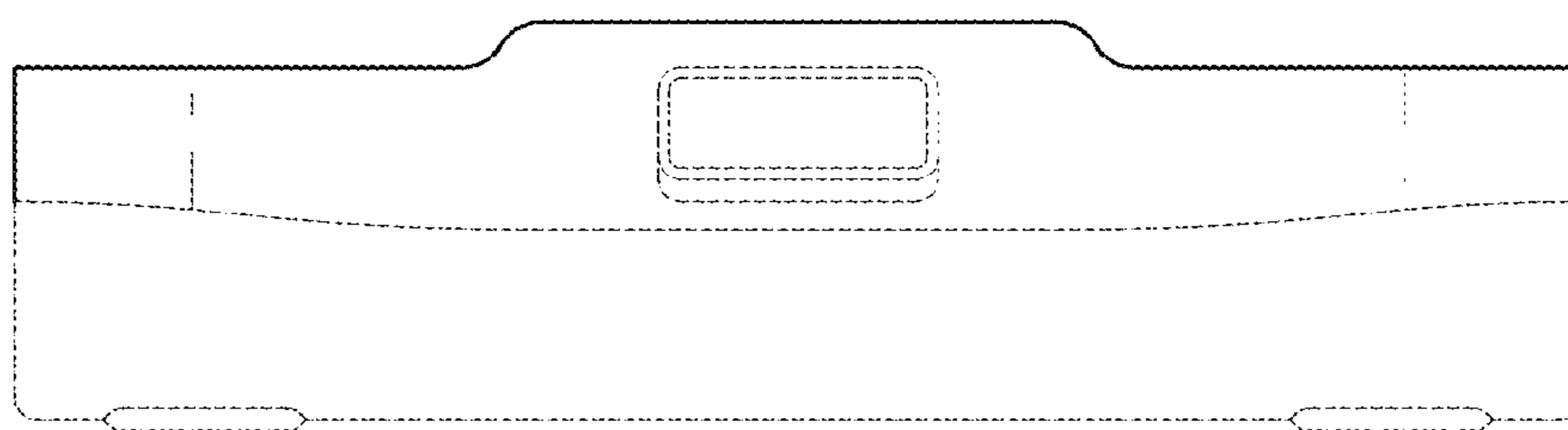


FIG. 4

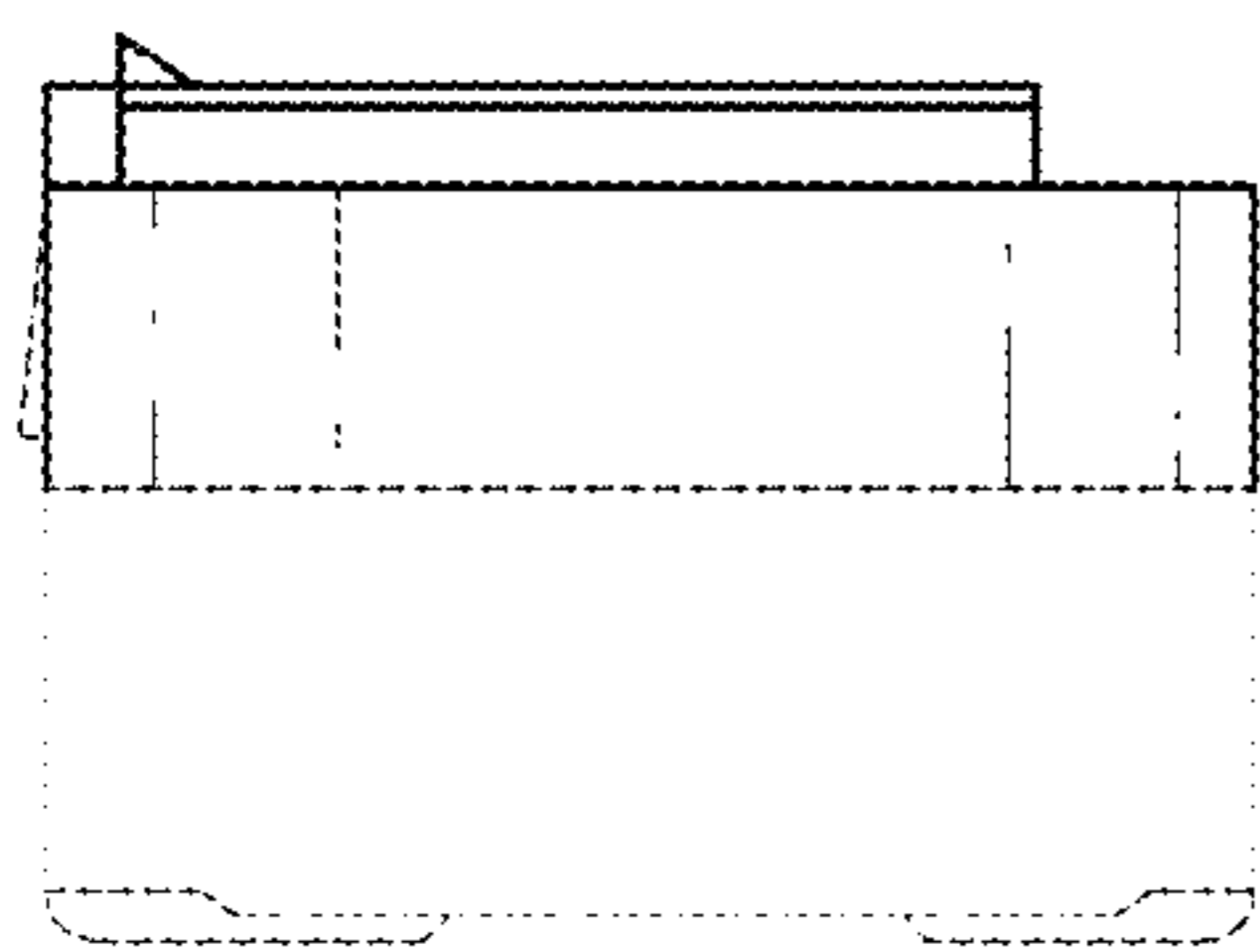


FIG. 5

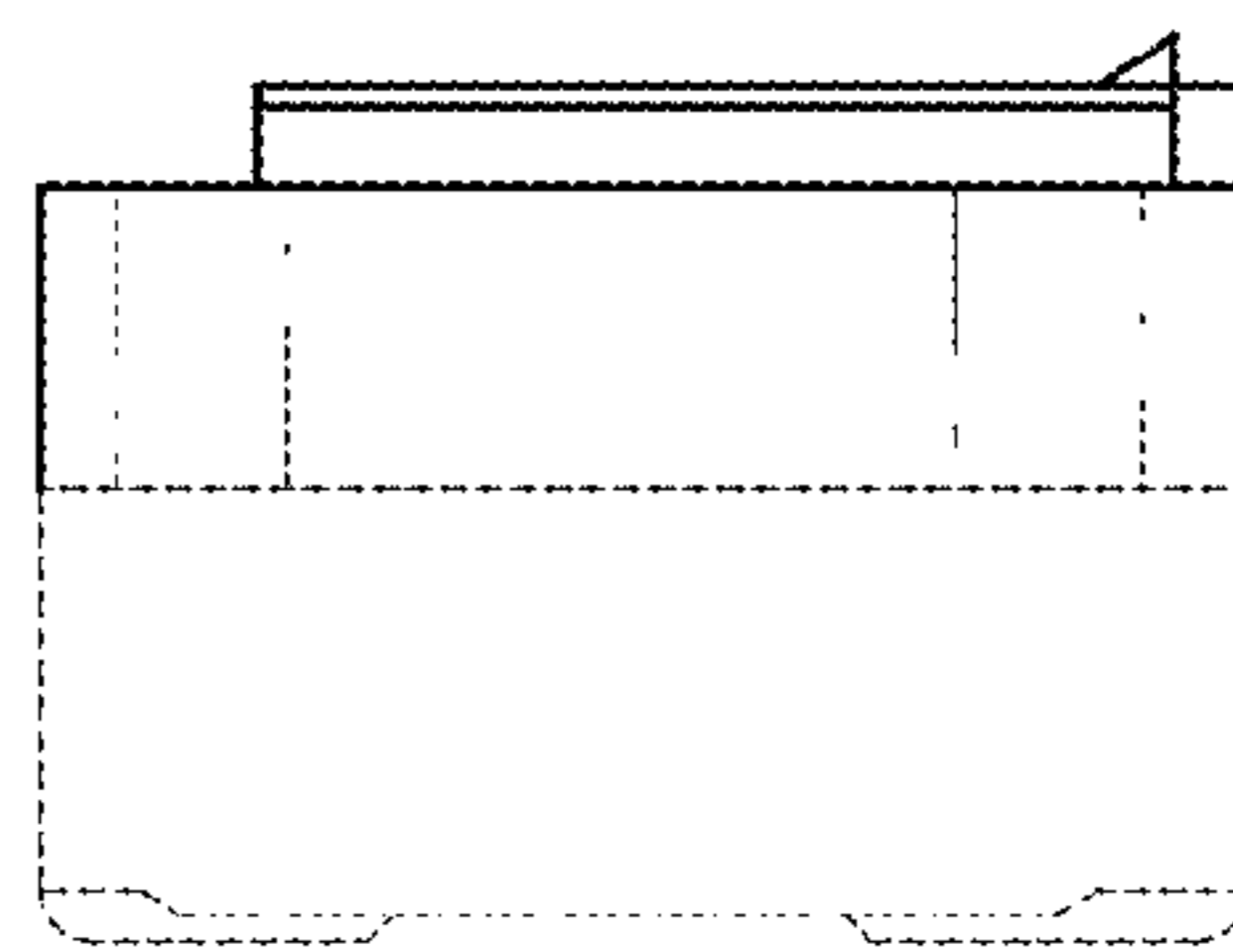


FIG. 6

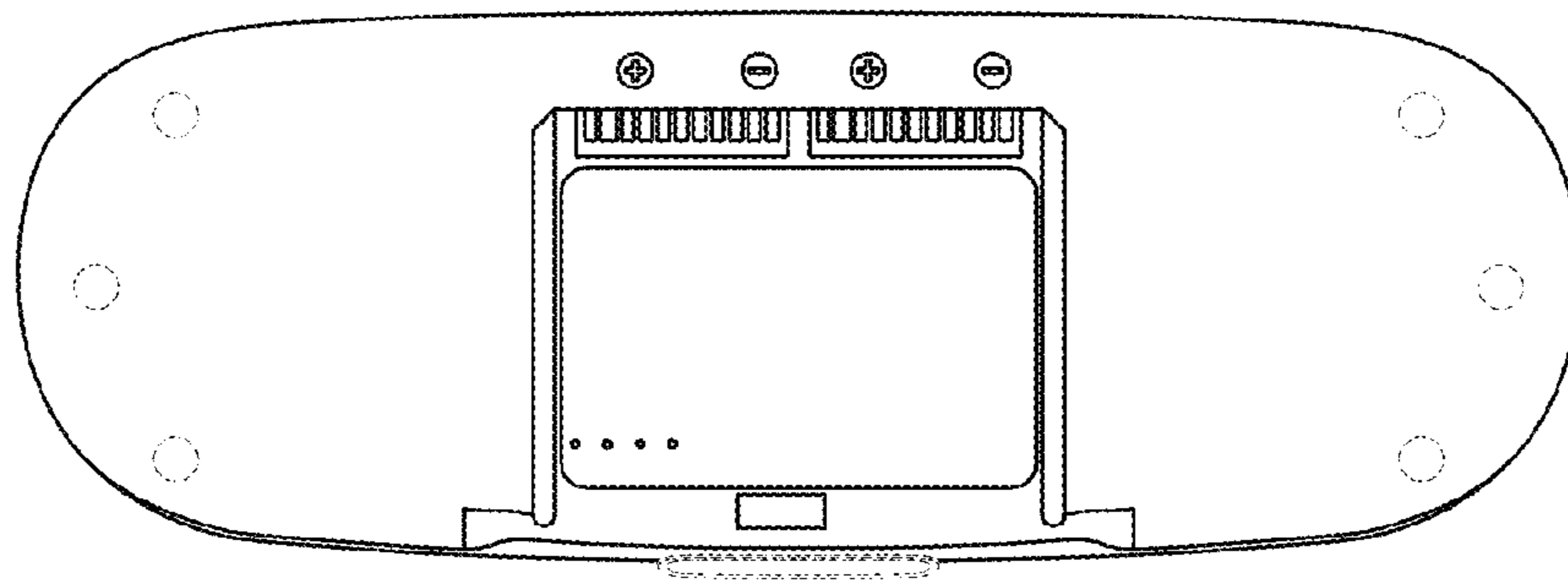


FIG. 7

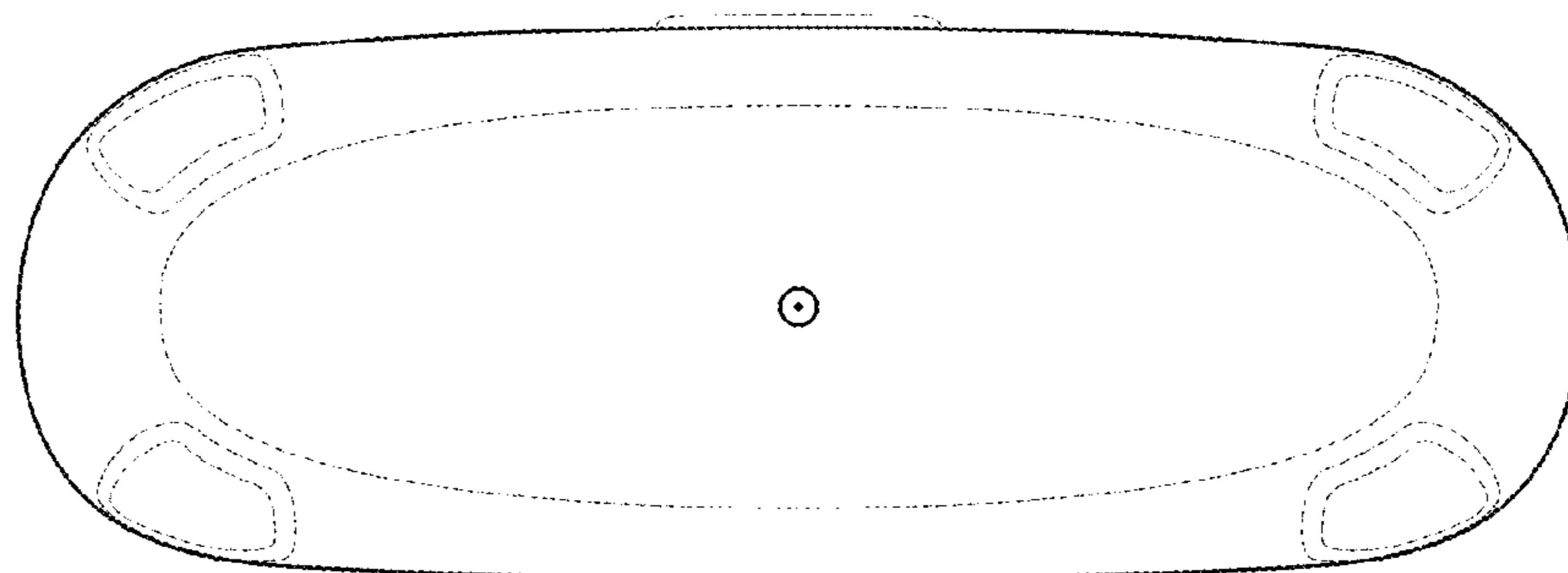


FIG. 8