



US00D706209S

(12) **United States Design Patent**
Flaherty et al.

(10) **Patent No.:** **US D706,209 S**
(45) **Date of Patent:** **** Jun. 3, 2014**

- (54) **PLATFORMED BICYCLE CARRIER RACK**
- (71) Applicant: **Thule Sweden AB**, Hillerstorp (SE)
- (72) Inventors: **Joseph R. Flaherty**, Prospect, CT (US);
Thomas J. Hanson, Rye, NY (US);
John R. Laverack, Southbury, CT (US);
Timothy J. Makris, Sandy Hook, CT (US);
Keith L. Prescott, Cambridge, VT (US);
Gregor G. Weaver, Waterbury, CT (US)
- (73) Assignee: **Thule Sweden AB**, Hillerstorp (SE)
- (**) Term: **14 Years**
- (21) Appl. No.: **29/450,869**
- (22) Filed: **Mar. 25, 2013**
- (51) **LOC (10) Cl.** **12-16**
- (52) **U.S. Cl.**
USPC **D12/407**
- (58) **Field of Classification Search**
CPC B60R 9/10; B62H 3/04; B62H 3/00;
B62H 3/12; B62H 2003/005; B62H 3/02;
B62H 3/06; B62H 3/10
USPC D12/406-414.1, 402, 420, 115;
D8/356; 224/419, 422, 430, 424, 428,
224/429, 448; 211/22, 5, 20, 21, 198, 200;
248/164
See application file for complete search history.

D635,087	S *	3/2011	Flaherty et al.	D12/408
D637,137	S *	5/2011	Weaver et al.	D12/408
8,025,196	B2 *	9/2011	Flaherty et al.	224/533
8,109,422	B2 *	2/2012	Murray	224/314
D656,080	S *	3/2012	Budd et al.	D12/408
D656,455	S *	3/2012	Sautter et al.	D12/408
D656,456	S *	3/2012	Tinstman et al.	D12/408
D659,631	S *	5/2012	Laverack et al.	D12/408
D663,675	S *	7/2012	Sautter et al.	D12/408
D669,016	S *	10/2012	Pozzi	D12/408
D669,415	S *	10/2012	Murray et al.	D12/408
D671,883	S *	12/2012	Farber	D12/408
D672,704	S *	12/2012	Grago	D12/408
8,387,841	B2 *	3/2013	Murray	224/314
D687,762	S *	8/2013	Weaver et al.	D12/408
8,534,522	B2 *	9/2013	Bogoslofski et al.	224/537
2005/0133555	A1 *	6/2005	Bove et al.	224/324
2007/0034657	A1 *	2/2007	Murray	224/497
2007/0235487	A1 *	10/2007	Bogoslofski et al.	224/533
2011/0042433	A1 *	2/2011	Bogoslofski et al.	224/324
2011/0068138	A1 *	3/2011	Flaherty et al.	224/324
2013/0015615	A1 *	1/2013	Bogoslofski et al.	267/141.2

* cited by examiner

Primary Examiner — Eric Goodman

Assistant Examiner — Ryan Harvey

(74) *Attorney, Agent, or Firm* — Novak Druce Connolly Bove + Quigg LLP

(57) **CLAIM**

We claim the design for a platformed bicycle carrier rack, as shown and described.

DESCRIPTION

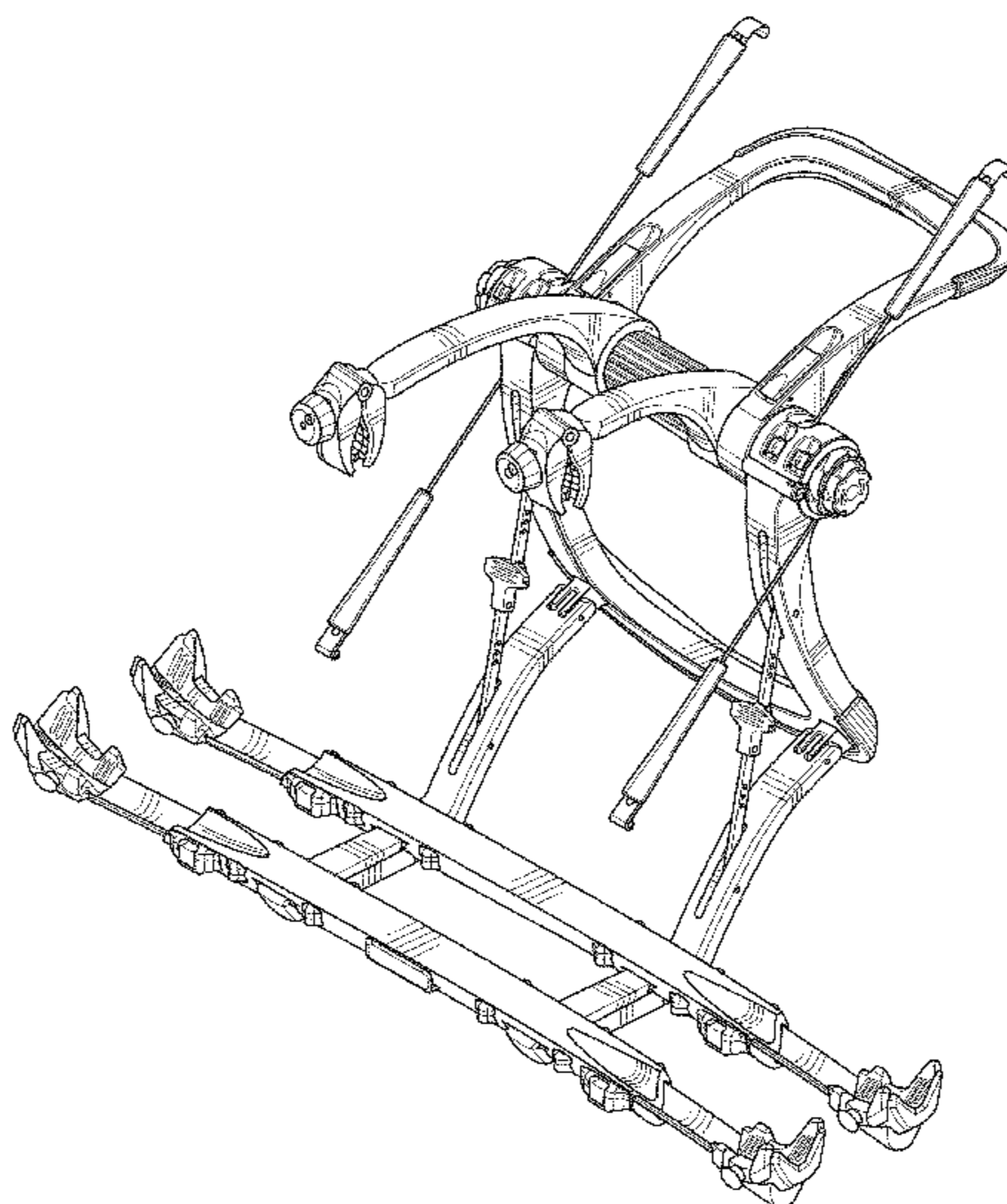
FIG. 1 is a perspective view of a platformed bicycle carrier rack;
 FIG. 2 is left side elevational view thereof;
 FIG. 3 is a right side elevational view thereof;
 FIG. 4 is a front elevational view thereof;
 FIG. 5 is a rear elevational view thereof;
 FIG. 6 is a top plan view thereof; and,
 FIG. 7 is a bottom plan view thereof.

1 Claim, 7 Drawing Sheets

(56) **References Cited**

U.S. PATENT DOCUMENTS

D412,482	S *	8/1999	Chen	D12/408
7,757,917	B2 *	7/2010	Bogoslofski et al.	224/537
7,810,685	B2 *	10/2010	Bove et al.	224/324
D628,141	S *	11/2010	Weaver et al.	D12/408
D629,350	S *	12/2010	Weaver et al.	D12/408
D630,572	S *	1/2011	Weaver et al.	D12/408
D634,697	S *	3/2011	Weaver et al.	D12/408



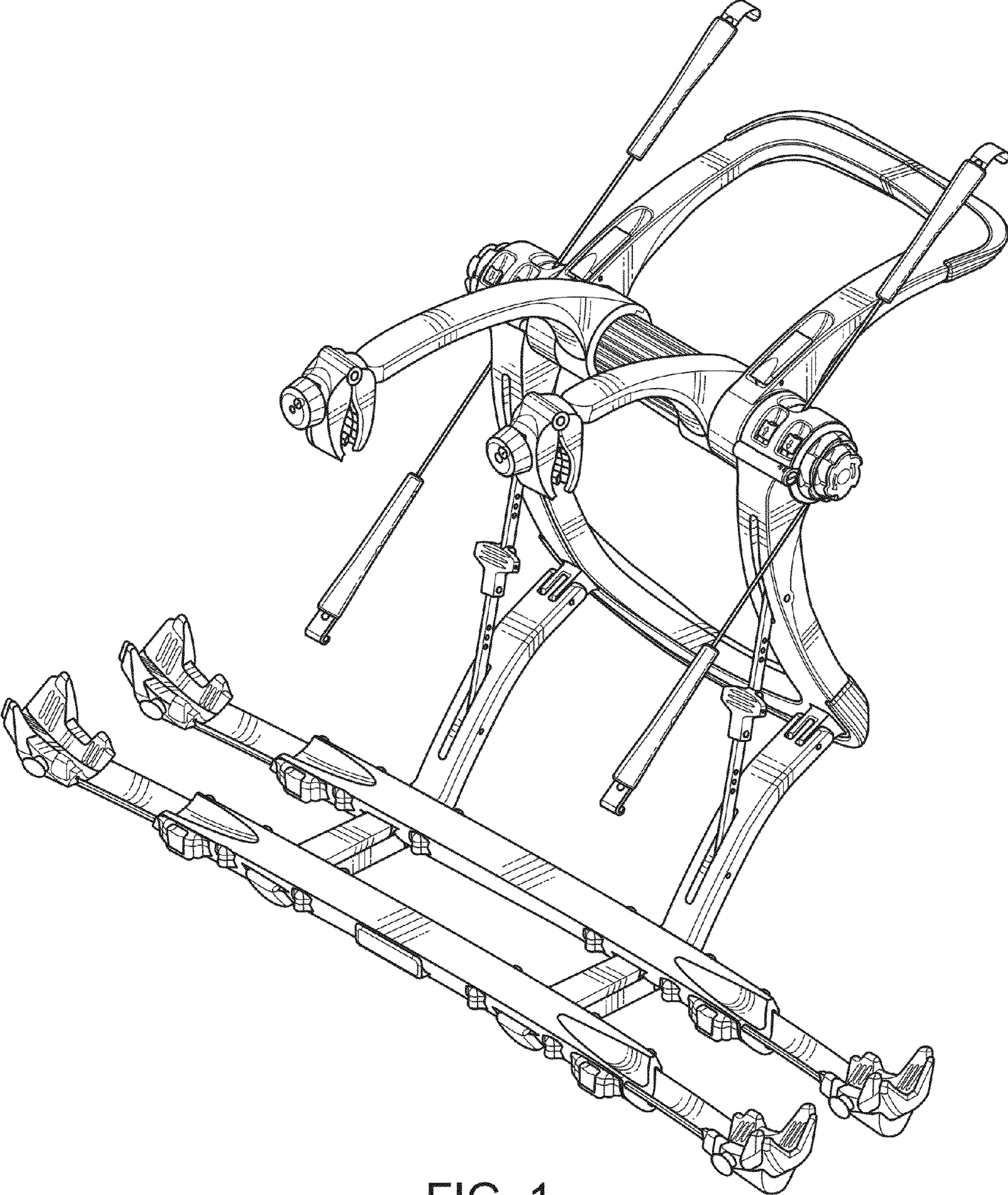


FIG. 1

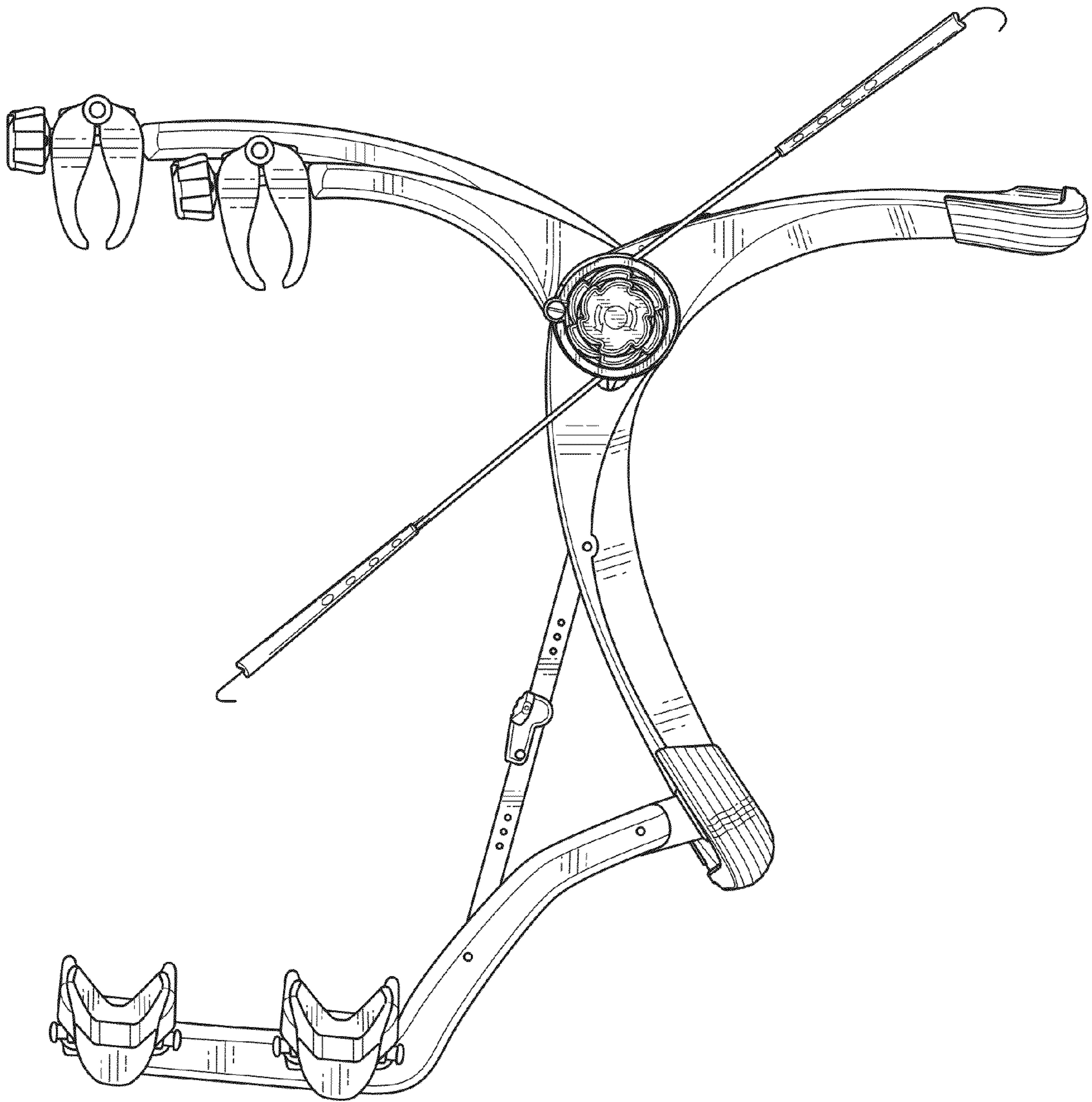


FIG. 2

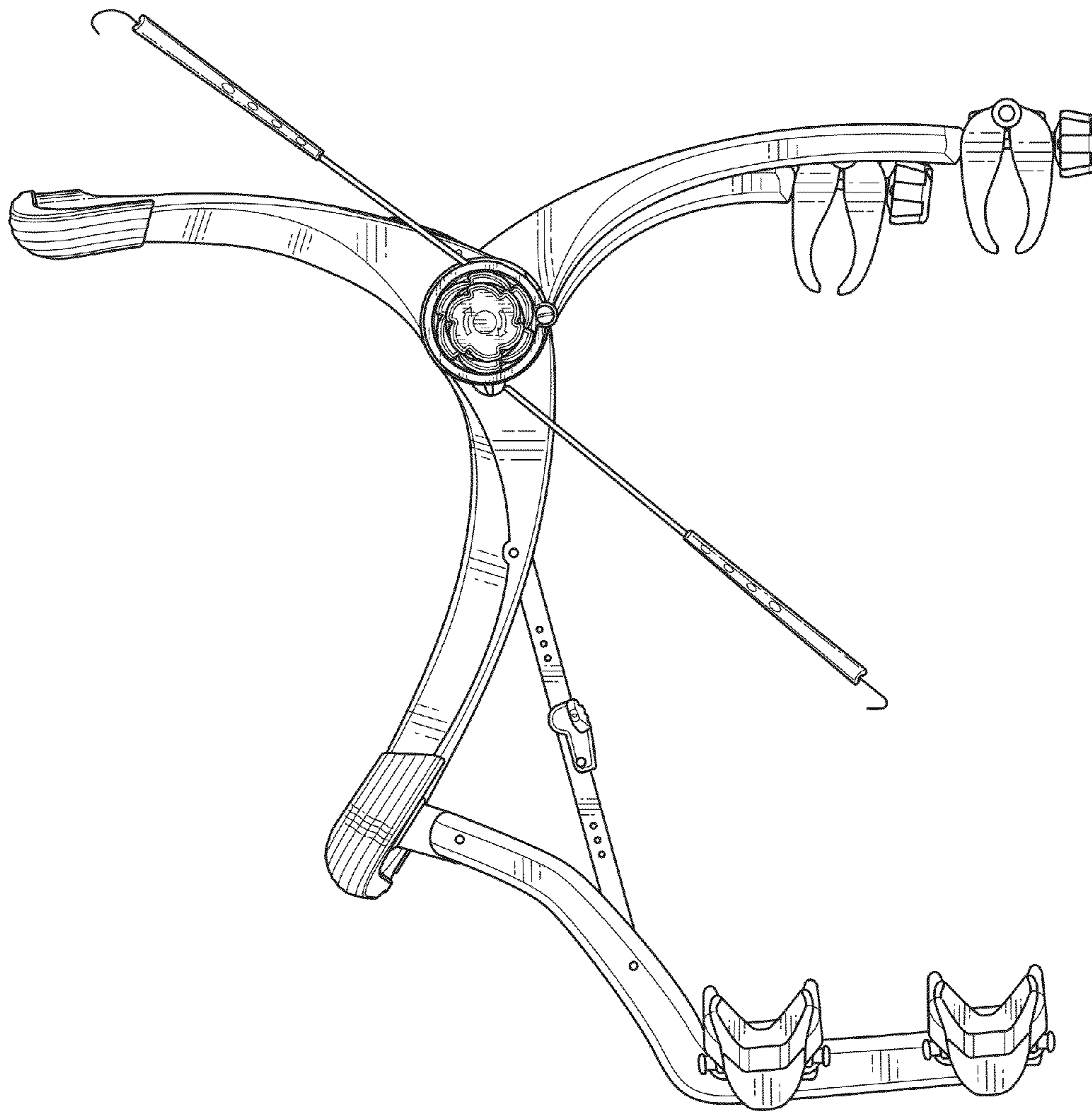


FIG. 3

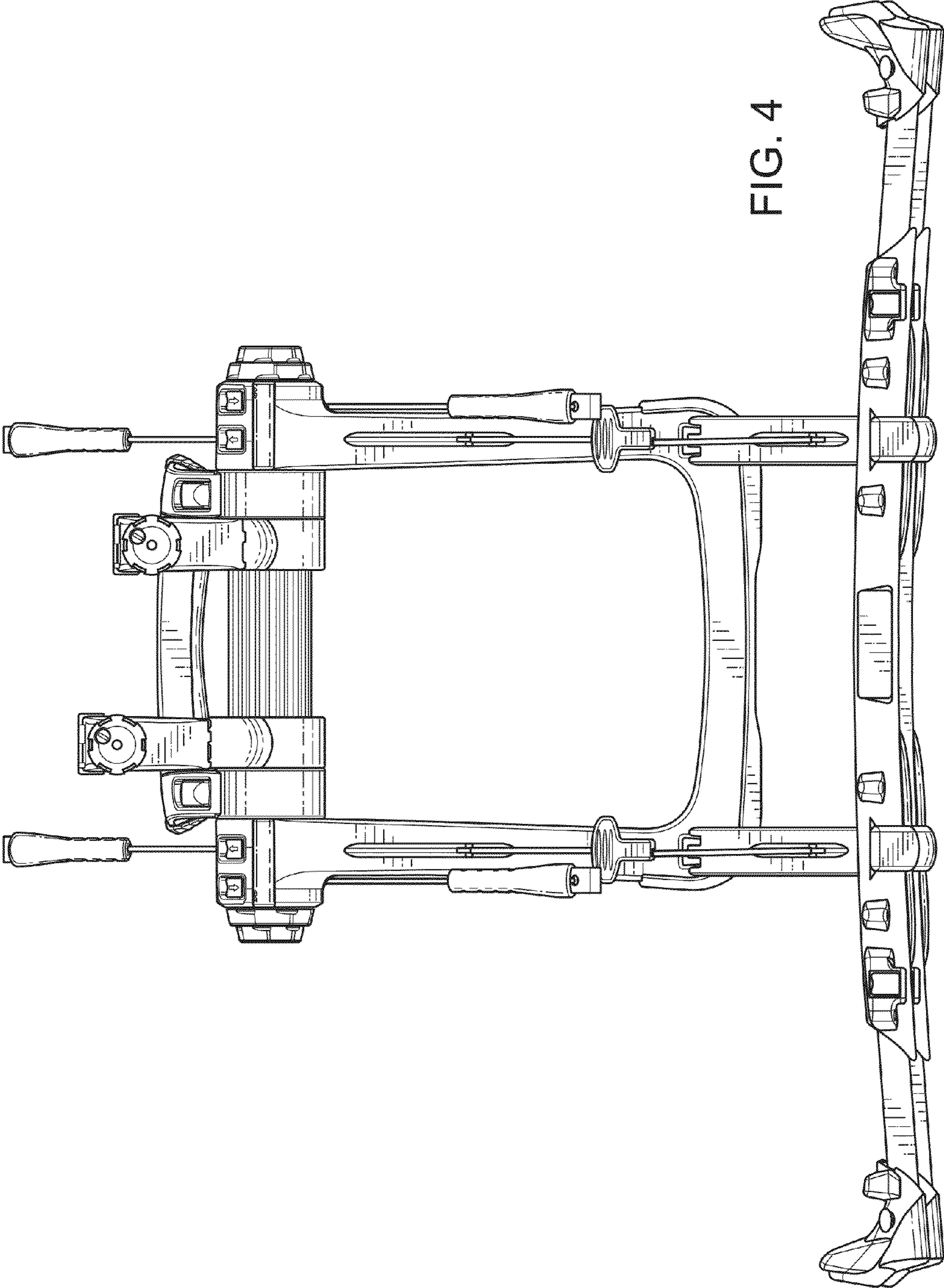


FIG. 4

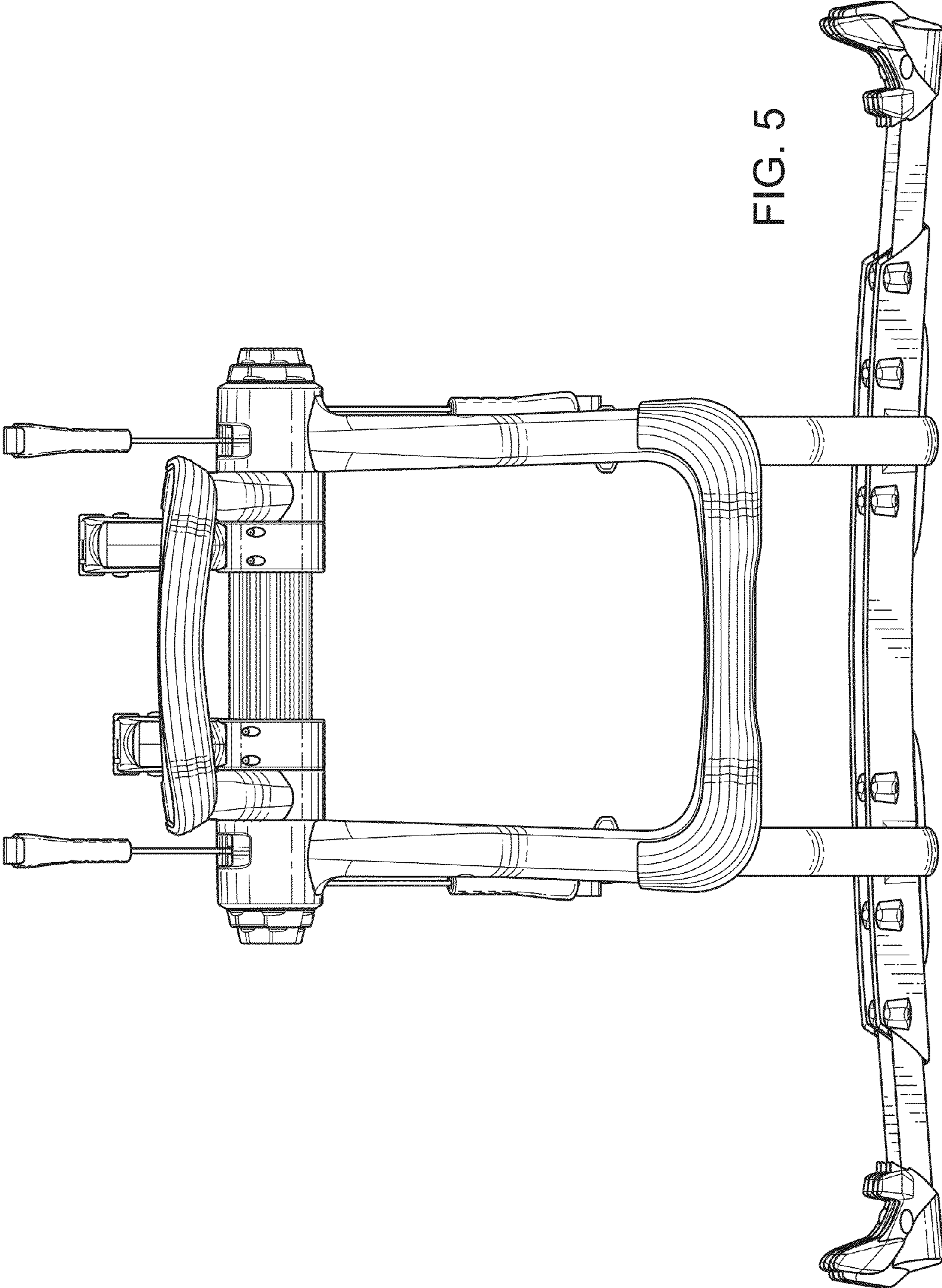


FIG. 5

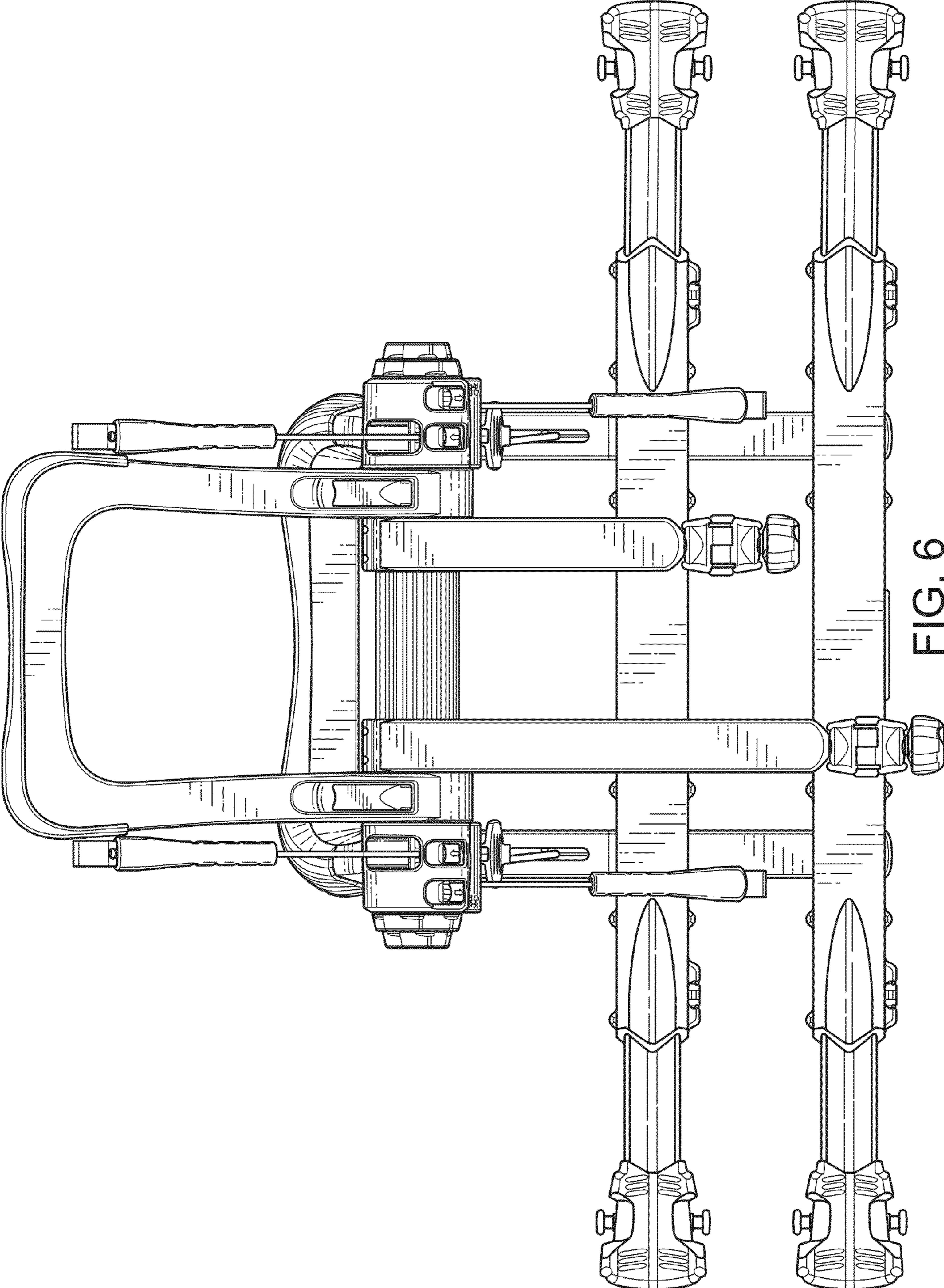


FIG. 6

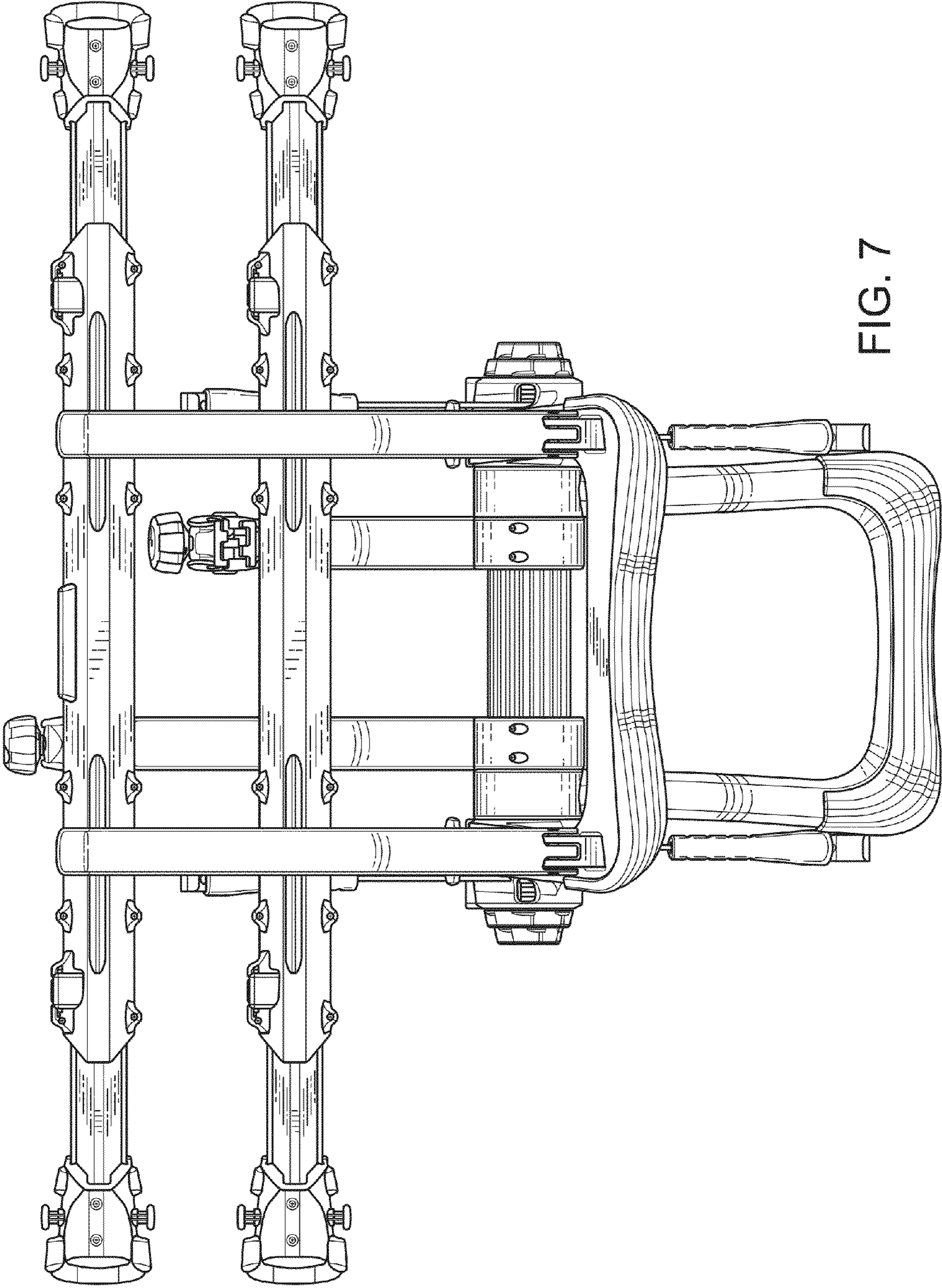


FIG. 7