



US00D706207S

(12) **United States Design Patent**
Mainville et al.

(10) **Patent No.:** **US D706,207 S**
(45) **Date of Patent:** **** Jun. 3, 2014**

(54) **STEERING BEZEL**

(71) Applicant: **Marine Acquisition (US) Incorporated,**
Limerick, PA (US)

(72) Inventors: **Patrick Mainville, Montreal (CA);**
Antoine Dubois, Montreal (CA)

(73) Assignee: **Marine Aquisition (US) Incorporated,**
Limerick, PA (US)

(**) Term: **14 Years**

(21) Appl. No.: **29/434,801**

(22) Filed: **Oct. 17, 2012**

(51) **LOC (10) Cl.** **12-06**

(52) **U.S. Cl.**
USPC **D12/317**

(58) **Field of Classification Search**
USPC D12/175, 176, 177, 317; 114/23, 144 R,
114/15, 160; 74/493; 440/53
See application file for complete search history.

(56) **References Cited**

U.S. PATENT DOCUMENTS

D173,683 S *	12/1954	Sinko	D12/177
D176,298 S *	12/1955	Whitehouse	D12/177
D185,608 S *	6/1959	Mainzinger	D12/177
4,467,667 A *	8/1984	Baba	74/493
4,531,921 A *	7/1985	Teraura et al.	440/53

5,136,894 A *	8/1992	Carter et al.	74/493
5,676,081 A *	10/1997	Kobelt	114/144 R
6,588,354 B2 *	7/2003	Gai	114/144 R
D511,490 S *	11/2005	Zeiger	D12/317
D562,753 S	2/2008	Wall et al.		
D562,754 S	2/2008	Wall et al.		
2005/0166819 A1 *	8/2005	Zeiger	114/144 R

* cited by examiner

Primary Examiner — Cynthia M Chin

(74) *Attorney, Agent, or Firm* — Berenato & White, LLC

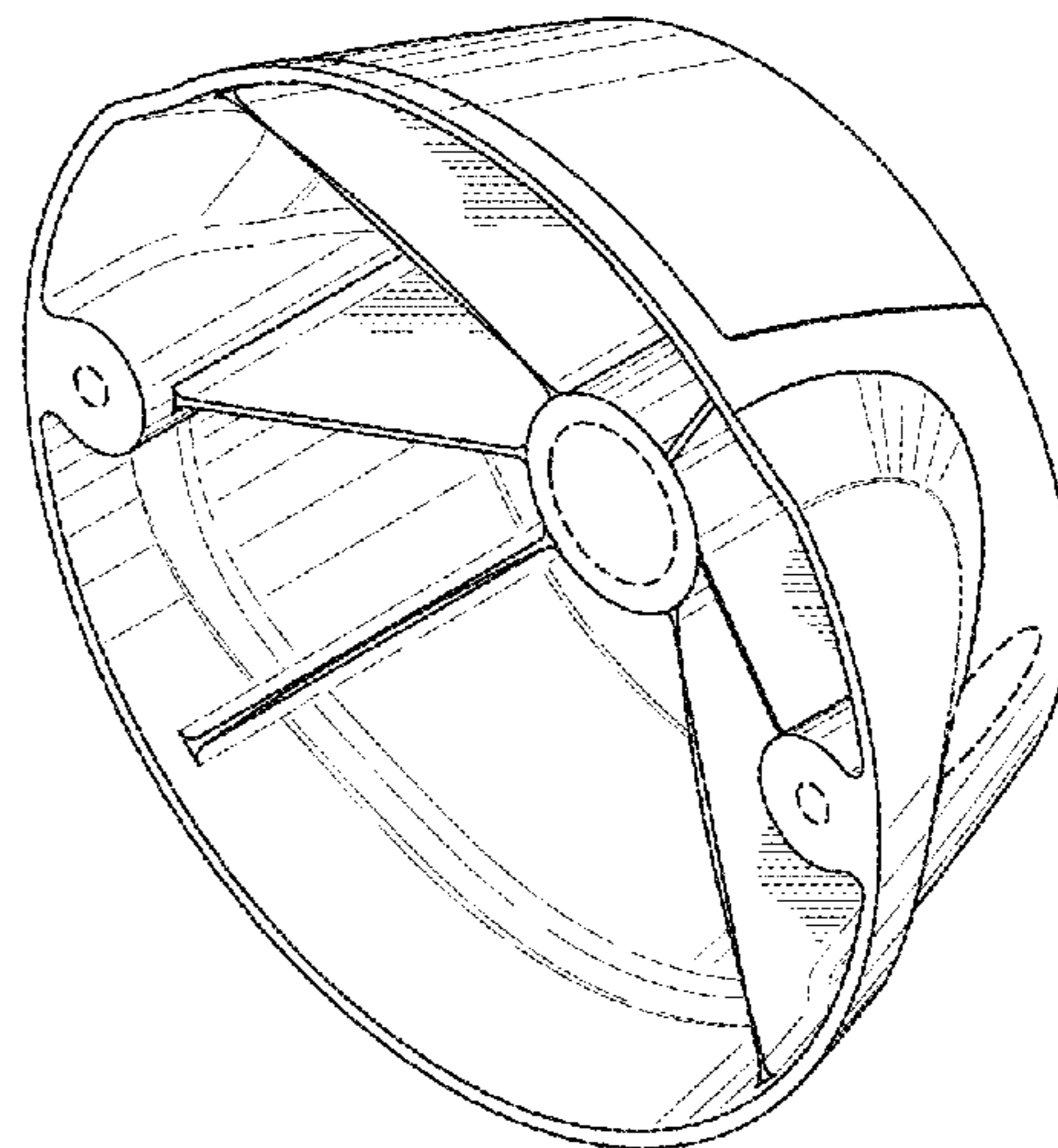
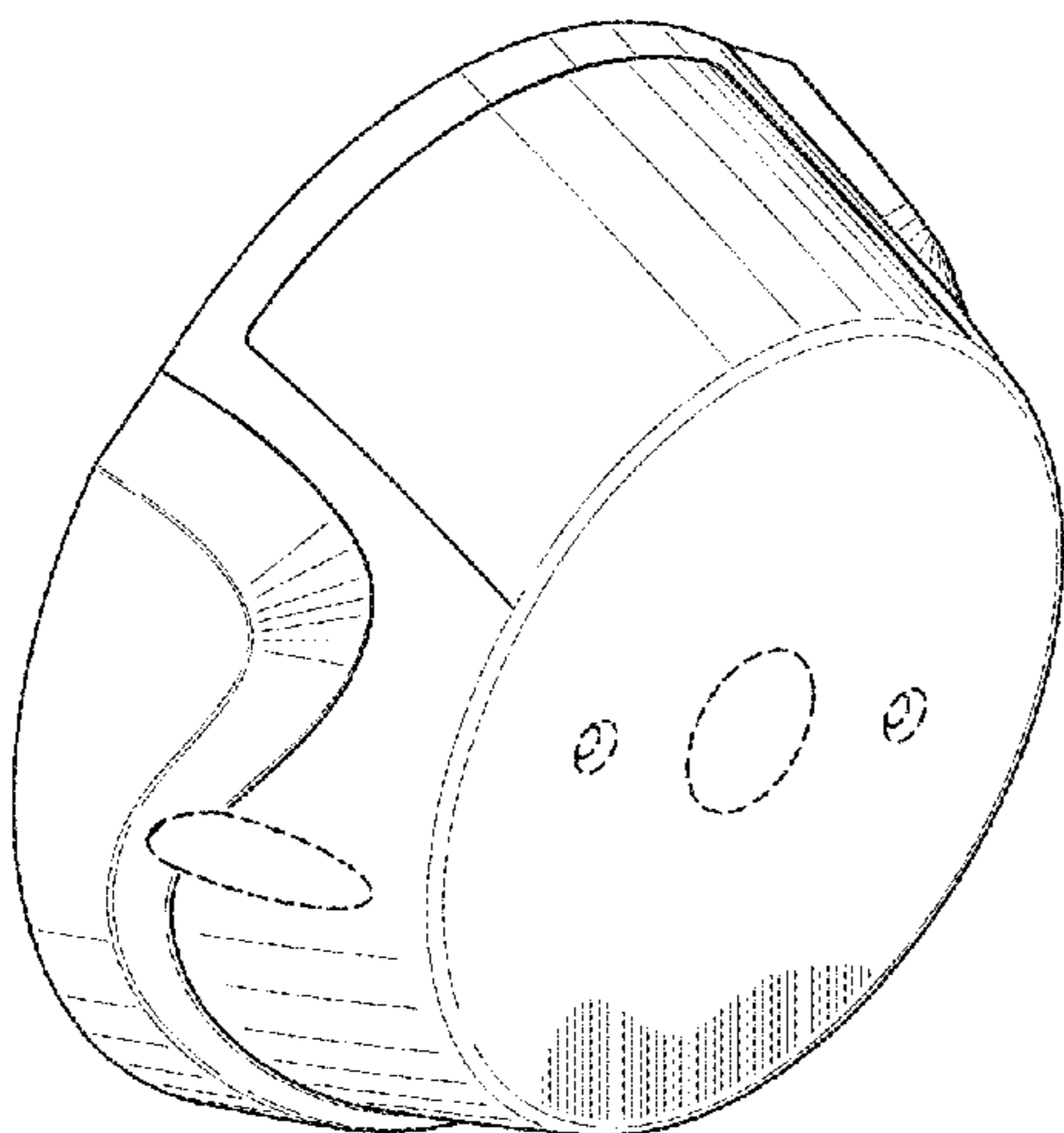
(57) **CLAIM**

The ornamental design for a steering bezel, as shown and described.

DESCRIPTION

FIG. 1 is a side perspective view of our design;
FIG. 2 is a side perspective view of the design of FIG. 1 shown from the opposite side;
FIG. 3 is a side elevational view;
FIG. 4 is a side elevational view from the side opposite to that of FIG. 3;
FIG. 5 is a front elevational view;
FIG. 6 is a rear elevational view;
FIG. 7 is a rear perspective view of the rear side of the design; and,
FIG. 8 is a rear perspective view of the rear side shown in FIG. 7 shown from the opposite side.
The dashed lines of the various figures are to illustrate environment and form no portion of the claimed design.

1 Claim, 4 Drawing Sheets



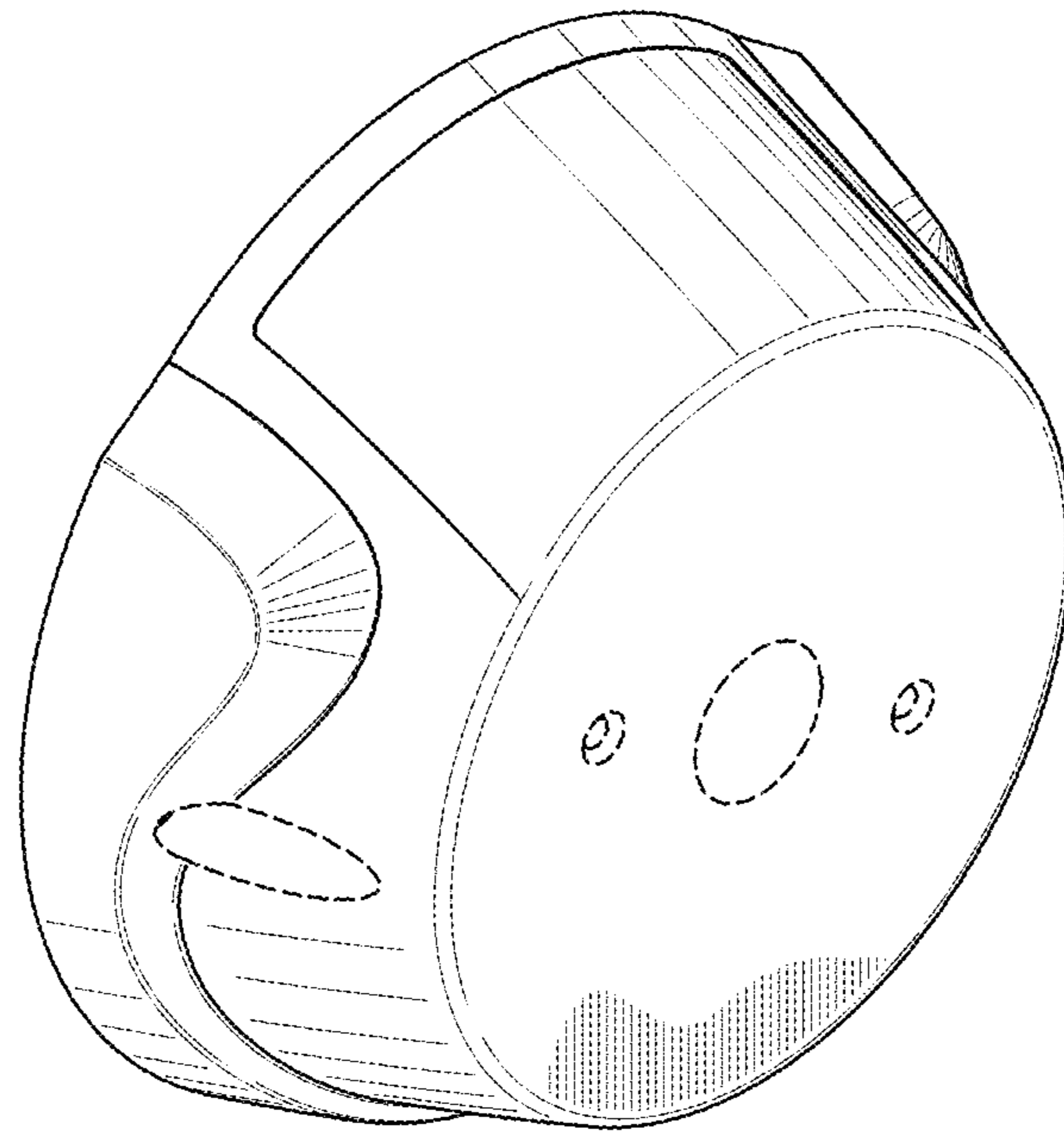


FIG. 1

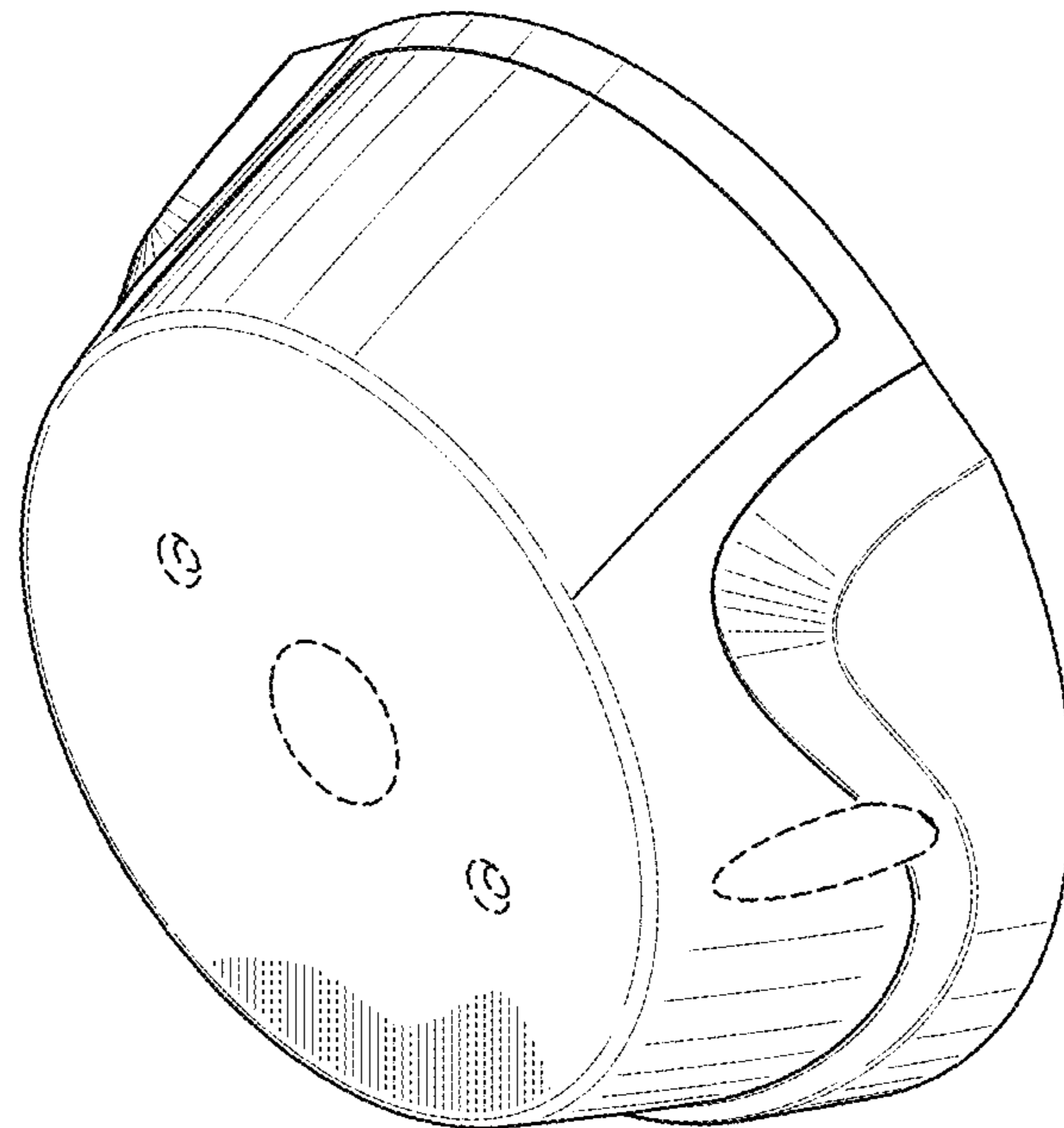


FIG. 2

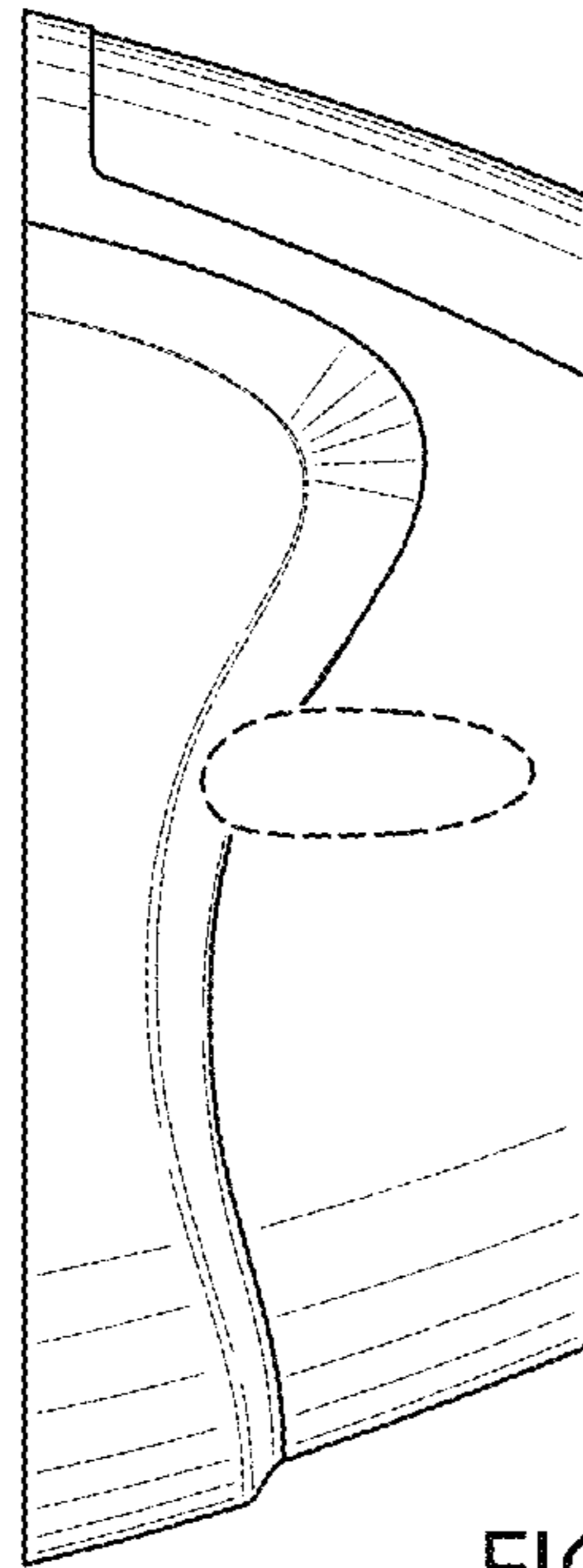


FIG. 3

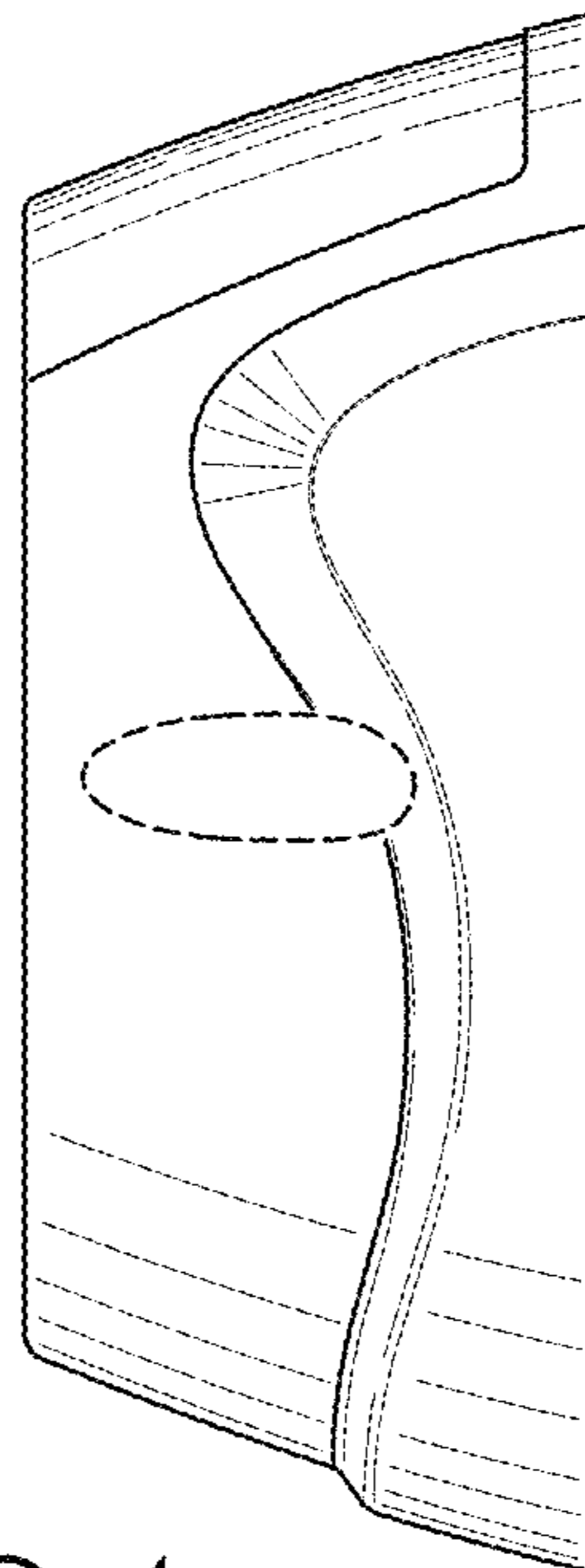


FIG. 4

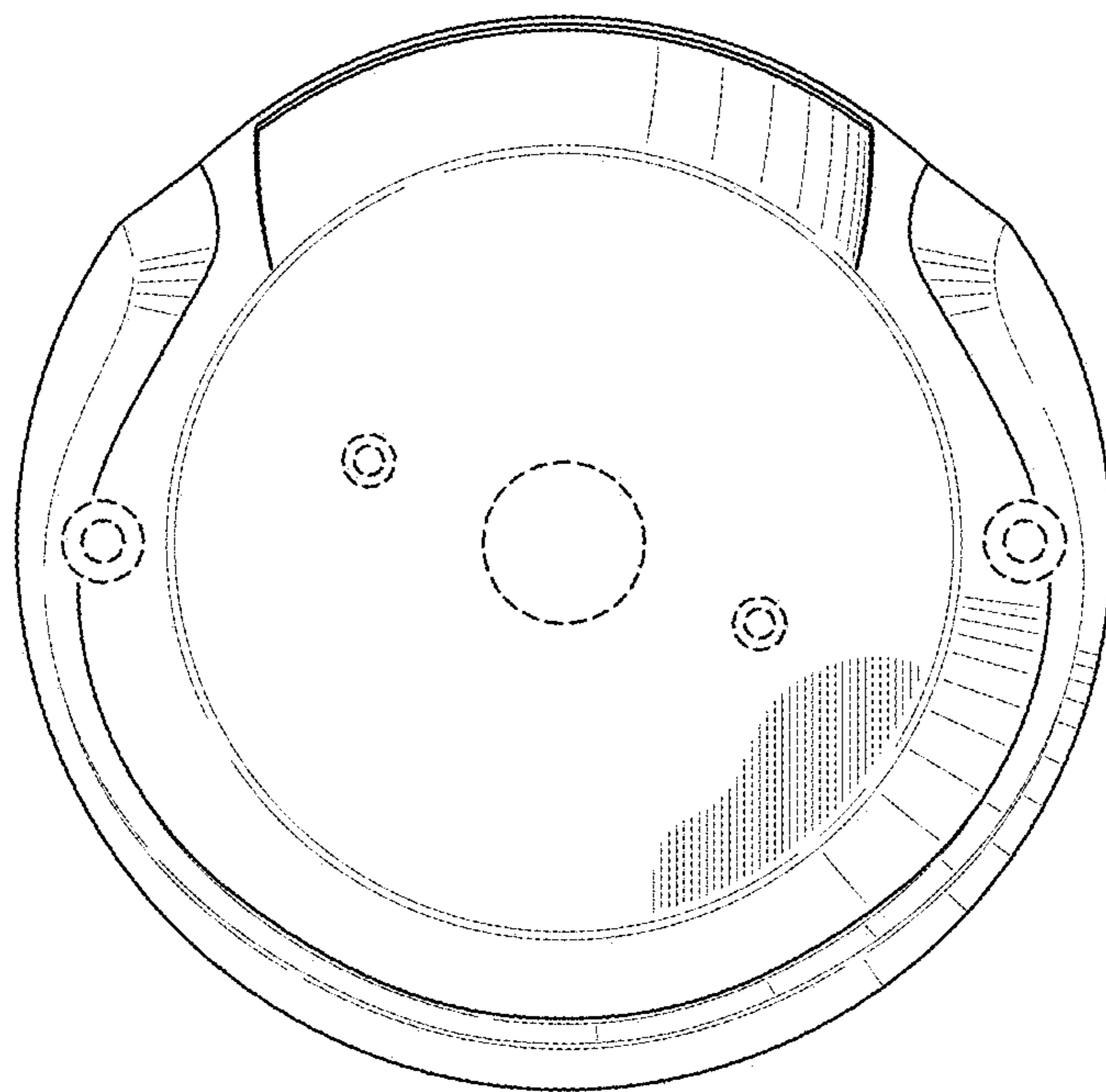


FIG. 5

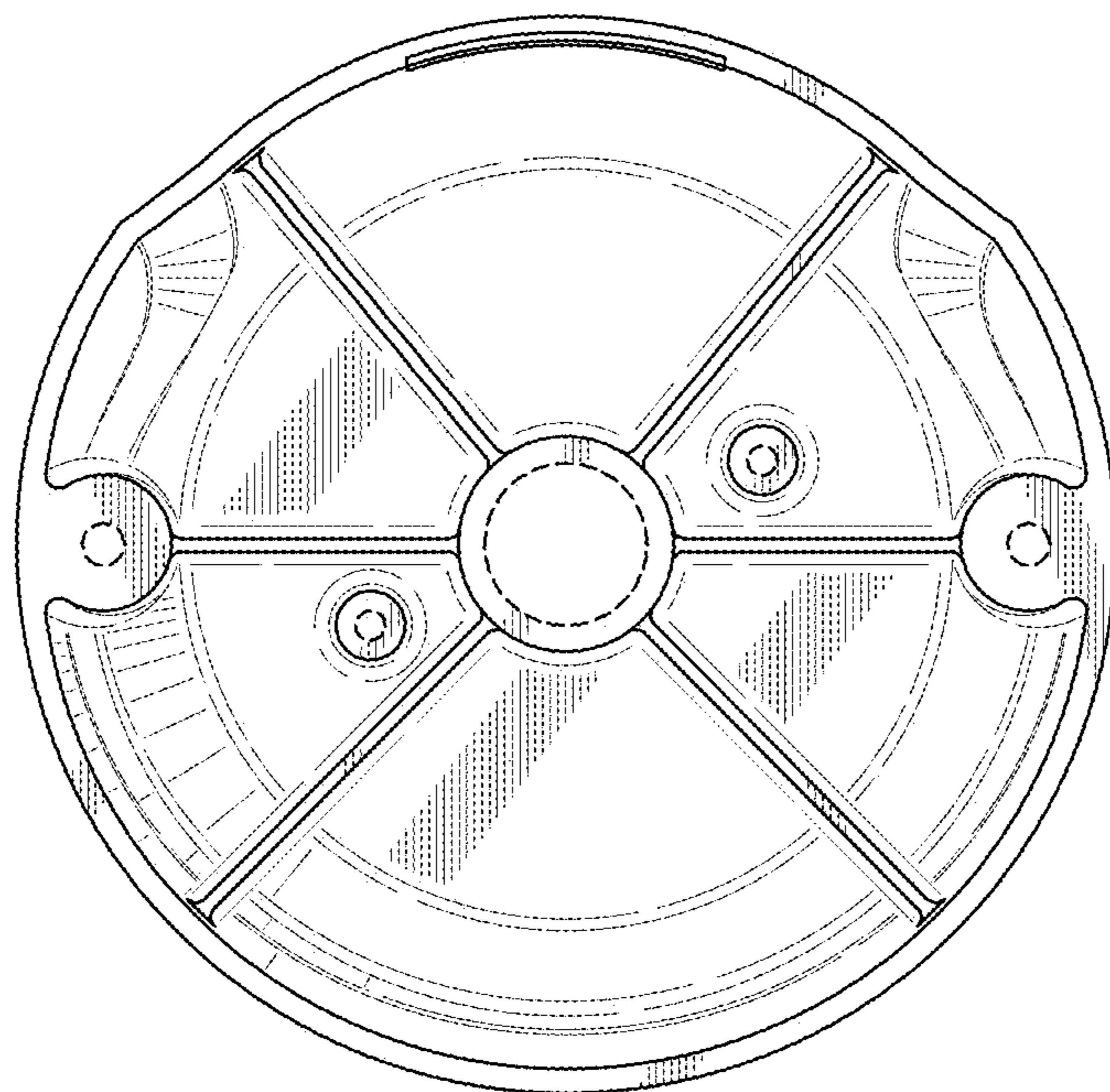


FIG. 6

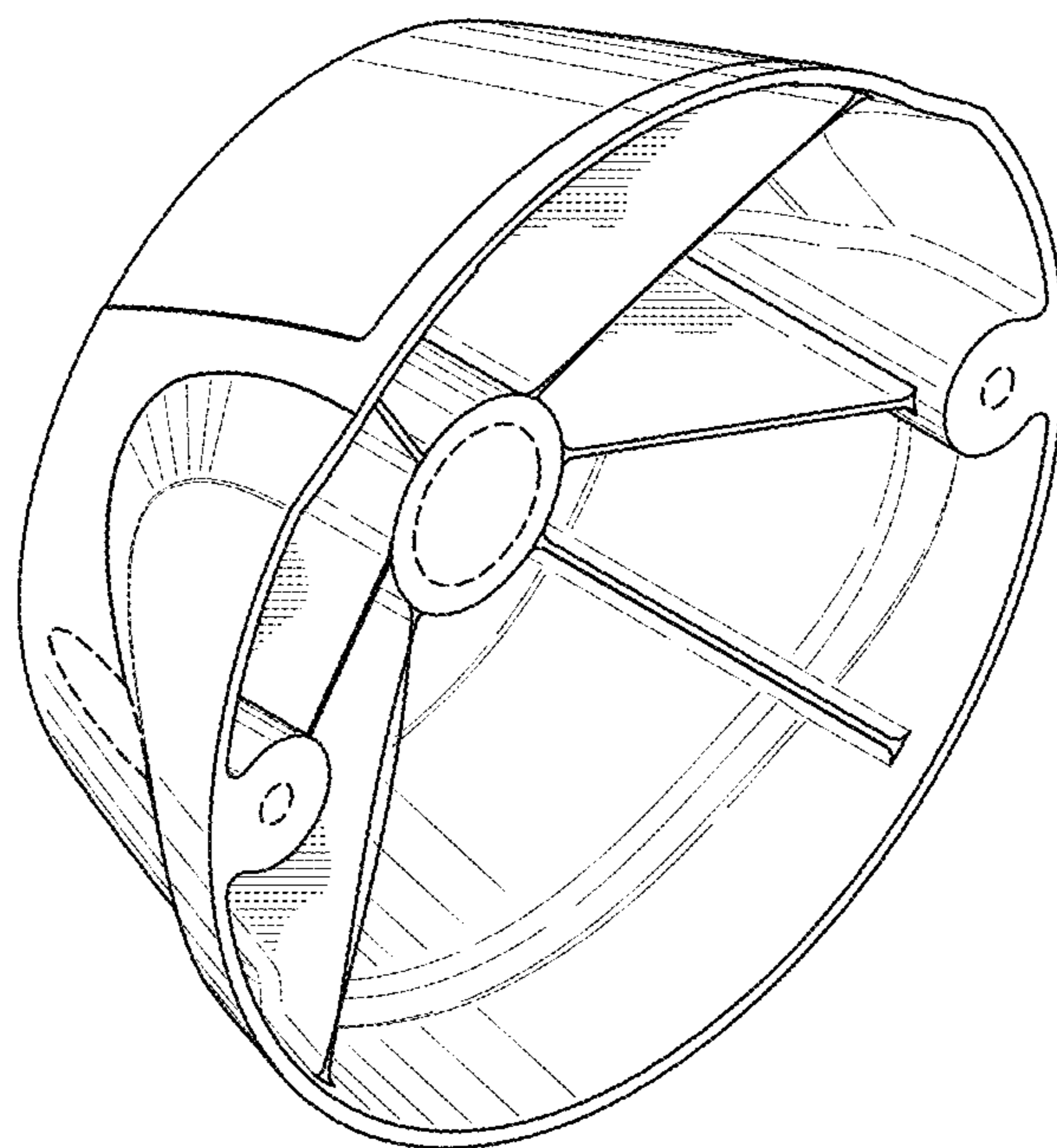


FIG. 7

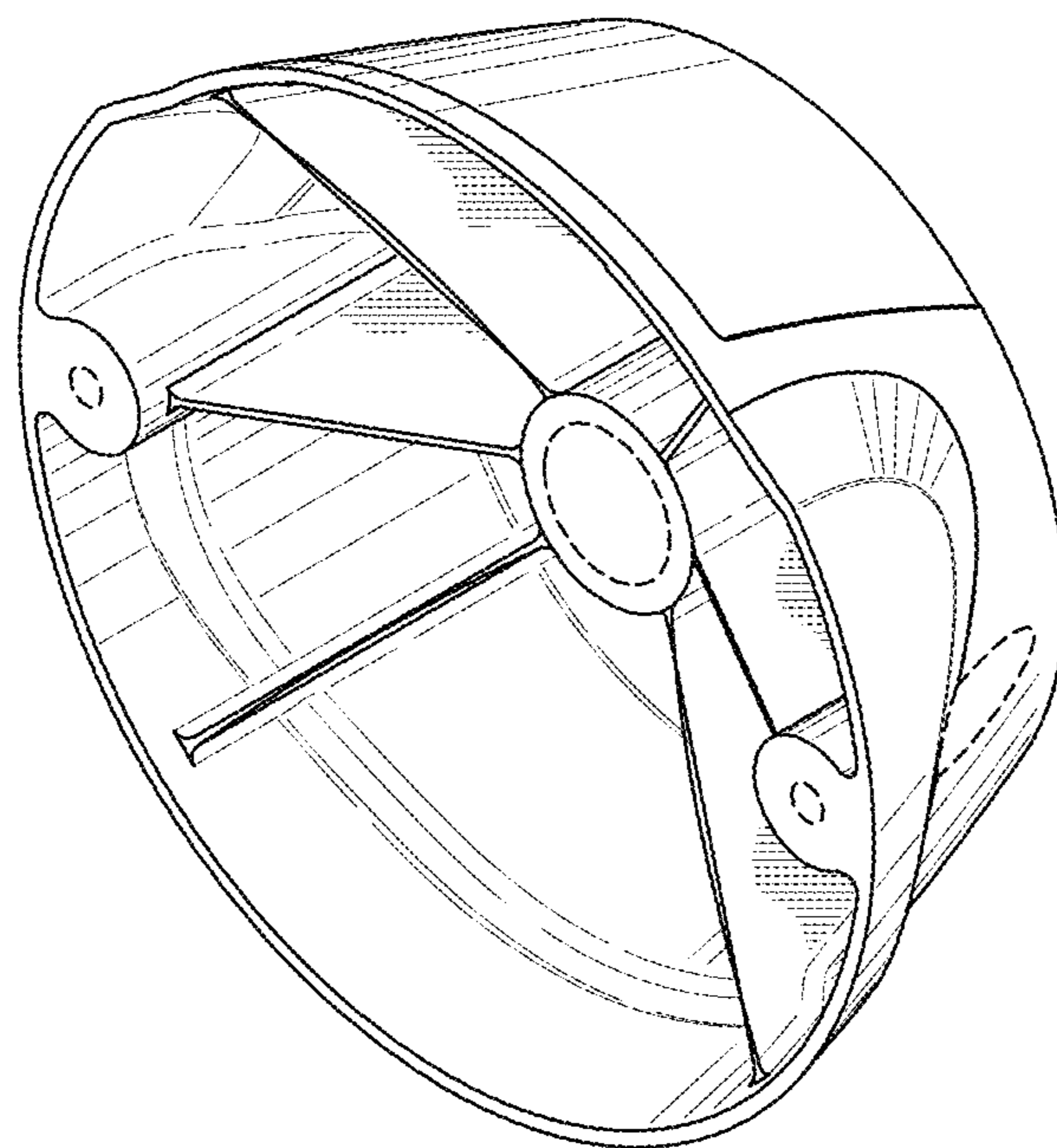


FIG. 8