



US00D706206S

(12) **United States Design Patent**
Mainville et al.

(10) **Patent No.:** **US D706,206 S**
(45) **Date of Patent:** **** Jun. 3, 2014**

(54) **STEERING BEZEL**

(75) Inventors: **Patrick Mainville**, Montreal (CA);
Antoine Dubois, Montreal (CA)

(73) Assignee: **Marine Aquisition**, Limerick, PA (US)

(**) Term: **14 Years**

(21) Appl. No.: **29/404,061**

(22) Filed: **Oct. 14, 2011**

(51) **LOC (10) Cl.** **12-06**

(52) **U.S. Cl.**
USPC **D12/317**

(58) **Field of Classification Search**
USPC D12/175, 176, 177, 317; 114/23, 144 R,
114/15, 160; 74/493; 440/53
See application file for complete search history.

(56) **References Cited**

U.S. PATENT DOCUMENTS

D173,683	S	*	12/1954	Sinko	D12/177
D176,298	S	*	12/1955	Whitehouse	D12/177
D185,608	S	*	6/1959	Mainzinger	D12/177
4,467,667	A	*	8/1984	Baba	74/493
4,531,921	A	*	7/1985	Teraura et al.	440/53
5,136,894	A	*	8/1992	Carter et al.	74/493
5,676,081	A	*	10/1997	Kobelt	114/144 R
6,588,354	B2	*	7/2003	Gai	114/144 R
D511,490	S	*	11/2005	Zeiger	D12/317
D562,753	S		2/2008	Wall et al.		
D562,754	S		2/2008	Wall et al.		
2005/0166819	A1	*	8/2005	Zeiger	114/144 R

* cited by examiner

Primary Examiner — Cynthia M Chin

(74) *Attorney, Agent, or Firm* — Berenato & White, LLC

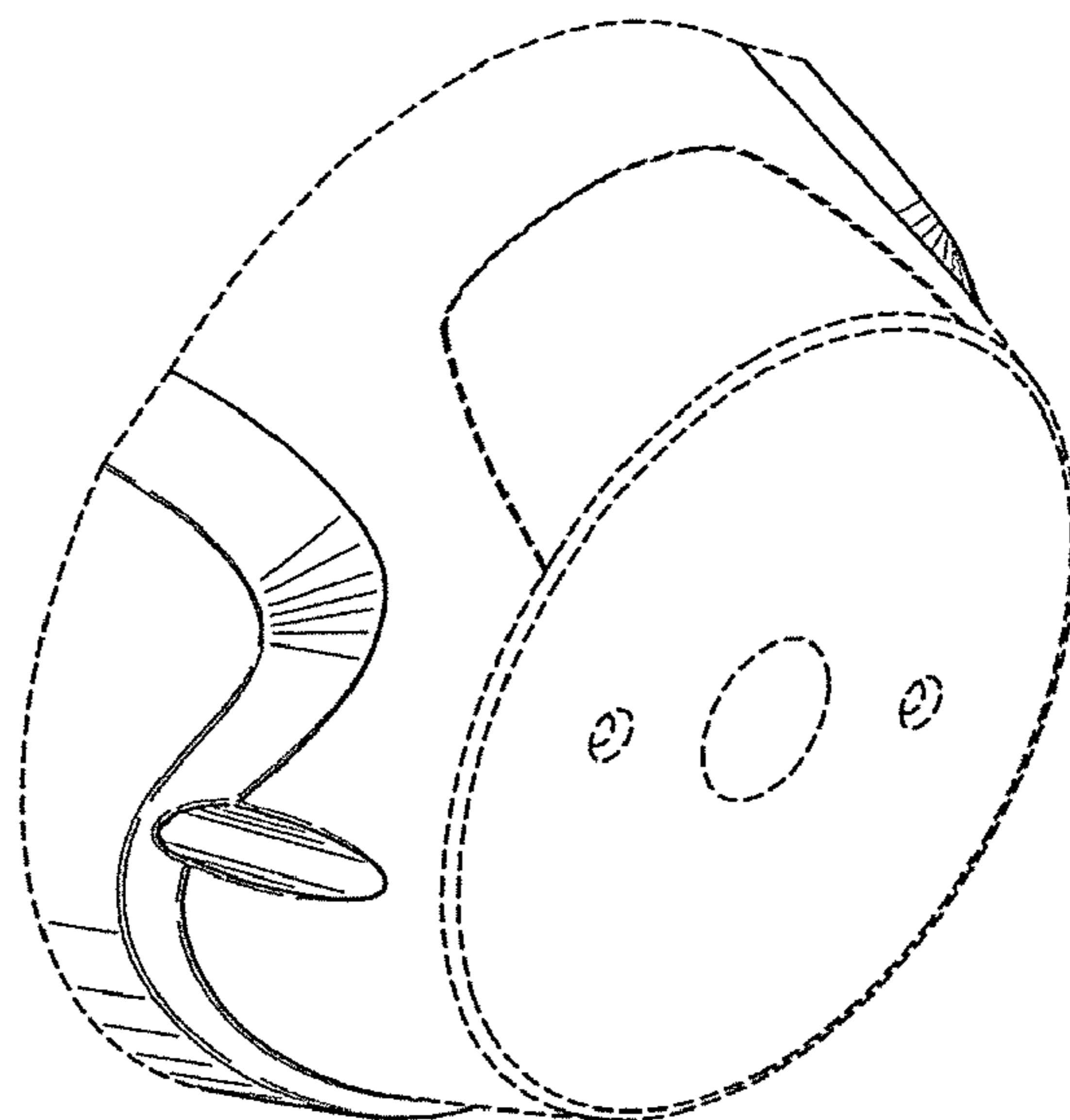
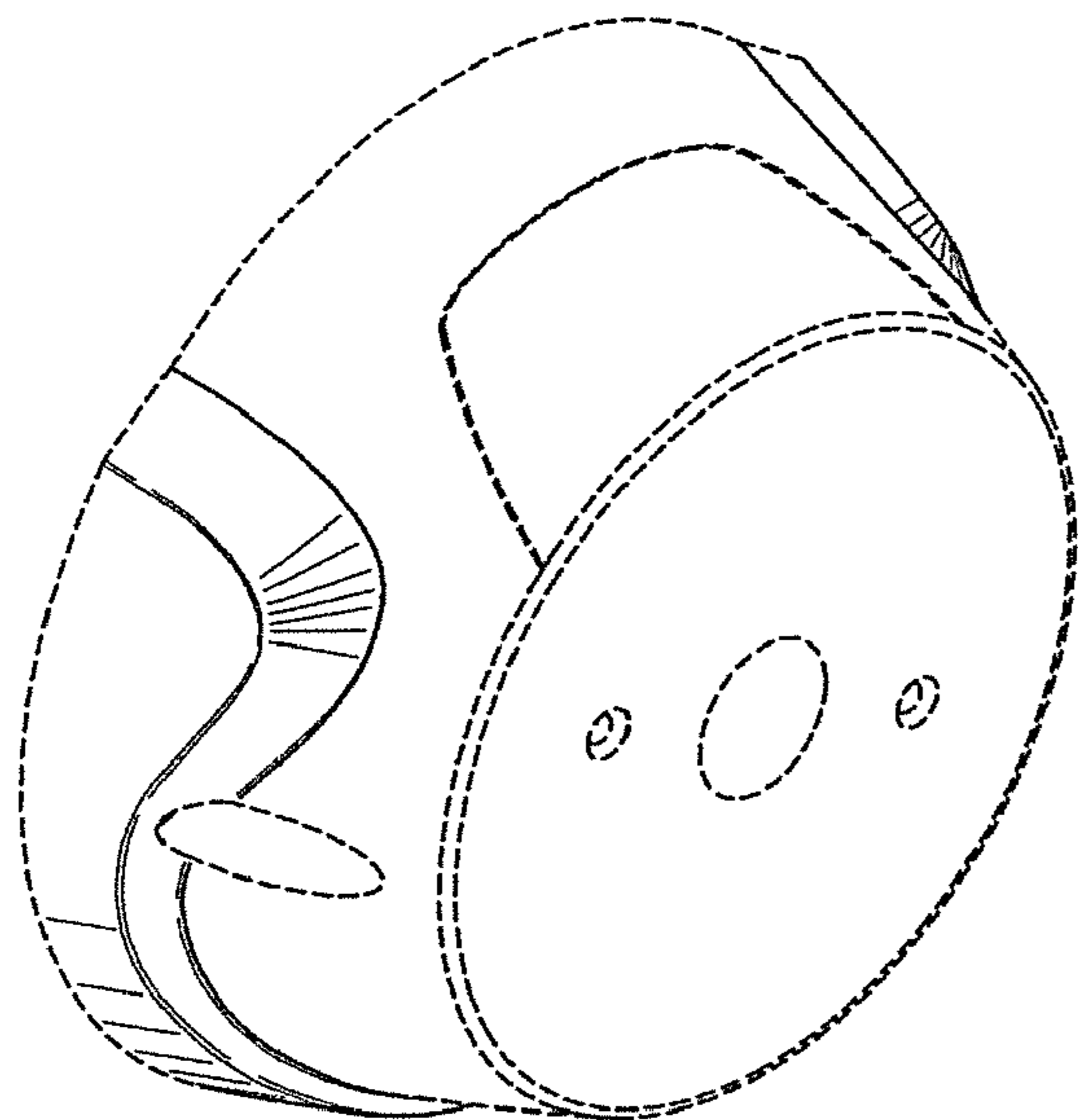
(57) **CLAIM**

The ornamental design for a steering bezel, as shown and described.

DESCRIPTION

FIG. 1 is a side perspective view of a first embodiment of our design;
 FIG. 2 is a side perspective view of the design of FIG. 1 shown from the opposite side;
 FIG. 3 is a side elevational view;
 FIG. 4 is a side elevational view from the side opposite to that of FIG. 3;
 FIG. 5 is a front elevational view;
 FIG. 6 is a side perspective view of a second embodiment of our design;
 FIG. 7 is a side perspective view of the design of FIG. 6 shown from the opposite side;
 FIG. 8 is a side elevational view;
 FIG. 9 is a side elevational view from the side opposite to that of FIG. 8;
 FIG. 10 is a front elevational view; and,
 FIG. 11 is a rear elevational view common to all embodiments.
 The dashed lines of the various figures are to illustrate environment and form no portion of the claimed design.

1 Claim, 7 Drawing Sheets



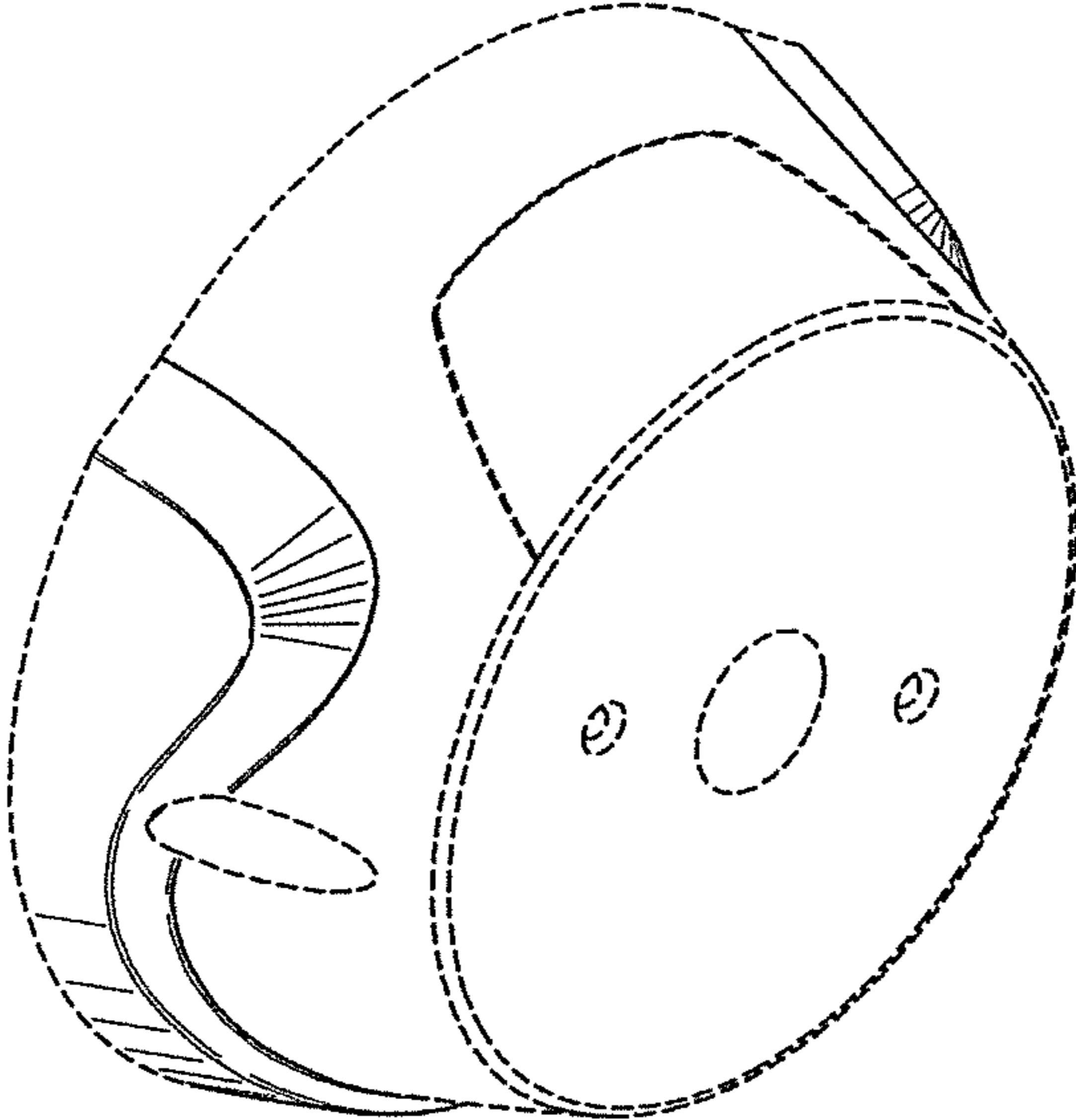


Fig. 1

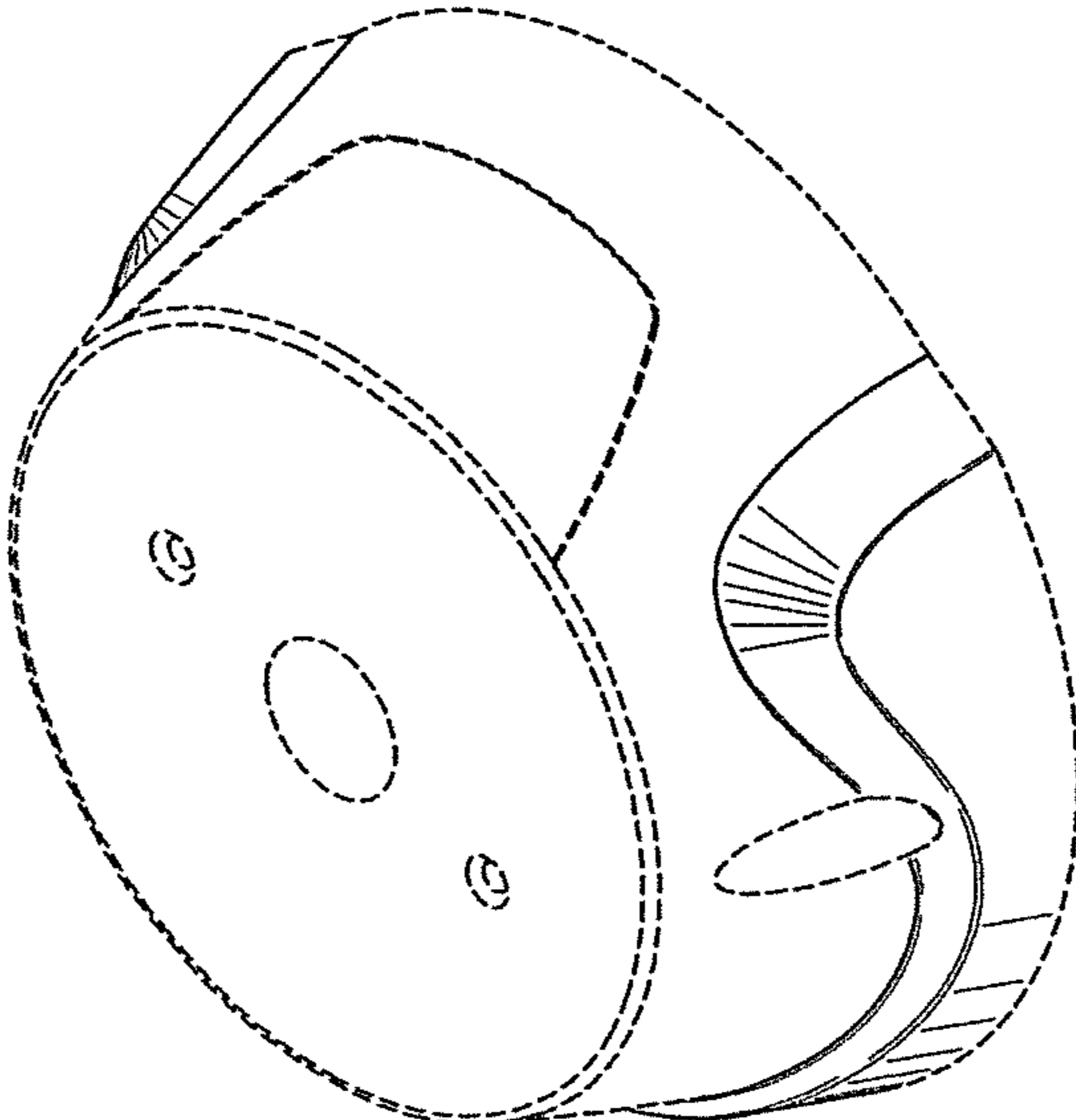


Fig. 2

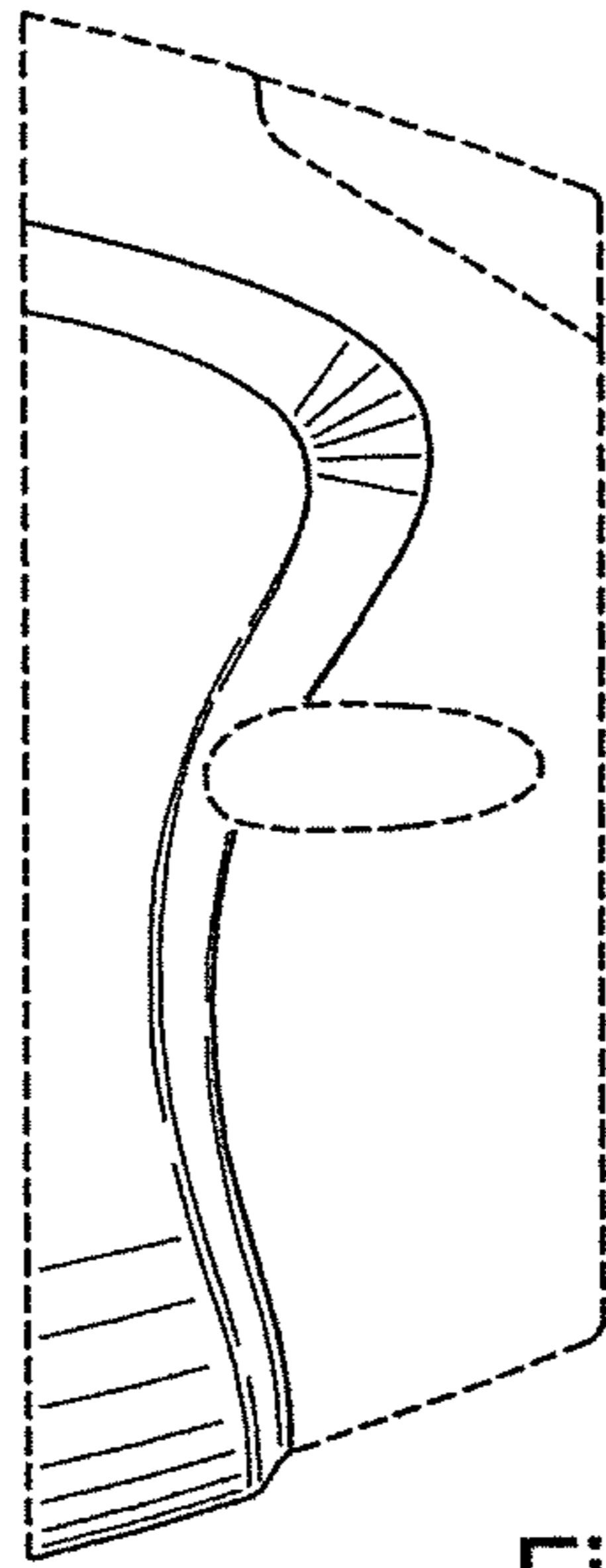


Fig. 3

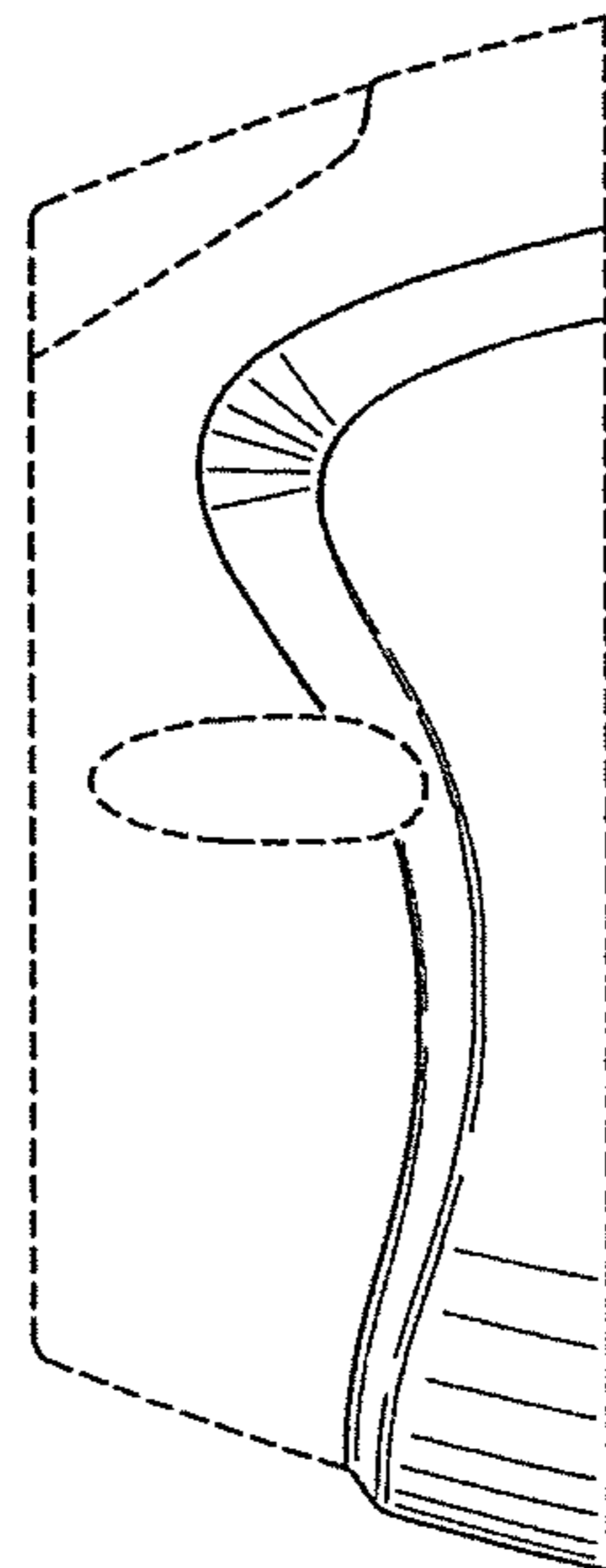


Fig. 4

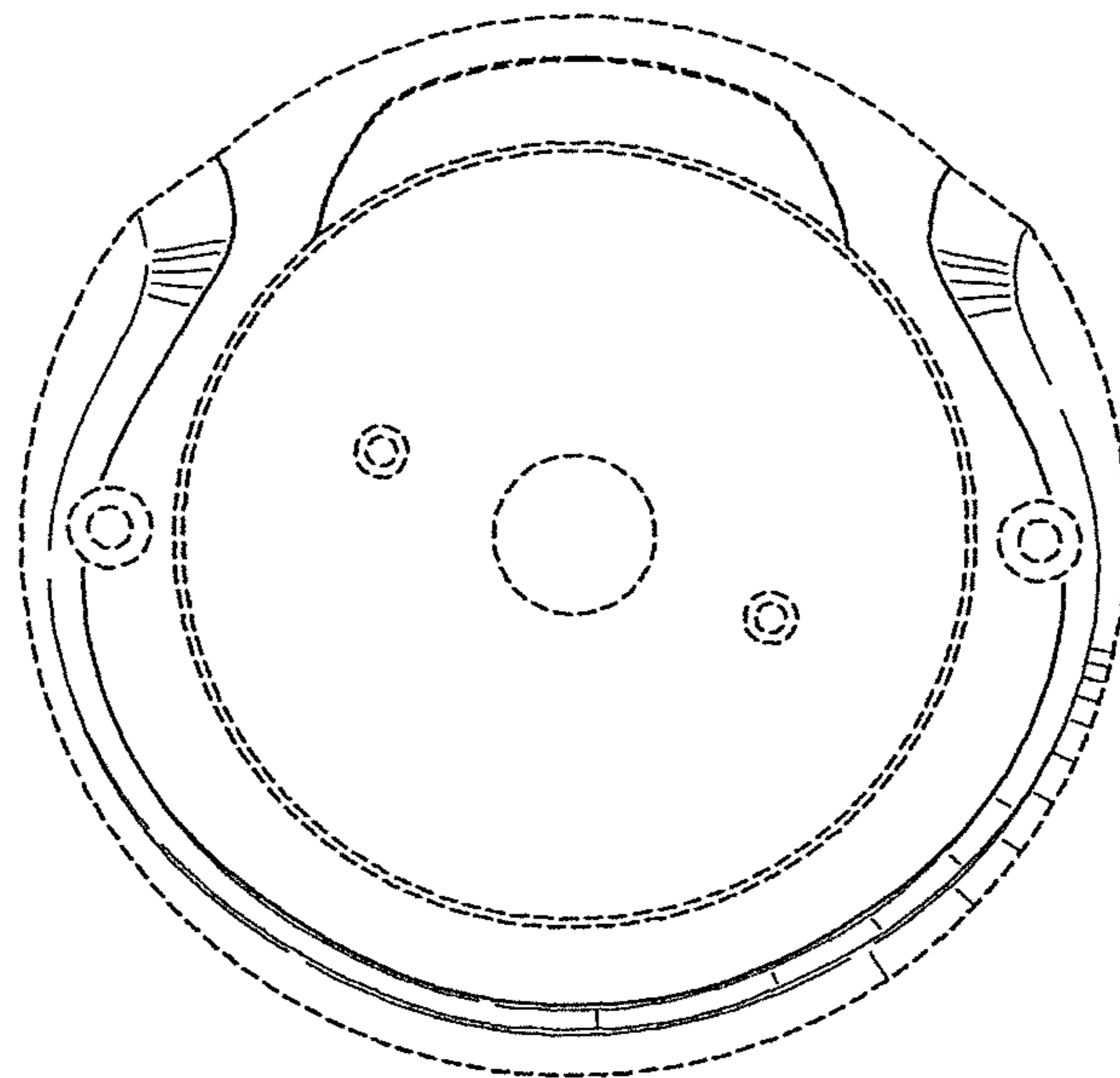


Fig. 5

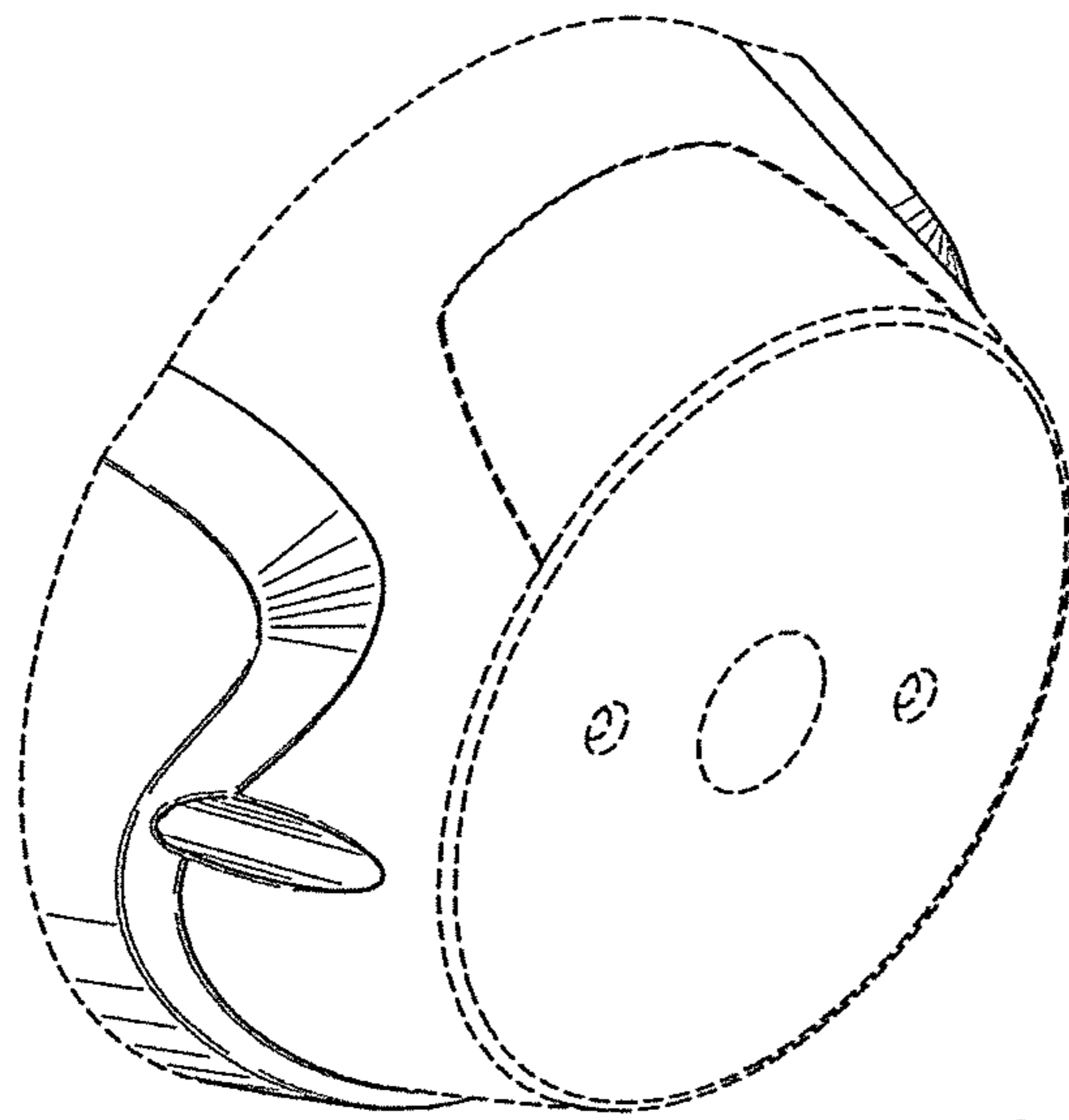


Fig. 6

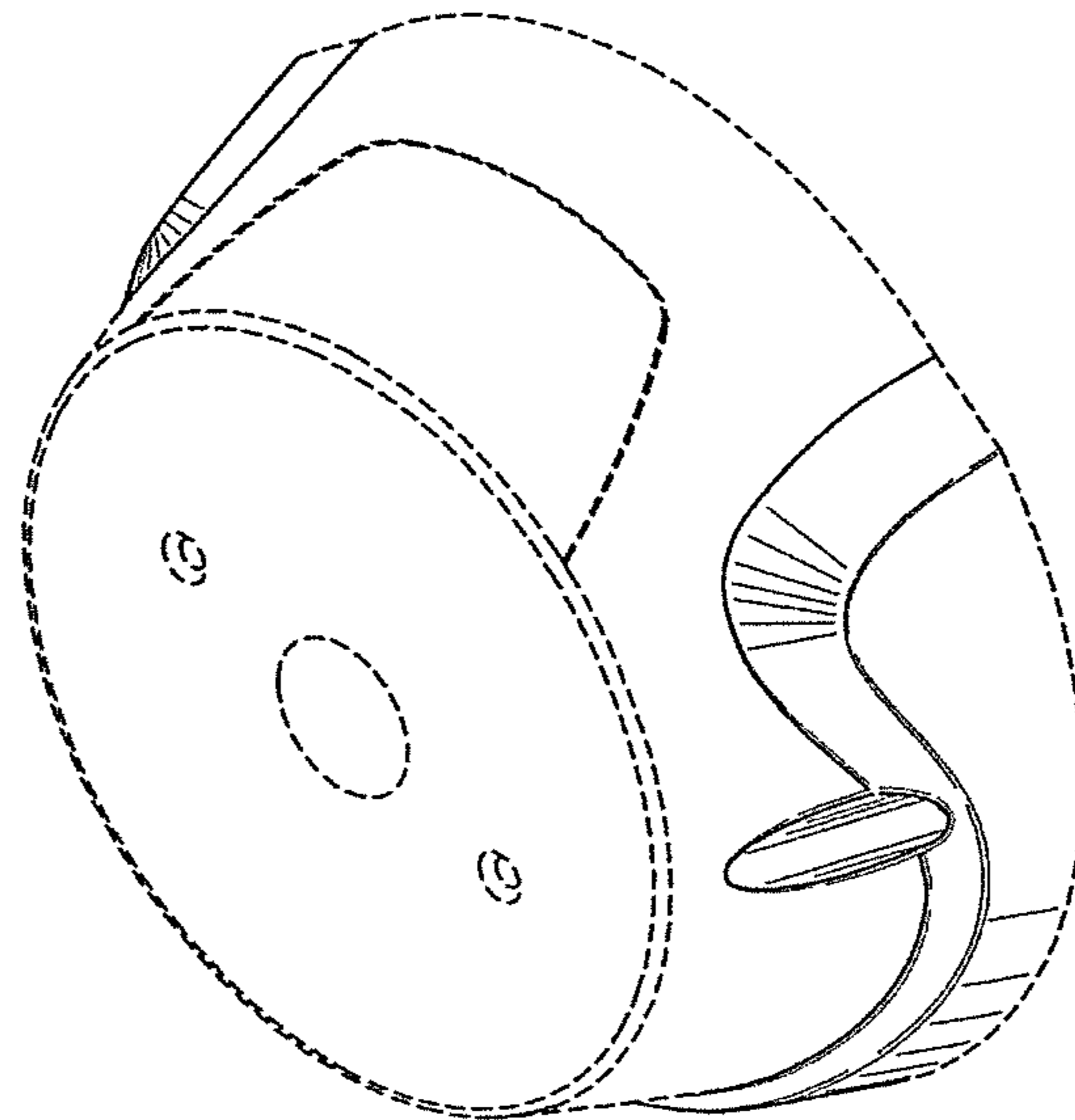


Fig. 7

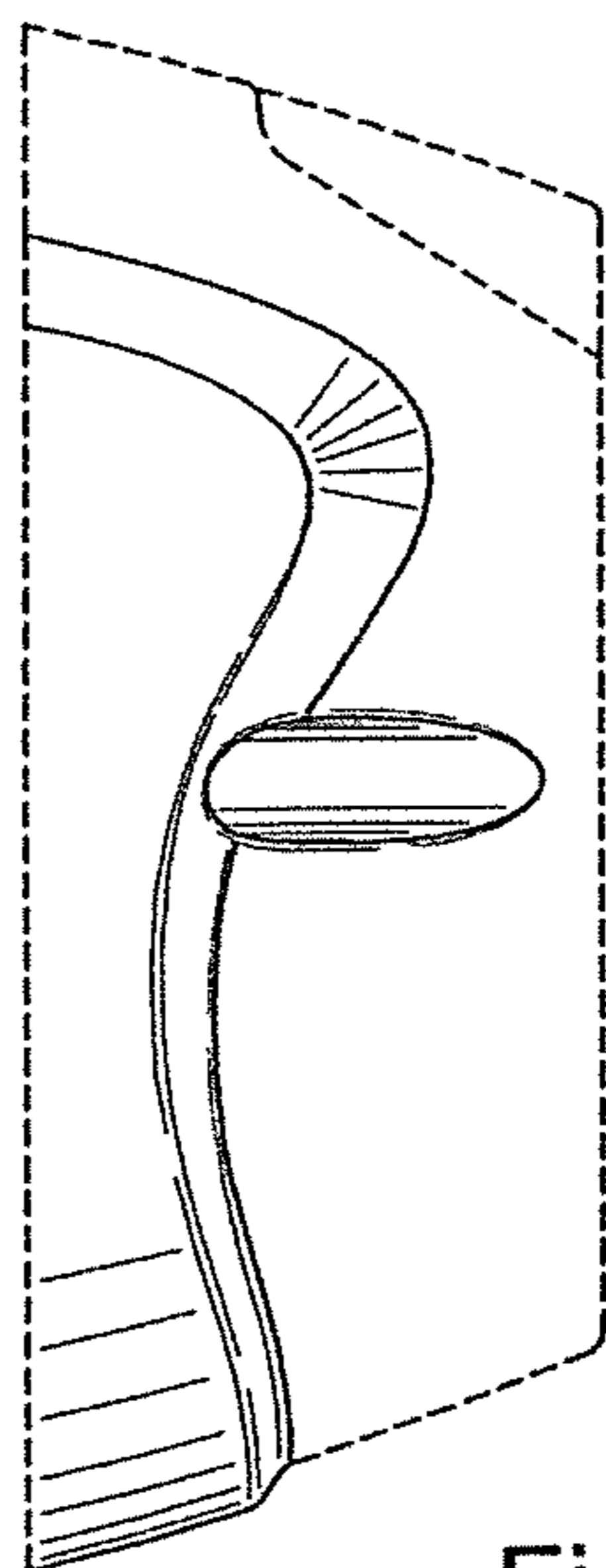


Fig. 8

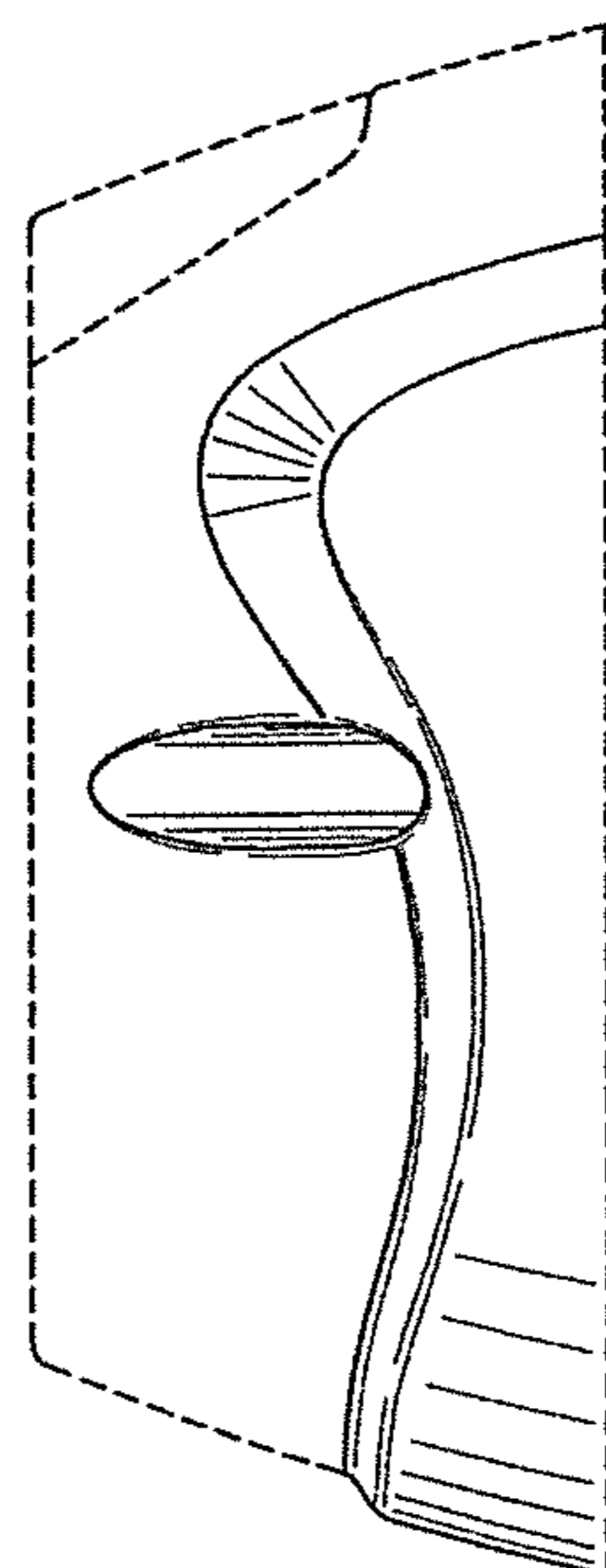


Fig. 9

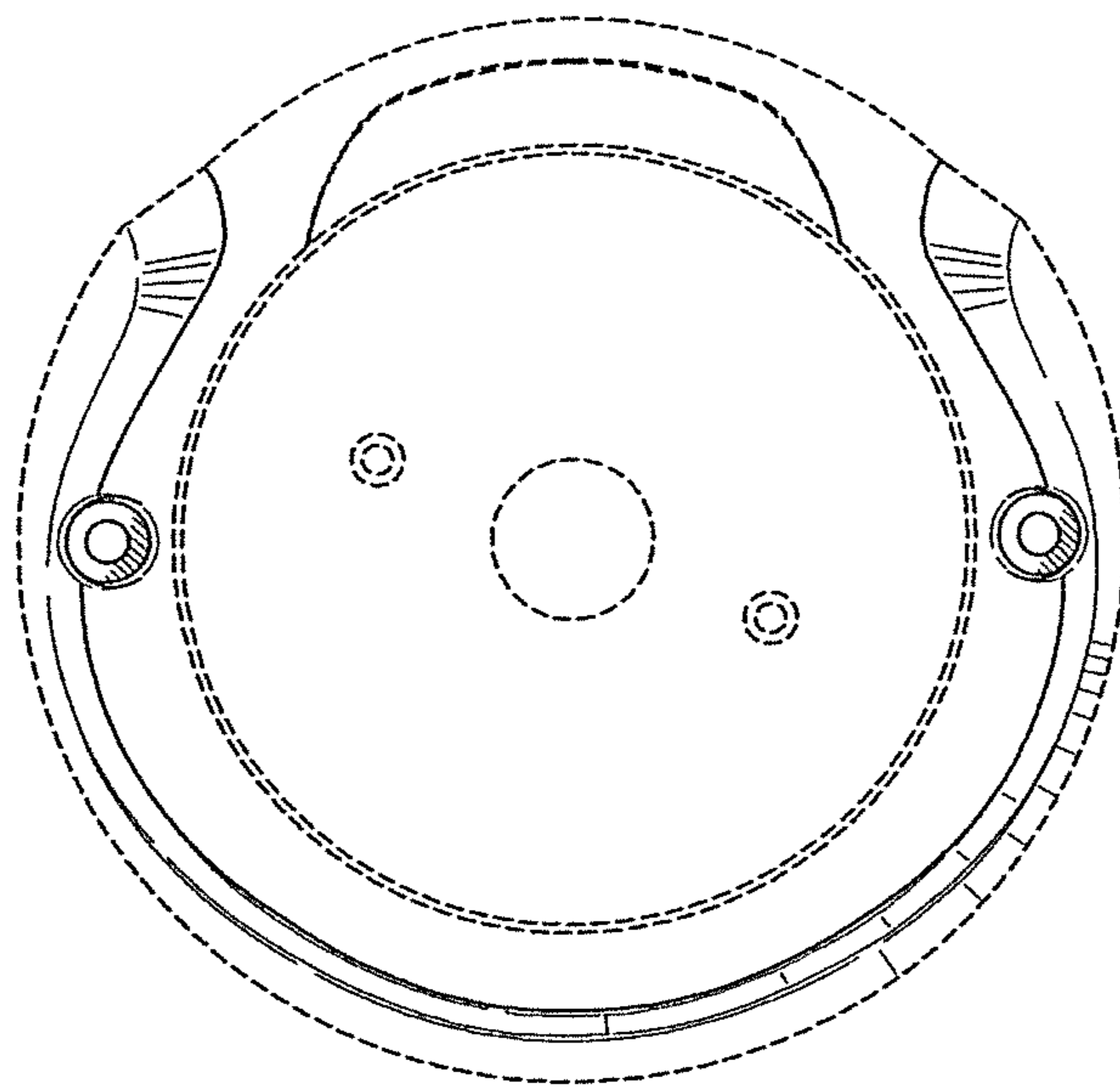
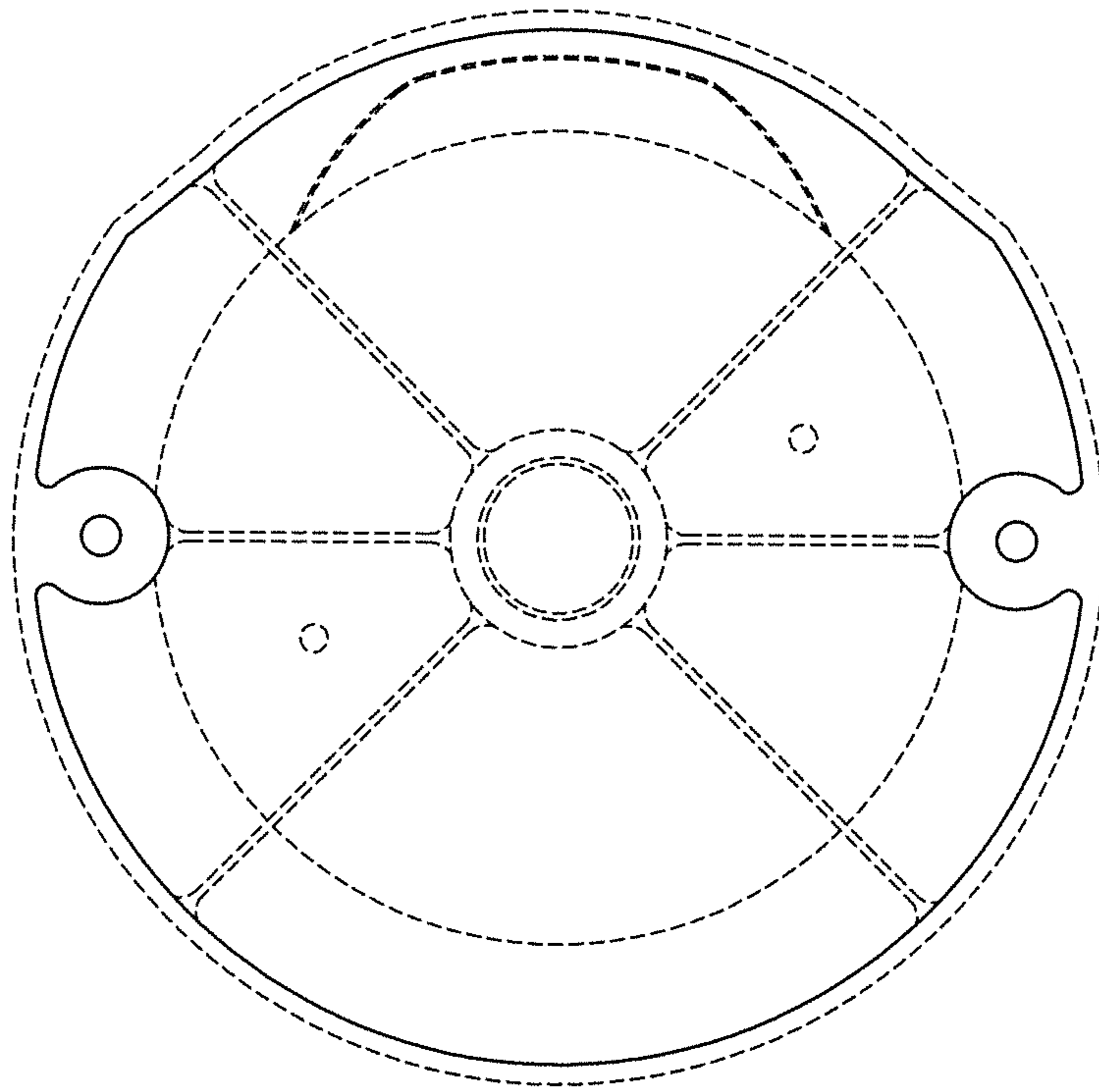


Fig. 10

Fig. 11



UNITED STATES PATENT AND TRADEMARK OFFICE
CERTIFICATE OF CORRECTION

PATENT NO. : D706,206 S
APPLICATION NO. : 29/404061
DATED : June 3, 2014
INVENTOR(S) : Mainville et al.

Page 1 of 1

It is certified that error appears in the above-identified patent and that said Letters Patent is hereby corrected as shown below:

Title Page

Change the Assignee's name "Marine Aquisition" to read --Marine Acquisition (US) Incorporated--

Signed and Sealed this
Nineteenth Day of May, 2015



Michelle K. Lee
Director of the United States Patent and Trademark Office