



US00D706205S

(12) **United States Design Patent**
Bradley

(10) **Patent No.:** **US D706,205 S**

(45) **Date of Patent:** **** Jun. 3, 2014**

(54) **BOAT OUTBOARD SLED**

(71) Applicant: **Todd Bradley**, Honolulu, HI (US)

(72) Inventor: **Todd Bradley**, Honolulu, HI (US)

(**) Term: **14 Years**

(21) Appl. No.: **29/451,482**

(22) Filed: **Apr. 2, 2013**

(51) **LOC (10) Cl.** **12-06**

(52) **U.S. Cl.**
USPC **D12/316**

(58) **Field of Classification Search**
USPC D12/11, 316, 317; D21/801, 809, 810;
441/65, 80, 82; 114/245, 246; 280/15,
280/18, 19

See application file for complete search history.

(56) **References Cited**

U.S. PATENT DOCUMENTS

2,841,406 A * 7/1958 Brandon 441/65
D255,820 S * 7/1980 Borden et al. D21/767

4,929,207 A * 5/1990 Piatt 441/65
D349,744 S * 8/1994 Wolfe D12/316
D400,624 S * 11/1998 Hornsby et al. D21/801

* cited by examiner

Primary Examiner — Cynthia M Chin

(74) *Attorney, Agent, or Firm* — Leighton K. Chong

(57) **CLAIM**

The ornamental design for a boat outboard sled, as shown and described.

DESCRIPTION

FIG. 1 is a front perspective view of my new design for a boat outboard sled;

FIG. 2 is a top view of the article in FIG. 1;

FIG. 3 is a bottom view of the article in FIG. 1;

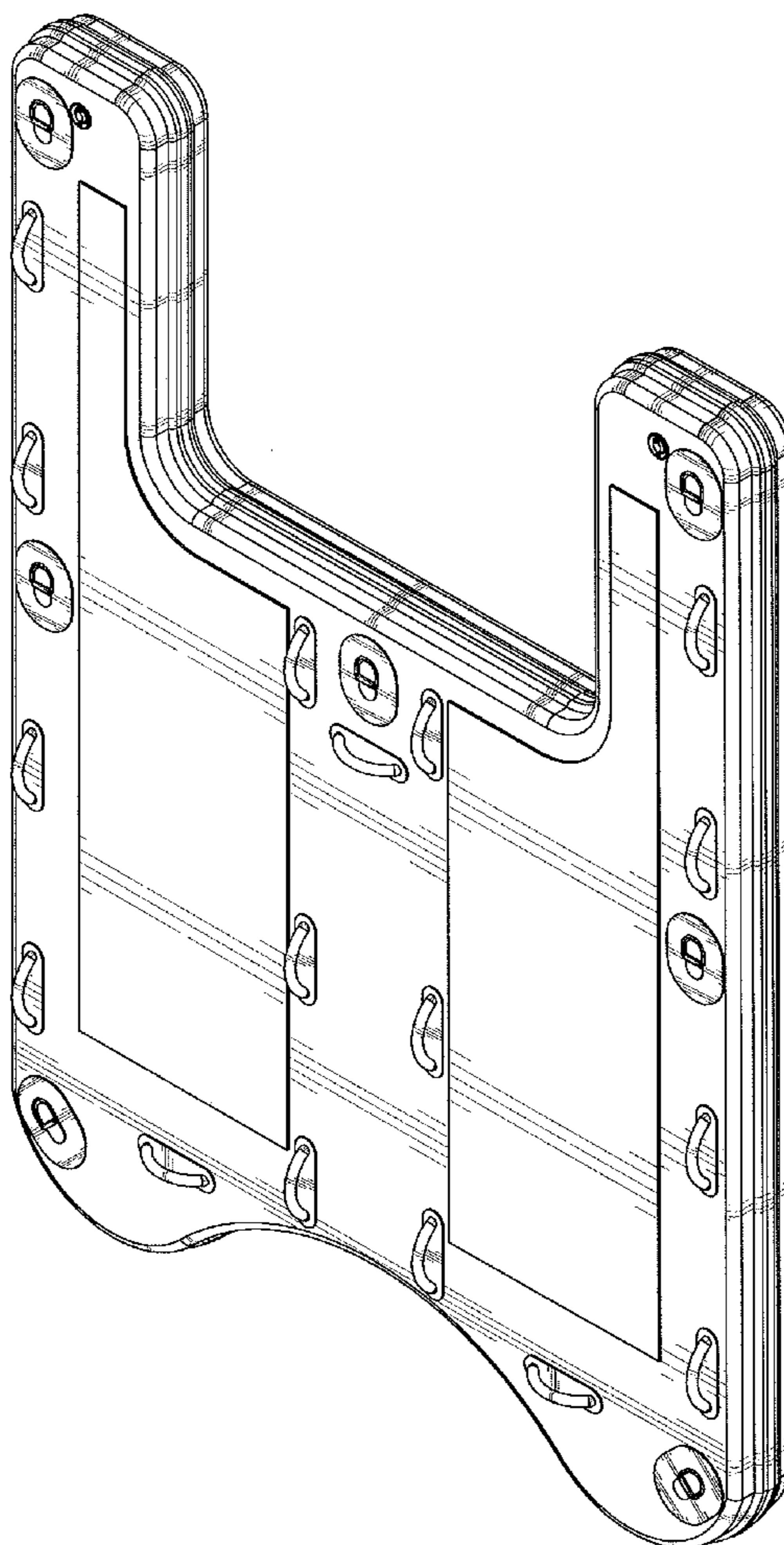
FIG. 4 is a right side view of the article in FIG. 1;

FIG. 5 is a left side view of the article in FIG. 1;

FIG. 6 is a front end view of the article in FIG. 1; and,

FIG. 7 is a back end view of the article in FIG. 1.

1 Claim, 6 Drawing Sheets



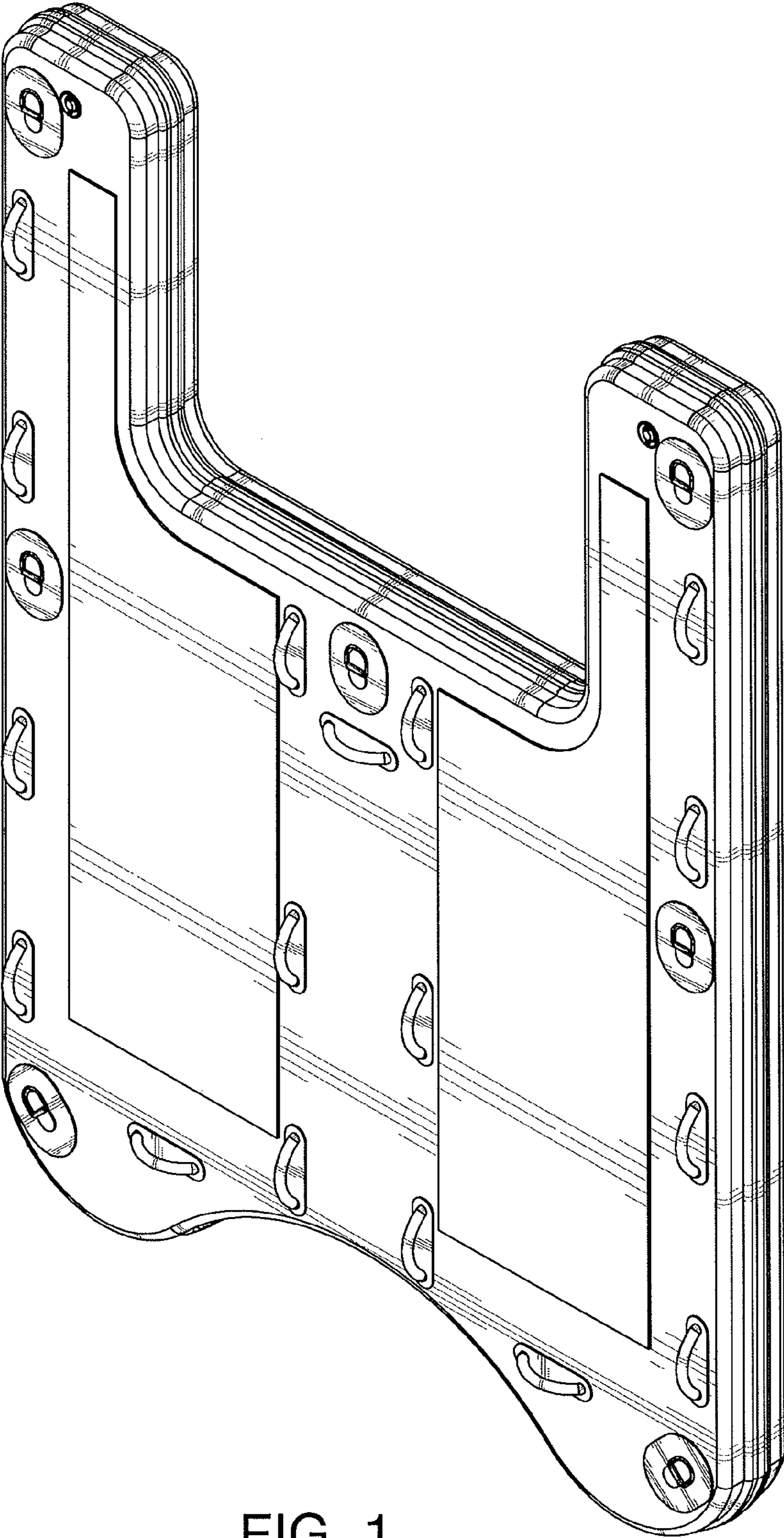


FIG. 1

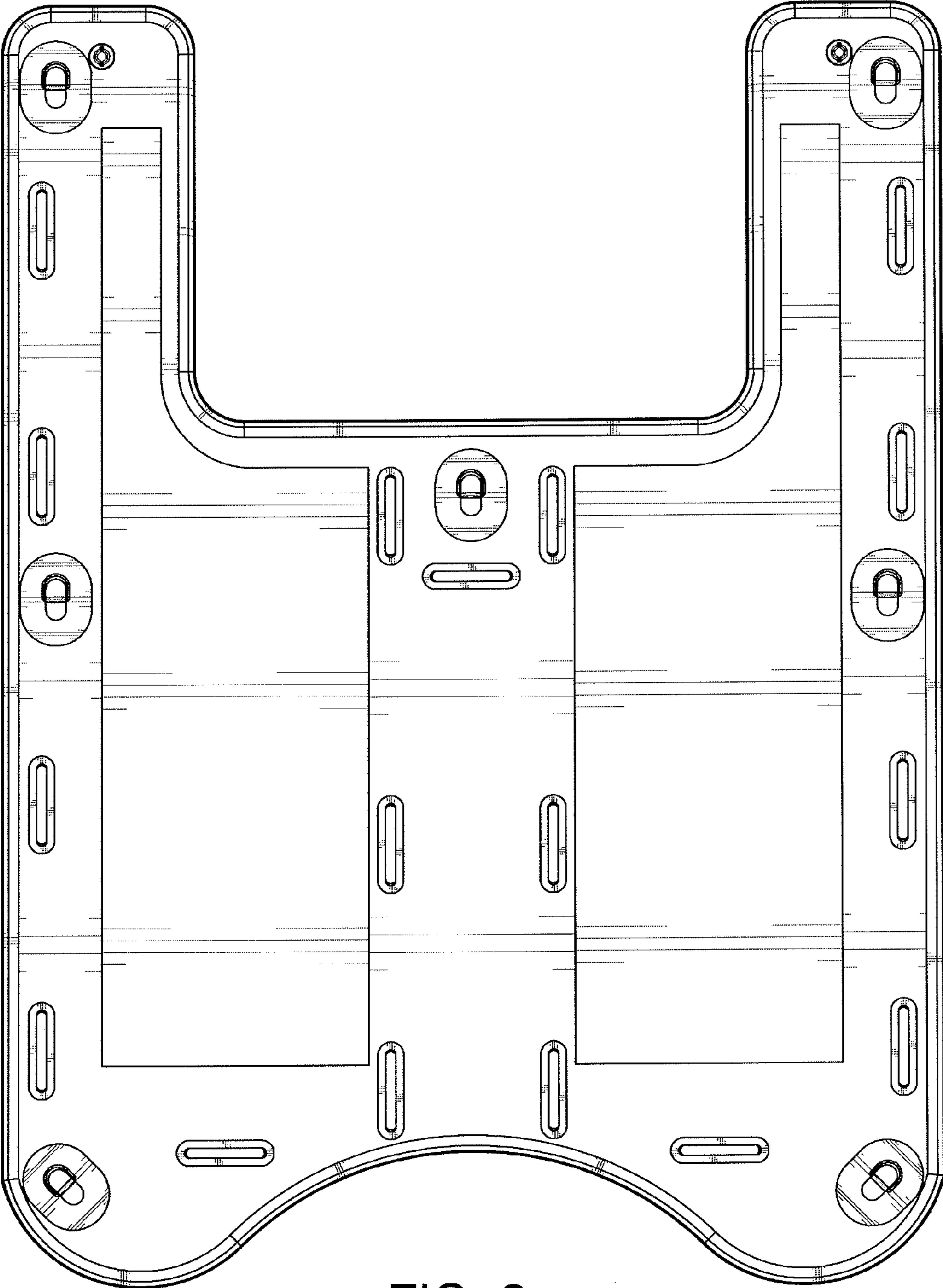


FIG. 2

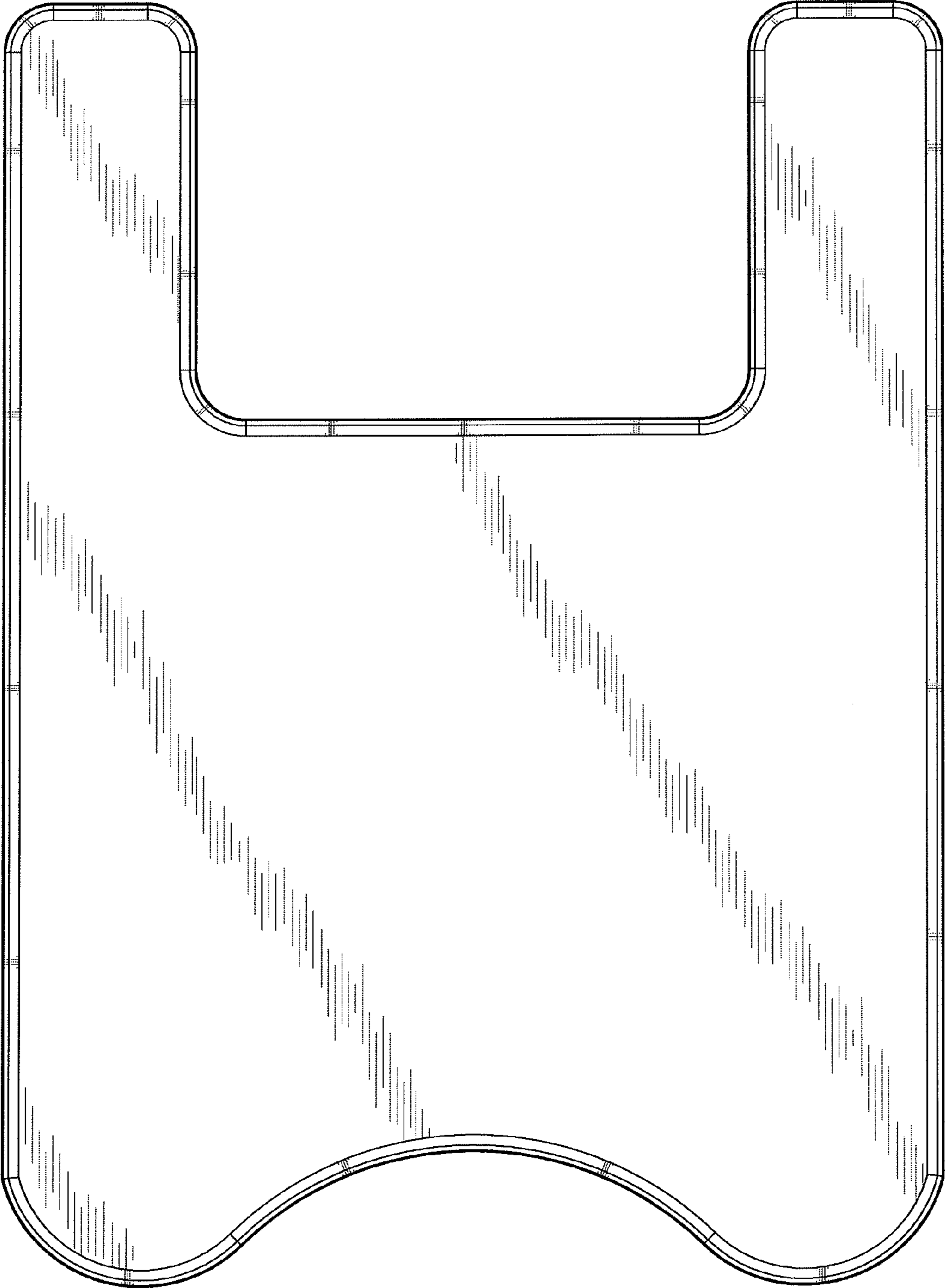


FIG. 3

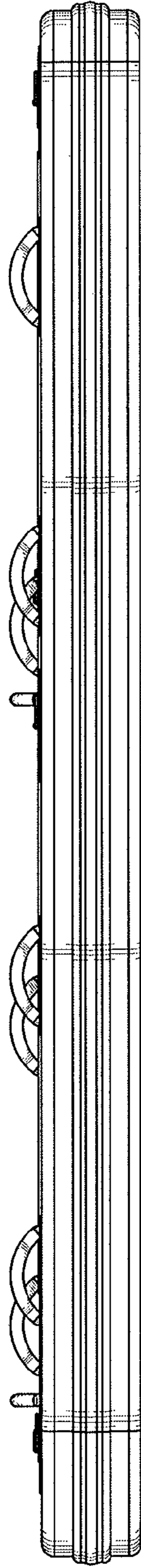


FIG. 4

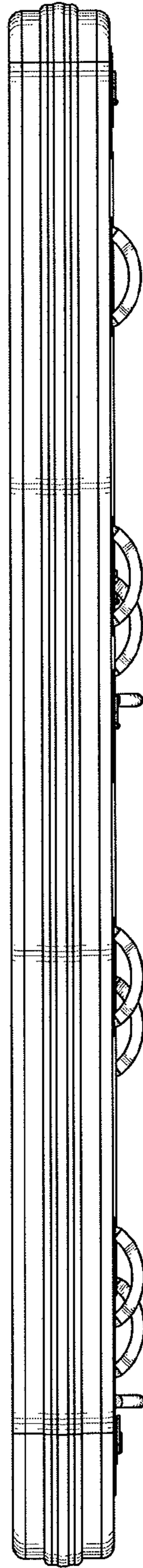


FIG. 5

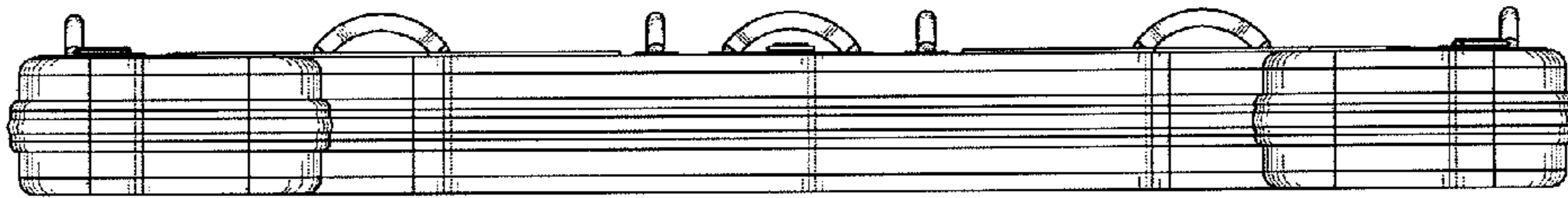


FIG. 6

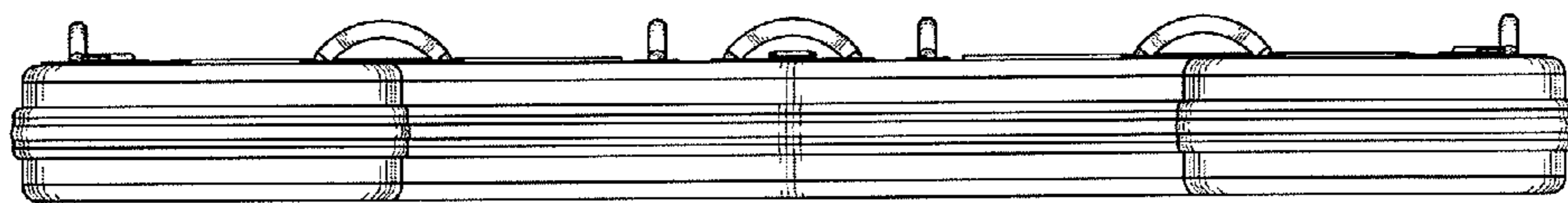


FIG. 7