



US00D706204S

(12) **United States Design Patent**
Bradley

(10) **Patent No.:** **US D706,204 S**
(45) **Date of Patent:** **** Jun. 3, 2014**

- (54) **BOAT INBOARD SLED**
- (71) Applicant: **Todd Bradley**, Honolulu, HI (US)
- (72) Inventor: **Todd Bradley**, Honolulu, HI (US)
- (**) Term: **14 Years**
- (21) Appl. No.: **29/451,481**
- (22) Filed: **Apr. 2, 2013**
- (51) **LOC (10) Cl.** **12-06**
- (52) **U.S. Cl.**
USPC **D12/316**
- (58) **Field of Classification Search**
USPC D12/11, 316, 317; D21/801, 809, 810;
441/65, 80, 82; 114/245, 246; 280/15,
280/18, 19
See application file for complete search history.

- D301,322 S * 5/1989 Lee D12/11
- D314,033 S * 1/1991 Chang D12/316
- 5,239,940 A * 8/1993 Griffin 114/353
- 5,354,222 A * 10/1994 Elias 441/80
- D580,006 S * 11/2008 Peterson D21/809

* cited by examiner

Primary Examiner — Cynthia M Chin

(74) *Attorney, Agent, or Firm* — Leighton K. Chong

(57) **CLAIM**

The ornamental design for a boat inboard sled, as shown and described.

DESCRIPTION

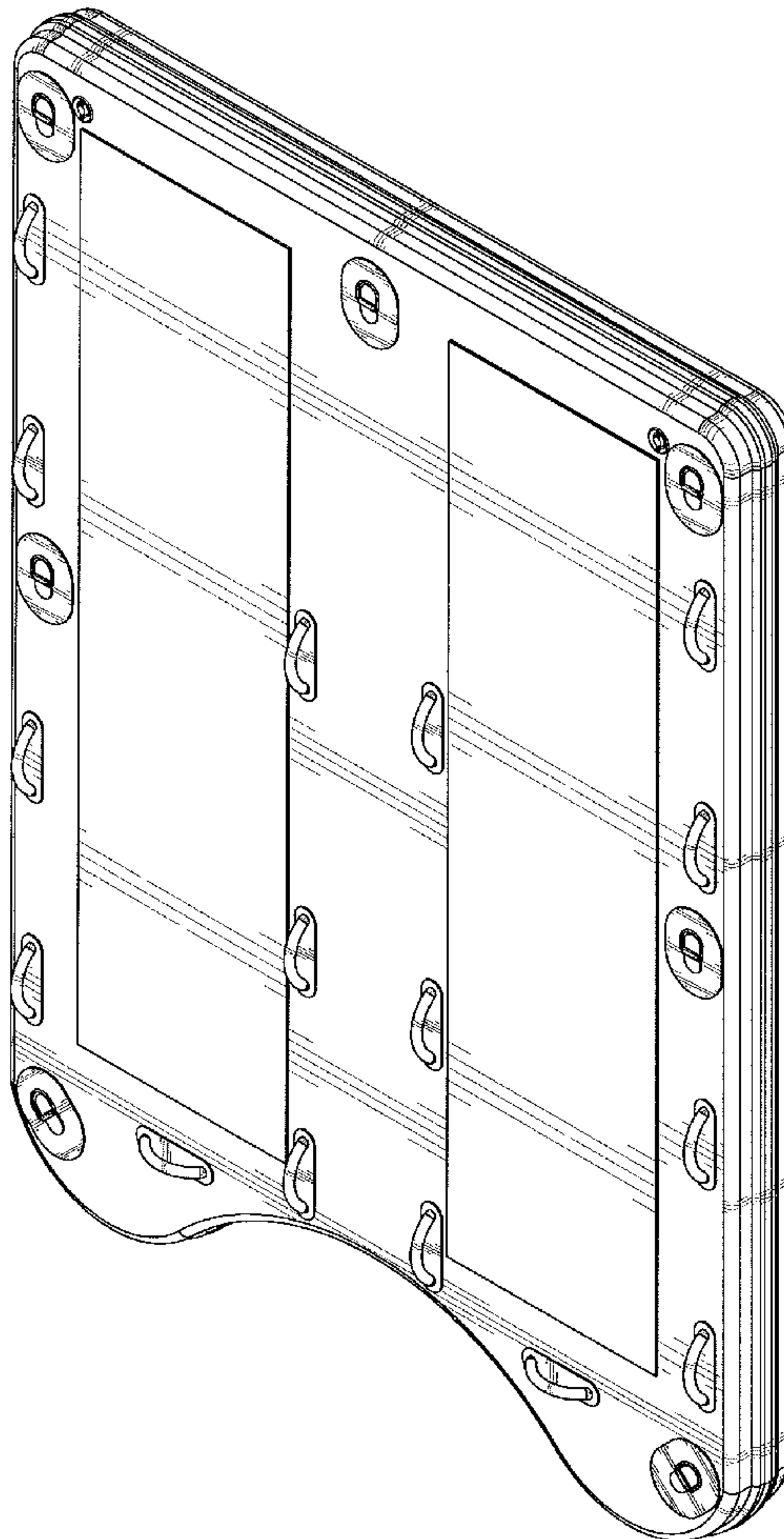
FIG. 1 is a front perspective view of my new design for a boat inboard sled;
 FIG. 2 is a top view of the article in FIG. 1;
 FIG. 3 is a bottom view of the article in FIG. 1;
 FIG. 4 is a right side view of the article in FIG. 1;
 FIG. 5 is a left side view of the article in FIG. 1;
 FIG. 6 is a back end view of the article in FIG. 1; and,
 FIG. 7 is a front end view of the article in FIG. 1.

(56) **References Cited**

U.S. PATENT DOCUMENTS

- 3,711,879 A * 1/1973 Siefert 441/82
- D300,841 S * 4/1989 Minurri D12/11

1 Claim, 6 Drawing Sheets



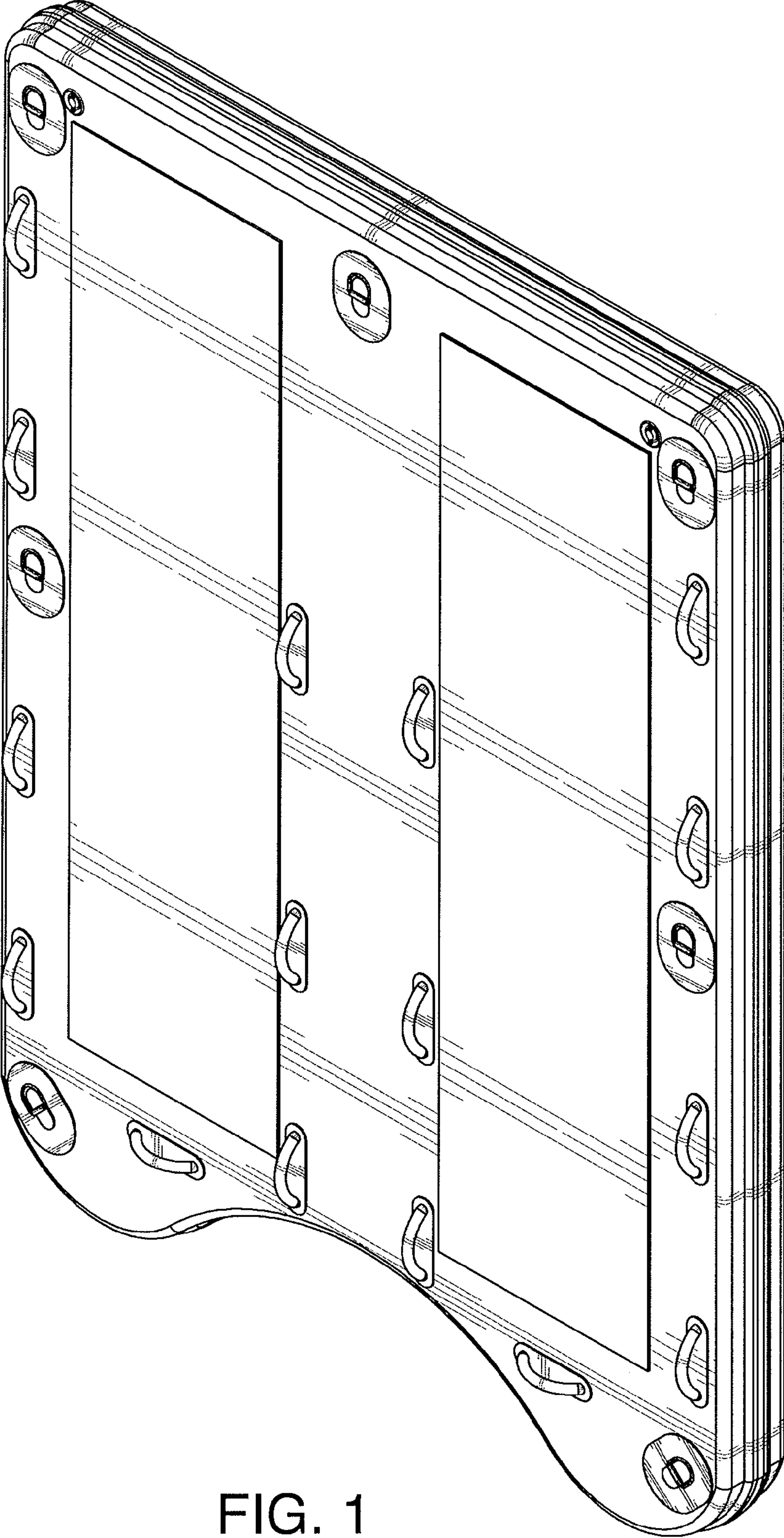


FIG. 1

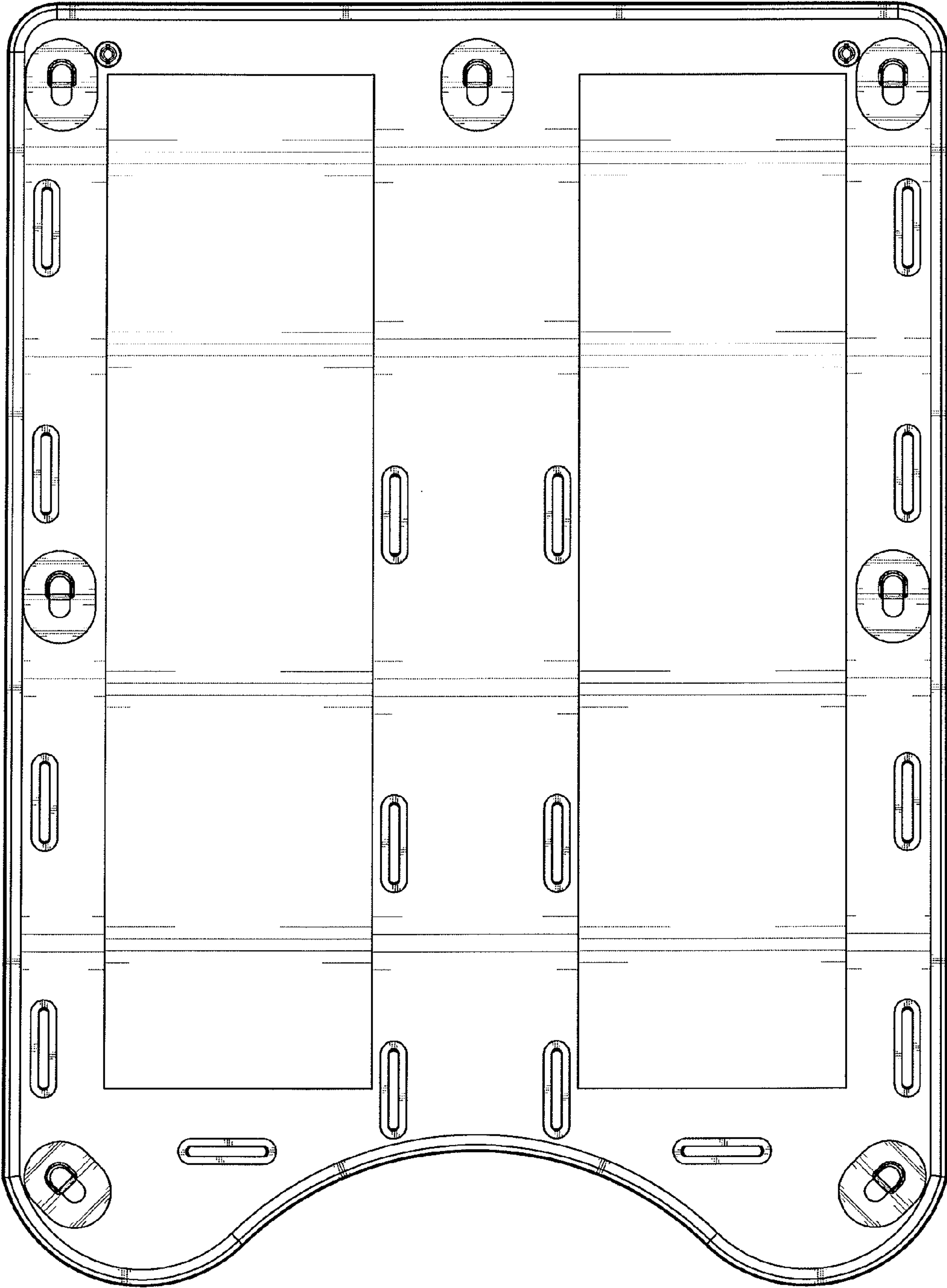


FIG. 2

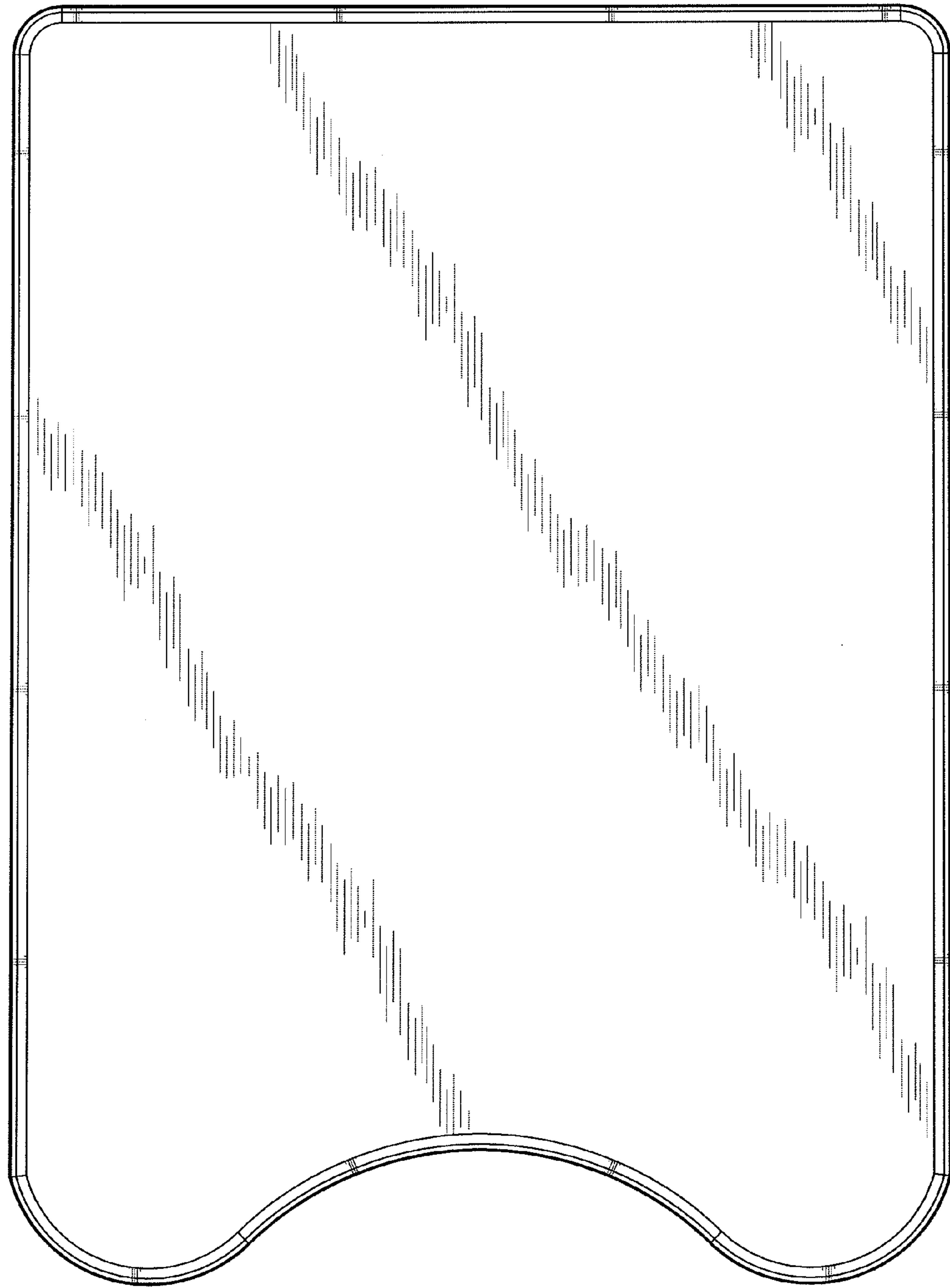


FIG. 3

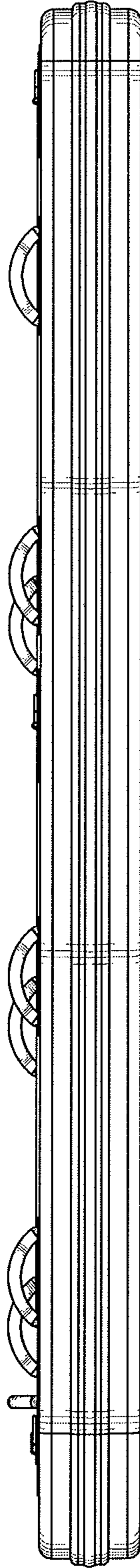


FIG. 4

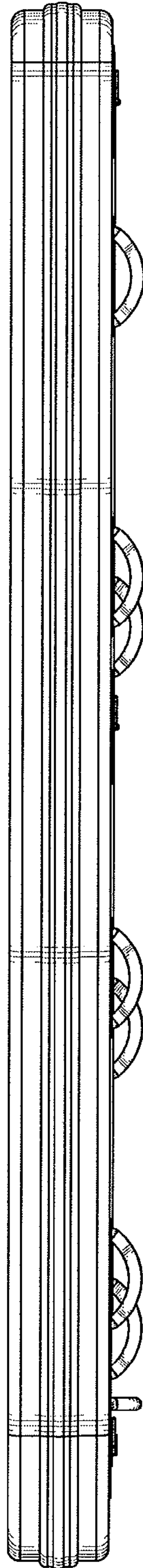


FIG. 5

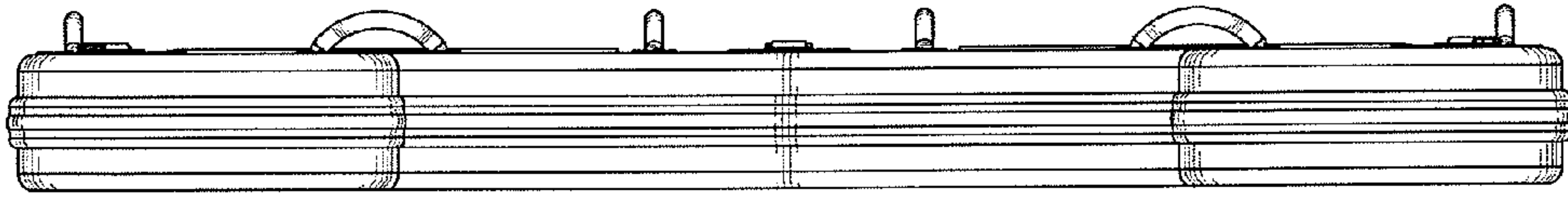


FIG. 6

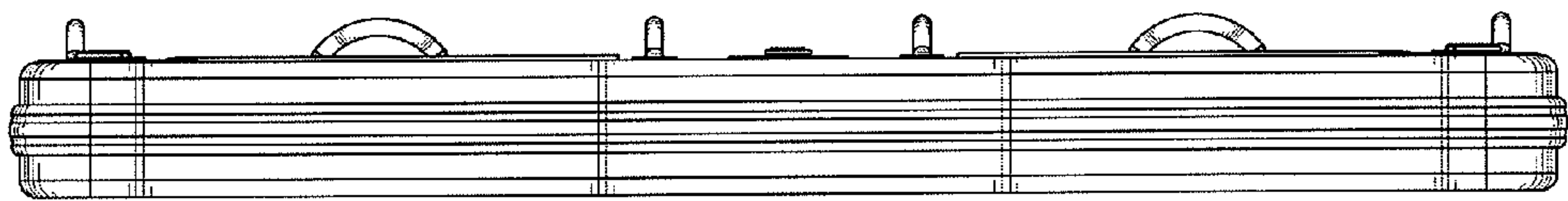


FIG. 7