

US00D706200S

(12) **United States Design Patent**
Tolentino et al.

(10) **Patent No.:** **US D706,200 S**
(45) **Date of Patent:** **** Jun. 3, 2014**

- (54) **WINDSHIELD WIPER COVER**
- (75) Inventors: **Vambi Tolentino**, Coconut Creek, FL (US); **Robert Peers**, Boca Raton, FL (US)
- (73) Assignee: **Pylon Manufacturing Corporation**, Deerfield Beach, FL (US)
- (**) Term: **14 Years**
- (21) Appl. No.: **29/375,477**
- (22) Filed: **Sep. 22, 2010**
- (51) **LOC (10) Cl.** **12-06**
- (52) **U.S. Cl.**
USPC **D12/220**
- (58) **Field of Classification Search**
USPC D12/219–220; 15/246, 247, 250.001, 15/250.4, 250.361, 250.19, 250.48, 15/250.03, 250.31–250.33, 250.351, 15/250.38, 250.201, 250.451, 250.458, 15/250.04, 250.07, 250.44
See application file for complete search history.

3,088,155 A	5/1963	Smithers
3,089,174 A	5/1963	Bignon
3,104,412 A	9/1963	Hinder
3,116,510 A	1/1964	Oishei et al.
3,132,367 A	5/1964	Wise
3,139,644 A	7/1964	Smith
3,147,507 A	9/1964	Glynn
3,192,551 A	7/1965	Appel
3,234,578 A	2/1966	Golub et al.
3,296,647 A	1/1967	Gumbleton
3,317,945 A	5/1967	Ludwig
3,317,946 A	5/1967	Anderson
3,350,738 A	11/1967	Anderson
D211,570 S	7/1968	Tomlin
3,418,679 A	12/1968	Barth et al.
3,480,986 A	12/1969	Forster
3,588,941 A	6/1971	Schlesinger
3,588,942 A	6/1971	Schlesinger
3,618,155 A	11/1971	Mower
3,665,544 A	5/1972	Sakamoto
3,673,631 A	7/1972	Yamadai et al.

(Continued)

Primary Examiner — Katrina A Betton
(74) *Attorney, Agent, or Firm* — Feldman Gale, P.A.; Gregory L. Hillyer; Javier Sobrado

(56) **References Cited**
U.S. PATENT DOCUMENTS

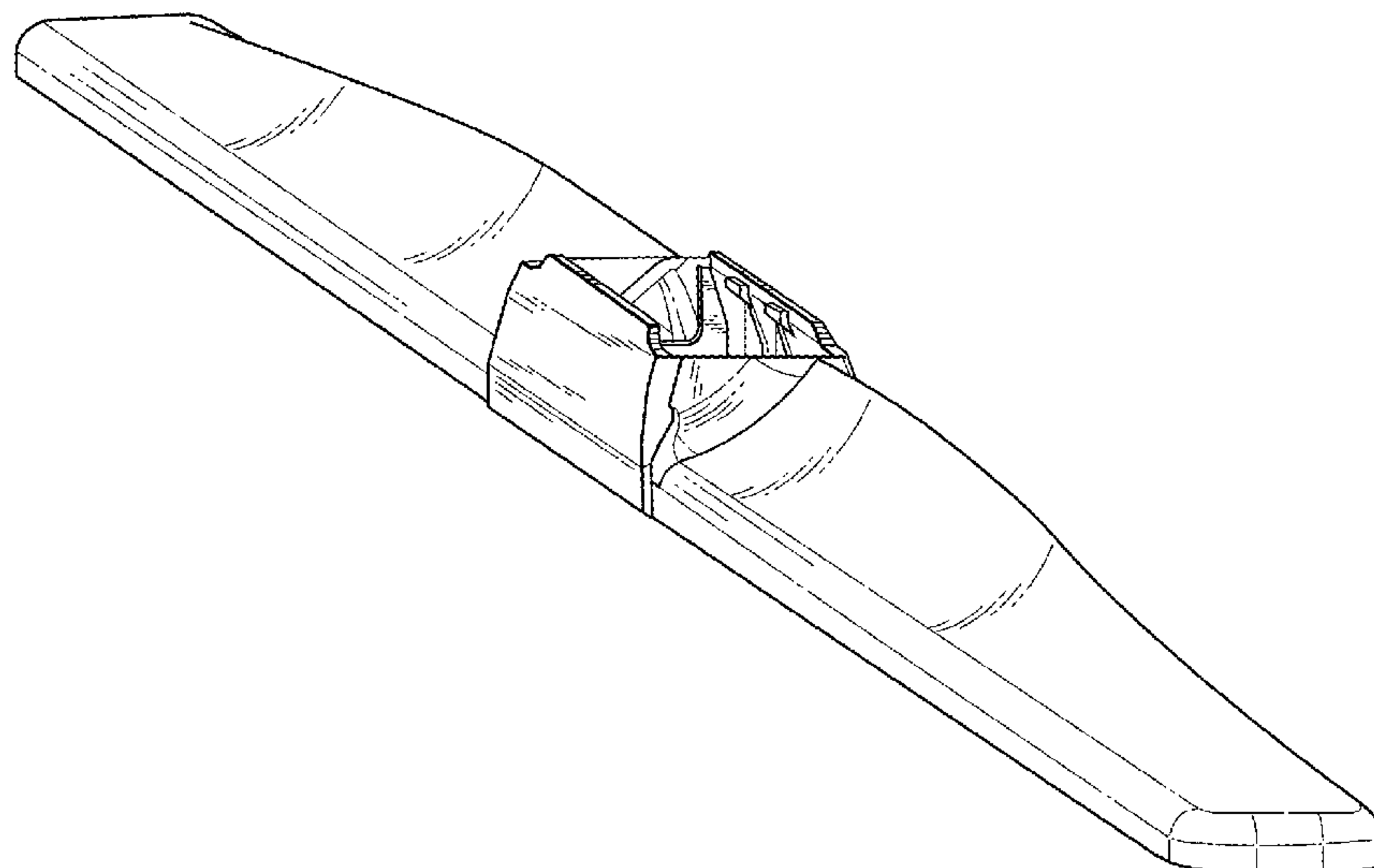
D56,762 S	12/1920	Minier
2,550,094 A	4/1951	Smulski
2,589,339 A	3/1952	Carson
2,616,112 A	11/1952	Smulski
2,643,411 A	6/1953	Nesson
2,799,887 A	7/1957	Nemic
2,801,436 A	8/1957	Scinta
2,814,820 A	12/1957	Elliot et al.
2,890,472 A	6/1959	Olson
2,932,843 A	4/1960	Zaiger et al.
2,937,393 A	5/1960	Brueder
2,946,078 A	7/1960	Deibel et al.
3,029,460 A	4/1962	Hoyler
3,037,233 A	6/1962	Peras et al.
3,056,991 A	10/1962	Smithers
3,082,464 A	3/1963	Smithers

(57) **CLAIM**
The ornamental design for a windshield wiper cover, as shown and described.

DESCRIPTION

FIG. 1 is a top perspective view of the windshield wiper cover. FIG. 2 is a front view of the windshield wiper cover. FIG. 3 is a front view of the central portion of the windshield wiper cover. FIG. 4 is a top view of the central portion of the windshield wiper cover. FIG. 5 is a perspective top view of the central portion of the windshield wiper cover; and, FIG. 6 is a perspective bottom view of the windshield wiper cover.

1 Claim, 4 Drawing Sheets



(56)

References Cited

U.S. PATENT DOCUMENTS

3,685,086 A	8/1972	Frohlich	D327,667 S	7/1992	Mar
3,751,754 A	8/1973	Quinlan et al.	D328,061 S	7/1992	Su
3,757,377 A	9/1973	Hayhurst	5,138,739 A	8/1992	Maubray
3,780,395 A	12/1973	Quinlan et al.	D329,034 S	9/1992	Charet et al.
3,857,741 A	12/1974	Hultgren et al.	D329,997 S	10/1992	Leu
3,862,465 A	1/1975	Ito	D330,181 S	10/1992	Charet et al.
3,872,537 A	3/1975	Bianchi	D330,691 S	11/1992	Leu
3,879,793 A	4/1975	Schlegel	D330,696 S	11/1992	Alain
3,881,213 A	5/1975	Tilli	D331,036 S	11/1992	Isley
3,881,214 A	5/1975	Palu	D331,037 S	11/1992	Hsi
D236,337 S	8/1975	Deibel	D331,212 S	11/1992	Poteet
3,942,212 A	3/1976	Steger et al.	D331,556 S	12/1992	Ismert
D240,809 S	8/1976	Deibel	5,168,596 A	12/1992	Maubray
3,995,347 A	12/1976	Kohler	5,170,527 A	12/1992	Lyon, II
4,007,511 A	2/1977	Deibel	D332,593 S	1/1993	Gerardiello et al.
4,028,770 A	6/1977	Appel	5,179,761 A	1/1993	Buechele et al.
4,047,480 A	9/1977	Vassiliou	5,182,831 A	2/1993	Knight
4,063,328 A	12/1977	Arman	D334,161 S	3/1993	Wu et al.
D248,388 S	7/1978	Hughes	D334,549 S	4/1993	Esquibel
4,102,003 A	7/1978	Hancu	5,206,969 A	5/1993	Patterson et al.
4,127,912 A	12/1978	Deibel et al.	D336,739 S	6/1993	Wu et al.
4,127,916 A	12/1978	Van den Berg et al.	5,218,735 A	6/1993	Maubray
D257,339 S	10/1980	Ellinwood	5,228,167 A	7/1993	Yang
4,308,635 A	1/1982	Maiocco	5,233,721 A	8/1993	Yang
4,309,790 A	1/1982	Bauer et al.	D341,561 S	11/1993	Heckman et al.
4,339,839 A	7/1982	Knights	5,257,436 A	11/1993	Yang
4,343,063 A	8/1982	Batt	D342,225 S	12/1993	Heckman et al.
D267,939 S	2/1983	Duvoux	5,276,937 A	1/1994	Lan
D267,940 S	2/1983	Duvoux	5,283,925 A	2/1994	Maubray
D268,020 S	2/1983	Duvoux	D345,329 S	3/1994	Kanellis et al.
4,400,845 A	8/1983	Noguchi et al.	D345,330 S	3/1994	Yang
4,422,207 A	12/1983	Maiocco et al.	D345,537 S	3/1994	Bianco et al.
4,438,543 A	3/1984	Noguchi et al.	D345,538 S	3/1994	Bianco et al.
4,464,808 A	8/1984	Berry	5,307,536 A	5/1994	Lescher
4,547,925 A	10/1985	Blackborow et al.	5,311,636 A	5/1994	Lee
4,561,143 A	12/1985	Beneteau	5,312,177 A	5/1994	Coulter
4,570,284 A	2/1986	Verton	D347,610 S	6/1994	Charet et al.
4,587,686 A	5/1986	Thompson	5,319,826 A	6/1994	Mower
4,590,638 A	5/1986	Beneteau	5,325,564 A	7/1994	Swanepoel
D286,499 S	11/1986	Moreno	D349,877 S	8/1994	Oyama
D287,709 S	1/1987	Mower et al.	5,333,351 A	8/1994	Sato
4,741,071 A	5/1988	Bauer et al.	D350,723 S	9/1994	Longazel
D296,317 S	6/1988	Mower et al.	5,349,716 A	9/1994	Millar
4,766,636 A	8/1988	Shinpo	D353,354 S	12/1994	Oyama
D298,116 S	10/1988	Sussich	5,383,249 A	1/1995	Yang
4,782,547 A	11/1988	Mohnach	5,392,489 A	2/1995	Mohnach
D298,926 S	12/1988	Rusnak	D357,626 S	4/1995	Snow et al.
4,807,326 A	2/1989	Arai et al.	5,408,719 A	4/1995	DeRees et al.
D301,329 S	5/1989	Cavicchioli	5,412,177 A	5/1995	Clark
4,852,206 A	8/1989	Fisher	5,454,135 A	10/1995	Okuya et al.
D304,709 S	11/1989	Sussich	5,463,790 A	11/1995	Chiou et al.
D307,408 S	4/1990	Mower et al.	D365,079 S	12/1995	Abbott et al.
D308,352 S	6/1990	Bradley	5,485,650 A	1/1996	Swanepoel
D308,660 S	6/1990	Fisher	5,487,205 A	1/1996	Scherch et al.
D308,845 S	6/1990	Charet et al.	5,509,166 A	4/1996	Wagner et al.
D310,193 S	8/1990	Charet	D370,199 S	5/1996	Kim
4,971,472 A	11/1990	Pethers	D370,653 S	6/1996	Kim
4,976,001 A	12/1990	Wright	D370,654 S	6/1996	Kim
4,984,325 A	1/1991	Arai et al.	D372,217 S	7/1996	Abbott et al.
4,989,290 A	2/1991	Hoshino	5,564,157 A	10/1996	Kushida et al.
5,042,106 A	8/1991	Maubray	5,566,419 A	10/1996	Zhou
5,056,183 A	10/1991	Haney, III	D375,289 S	11/1996	Waselewski et al.
5,062,176 A	11/1991	Unterborn et al.	5,577,292 A	11/1996	Blachetta et al.
D322,053 S	12/1991	Bradley	D376,792 S	12/1996	Chodkiewicz
D322,772 S	12/1991	Leu et al.	D377,754 S	2/1997	Abbott et al.
D322,952 S	1/1992	Wu	D379,613 S	6/1997	Chen
D323,637 S	2/1992	Dipple	D382,848 S	8/1997	Chen
D324,014 S	2/1992	Ruminer	5,661,870 A	9/1997	Eustache et al.
5,084,933 A	2/1992	Buechele	D389,449 S	1/1998	Hussaini
5,086,534 A	2/1992	Journee	D390,823 S	2/1998	Baranowski et al.
D324,359 S	3/1992	Chen	D392,612 S	3/1998	Jonasson et al.
D324,667 S	3/1992	Williams	5,732,437 A	3/1998	Jonasson et al.
5,093,954 A	3/1992	Kuzuno	D393,619 S	4/1998	Jeffer et al.
D327,461 S	6/1992	Nelson	D395,271 S	6/1998	Kim
5,123,140 A	6/1992	Raymond	D395,864 S	7/1998	Stahlhut et al.
			D395,865 S	7/1998	Powell et al.
			D396,840 S	8/1998	Vita
			D402,953 S	12/1998	Kim
			D404,354 S	1/1999	Witek et al.

(56)

References Cited

U.S. PATENT DOCUMENTS

D406,094 S	2/1999	Lai	6,632,738 B2	10/2003	Sone
D406,257 S	3/1999	Lee	6,634,056 B1	10/2003	De Block
5,875,672 A	3/1999	Fourie et al.	6,640,380 B2	11/2003	Rosenstein et al.
5,885,023 A	3/1999	Witek et al.	6,643,889 B1	11/2003	Kotlarski
D411,161 S	6/1999	Wooten	6,651,292 B2	11/2003	Komerska
D411,504 S	6/1999	Hsu	6,665,904 B1	12/2003	Kerchaert
5,907,885 A	6/1999	Tilli et al.	6,668,419 B1	12/2003	Kotlarski
5,920,947 A	7/1999	Varner	6,675,433 B1	1/2004	Stewart et al.
D414,456 S	9/1999	Hussaini et al.	6,675,434 B1	1/2004	Wilhelm et al.
5,970,569 A	10/1999	Merkel et al.	D487,047 S	2/2004	Kim
5,970,570 A	10/1999	Groninger	6,687,948 B2	2/2004	Kotlarski
D417,180 S	11/1999	Shih	6,718,594 B1	4/2004	Kotlarski
D418,103 S	12/1999	Don	D490,763 S	6/2004	Kim
D418,474 S	1/2000	Witek et al.	D494,125 S	8/2004	Leu
D419,950 S	2/2000	Spector	D494,527 S	8/2004	Hsu
6,055,697 A	5/2000	Wollenschlaeger	D494,528 S	8/2004	Chiang
6,063,216 A	5/2000	Damm et al.	6,789,289 B2	9/2004	Roodt
D427,134 S	6/2000	Lee	6,796,000 B2	9/2004	Varner
D430,097 S	8/2000	Breesch et al.	6,810,555 B2	11/2004	Ritt
6,101,665 A	8/2000	Sahara et al.	6,810,556 B1	11/2004	Kotlarski
D431,223 S	9/2000	Breesch et al.	6,813,803 B2	11/2004	Leutsch
6,119,301 A	9/2000	Nakatsukasa et al.	6,813,923 B2	11/2004	Jones et al.
D431,520 S	10/2000	Breesch et al.	6,820,302 B2	11/2004	Zimmer
D432,072 S	10/2000	Breesch et al.	6,820,303 B2	11/2004	Zimmer et al.
D434,715 S	12/2000	Wang	6,820,304 B1	11/2004	Gossez et al.
6,158,078 A	12/2000	Kotlarski	D500,728 S	1/2005	Leu
6,161,248 A	12/2000	Merkel et al.	6,836,924 B2	1/2005	Egan-Walter
6,192,546 B1	2/2001	Kotlarski	6,836,925 B1	1/2005	Swanepoel
6,202,251 B1	3/2001	Kotlarski	6,836,926 B1	1/2005	De Block
D442,537 S	5/2001	Kim	6,836,927 B2	1/2005	De Block et al.
6,226,829 B1	5/2001	Kotlarski	D501,819 S	2/2005	Hsu
D443,245 S	6/2001	Kim	6,857,160 B2	2/2005	Weiler et al.
D443,582 S	6/2001	De Block	6,859,971 B2	3/2005	Siklosi
D443,854 S	6/2001	De Block	6,874,195 B2	4/2005	Kotlarski et al.
D444,760 S	7/2001	Houssat et al.	6,883,966 B2	4/2005	Zimmer
D445,754 S	7/2001	Benoit	6,886,213 B2	5/2005	Merkel et al.
6,266,843 B1	7/2001	Doman et al.	6,904,639 B2	6/2005	Dietrich et al.
6,279,191 B1	8/2001	Kotlarski et al.	6,910,243 B1	6/2005	Zimmer
6,292,974 B1	9/2001	Merkel et al.	6,910,244 B2	6/2005	De Block et al.
6,295,690 B1	10/2001	Merkel et al.	D508,226 S	8/2005	Lin
6,301,742 B1	10/2001	Kota	D508,888 S	8/2005	Carroll
6,305,066 B1	10/2001	De Paolo et al.	6,944,905 B2	9/2005	De Block et al.
6,308,373 B1	10/2001	Merkel et al.	6,946,810 B2	9/2005	Kohlrausch
6,327,738 B1	12/2001	Lewis	6,951,043 B1	10/2005	Fehrsen
D453,316 S	2/2002	Watanabe	D511,735 S	11/2005	Aoyama et al.
6,363,569 B1	4/2002	Kotlarski	6,964,079 B2	11/2005	Zimmer
6,367,117 B1	4/2002	Sahara et al.	6,964,080 B2	11/2005	Knauf
D457,479 S	5/2002	De Block et al.	6,966,096 B2	11/2005	Baseotto et al.
6,393,654 B2	5/2002	Nacamuli	D512,362 S	12/2005	Breesch et al.
6,397,428 B2	6/2002	Kotlarski	6,973,698 B1	12/2005	Kotlarski
D462,044 S	8/2002	Gfatter et al.	6,978,512 B2	12/2005	Dietrich et al.
6,427,282 B1	8/2002	Kotlarski	7,007,339 B2	3/2006	Weiler et al.
6,434,780 B1	8/2002	Kotlarski	7,024,722 B2	4/2006	Neubauer et al.
6,449,797 B1	9/2002	De Block	7,036,181 B2	5/2006	Zimmer
6,453,505 B1	9/2002	Terai	7,055,207 B2	6/2006	Coughlin
D464,012 S	10/2002	Hussaini et al.	7,055,208 B2	6/2006	Merkel et al.
D464,600 S	10/2002	Chen	7,076,829 B2	7/2006	Ritt
6,499,181 B1	12/2002	Kotlarski	D527,336 S	8/2006	Van Baelen
D469,731 S	2/2003	Geer	7,093,317 B1	8/2006	Zimmer
6,516,491 B2	2/2003	Merkel et al.	7,134,163 B2	11/2006	Varner
6,523,218 B1	2/2003	Kotlarski	7,137,167 B2	11/2006	Torii et al.
6,530,111 B1	3/2003	Kotlarski	7,143,463 B2	12/2006	Baseotto et al.
D472,510 S	4/2003	Lin	7,150,065 B2	12/2006	Zimmer
D473,180 S	4/2003	Sun	7,150,795 B2	12/2006	Javaruski et al.
6,550,096 B1	4/2003	Stewart et al.	7,166,979 B2	1/2007	Zimmer
6,553,607 B1	4/2003	De Block	D538,218 S	3/2007	Elwell et al.
D474,143 S	5/2003	Ho	7,196,440 B2	3/2007	Lamprecht
6,564,441 B2	5/2003	Ibe et al.	7,228,588 B2	6/2007	Kraemer et al.
6,581,237 B1	6/2003	Kotlarski	D547,713 S	7/2007	Goeller
6,606,759 B1	8/2003	Hoshino	D549,152 S	8/2007	Goeller
6,609,267 B1	8/2003	Journee et al.	7,256,565 B2	8/2007	Merkel et al.
6,611,988 B1	9/2003	De Block	7,257,856 B2	8/2007	Zimmer
6,619,094 B2	9/2003	Juhl	7,272,890 B2	9/2007	Zimmer et al.
6,622,540 B2	9/2003	Jones et al.	7,281,294 B2	10/2007	Wilms et al.
6,625,842 B1	9/2003	De Block	7,293,321 B2	11/2007	Breesch
			7,299,520 B2	11/2007	Huang
			7,316,048 B2	1/2008	Yamane et al.
			7,337,900 B2	3/2008	Reiber et al.
			7,370,385 B2	5/2008	Chiang

(56)

References Cited

U.S. PATENT DOCUMENTS

D573,457 S	7/2008	Park	7,989,955 B2	8/2011	Yagi
7,398,577 B2	7/2008	Genet	7,996,953 B2	8/2011	Braun et al.
D577,324 S	9/2008	McCray	8,020,246 B2	9/2011	Bauer et al.
D579,849 S	11/2008	Garrastacho et al.	8,020,248 B2	9/2011	Hasegawa
7,451,520 B2	11/2008	Weiler et al.	8,020,249 B2	9/2011	Masuda et al.
7,464,433 B2	12/2008	Thomar et al.	8,026,645 B2	9/2011	Stubner et al.
7,472,451 B2	1/2009	Hara et al.	8,051,526 B2	11/2011	Summerville et al.
D586,716 S	2/2009	Radfar	8,060,976 B2	11/2011	Mayer et al.
7,484,264 B2	2/2009	Kraemer et al.	8,069,528 B2	12/2011	Verelst et al.
7,493,672 B2	2/2009	Op't Roodt	8,076,807 B2	12/2011	Bohn et al.
7,509,704 B2	3/2009	Bauer et al.	8,096,013 B2	1/2012	Eschenbrenner et al.
7,523,519 B2	4/2009	Egner-Walter et al.	8,099,823 B2	1/2012	Kraemer et al.
7,523,520 B2	4/2009	Breesch	8,104,134 B2	1/2012	Ritt
7,526,832 B2	5/2009	Matsumoto et al.	8,104,136 B2	1/2012	Carangelo
D593,480 S	6/2009	Kim	8,117,710 B2	2/2012	Kraus et al.
7,543,353 B2	6/2009	Ko	8,125,111 B2	2/2012	Bohn et al.
7,552,502 B2	6/2009	Kagawa et al.	8,141,198 B2	3/2012	Wilms et al.
D596,102 S *	7/2009	Kim D12/219	8,148,467 B2	4/2012	Pieters et al.
7,559,110 B1	7/2009	Kotlarski et al.	8,151,656 B2	4/2012	Nicgorski, II
D601,077 S *	9/2009	Kim D12/219	8,181,308 B2	5/2012	Kwon et al.
7,581,280 B2	9/2009	Op't Roodt et al.	8,261,403 B2	9/2012	Ehde
7,581,887 B2	9/2009	Zimmer	8,261,405 B2	9/2012	Kim et al.
7,596,479 B2	9/2009	Weiler et al.	2002/0043092 A1	4/2002	Jones et al.
7,603,741 B2	10/2009	Verelst et al.	2002/0112306 A1	8/2002	Komerska
7,603,742 B2	10/2009	Nakano et al.	2003/0014828 A1	1/2003	Edner-Walter et al.
7,607,194 B2	10/2009	Weber et al.	2003/0028990 A1	2/2003	Zimmer
7,614,499 B2	11/2009	Mueller	2003/0033683 A1	2/2003	Kotlarski
7,621,016 B2	11/2009	Verelst et al.	2003/0159229 A1	8/2003	Weiler et al.
7,628,560 B2	12/2009	Westermann et al.	2003/0209049 A1	11/2003	Jones et al.
7,636,980 B2	12/2009	Nakano	2003/0229961 A1	12/2003	Barnett
D608,717 S	1/2010	Aglassinger	2004/0010882 A1	1/2004	Breesch
D610,518 S	2/2010	Aglassinger	2004/0025280 A1	2/2004	Krickau et al.
D610,519 S	2/2010	Aglassinger	2004/0025281 A1	2/2004	Baseotto et al.
D610,520 S	2/2010	Aglassinger	2004/0098821 A1	5/2004	Kraemer et al.
7,669,276 B2	3/2010	Verelst et al.	2004/0159994 A1	8/2004	Lenzen et al.
7,687,565 B2	3/2010	Geilenkirchen	2004/0211021 A1	10/2004	Weber et al.
7,690,073 B2	4/2010	Marmoy et al.	2004/0244137 A1	12/2004	Poton
D615,918 S *	5/2010	Kim D12/219	2005/0005387 A1	1/2005	Kinoshita et al.
7,707,680 B2	5/2010	Hawighorst et al.	2005/0011033 A1	1/2005	Thomar et al.
7,716,780 B2	5/2010	Scholl et al.	2005/0039292 A1 *	2/2005	Boland 15/250.32
7,743,457 B2	6/2010	Metz	2005/0177970 A1	8/2005	Scholl et al.
7,748,076 B2	7/2010	Weiler et al.	2006/0010636 A1	1/2006	Vacher
D621,322 S	8/2010	Lee et al.	2006/0112511 A1	6/2006	Op't Roodt et al.
7,780,214 B2	8/2010	Kraus et al.	2006/0117515 A1	6/2006	Fink et al.
7,788,761 B2	9/2010	Weiler et al.	2006/0130263 A1	6/2006	Coughlin
7,793,382 B2	9/2010	Van De Rovaart	2006/0156529 A1	7/2006	Thomar et al.
7,797,787 B2	9/2010	Wilms et al.	2006/0218740 A1	10/2006	Coughlin
7,805,800 B2	10/2010	Wilms et al.	2006/0230571 A1	10/2006	Son
7,810,206 B2	10/2010	Weiler et al.	2006/0282972 A1	12/2006	Huang
7,814,611 B2	10/2010	Heinrich et al.	2007/0067941 A1	3/2007	Huang
7,823,953 B2	11/2010	Haas	2007/0186366 A1	8/2007	Alley
7,832,045 B2	11/2010	Weiler et al.	2007/0226940 A1	10/2007	Thienard
7,832,047 B2	11/2010	Herinckx et al.	2007/0226941 A1	10/2007	Kraemer et al.
7,836,542 B2	11/2010	Dietrich et al.	2008/0083082 A1	4/2008	Rovaart et al.
7,849,553 B2	12/2010	Weiler et al.	2009/0013492 A1 *	1/2009	Henin 15/250.452
7,886,401 B2	2/2011	Weber et al.	2009/0064440 A1 *	3/2009	Boland 15/250.48
7,891,043 B2	2/2011	Kraus et al.	2009/0158545 A1	6/2009	Grasso et al.
7,891,044 B2	2/2011	Fink et al.	2010/0005608 A1	1/2010	Chien
7,895,702 B2	3/2011	Tisch et al.	2010/0005609 A1	1/2010	Kim
7,895,703 B2	3/2011	Ina et al.	2010/0024151 A1	2/2010	Ku
7,898,141 B2	3/2011	Hurst et al.	2010/0083454 A1	4/2010	Op't Roodt et al.
7,899,596 B2	3/2011	Zimmer	2010/0236008 A1	9/2010	Yang et al.
7,908,703 B2	3/2011	Van Bealen	2010/0236675 A1	9/2010	Schneider
7,908,704 B2	3/2011	Kraemer	2010/0242204 A1	9/2010	Chien
7,930,796 B2	4/2011	Weiler et al.	2011/0113582 A1	5/2011	Kruse et al.
D637,132 S *	5/2011	Kim D12/219	2011/0113583 A1	5/2011	Shanmugham et al.
7,941,891 B2	5/2011	Breesch	2011/0162161 A1	7/2011	Amado
7,941,892 B2	5/2011	Kraus et al.	2011/0192511 A1	8/2011	Marrone
7,945,985 B2	5/2011	Stubner	2011/0219563 A1	9/2011	Guastella et al.
7,945,987 B2	5/2011	Verelst et al.	2011/0277266 A1	11/2011	Umeno
7,950,717 B2	5/2011	Metz	2012/0027206 A1	2/2012	Suzuki et al.
7,962,787 B2	6/2011	Camilleri et al.	2012/0047673 A1	3/2012	Depondt
7,966,689 B2	6/2011	Rovaart et al.	2012/0102669 A1	5/2012	Lee et al.
7,971,312 B2	7/2011	Crabee et al.	2012/0159733 A1	6/2012	Kwon
			2012/0180245 A1	7/2012	Ku
			2012/0180246 A1	7/2012	Ku

* cited by examiner

Figure 1

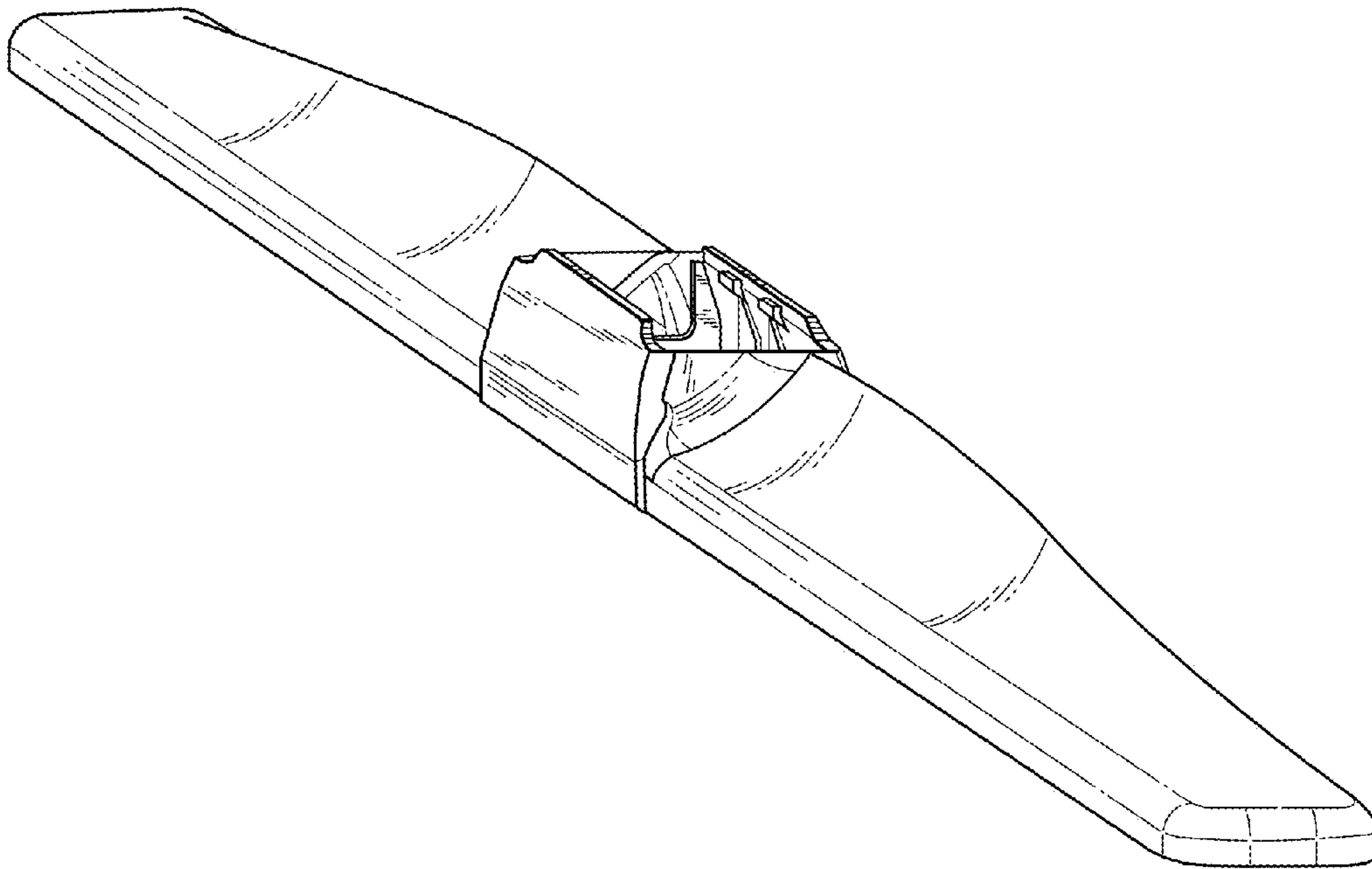


Figure 2

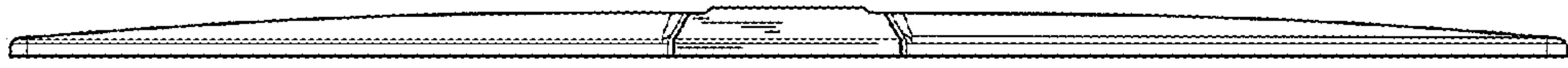


Figure 3

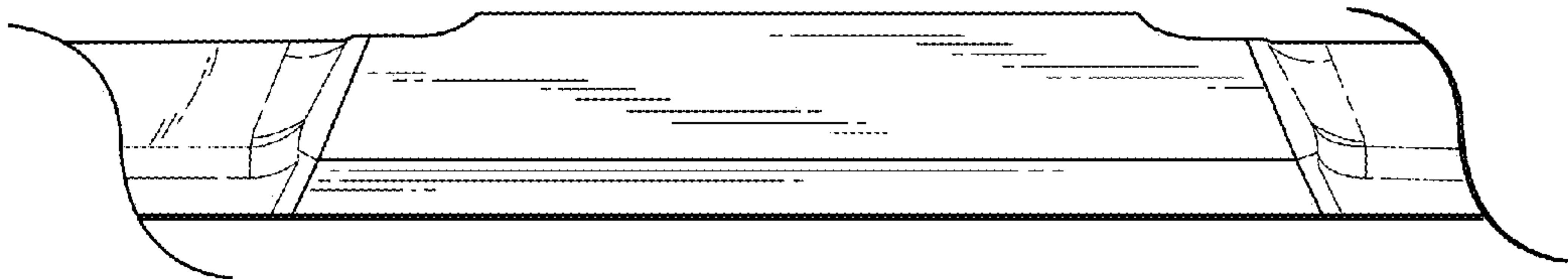


Figure 4

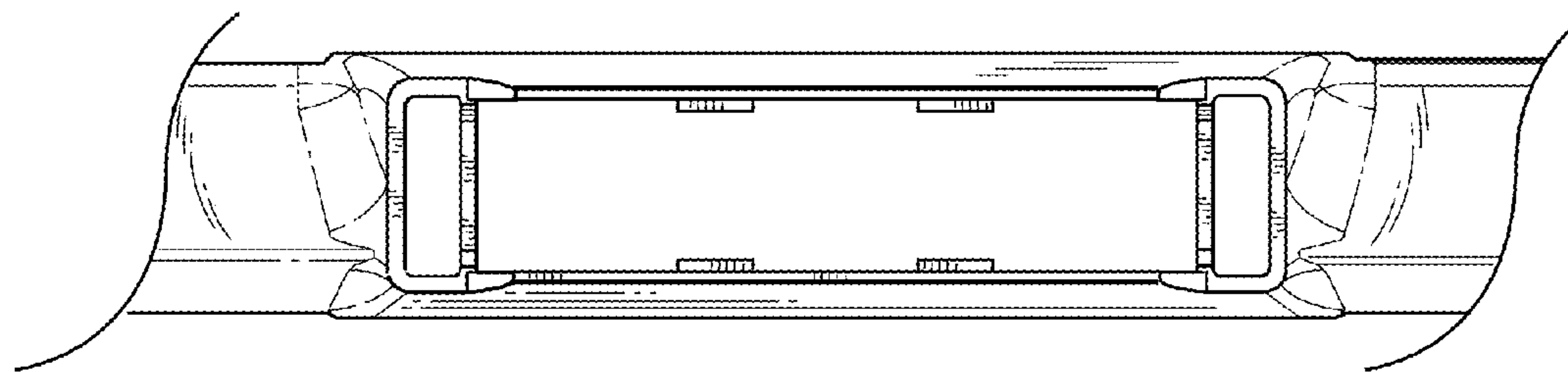


Figure 5

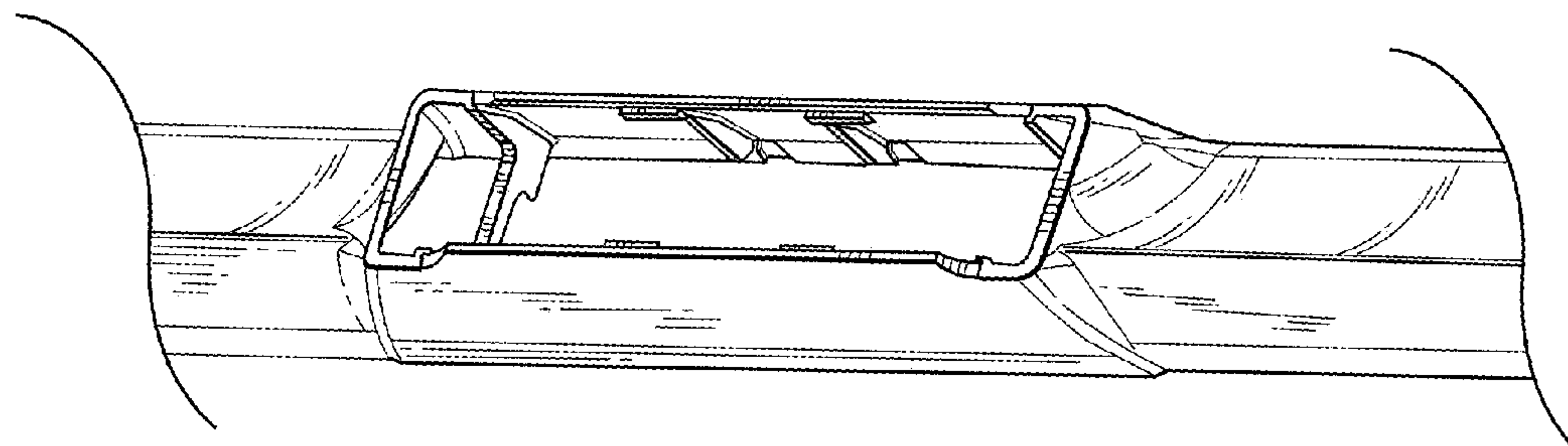


Figure 6

