



US00D706199S

(12) **United States Design Patent**
Chung

(10) **Patent No.:** **US D706,199 S**
(45) **Date of Patent:** **** Jun. 3, 2014**

(54) **AUTOMOTIVE WHEEL**

(71) Applicant: **Suny Chung**, Anaheim, CA (US)

(72) Inventor: **Suny Chung**, Anaheim, CA (US)

(**) Term: **14 Years**

(21) Appl. No.: **29/479,317**

(22) Filed: **Jan. 14, 2014**

(51) **LOC (10) Cl.** **12-16**

(52) **U.S. Cl.**
USPC **D12/211**

(58) **Field of Classification Search**
USPC D12/204-213; 301/37.101, 64.101, 65,
301/64.201
See application file for complete search history.

(56) **References Cited**

U.S. PATENT DOCUMENTS

D486,437 S *	2/2004	Hieke	D12/211
D509,175 S *	9/2005	Marji	D12/209
D544,823 S *	6/2007	Hieke	D12/211
D584,674 S *	1/2009	Chung	D12/211
D604,221 S *	11/2009	Krisch	D12/211
D616,349 S *	5/2010	Kim	D12/209
D618,150 S *	6/2010	Hilpert	D12/209
D619,073 S *	7/2010	Groom	D12/211
D628,137 S *	11/2010	Groom	D12/211

D630,567 S *	1/2011	Ettensberger	D12/211
D656,448 S *	3/2012	Zhao	D12/211
D659,071 S *	5/2012	Hale, Jr.	D12/211
D666,956 S *	9/2012	Hermann et al.	D12/211
D670,633 S *	11/2012	Kato et al.	D12/211
D676,795 S *	2/2013	Wachter	D12/211
D695,200 S *	12/2013	Zhao	D12/211
D697,860 S *	1/2014	Borkert	D12/211

* cited by examiner

Primary Examiner — Stacia Cadmus

(57) **CLAIM**

The ornamental design for an automotive wheel, as shown and described.

DESCRIPTION

FIG. 1 is a front view of an automotive wheel, showing my new design; and

FIG. 2 is a perspective view of FIG. 1

FIG. 3 is a front view of a second embodiment of an automotive wheel, showing my new design;

FIG. 4 is a perspective view of FIG. 3

FIG. 5 is a front view of a third embodiment of an automotive wheel, showing my new design; and,

FIG. 6 is a perspective view of FIG. 5.

The broken line showing of the rear portion of the wheel is included for the purpose of illustrating environment and forms no part of the claimed design.

1 Claim, 6 Drawing Sheets

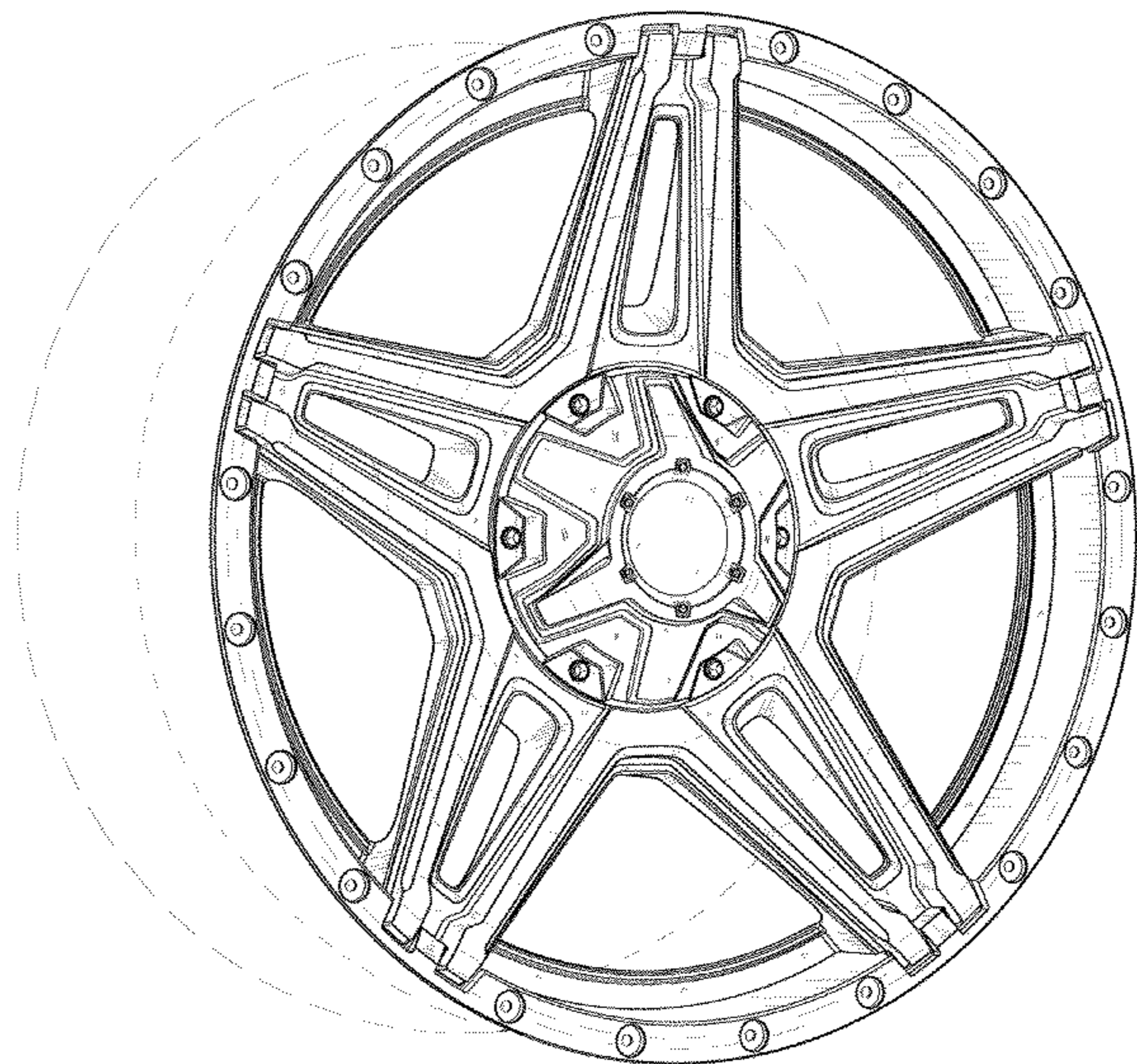
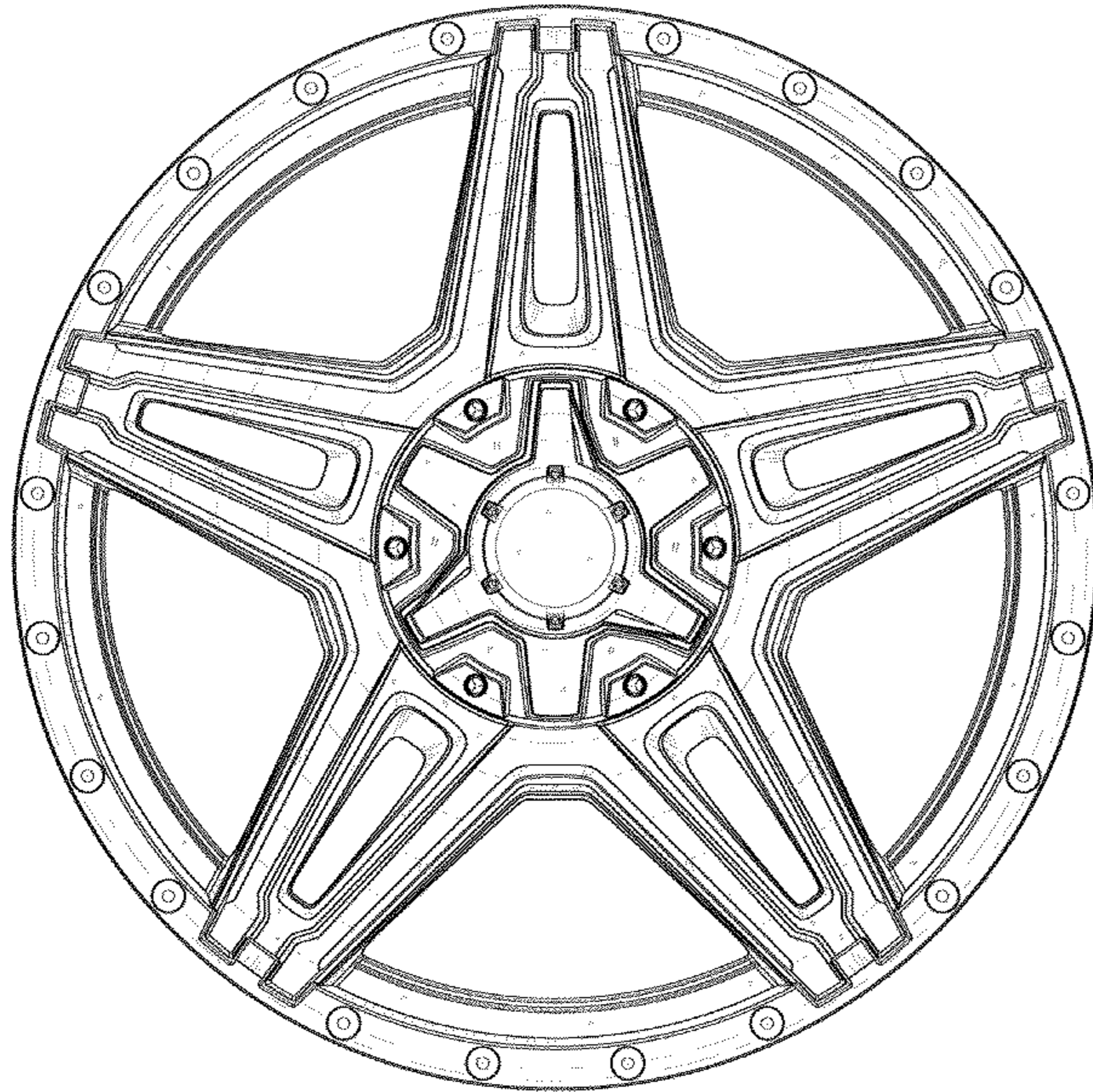


FIGURE 1

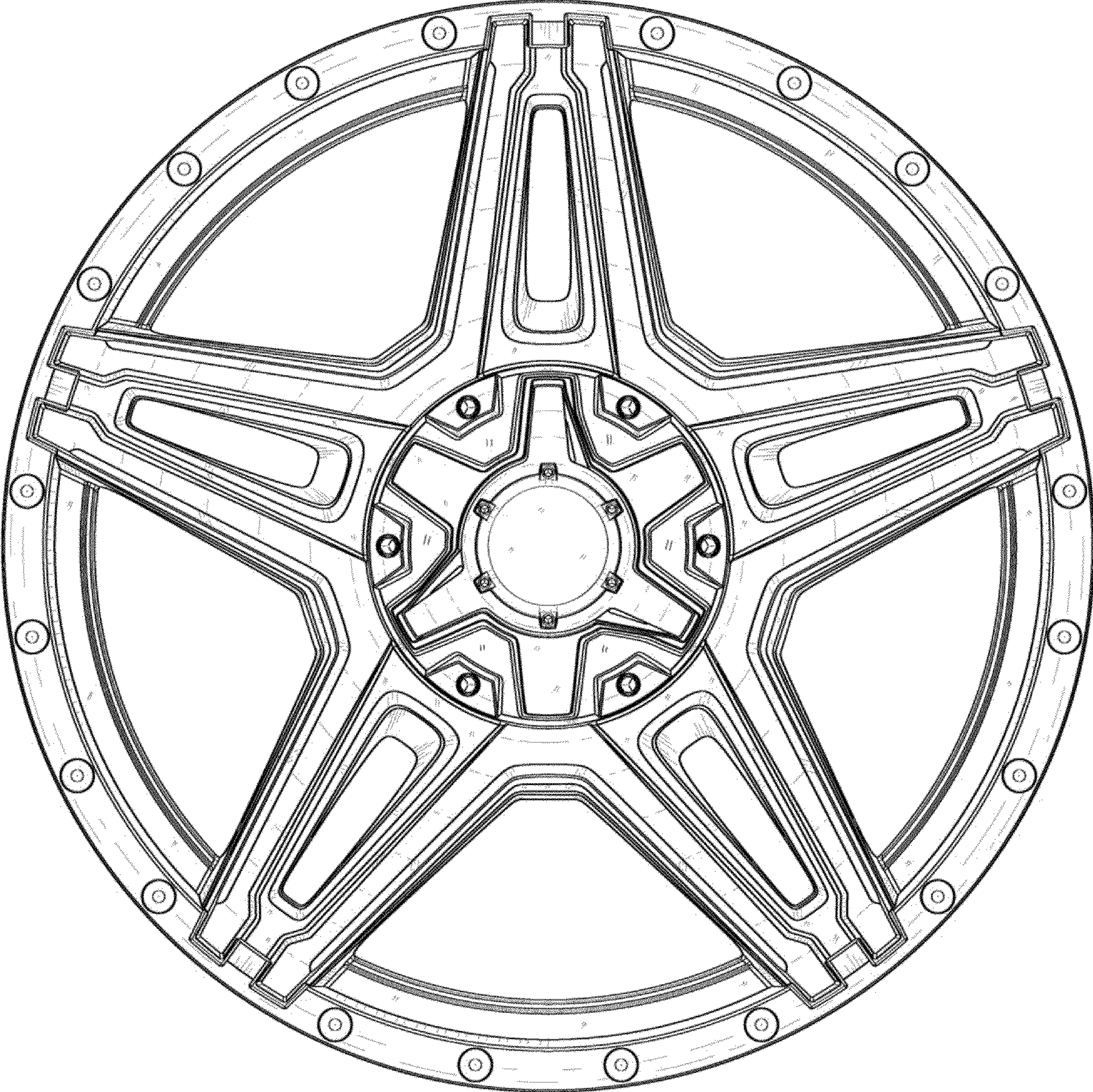


FIGURE 2

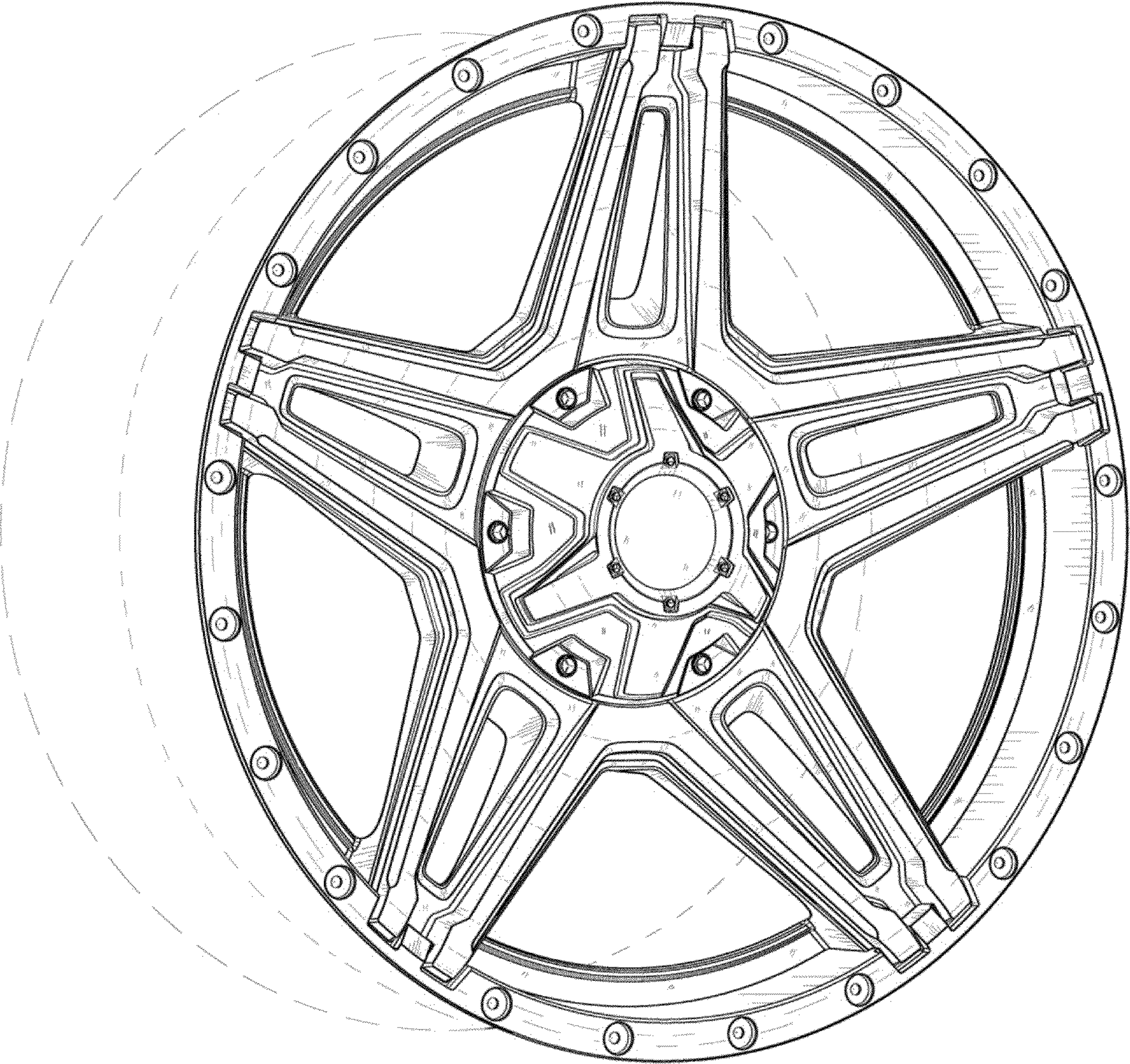


FIGURE 3

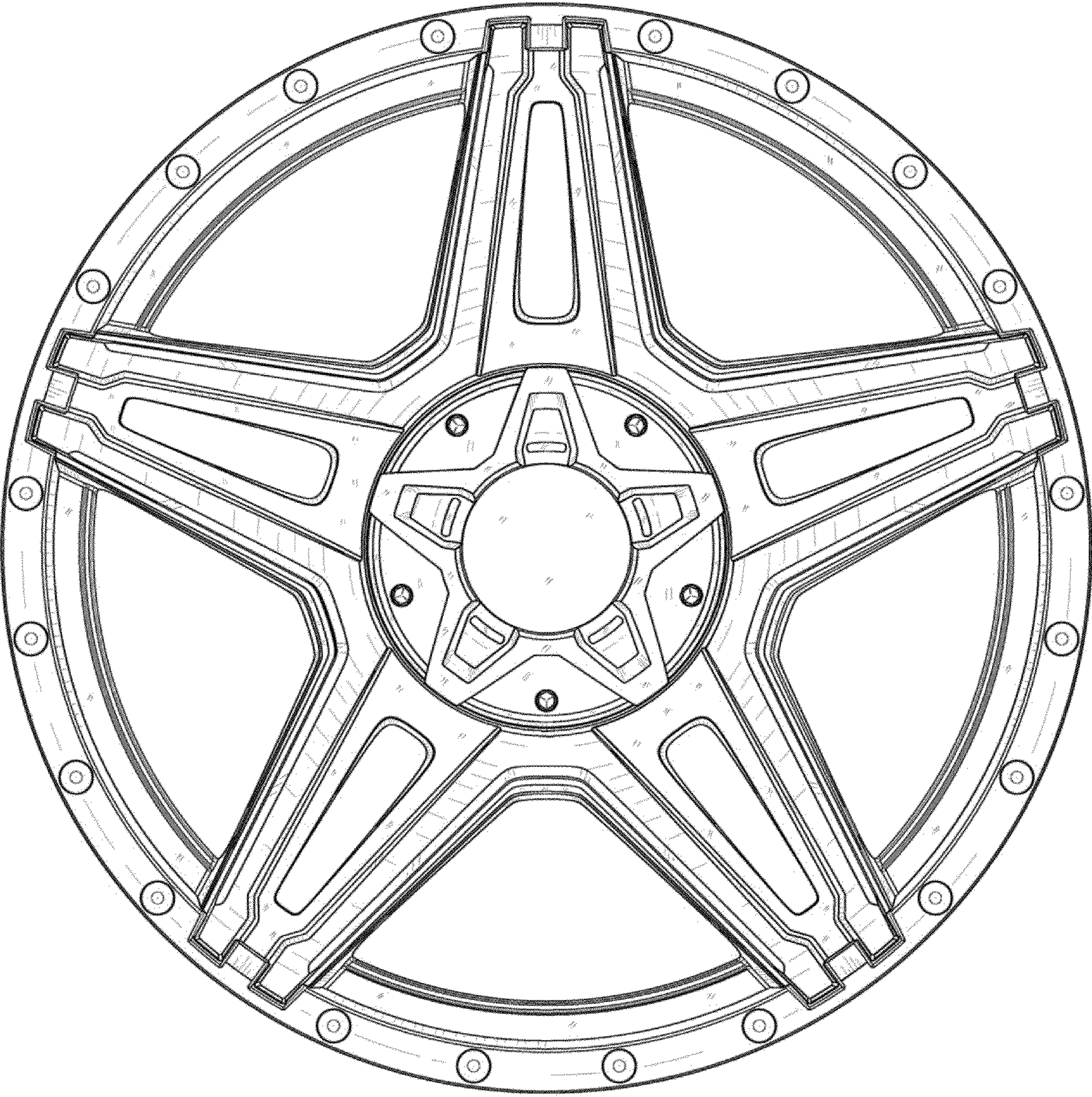


FIGURE 4

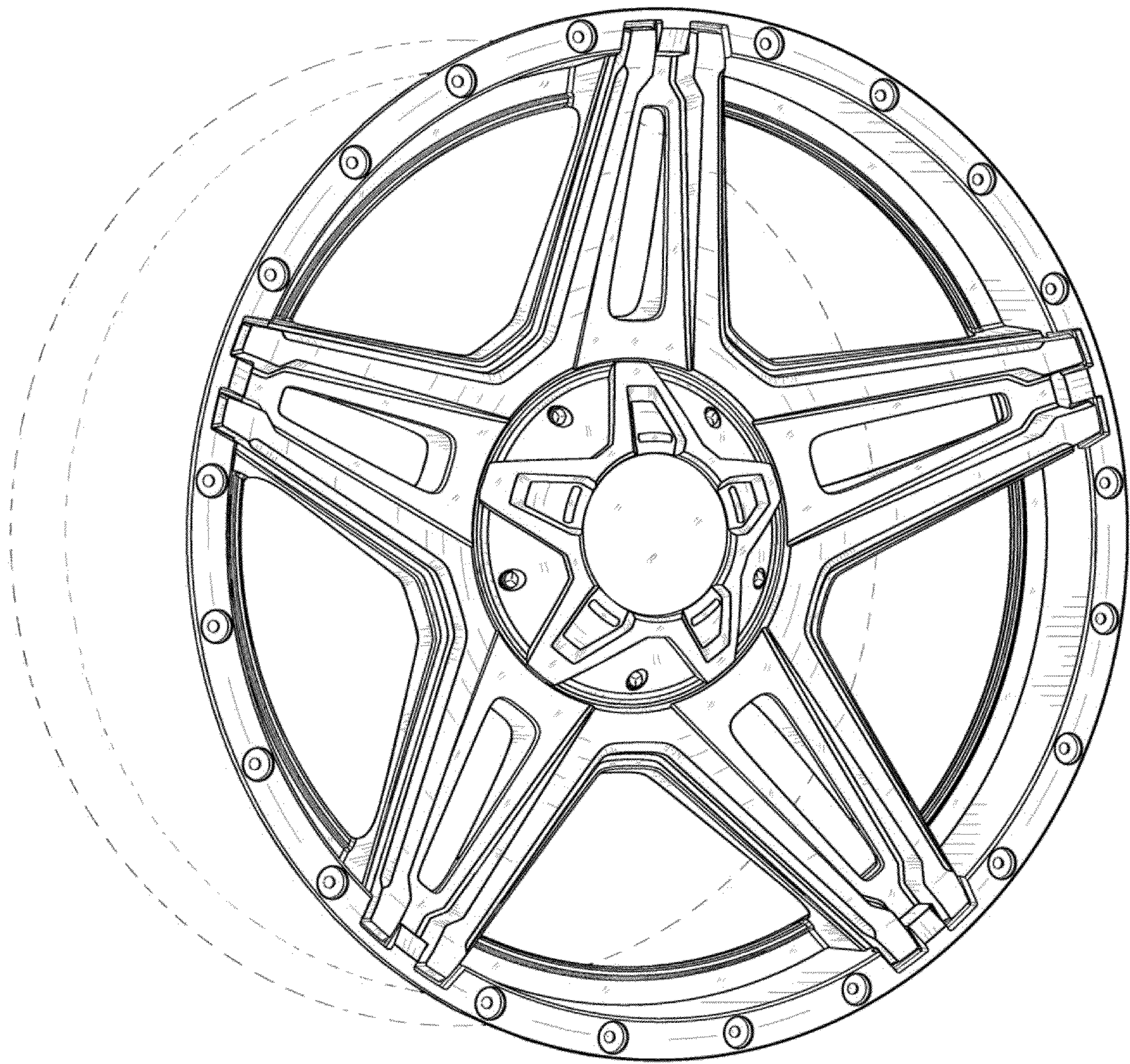


FIGURE 5

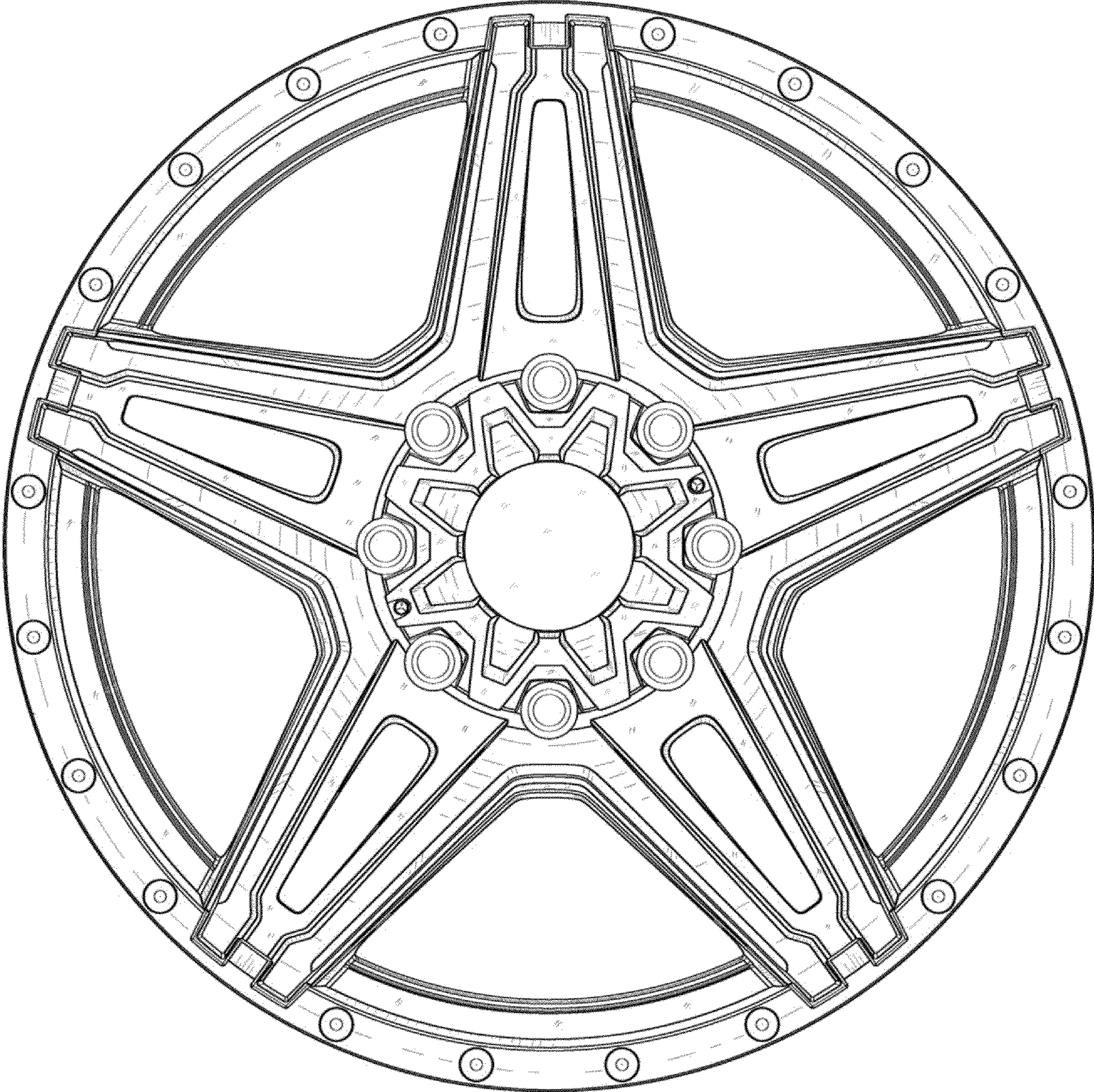


FIGURE 6

