



US00D706198S

(12) **United States Design Patent**
Chung

(10) **Patent No.:** **US D706,198 S**
(45) **Date of Patent:** **** Jun. 3, 2014**

- (54) **AUTOMOTIVE WHEEL**
- (71) Applicant: **Suny Chung**, Anaheim, CA (US)
- (72) Inventor: **Suny Chung**, Anaheim, CA (US)
- (**) Term: **14 Years**
- (21) Appl. No.: **29/479,314**
- (22) Filed: **Jan. 14, 2014**
- (51) **LOC (10) Cl.** **12-16**
- (52) **U.S. Cl.**
USPC **D12/211**
- (58) **Field of Classification Search**
USPC D12/204-213; 301/37.101, 64.101, 65,
301/64.201
See application file for complete search history.

D594,803 S *	6/2009	Pollmann	D12/211
D604,221 S *	11/2009	Krisch	D12/211
D628,135 S *	11/2010	Zhao	D12/211
D644,587 S *	9/2011	Gotschke	D12/209
D666,960 S *	9/2012	Chung	D12/211
D670,223 S *	11/2012	Chung	D12/209
D673,102 S *	12/2012	Behmer et al.	D12/211
D680,488 S *	4/2013	Campbell et al.	D12/211
D686,959 S *	7/2013	Hale	D12/209
D695,200 S *	12/2013	Zhao	D12/211

* cited by examiner

Primary Examiner — Stacia Cadmus

(57) **CLAIM**
The ornamental design for an automotive wheel, as shown and described.

DESCRIPTION

FIG. 1 is a front view of an automotive wheel, showing my new design; and,
FIG. 2 is a perspective view thereof.
The broken line showing of the rear portion of the wheel is included for the purpose of illustrating environment and forms no part of the claimed design.

1 Claim, 2 Drawing Sheets

- (56) **References Cited**
U.S. PATENT DOCUMENTS
D576,537 S * 9/2008 Chung D12/211
D582,335 S * 12/2008 Rak D12/211
D589,427 S * 3/2009 Scheu D12/211

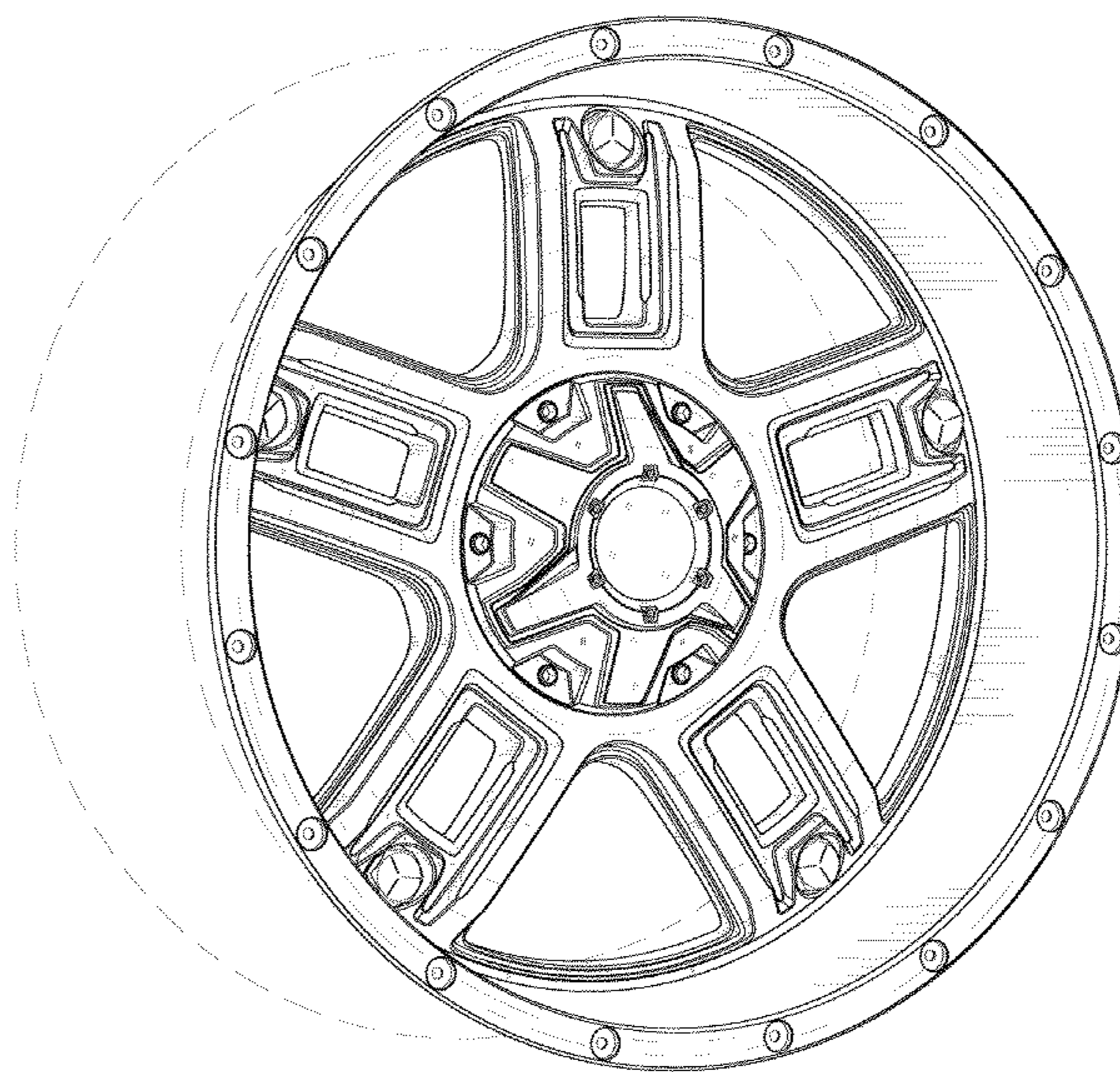
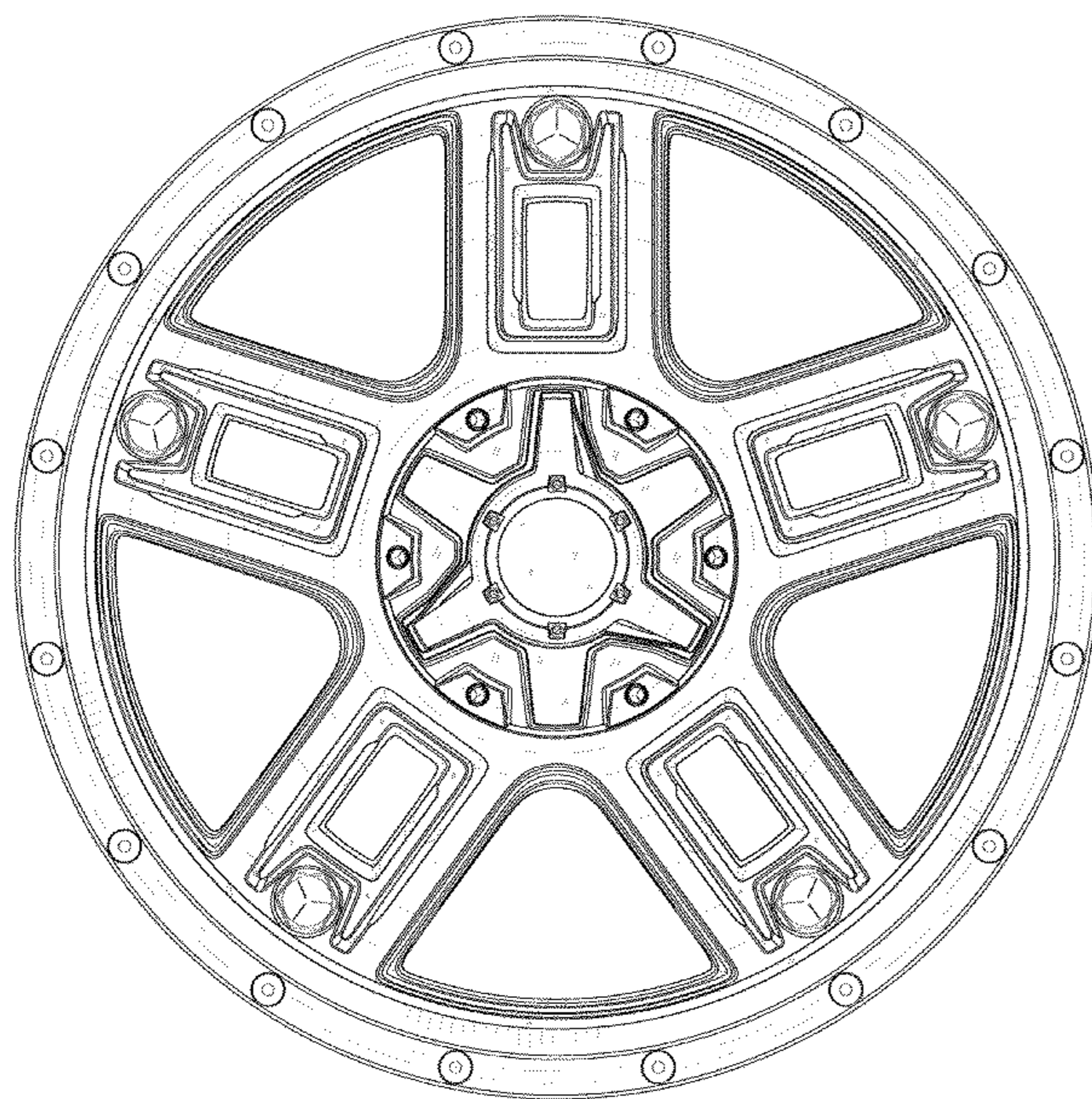


FIGURE 1

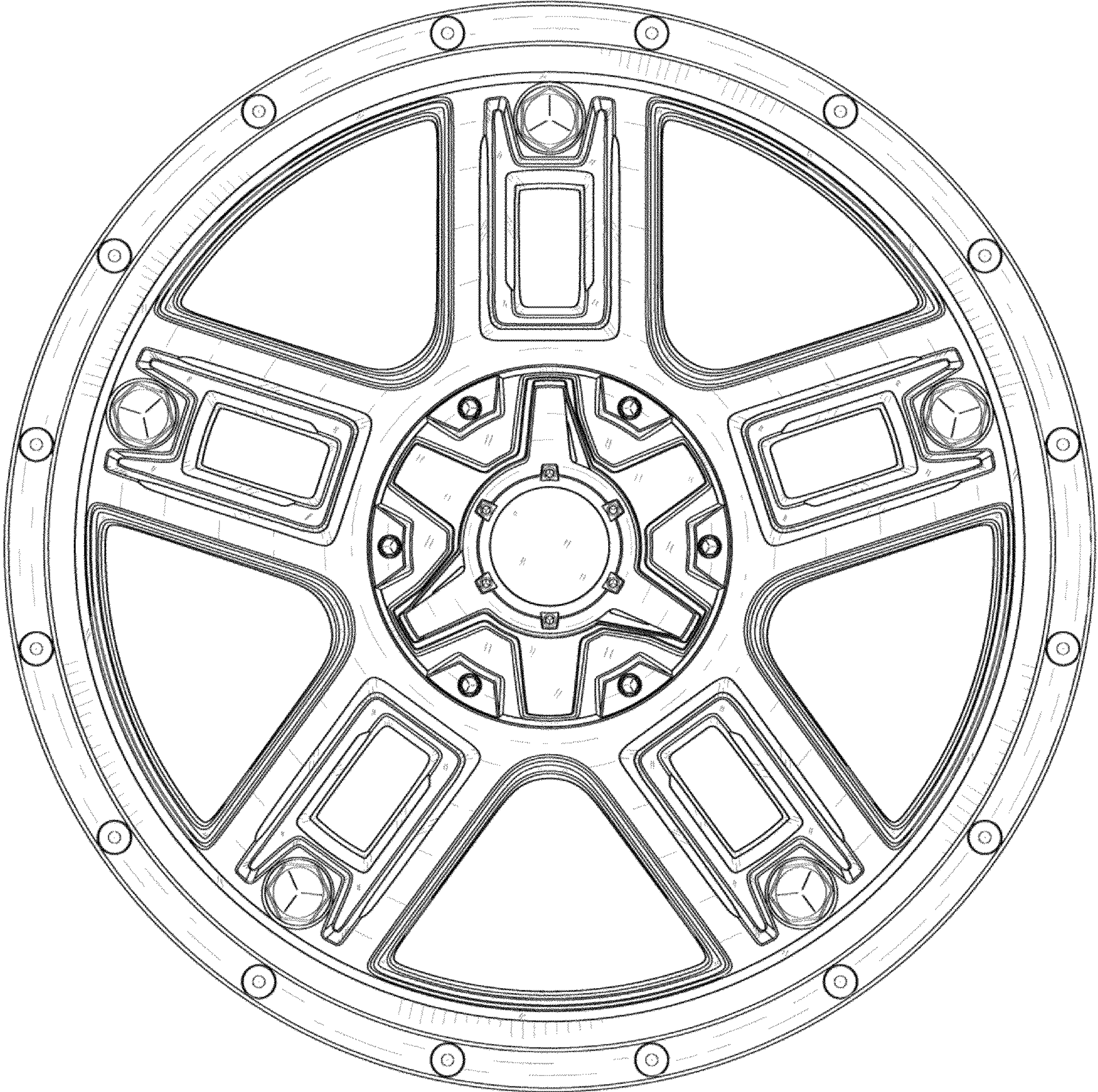


FIGURE 2

