



US00D706197S

(12) **United States Design Patent**
Chung

(10) **Patent No.:** **US D706,197 S**

(45) **Date of Patent:** **** Jun. 3, 2014**

(54) **AUTOMOTIVE WHEEL**

(71) Applicant: **Suny Chung**, Anaheim, CA (US)

(72) Inventor: **Suny Chung**, Anaheim, CA (US)

(**) Term: **14 Years**

(21) Appl. No.: **29/479,261**

(22) Filed: **Jan. 14, 2014**

(51) **LOC (10) Cl.** **12-16**

(52) **U.S. Cl.**
USPC **D12/211**

(58) **Field of Classification Search**
USPC D12/204-213; 301/37.101, 64.101, 65,
301/64.201

See application file for complete search history.

(56) **References Cited**

U.S. PATENT DOCUMENTS

D514,050 S *	1/2006	Scheu	D12/211
D551,148 S *	9/2007	Musser	D12/211
D604,685 S *	11/2009	Zhou et al.	D12/211

D614,112 S *	4/2010	Tant et al.	D12/211
D621,771 S *	8/2010	Truebsbach	D12/211
D641,678 S *	7/2011	Elmitt	D12/209
D644,158 S *	8/2011	Nissl	D12/211
D660,771 S *	5/2012	Mueller-Stolz	D12/211
D683,689 S *	6/2013	Fahr-Becker	D12/211
D694,166 S *	11/2013	Tirado	D12/211
D698,720 S *	2/2014	Farh-Becker	D12/211

* cited by examiner

Primary Examiner — Stacia Cadmus

(57) **CLAIM**

The ornamental design for an automotive wheel, as shown and described.

DESCRIPTION

FIG. 1 is a perspective view of an automotive wheel, showing my new design; and,

FIG. 2 is a front view thereof.

The broken line showing of the rear portion of the wheel is included for the purpose of illustrating environment and forms no part of the claimed design.

1 Claim, 2 Drawing Sheets

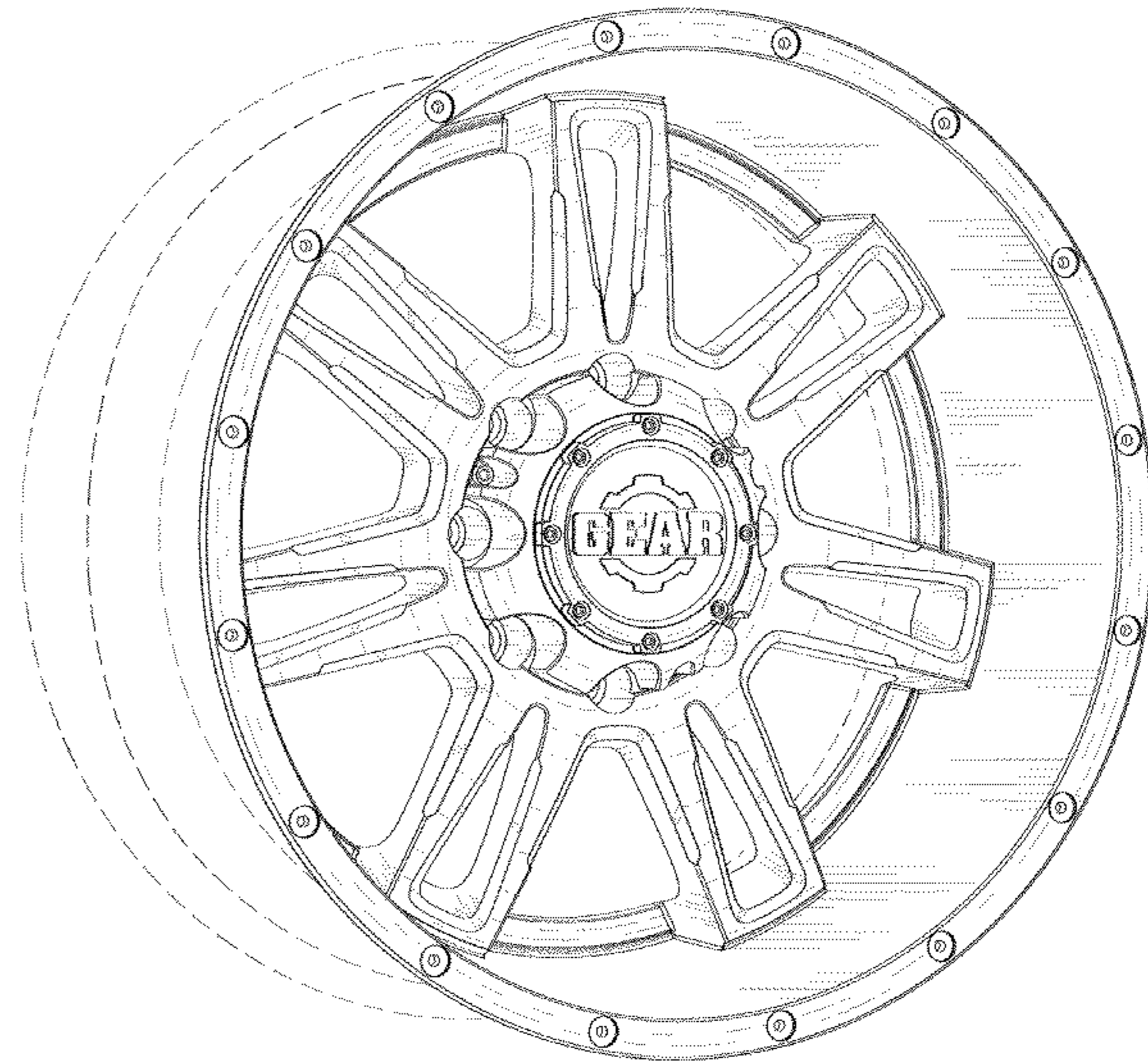
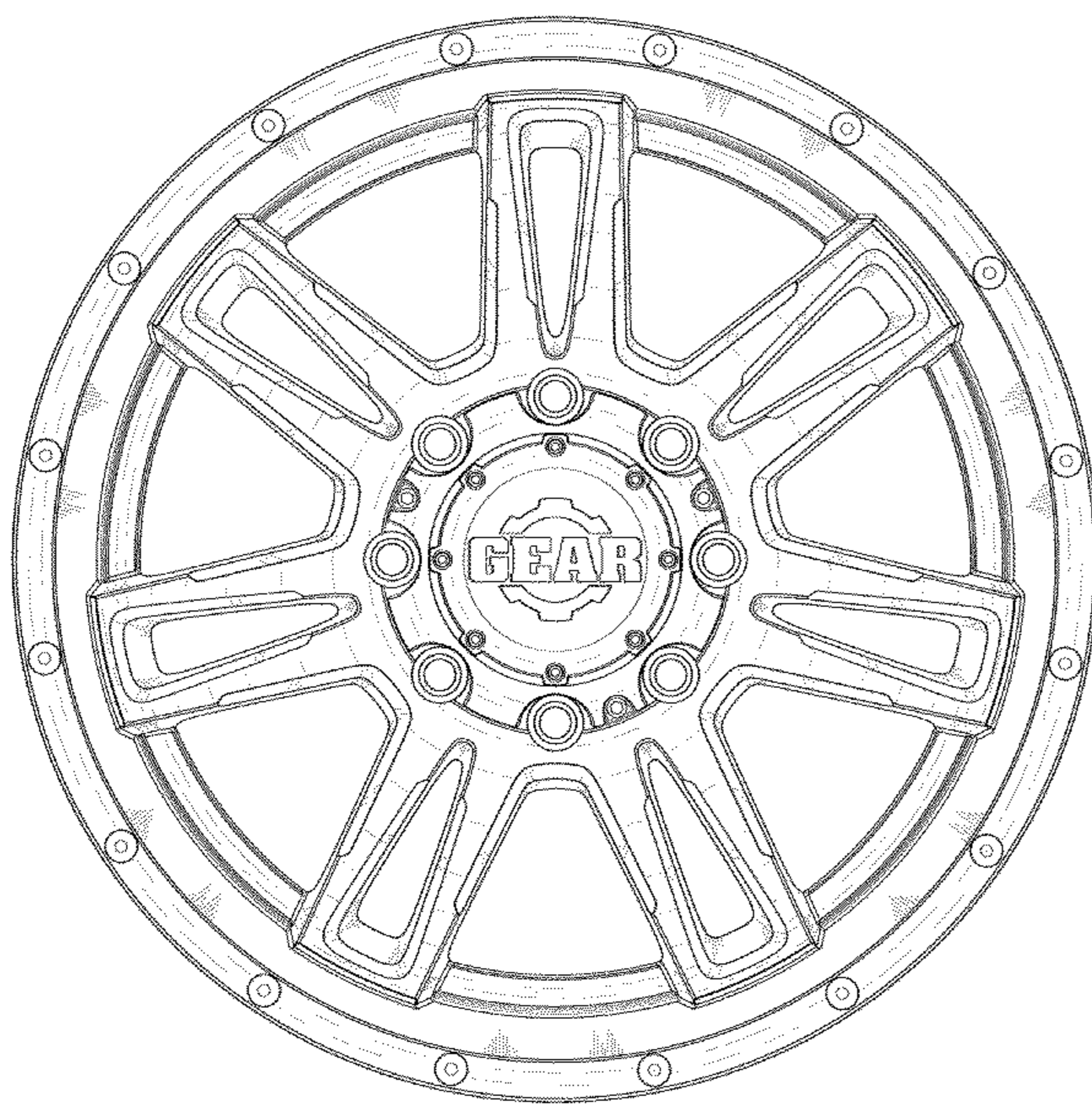


FIGURE 1

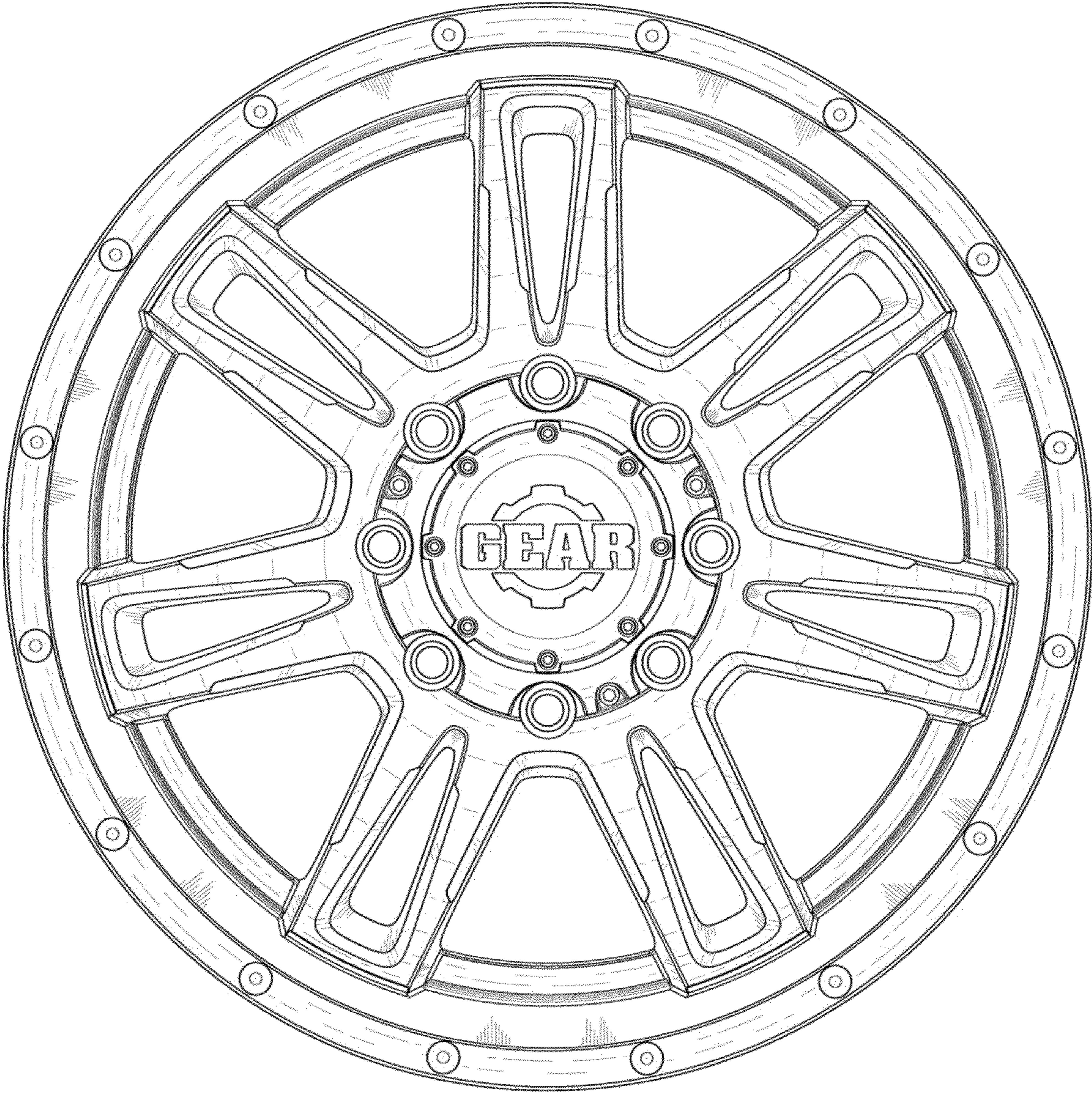


FIGURE 2

