

US00D706195S

(12) **United States Design Patent**
Lee

(10) **Patent No.:** **US D706,195 S**
(45) **Date of Patent:** **** Jun. 3, 2014**

- (54) **AUTOMOTIVE WHEEL**
- (71) Applicant: **Kevin Lee**, Yorba Linda, CA (US)
- (72) Inventor: **Kevin Lee**, Yorba Linda, CA (US)
- (73) Assignee: **Kevin Lee**, Yorba Linda, CA (US)
- (**) Term: **14 Years**
- (21) Appl. No.: **29/467,765**
- (22) Filed: **Sep. 23, 2013**
- (51) **LOC (10) Cl.** **12-16**
- (52) **U.S. Cl.**
USPC **D12/211**
- (58) **Field of Classification Search**
USPC D12/204-213; 301/37.101, 64.101, 65,
301/64.201
See application file for complete search history.

- (56) **References Cited**
U.S. PATENT DOCUMENTS
D451,877 S * 12/2001 Lee D12/211
D460,942 S * 7/2002 Lee D12/211

| | | | | |
|--------------|---------|--------------|-------|---------|
| D470,094 S * | 2/2003 | van Hooydonk | | D12/211 |
| D487,717 S * | 3/2004 | Lenz | | D12/211 |
| D516,988 S * | 3/2006 | Laengerer | | D12/211 |
| D517,970 S * | 3/2006 | Pollmann | | D12/209 |
| D528,495 S * | 9/2006 | Truebsbach | | D12/211 |
| D614,112 S * | 4/2010 | Tant et al. | | D12/211 |
| D684,914 S * | 6/2013 | Gotschke | | D12/209 |
| D691,543 S * | 10/2013 | Gordon | | D12/209 |
| D694,166 S * | 11/2013 | Tirado | | D12/211 |
| D695,672 S * | 12/2013 | Cortes | | D12/211 |
| D698,720 S * | 2/2014 | Farh-Becker | | D12/211 |

* cited by examiner

Primary Examiner — Stacia Cadmus
(74) *Attorney, Agent, or Firm* — MKW Alloy Inc; Kevin Lee

(57) **CLAIM**
The ornamental design for an automotive wheel, as shown and described.

DESCRIPTION

FIG. 1 is a front elevation view of the automotive wheel of the instant invention; and,
FIG. 2 is an perspective view of the automotive wheel of the instant invention.

1 Claim, 2 Drawing Sheets

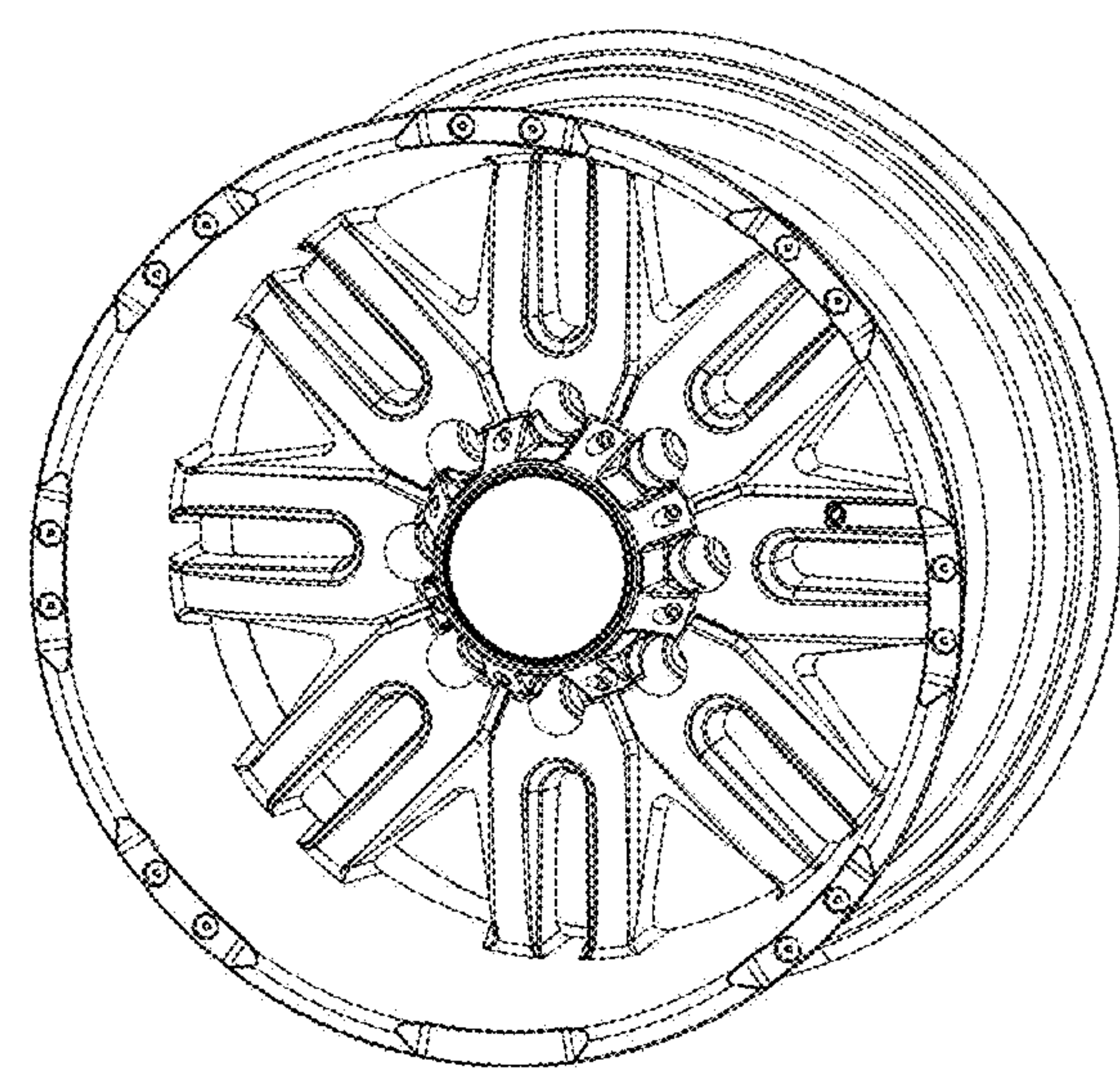
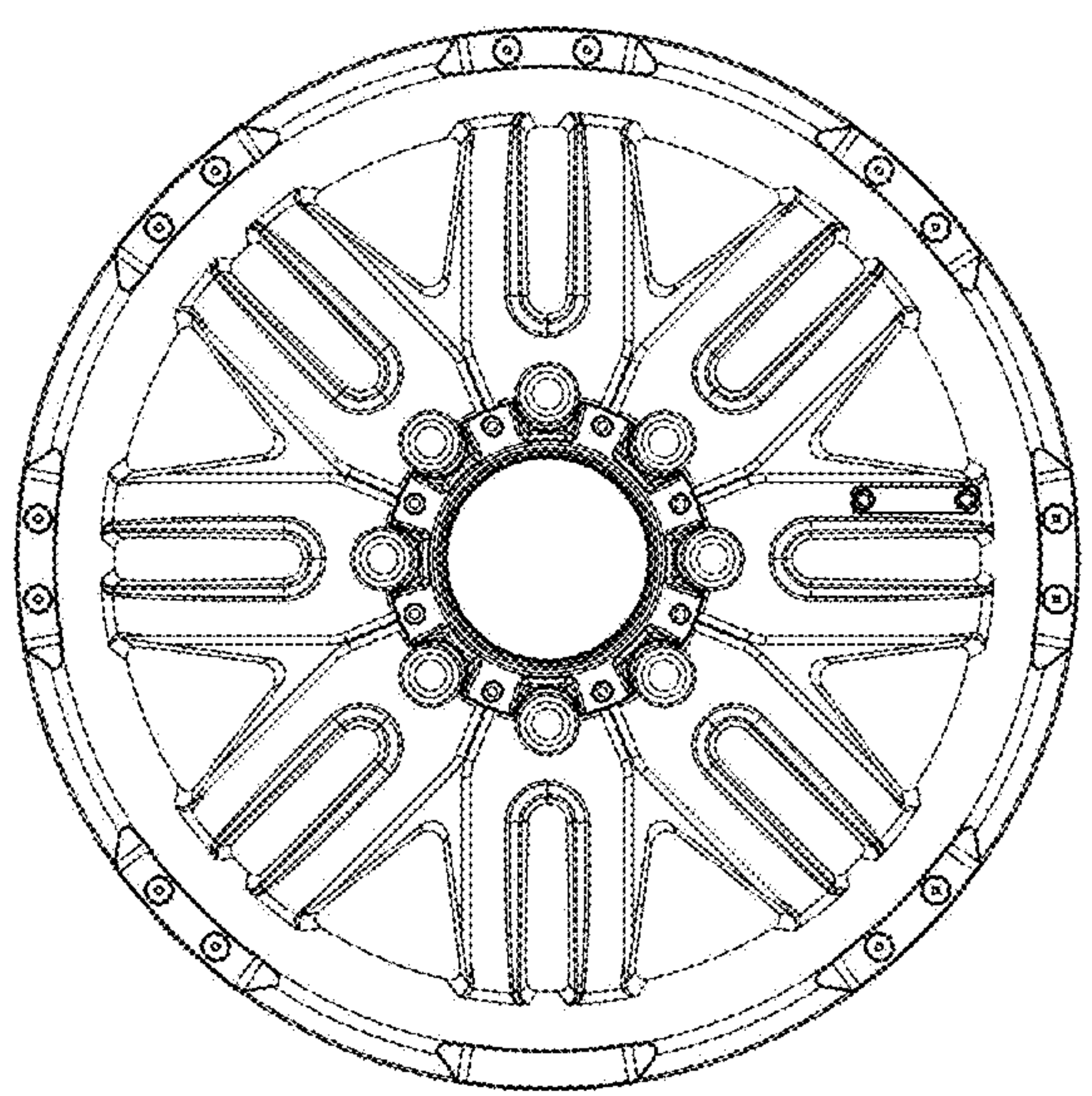


FIGURE 1

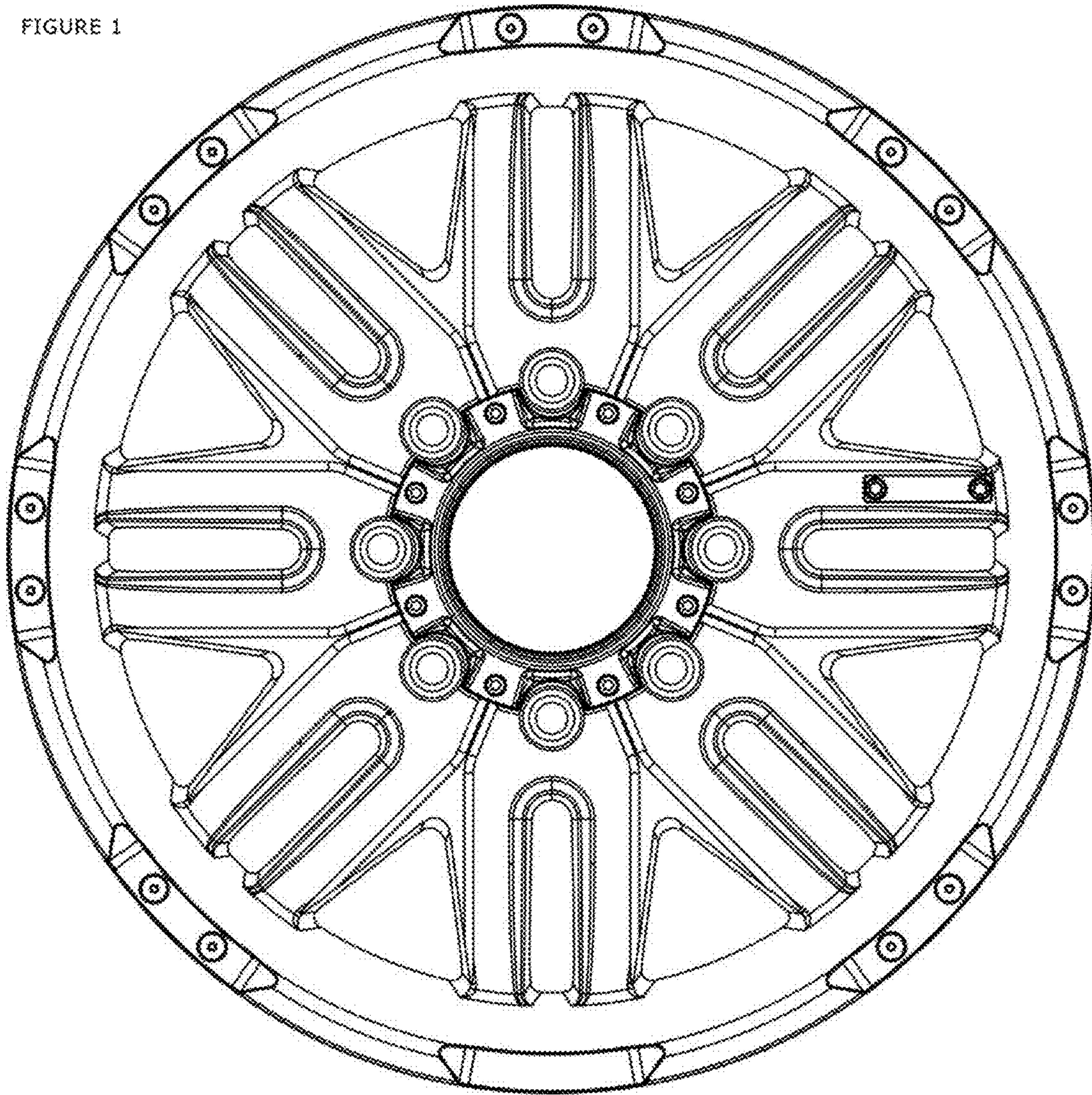


FIGURE 2

