



US00D706194S

(12) **United States Design Patent**
Hanaoka

(10) **Patent No.:** **US D706,194 S**
(45) **Date of Patent:** **** Jun. 3, 2014**

(54) **WHEEL FOR AN AUTOMOBILE**
(71) Applicant: **Honda Motor Co., Ltd.**, Tokyo (JP)
(72) Inventor: **Hisakazu Hanaoka**, Saitama (JP)
(73) Assignee: **Honda Motor Co., Ltd.**, Tokyo (JP)
(**) Term: **14 Years**

(21) Appl. No.: **29/475,042**
(22) Filed: **Nov. 27, 2013**

(30) **Foreign Application Priority Data**
May 31, 2013 (JP) 2013-012170
(51) **LOC (10) Cl.** **12-16**
(52) **U.S. Cl.**
USPC **D12/209**
(58) **Field of Classification Search**
USPC D12/204-213; 301/37.101, 64.101, 65,
301/64.201
See application file for complete search history.

(56) **References Cited**
U.S. PATENT DOCUMENTS
D501,441 S * 2/2005 Rosenbohm D12/211
D581,852 S * 12/2008 Scheu D12/211
D594,804 S * 6/2009 Laengerer D12/211

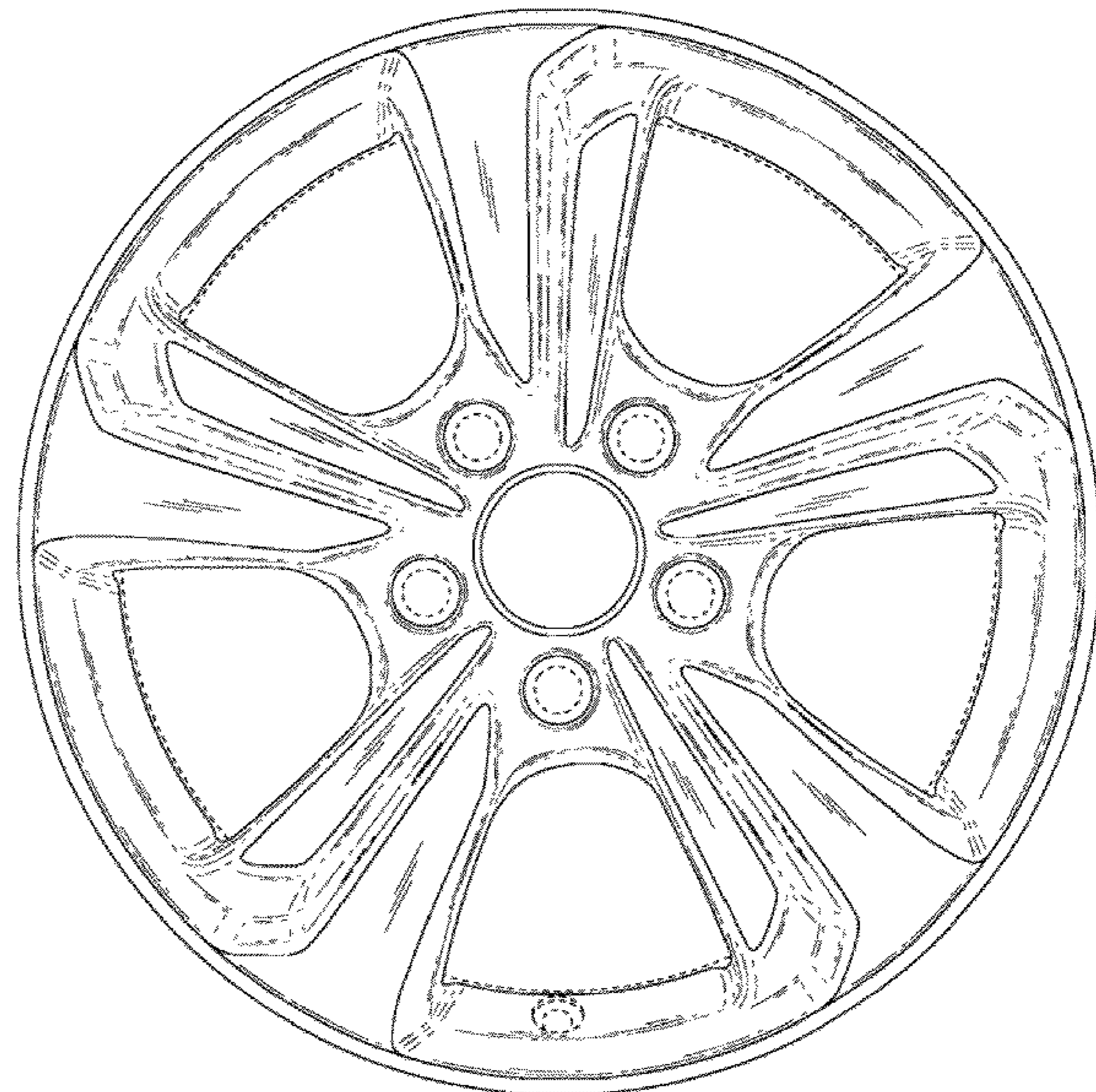
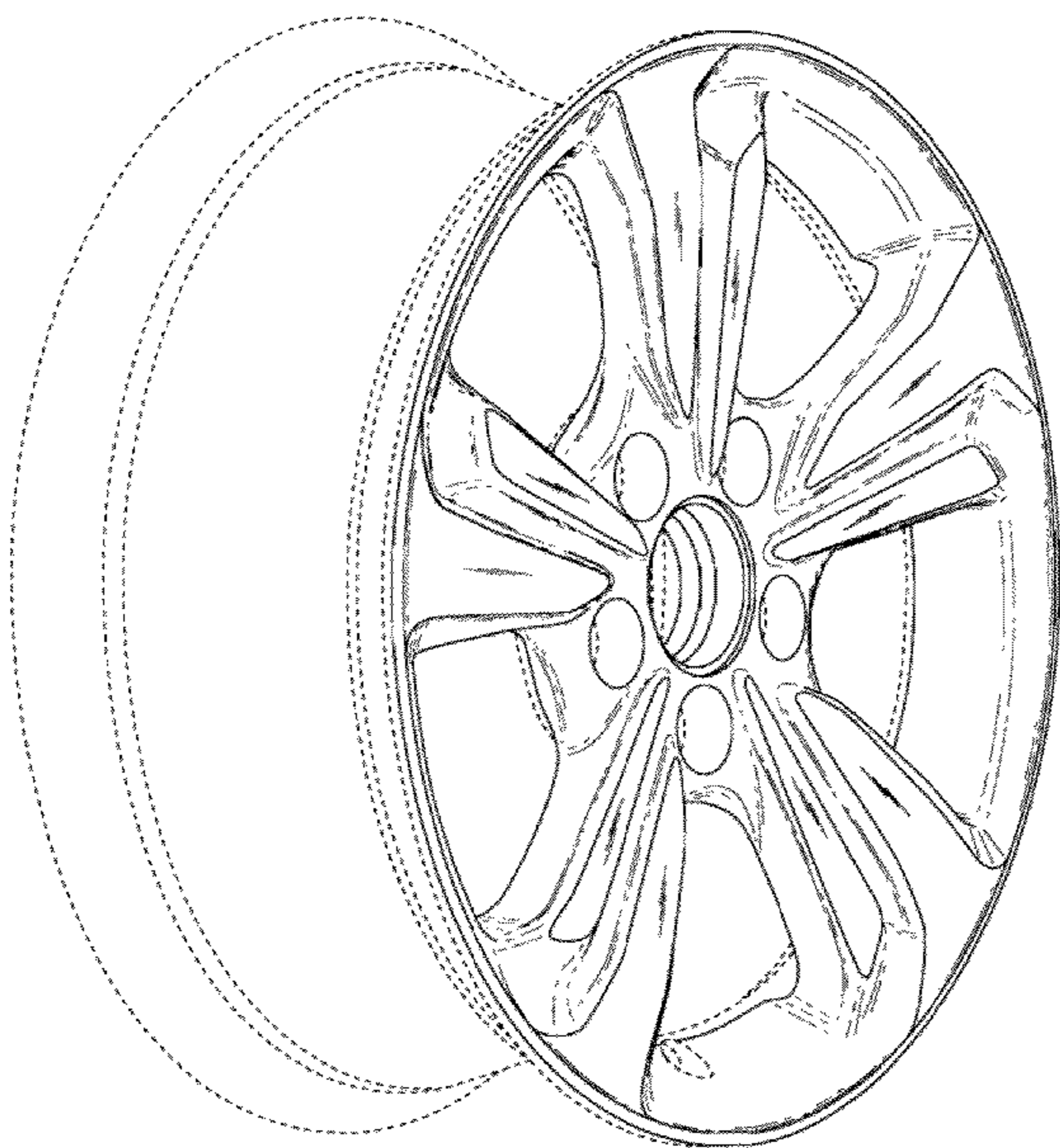
D614,114 S * 4/2010 Kim D12/211
D644,589 S * 9/2011 Fisker et al. D12/211
D648,255 S * 11/2011 Scheinhutte D12/209
D654,842 S * 2/2012 Blasi D12/209
D663,248 S * 7/2012 Kogawa D12/209
D671,478 S * 11/2012 Baum et al. D12/209
D671,876 S * 12/2012 Roura D12/209
D676,794 S * 2/2013 Hilpert D12/209
D685,710 S * 7/2013 Hanaoka D12/209
D689,808 S * 9/2013 Buck D12/209
D695,191 S * 12/2013 Kogawa D12/209

* cited by examiner
Primary Examiner — Stacia Cadmus
(74) *Attorney, Agent, or Firm* — Westerman, Hattori,
Daniels & Adrian, LLP

(57) **CLAIM**
The ornamental design for a wheel for an automobile, as
shown and described.

DESCRIPTION
FIG. 1 is a front perspective view of a wheel for an automobile
showing my new design;
FIG. 2 is an enlarged front perspective view of a portion
thereof; and,
FIG. 3 is a front elevational view thereof.
The broken lines illustrate environmental structure only and
form no part of the claimed design.

1 Claim, 3 Drawing Sheets



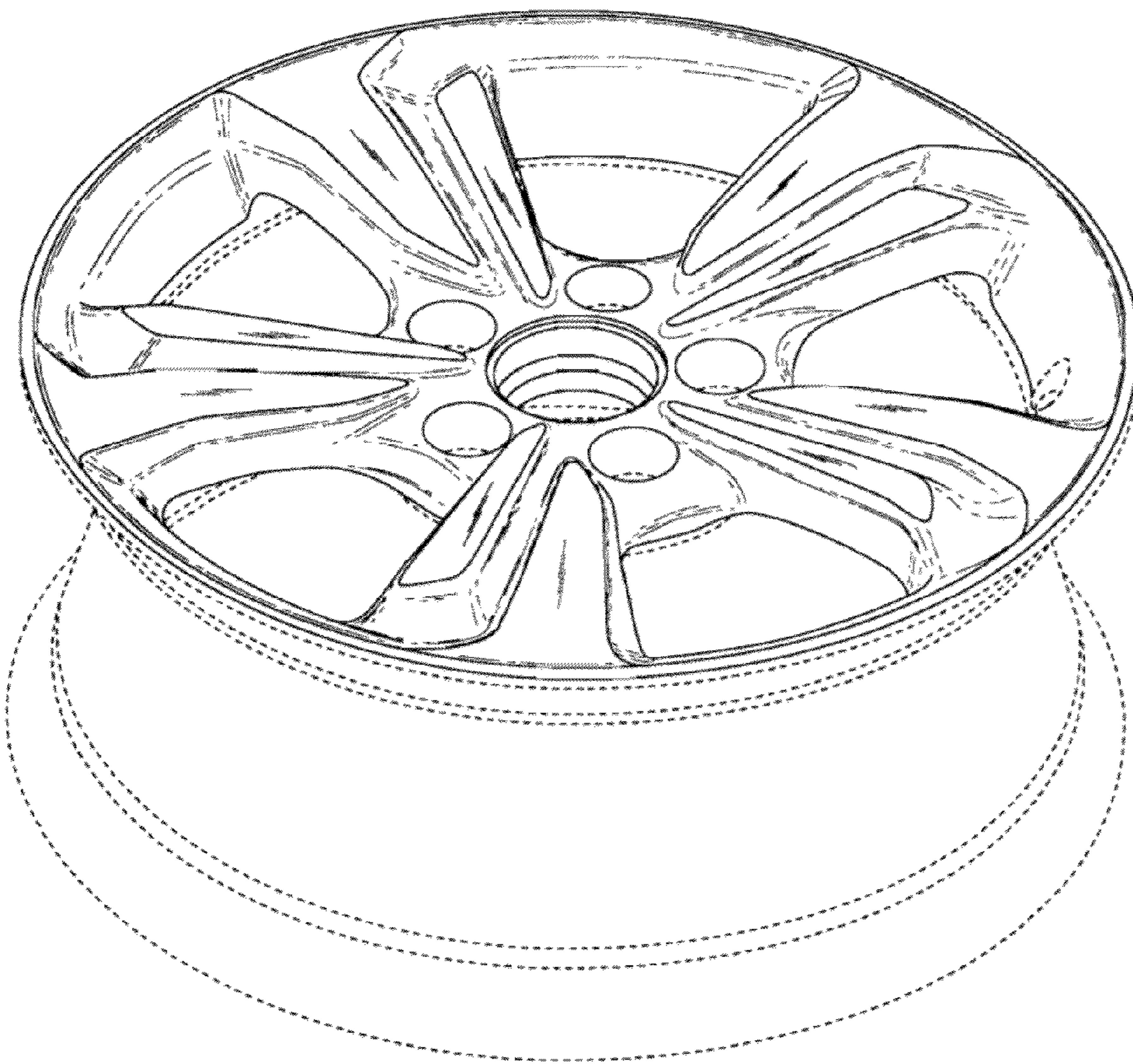


FIG. 1

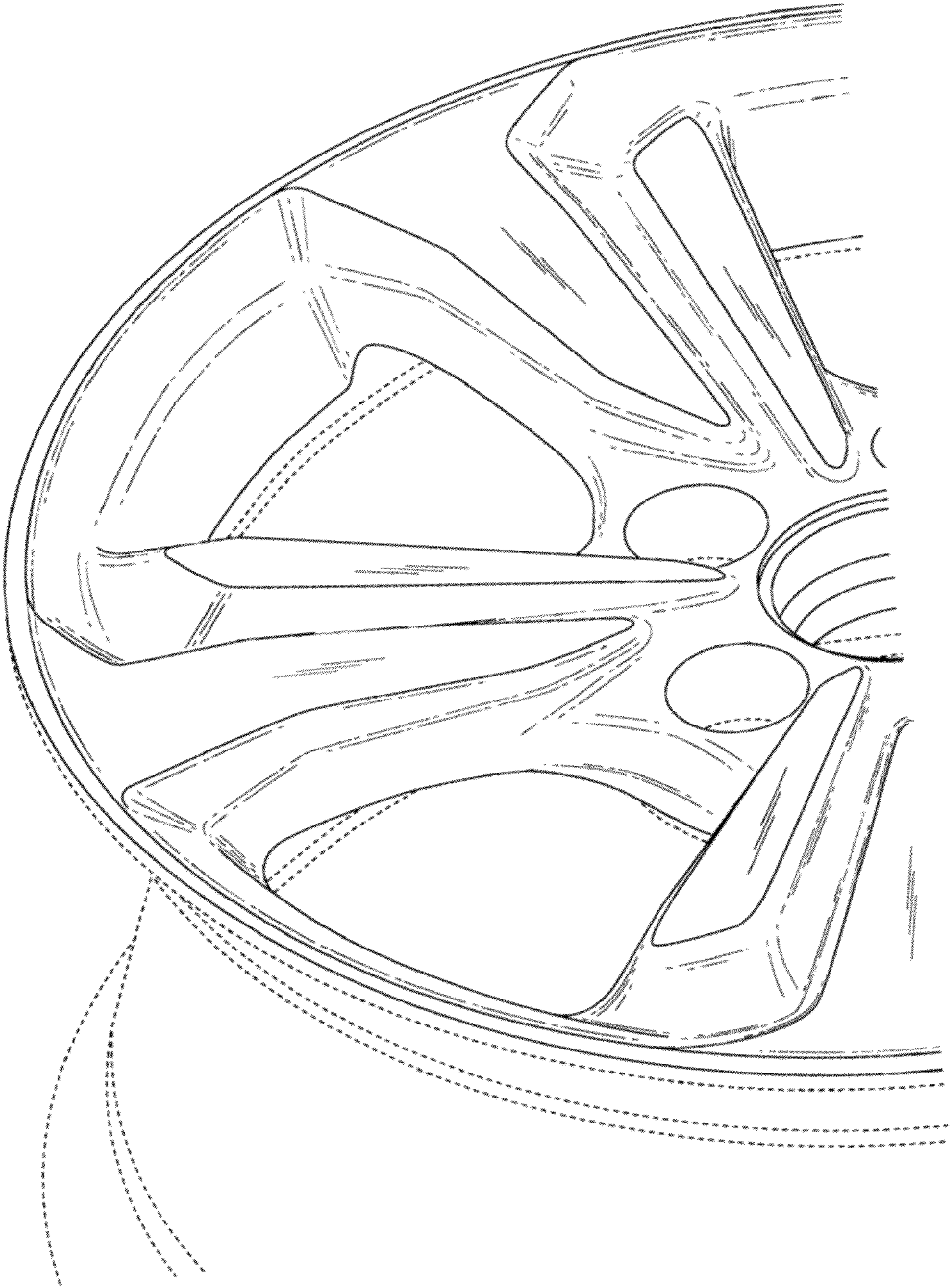


FIG.2

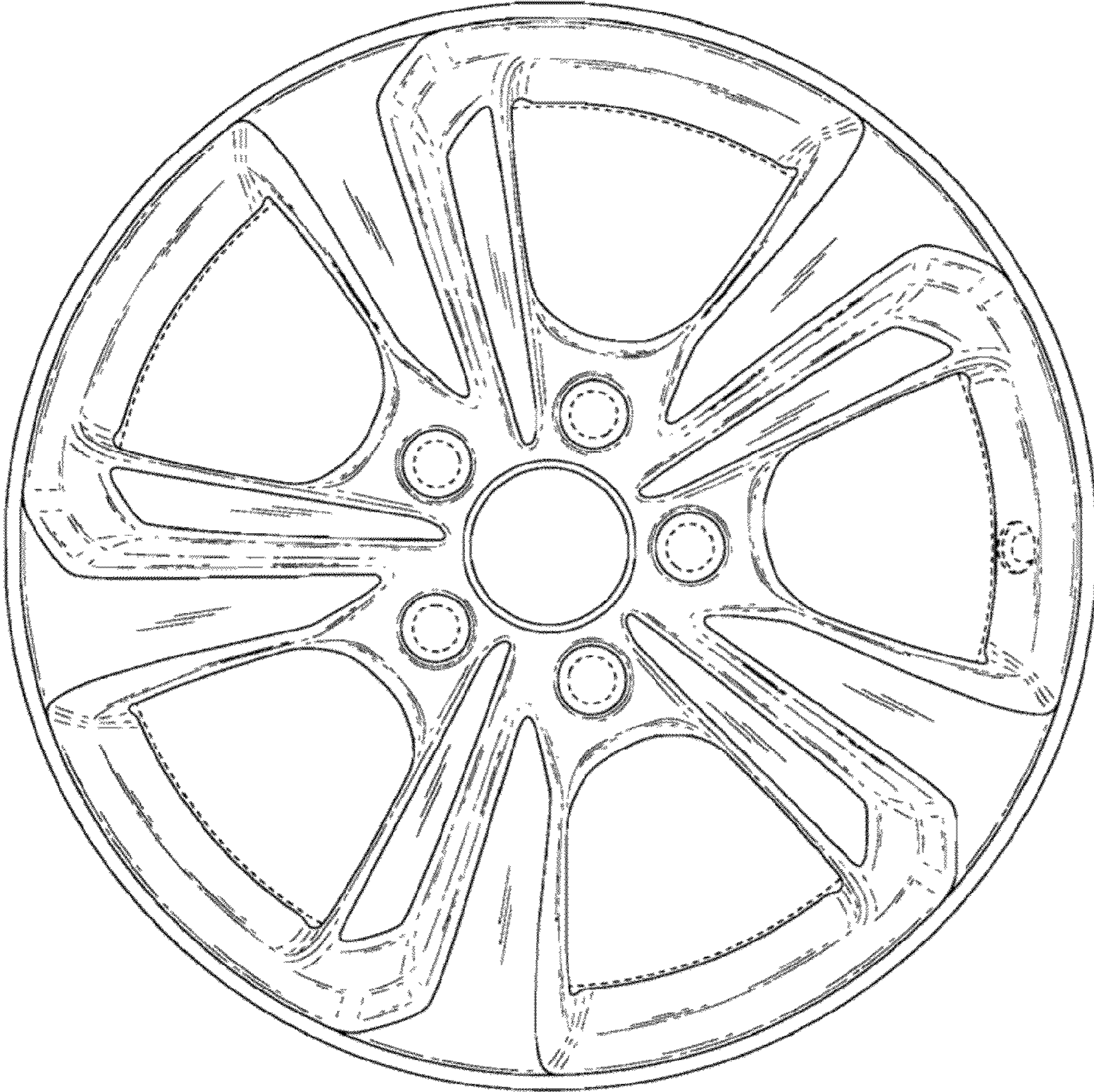


FIG.3