



US00D706187S

(12) **United States Design Patent**
Tilscher et al.

(10) **Patent No.:** **US D706,187 S**
(45) **Date of Patent:** **** Jun. 3, 2014**

(54) **STEERING WHEEL**

(71) Applicant: **Dr. Ing. h.c. F. Porsche**
Aktiengesellschaft, Stuttgart (DE)

(72) Inventors: **Carsten Tilscher, Stuttgart (DE);**
Morton Goedecke, Leonberg (DE)

(73) Assignee: **Dr. Ing. h.c. F. Porsche**
Aktiengesellschaft, Stuttgart (DE)

(**) Term: **14 Years**

(21) Appl. No.: **29/445,211**

(22) Filed: **Feb. 8, 2013**

(30) **Foreign Application Priority Data**

Aug. 9, 2012 (DE) 40 2012 100 632

(51) **LOC (10) Cl.** **12-16**

(52) **U.S. Cl.**
USPC **D12/176**

(58) **Field of Classification Search**
USPC D12/175, 176; 74/552, 558, 558.5
See application file for complete search history.

(56) **References Cited**

U.S. PATENT DOCUMENTS

D514,485 S *	2/2006	Juraschek et al.	D12/176
D630,983 S *	1/2011	Frank et al.	D12/176
D635,069 S *	3/2011	Klein et al.	D12/176
D635,900 S *	4/2011	Anzi	D12/176
D636,711 S *	4/2011	Anzi	D12/176
D672,293 S *	12/2012	Toyama et al.	D12/176
D684,511 S *	6/2013	Koyama	D12/176

* cited by examiner

Primary Examiner — Melody Brown

(74) *Attorney, Agent, or Firm* — RatnerPrestia

(57) **CLAIM**

The ornamental design for a steering wheel, as shown and described.

DESCRIPTION

FIG. 1 is a perspective view of a steering wheel;
FIG. 2 is a front elevation view thereof;
FIG. 3 is a rear elevation view thereof;
FIG. 4 is a left elevation view thereof;
FIG. 5 is a right elevation view thereof;
FIG. 6 is a top plan view thereof; and,
FIG. 7 is a bottom plan view thereof.
The features that are shown in broken lines are for illustration only and form no part of the claimed design.

1 Claim, 7 Drawing Sheets





Figure 1



Figure 2



Figure 3

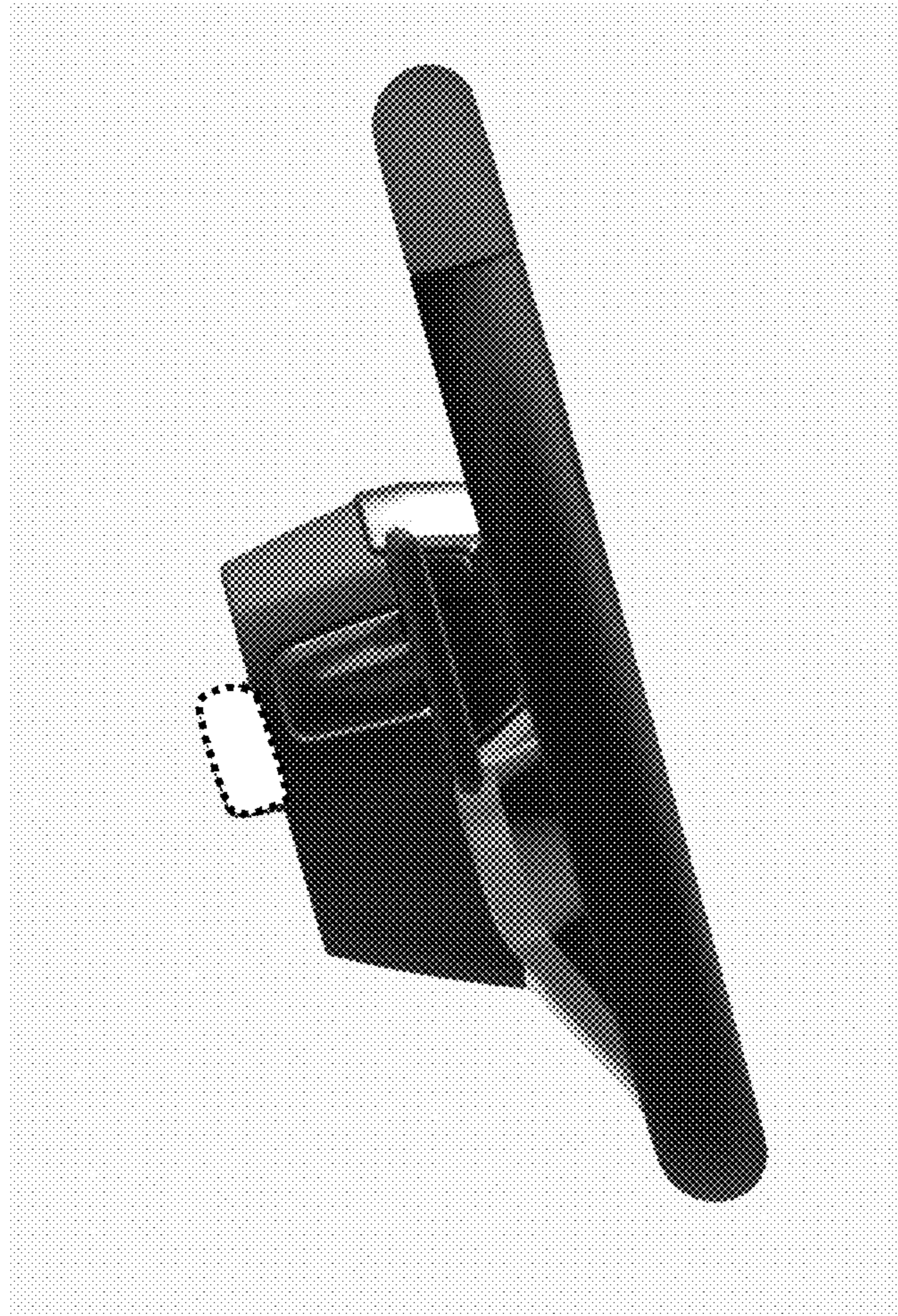


Figure 4

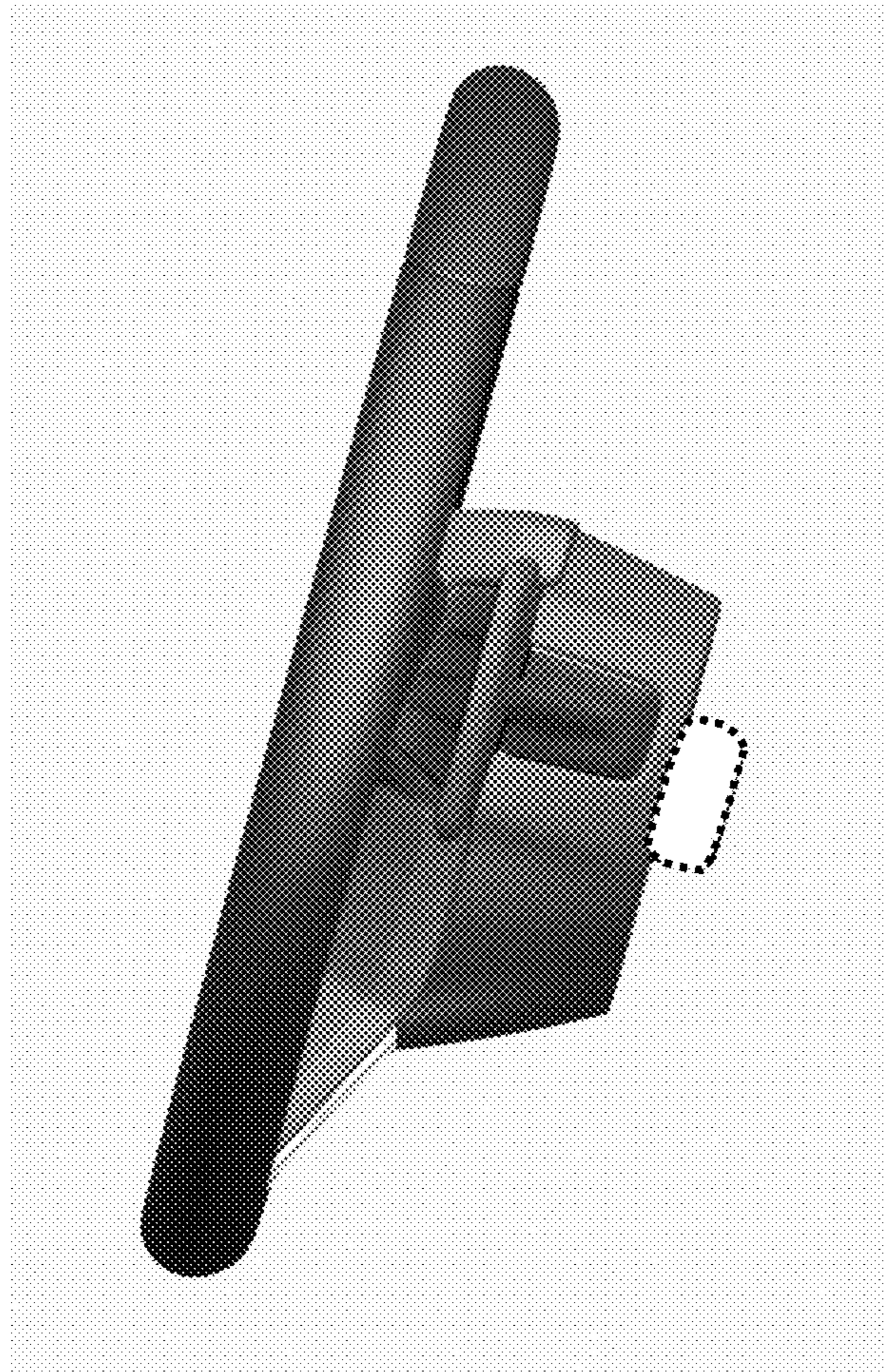


Figure 5

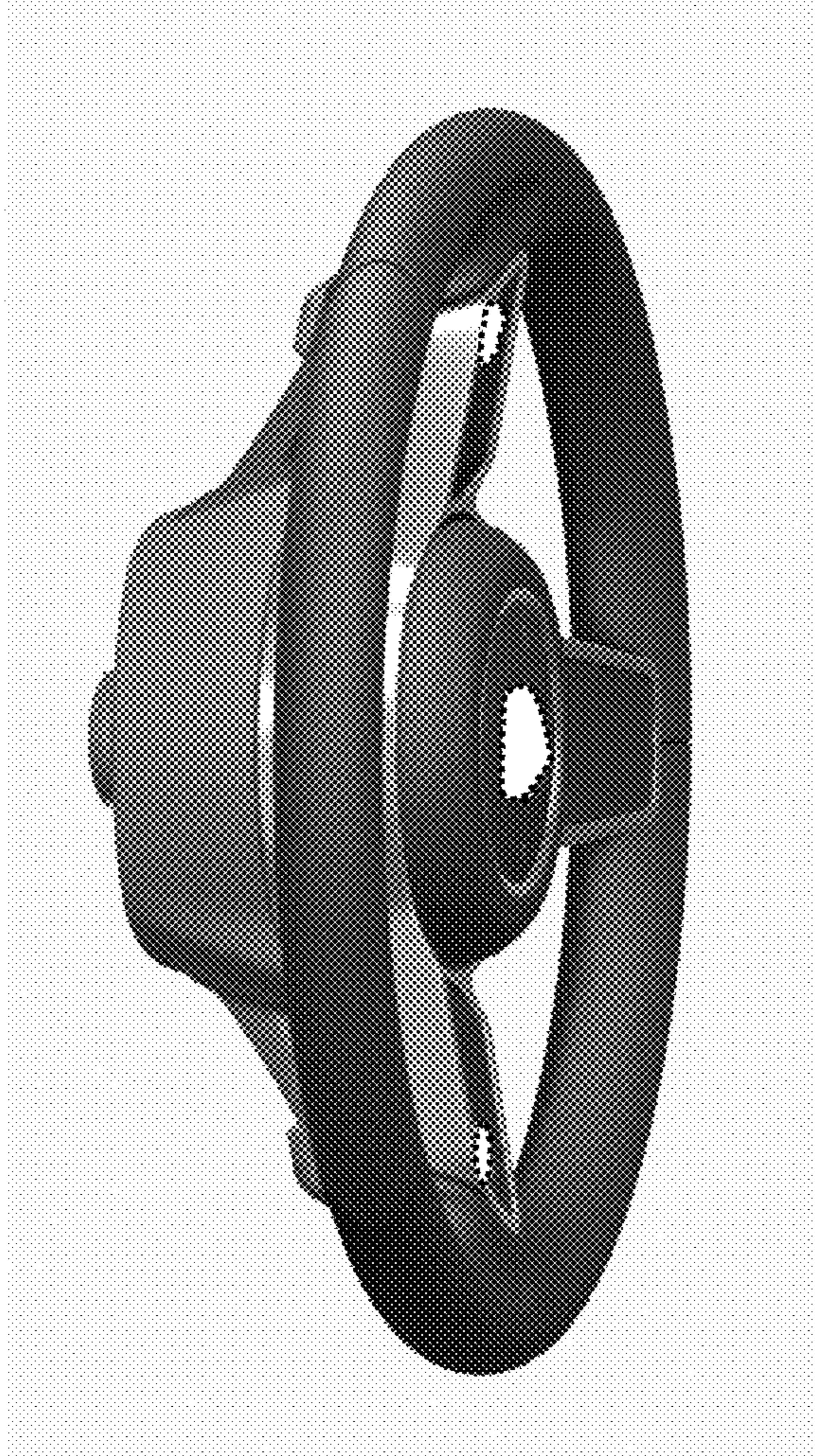


Figure 6



Figure 7