



US00D706185S

(12) **United States Design Patent**  
**Mackay**

(10) **Patent No.:** **US D706,185 S**  
(45) **Date of Patent:** **\*\* Jun. 3, 2014**

- (54) **VEHICLE HOOD**
- (71) Applicant: **GM Global Technology Operations LLC**, Detroit, MI (US)
- (72) Inventor: **Brendon C. Mackay**, Shelby Township, MI (US)
- (73) Assignee: **GM Global Technology Operations LLC**, Detroit, MI (US)
- (\*\*) Term: **14 Years**
- (21) Appl. No.: **29/449,411**
- (22) Filed: **Mar. 15, 2013**
- (51) **LOC (10) Cl.** ..... **12-16**
- (52) **U.S. Cl.**  
USPC ..... **D12/173**
- (58) **Field of Classification Search**  
USPC ..... D12/173, 196, 90-92, 164; 180/69.2, 180/69.21  
See application file for complete search history.

- D609,615 S \* 2/2010 Krugger et al. .... D12/173
- D683,675 S \* 6/2013 Munson et al. .... D12/173
- D692,812 S \* 11/2013 Harriton ..... D12/173
- D694,159 S \* 11/2013 Jung ..... D12/173

\* cited by examiner

*Primary Examiner* — Melody N. Brown  
(74) *Attorney, Agent, or Firm* — Parks IP Law LLC; Mickki D. Murray, Esq.

(57) **CLAIM**

The ornamental design for a vehicle hood, as shown and described.

**DESCRIPTION**

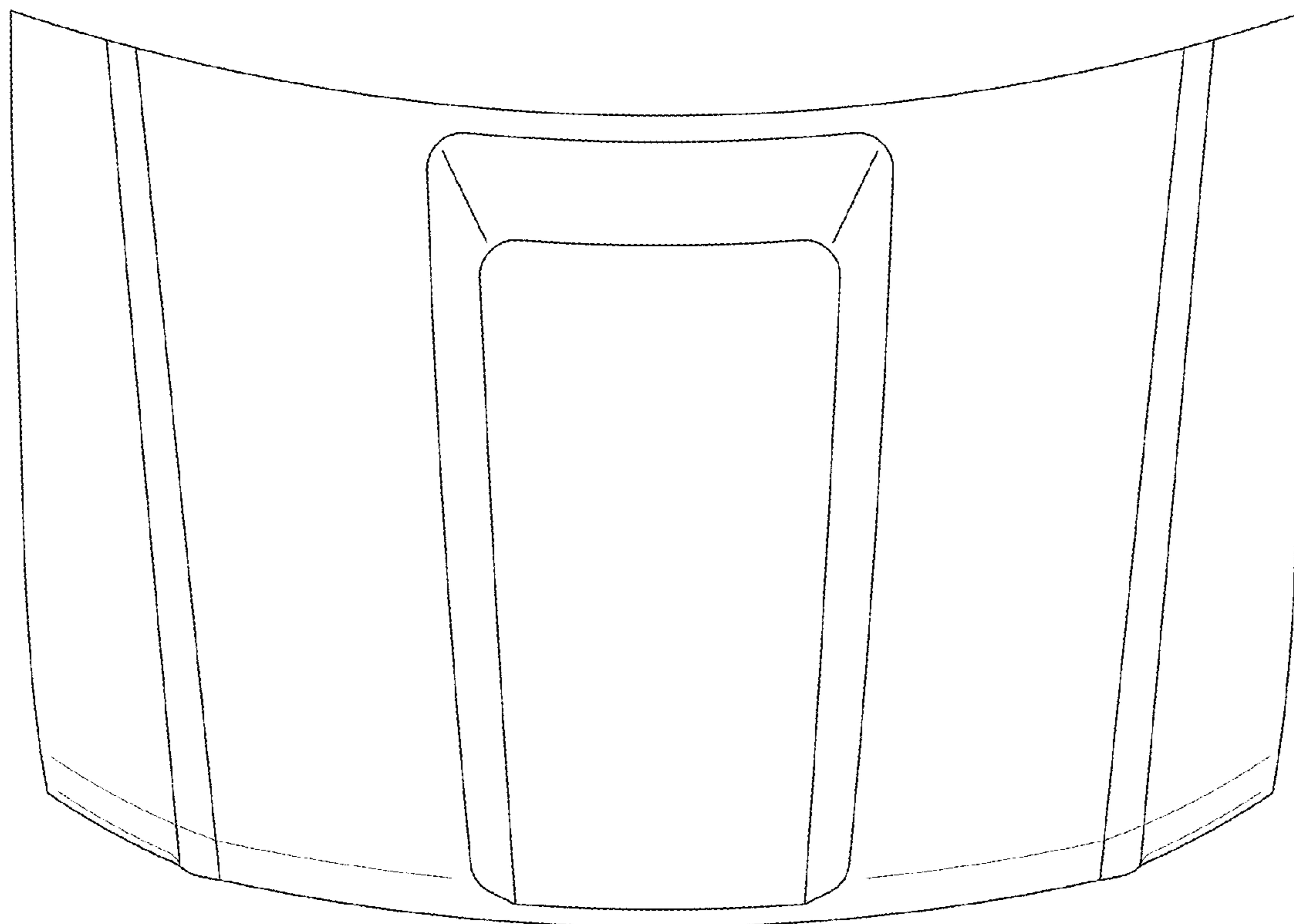
FIG. 1 is perspective view of a vehicle hood showing the new design;  
FIG. 2 is a top plan view, thereof;  
FIG. 3 is a side view, thereof; and,  
FIG. 4 is a front view, thereof.

(56) **References Cited**

**U.S. PATENT DOCUMENTS**

- D597,003 S \* 7/2009 Yamazaki et al. .... D12/173

**1 Claim, 1 Drawing Sheet**



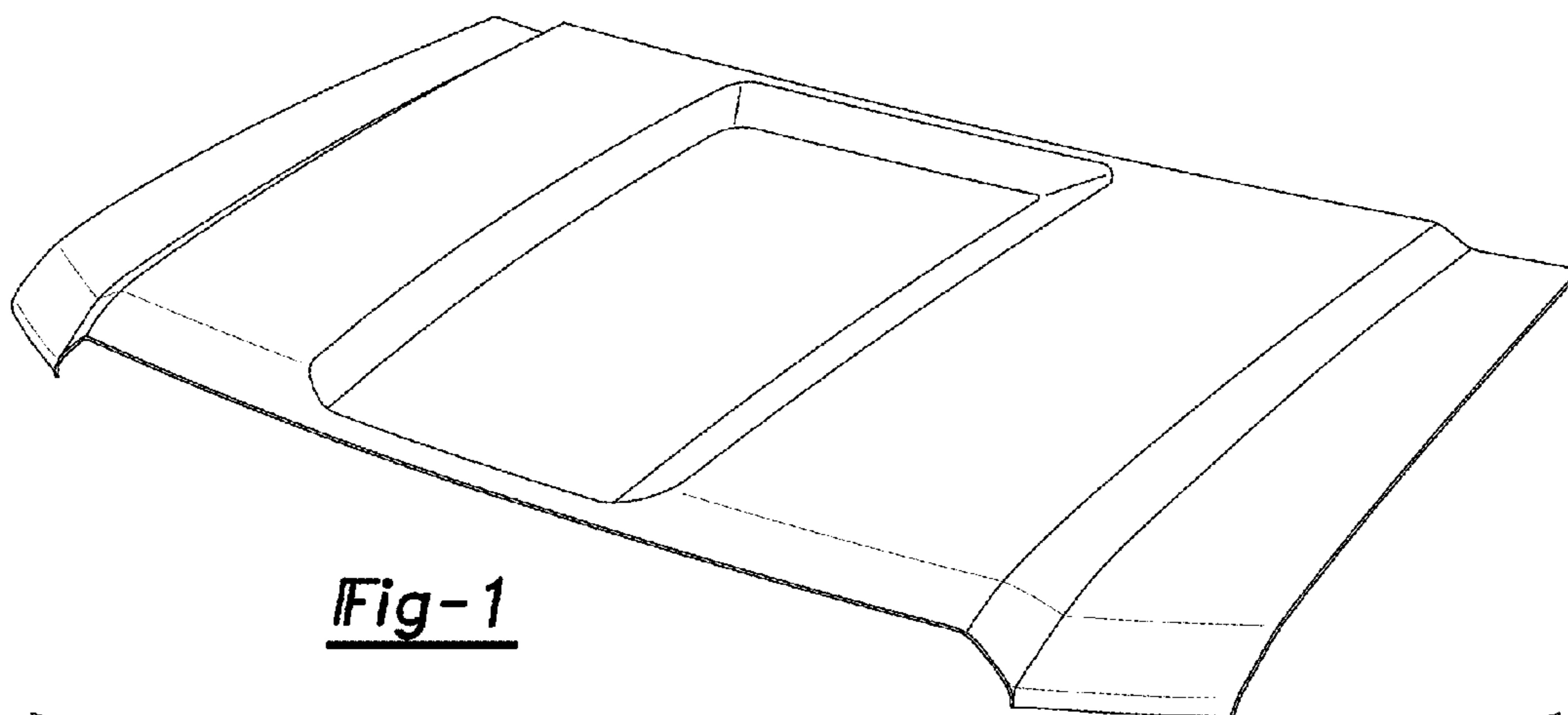


Fig-1

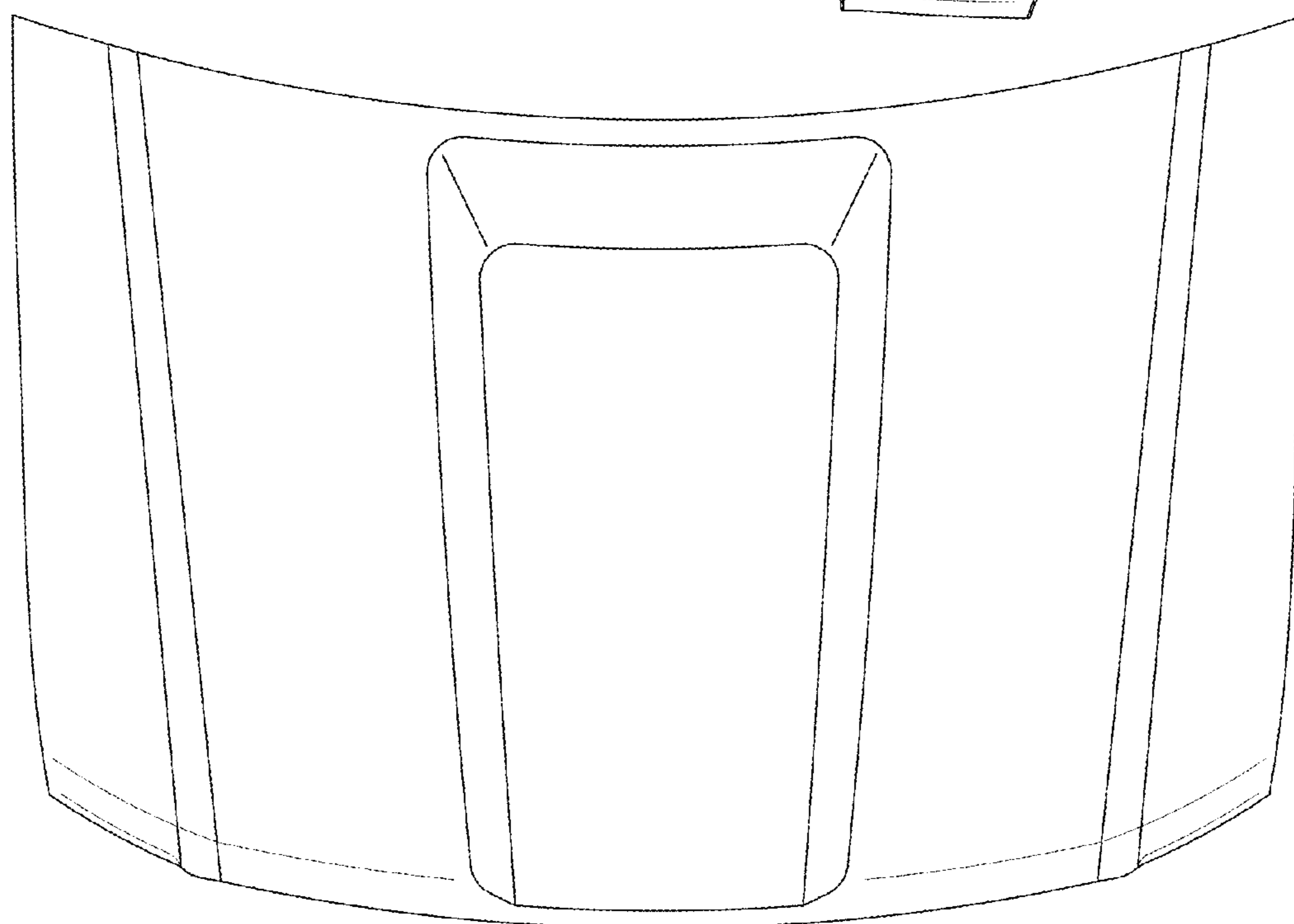


Fig-2

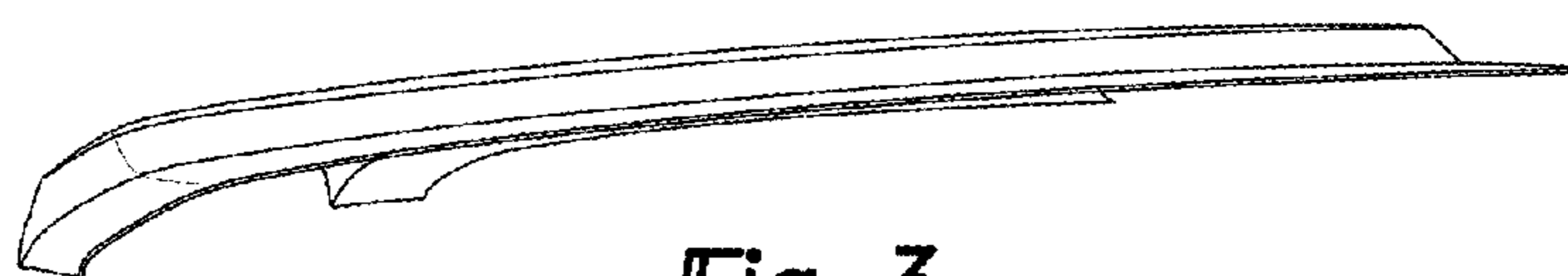


Fig-3

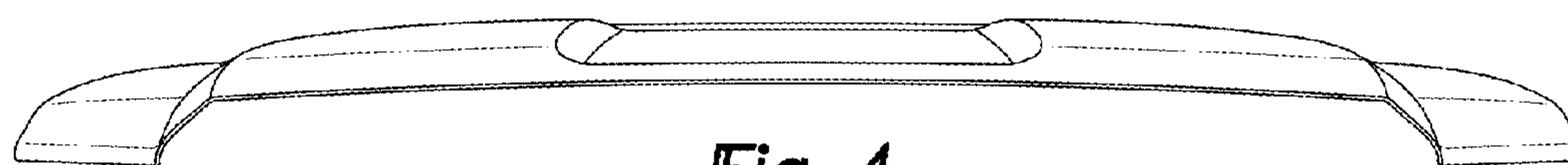


Fig-4