



US00D706179S

(12) **United States Design Patent**
Pochurek et al.

(10) **Patent No.:** **US D706,179 S**
(45) **Date of Patent:** **** Jun. 3, 2014**

(54) **FORGED RING FOR A VEHICLE HITCH ASSEMBLY**

(71) Applicant: **Westin Automotive Products, Inc.**, San Dimas, CA (US)

(72) Inventors: **Scott Pochurek**, Temecula, CA (US);
Victor Garcia, Azusa, CA (US)

(73) Assignee: **Westin Automotive Products, Inc.**, San Dimas, CA (US)

(**) Term: **14 Years**

(21) Appl. No.: **29/451,347**

(22) Filed: **Apr. 1, 2013**

(51) **LOC (10) Cl.** **12-16**

(52) **U.S. Cl.**
USPC **D12/162**

(58) **Field of Classification Search**
USPC D12/162, 159, 161, 160; 56/DIG. 14;
37/399; 280/406.2, 407, 407.1, 408,
280/411.1, 416.1, 416.2, 416.3, 418, 418.1,
280/433, 434, 435, 441.1, 441.2, 455.1,
280/456.1, 480, 493, 504, 507, 508;
224/42.11, 42.12, 42.14, 42.26, 400,
224/401, 412, 413, 488, 494, 500-501, 519,
224/537; 135/88.05; 150/166

See application file for complete search history.

(56) **References Cited**

U.S. PATENT DOCUMENTS

7,059,158 B2 * 6/2006 Freeman 70/34
7,125,035 B1 * 10/2006 Huenefeld 280/507

7,455,313 B2 * 11/2008 Yokosh et al. 280/507
7,641,214 B2 * 1/2010 Kahl 280/446.1
8,079,612 B1 * 12/2011 Tambornino 280/506
8,341,794 B1 * 1/2013 Sales 15/104.05
D686,954 S * 7/2013 Scruggs et al. D12/162
2004/0046560 A1 * 3/2004 Itskovich et al. 324/339
2006/0025264 A1 * 2/2006 Sowul et al. 475/5
2013/0320058 A1 * 12/2013 Wang 224/520
2014/0054876 A1 * 2/2014 Thomas 280/505

* cited by examiner

Primary Examiner — Katrina A Betton

(74) *Attorney, Agent, or Firm* — The Dobrusin Law Firm, PC

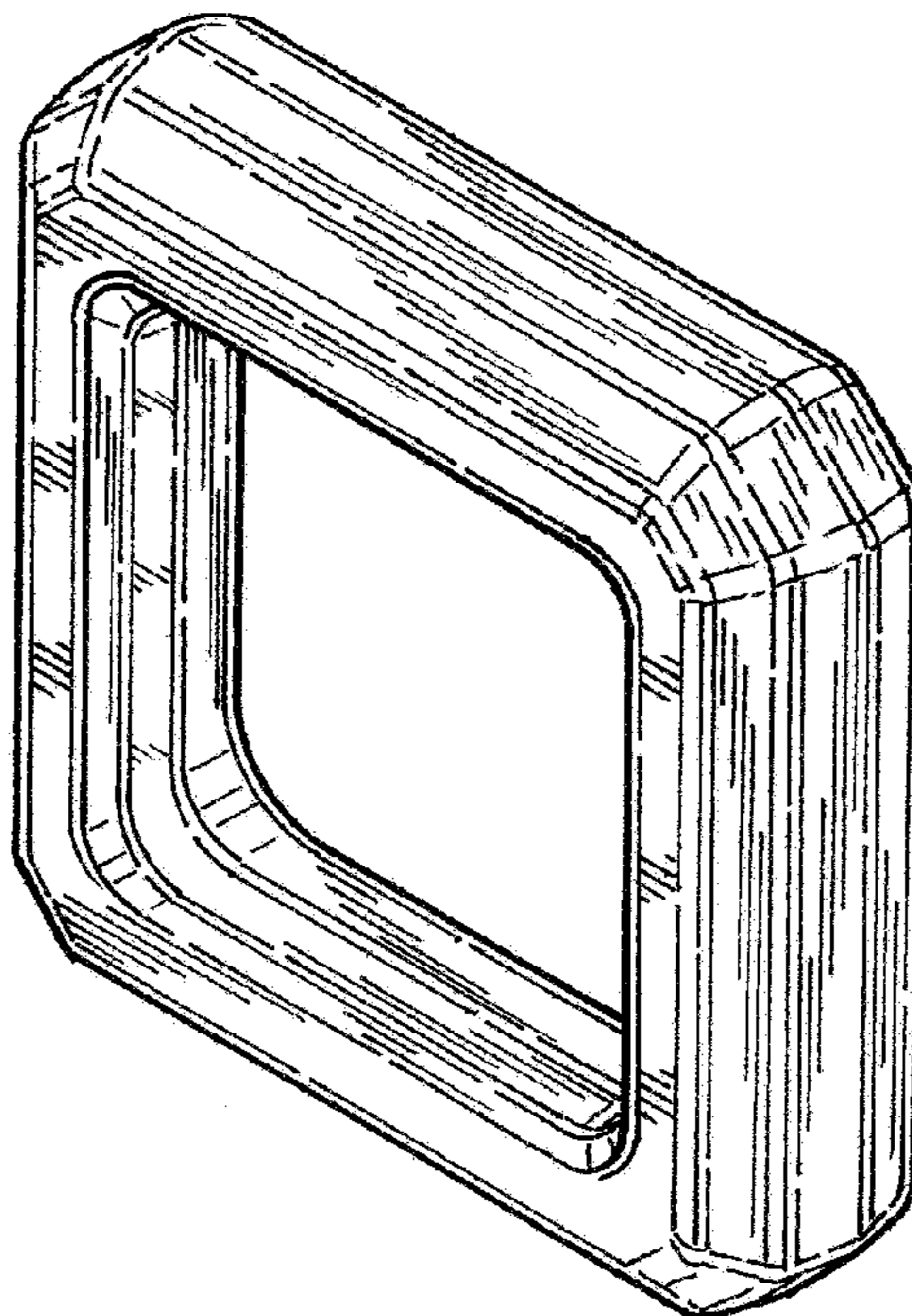
(57) **CLAIM**

The ornamental design of a forged ring for a vehicle hitch assembly, as shown and described.

DESCRIPTION

FIG. 1 is a perspective view of the forged ring for vehicle hitch assembly showing our new design;
FIG. 2 is another perspective view of the forged ring of FIG. 1;
FIG. 3 is a front elevational view of the forged ring of FIG. 1;
FIG. 4 is a back elevational view of the forged ring of FIG. 1;
FIG. 5 is a left side elevational view of the forged ring of FIG. 1, the right side being a mirror image;
FIG. 6 is a top plan view for the forged ring of FIG. 1, the bottom side being a mirror image; and,
FIG. 7 is a perspective view of the forged ring of FIG. 1 connected to a receiver hitch of a vehicle hitch assembly.
The broken lines showing of environment is for illustrative purposes only and forms no part of the claimed design.

1 Claim, 3 Drawing Sheets



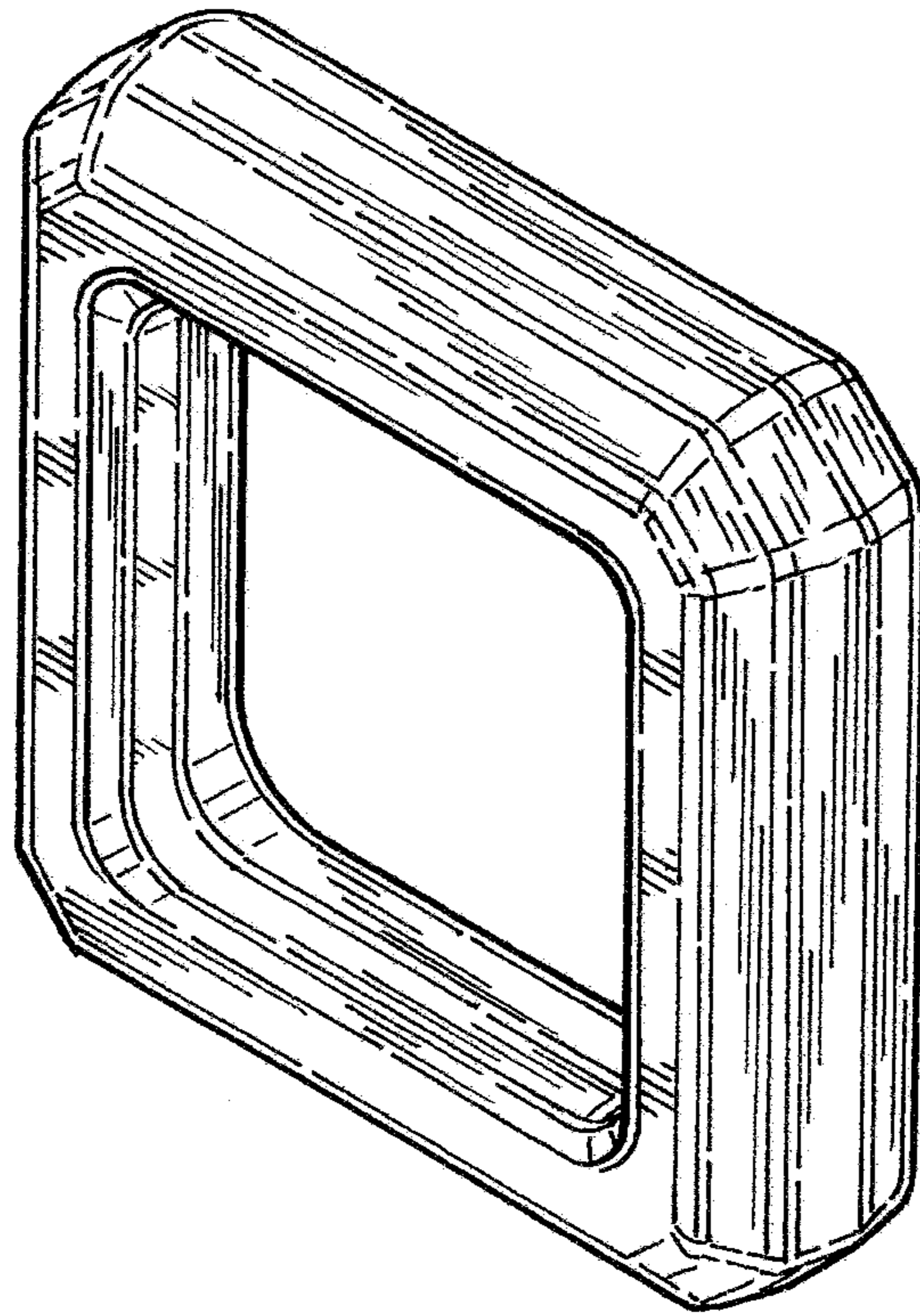


FIG.1

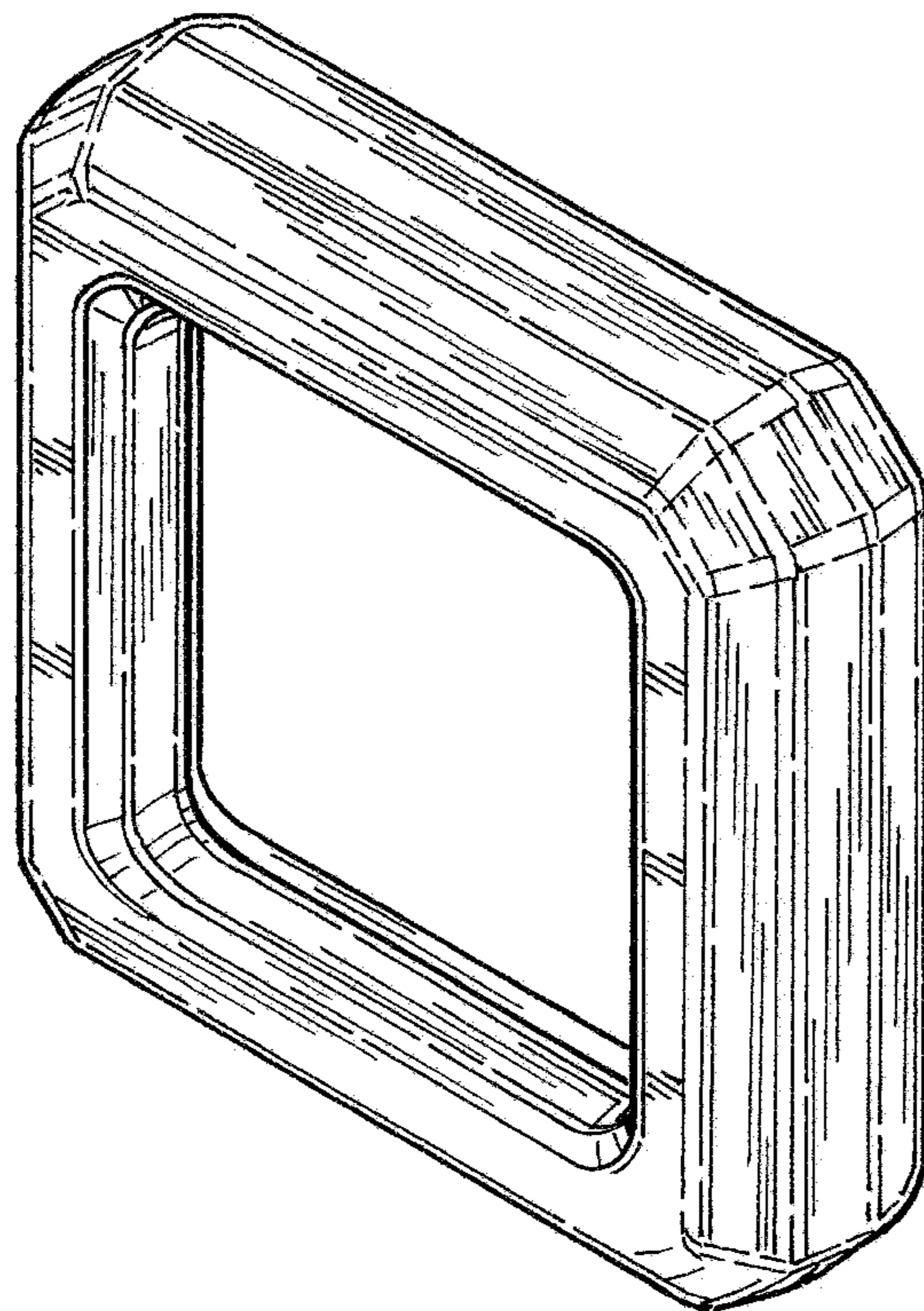


FIG.2

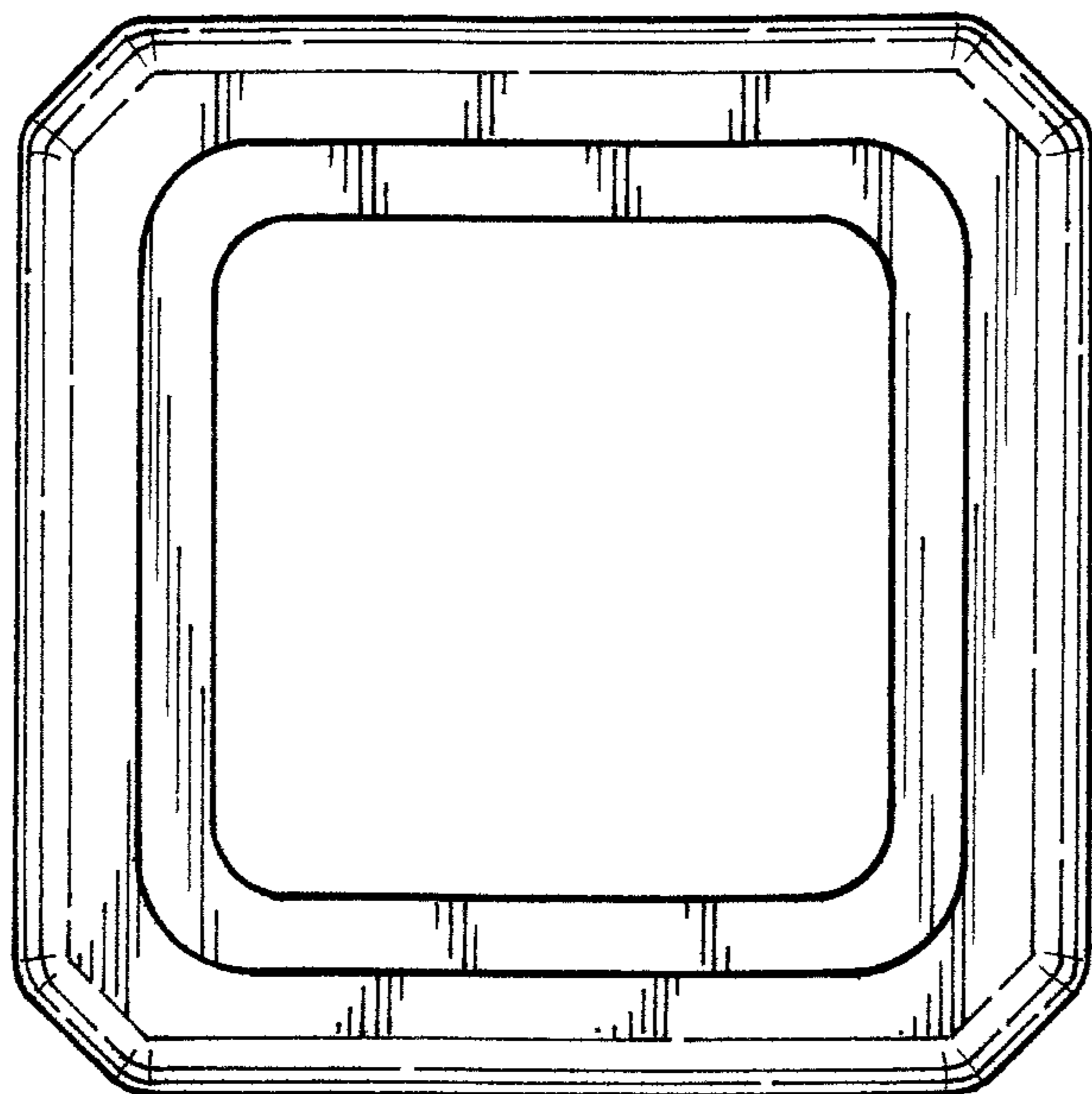


FIG.3

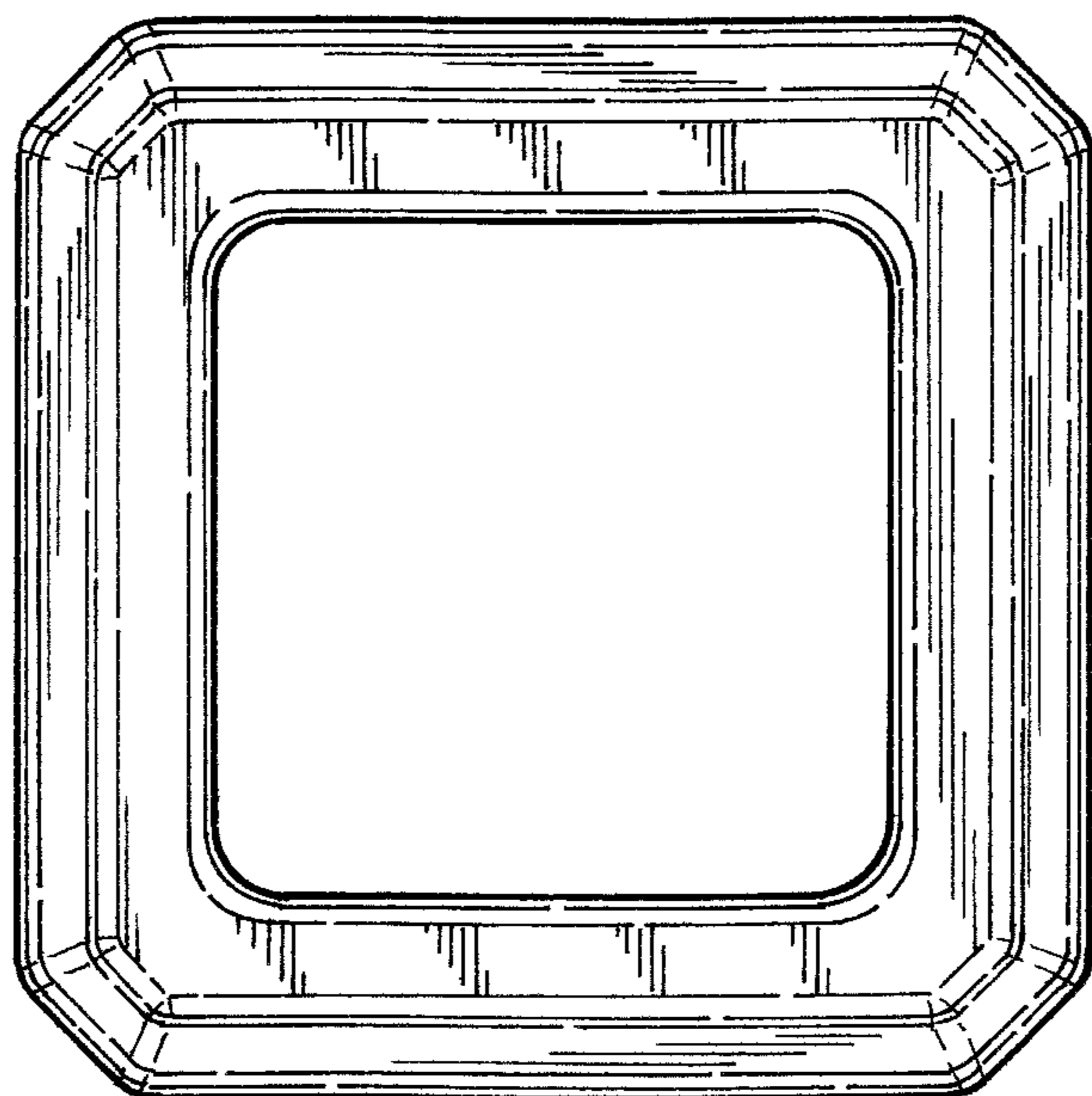


FIG.4

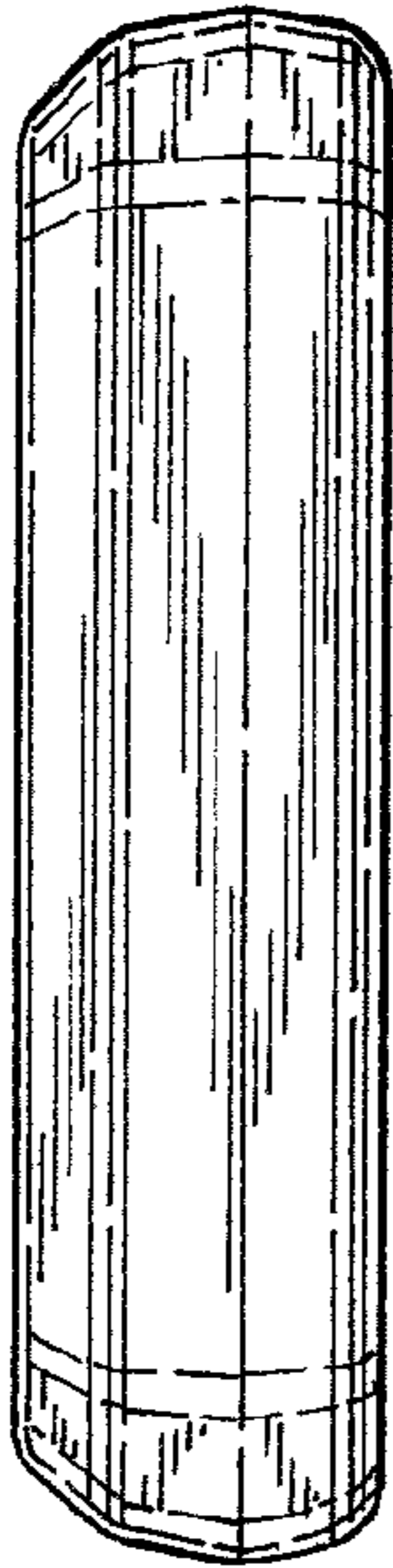


FIG. 5

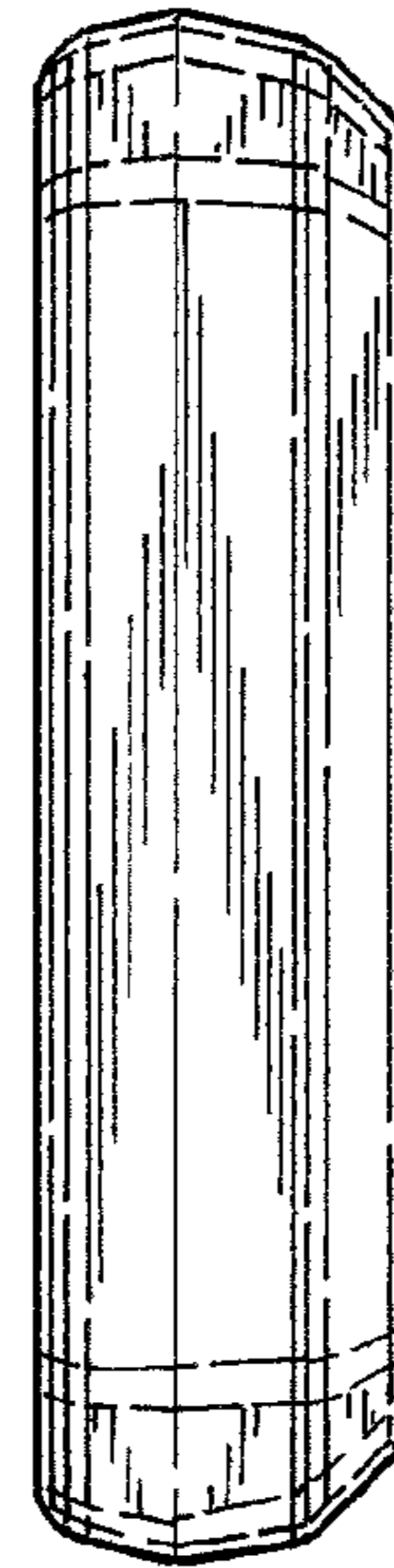


FIG. 6

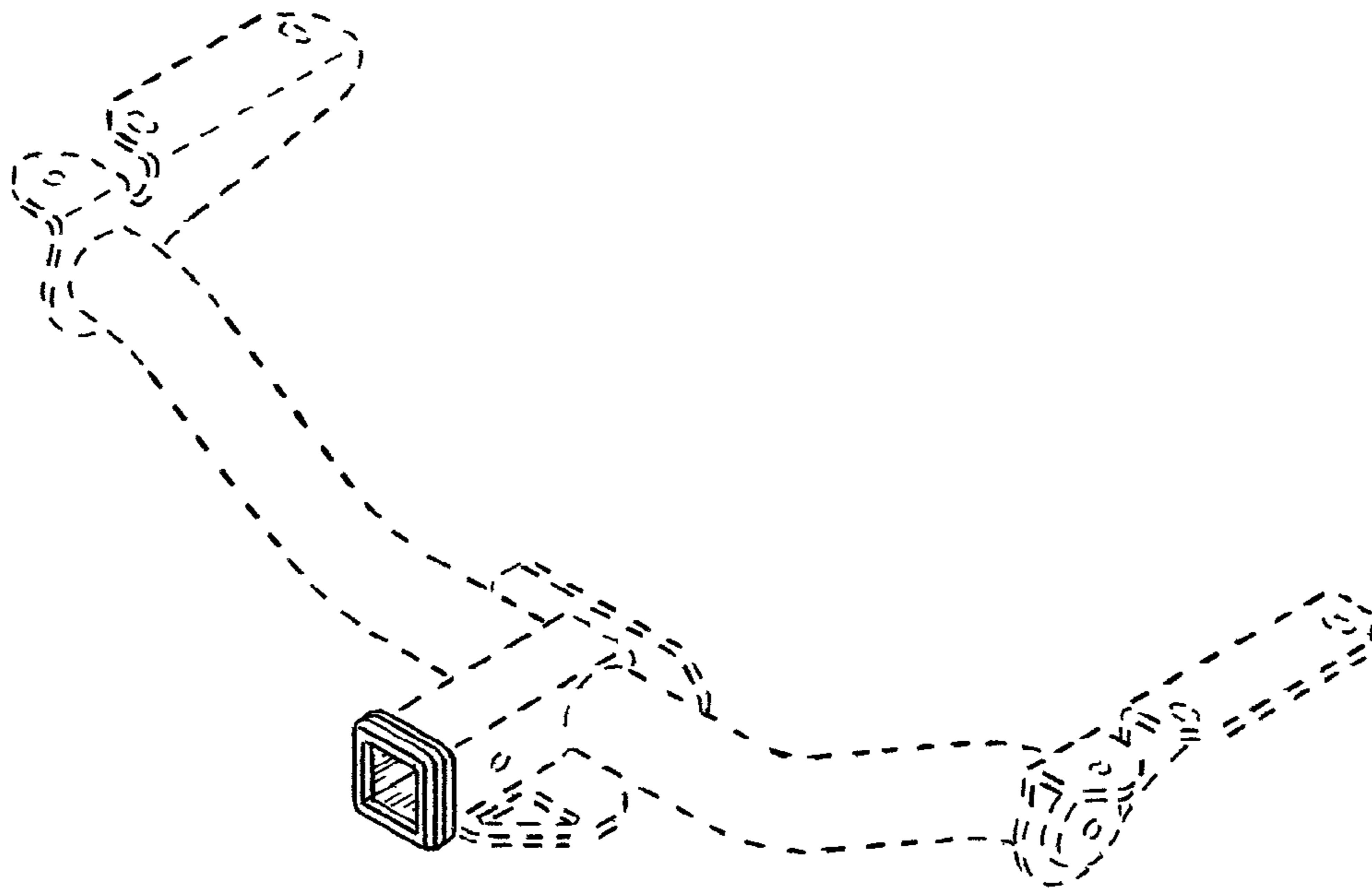


FIG. 7