



US00D706177S

(12) **United States Design Patent**
Finnie

(10) **Patent No.:** **US D706,177 S**
(45) **Date of Patent:** **** Jun. 3, 2014**

- (54) **MOTORCYCLE AIR CLEANER**
- (71) Applicant: **Mark Finnie**, La Palma, CA (US)
- (72) Inventor: **Mark Finnie**, La Palma, CA (US)
- (73) Assignee: **Performance Machine, LLC**, La Palma, CA (US)
- (**) Term: **14 Years**
- (21) Appl. No.: **29/454,526**
- (22) Filed: **May 10, 2013**
- (51) **LOC (10) Cl.** **12-11**
- (52) **U.S. Cl.**
USPC **D12/126**
- (58) **Field of Classification Search**
CPC F02M 35/024; F02M 35/04; F02M 35/02;
B01D 50/002; Y02T 10/146
USPC D12/126, 180, 114; 123/184.21;
55/337; D15/5; D23/365, 364;
188/73.31, 74.43, 233.7, 205 A, 73.36
See application file for complete search history.

D676,361	S	*	2/2013	Louden et al.	D12/126
2008/0223327	A1	*	9/2008	Smith et al.	123/184.21
2012/0031060	A1	*	2/2012	Iddings et al.	55/502
2012/0067017	A1	*	3/2012	Baseotto et al.	55/502
2014/0053796	A1	*	2/2014	Rotter et al.	123/184.21

OTHER PUBLICATIONS

'Virtue'—Performance Machine's 2007 Fat Boy, posted at motorcycles usa, posted on Jan. 25, 2013, [online], [site visited Mar. 13, 2014]. Available from Internet, <URL: <http://www.motorcycle-usa.com/321/15377/Motorcycle-Article/Virtue---Performance-Machines-2007-Fat-Boy.aspx>>.*
Max HP Air Cleaner, posted at performance machine, posting date not given, [online], [site visited Mar. 13, 2014]. Available from Internet, <URL: <http://www.performancemachine.com/motorcycle-air-cleaners/MAX-HP.aspx>>.*

* cited by examiner

Primary Examiner — Eric Goodman

Assistant Examiner — Ryan Harvey

(74) *Attorney, Agent, or Firm* — David Pressman

(57) **CLAIM**

The ornamental design for a motorcycle air cleaner, as shown and described.

DESCRIPTION

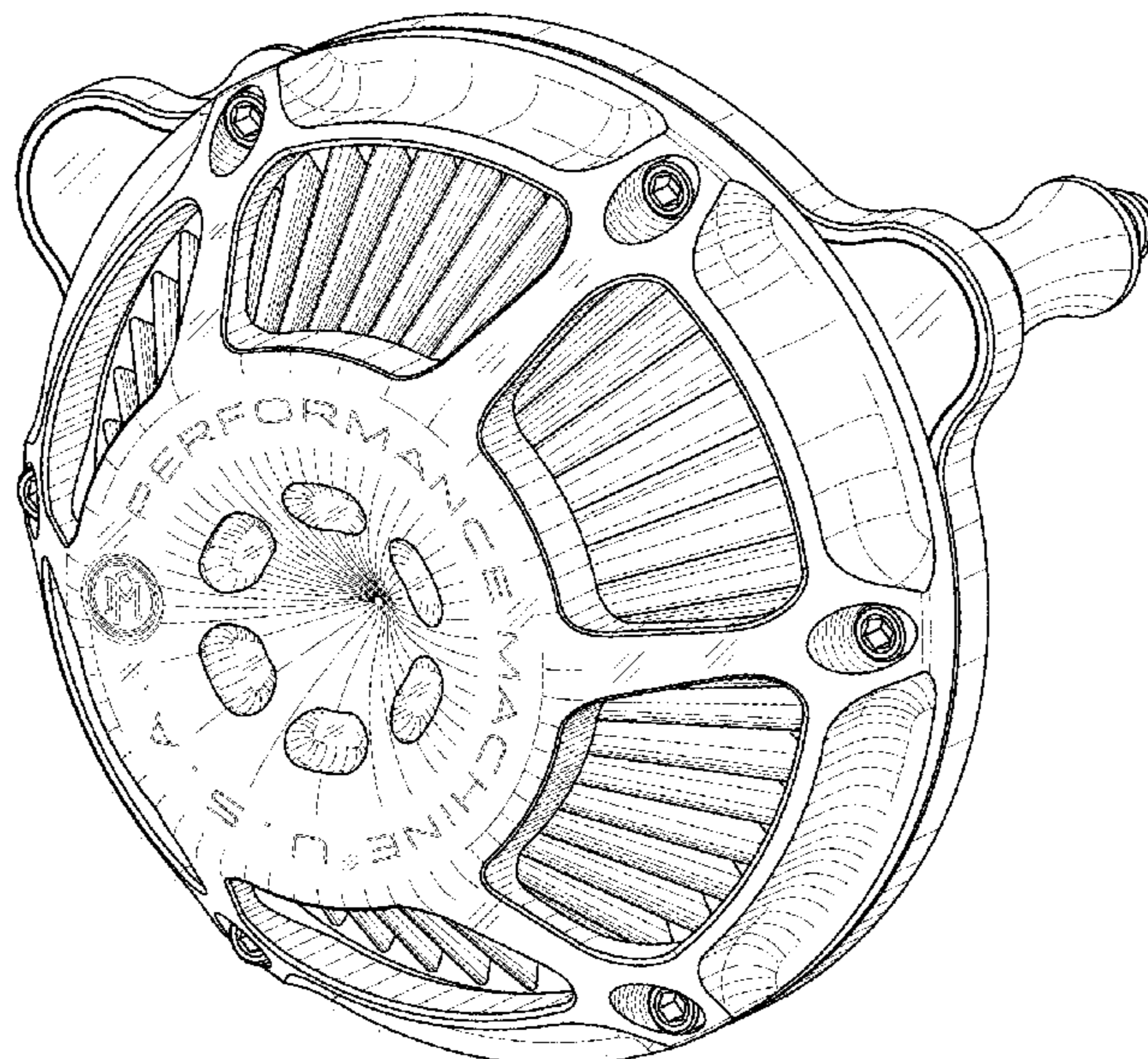
FIG. 1 is an isometric view of my motorcycle air cleaner taken from above and to the right.
FIG. 2 is an isometric view taken from below and to the right.
FIG. 3 is a top or plan view.
FIG. 4 is a bottom view; and,
FIG. 5 is a side view taken from the right.

1 Claim, 5 Drawing Sheets

(56) **References Cited**

U.S. PATENT DOCUMENTS

D305,149	S	*	12/1989	Stahel	D23/364
D446,753	S	*	8/2001	Golden et al.	D12/126
D530,807	S	*	10/2006	Miyagishima et al.	D23/365
D544,083	S	*	6/2007	Walser	D23/365
D564,420	S	*	3/2008	Devlin	D12/126
D642,592	S	*	8/2011	Sands	D15/5
D642,593	S	*	8/2011	Finnie	D15/5
D675,230	S	*	1/2013	Finnie	D15/5
D675,649	S	*	2/2013	Sands	D15/5



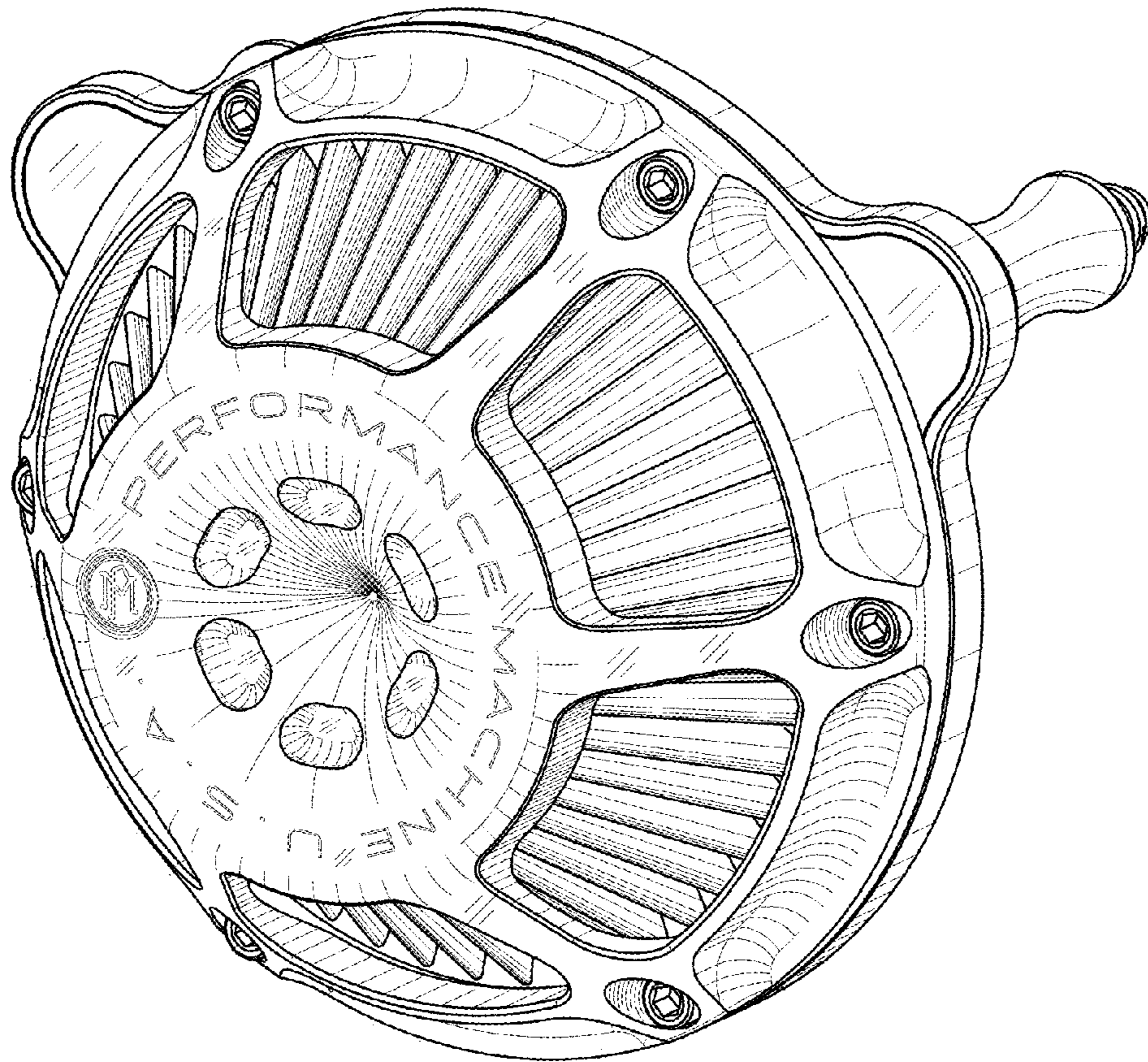


FIG 1

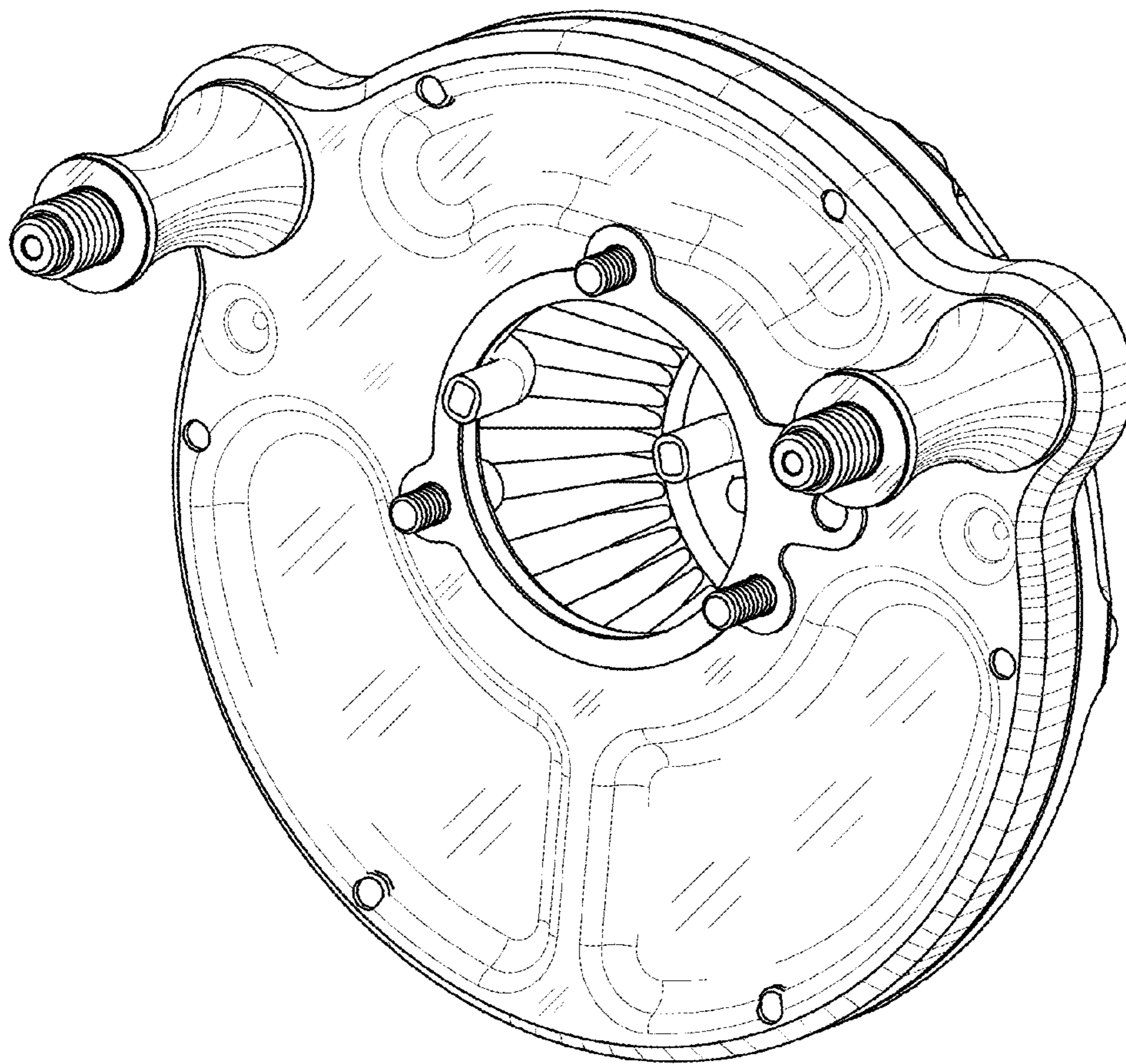


FIG 2

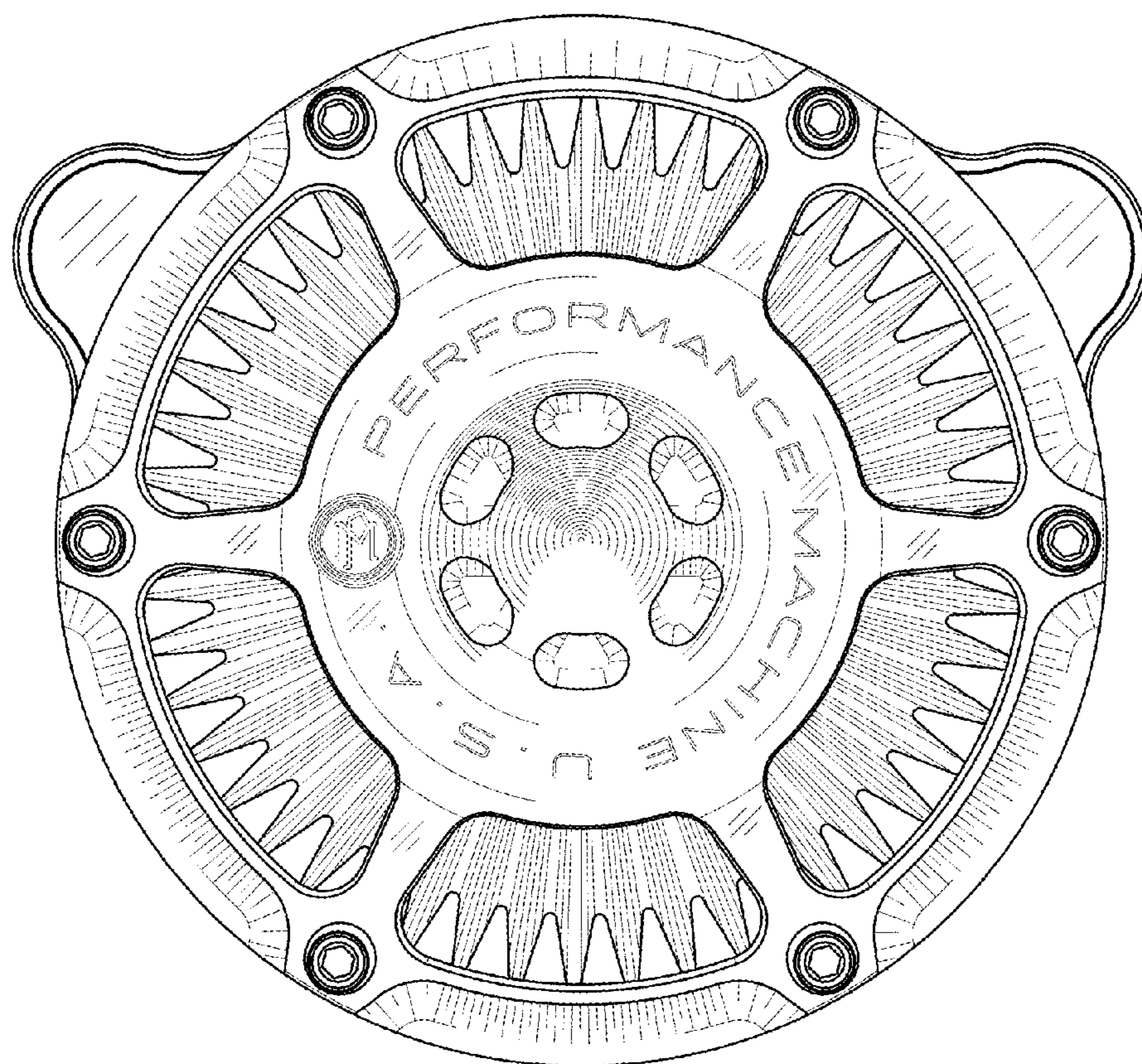


FIG 3

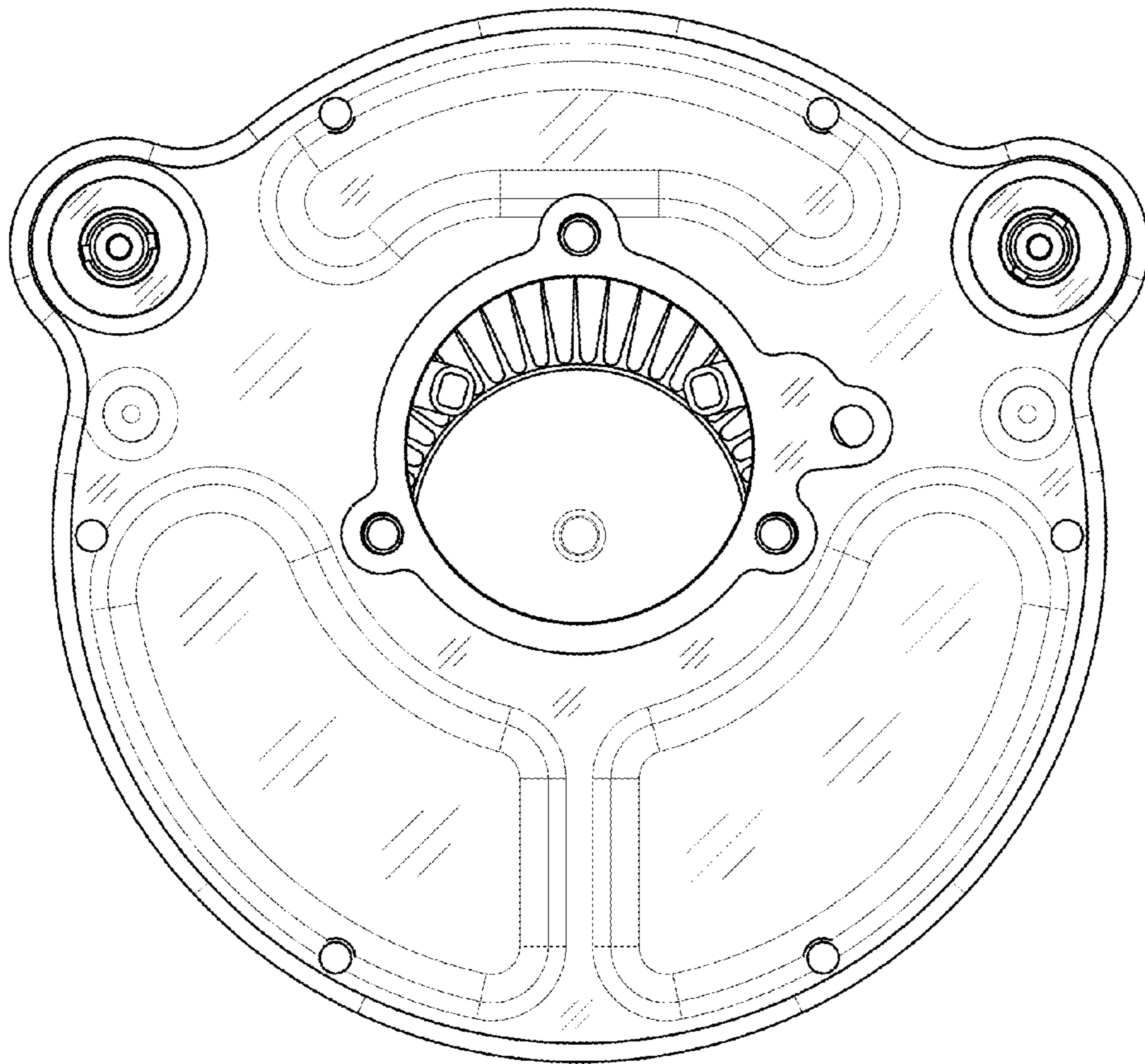


FIG 4

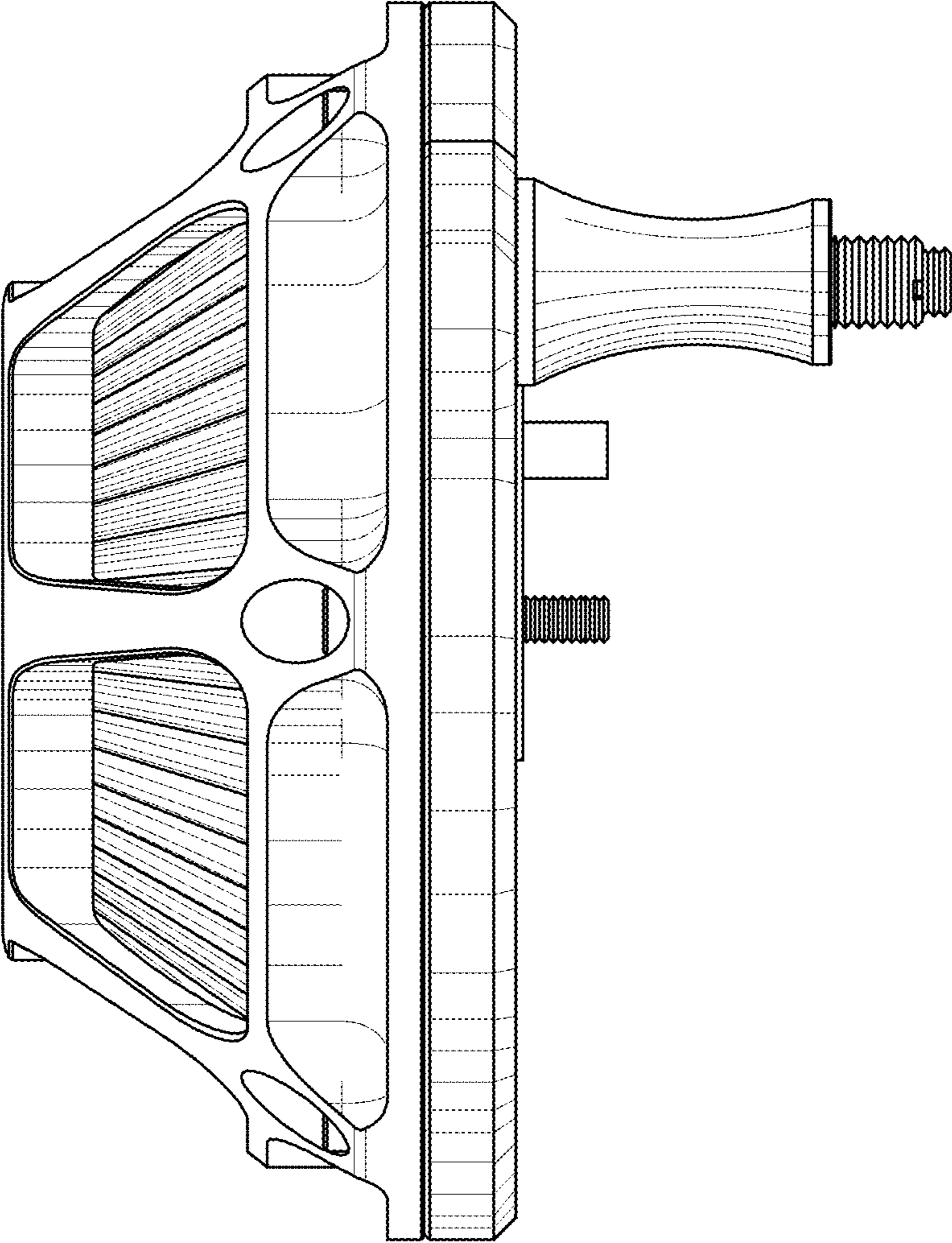


FIG 5