



US00D706176S

(12) **United States Design Patent**
Oberg

(10) **Patent No.:** **US D706,176 S**
(45) **Date of Patent:** **** Jun. 3, 2014**

- (54) **ROTATING CYCLE REFLECTOR**
- (71) Applicant: **Anne Oberg**, Longmont, CO (US)
- (72) Inventor: **Anne Oberg**, Longmont, CO (US)
- (**) Term: **14 Years**
- (21) Appl. No.: **29/448,808**
- (22) Filed: **Mar. 13, 2013**
- (51) **LOC (10) Cl.** **12-11**
- (52) **U.S. Cl.**
USPC **D12/114**
- (58) **Field of Classification Search**
CPC A63H 33/40; F21Y 2101/02; F21W
2121/00; A47G 19/2227; A47G 2200/08
USPC D12/114; D21/510, 458; 446/217, 219,
446/213, 418, 488, 404, 415; 362/35, 276,
362/96, 269, 272; 248/314
See application file for complete search history.

(56) **References Cited**

U.S. PATENT DOCUMENTS

2,510,336	A *	6/1950	Donahue	446/217
3,475,850	A *	11/1969	Lee	446/217
4,758,197	A *	7/1988	Lee	446/213
4,767,373	A *	8/1988	Antonio	446/217
5,083,963	A *	1/1992	Lin	446/217
5,092,809	A *	3/1992	Kessler	446/217
5,368,515	A *	11/1994	Mast	446/217
5,971,828	A *	10/1999	Lin	446/217
D437,894	S *	2/2001	Johann	D21/458
2003/0021101	A1 *	1/2003	Nelson et al.	362/35
2003/0021102	A1 *	1/2003	Nelson et al.	362/35
2006/0065803	A1 *	3/2006	Kahan	248/314
2013/0252507	A1 *	9/2013	Kessler	446/217

OTHER PUBLICATIONS

New Garden Ornament Windmill Flower Design Assorted Colours, posted at Ebay, Dec. 16, 2013, "bennetdiscount", [online], [site visited Dec. 23, 2013]. Available from Internet, <URL: www.ebay.co.uk/itm/NEW-GARDEN-ORNAMENT-WINDMILL-FLOWER-

DESIGN-ASSORTED-COLOURS-/380797090410?pt=UK_HomeGarden_Garden_GardenOrnaments_JN&hash=item58a9467a6a#ht_2590wt_1072.*
Sunflower Windmills for Garden Beach *New*, posted date unknown, "lesleys_homewares", [online], [site visited Dec. 23, 2013]. Available from Internet, <URL: http://www.ebay.co.uk/itm/SUNFLOWER-WINDMILLS-for-GARDEN-BEACH-NEW/171066226113?pt=UK_HomeGarden_Garden_GardenOrnaments_JN&hash=item27d45775c1.*
Sunflower Holographic Windmills for Garden Beach *New*, posted at Ebay, Oct. 10, 2013, "emily_fancydress_international", [online], [site visited Dec. 23, 2013]. Available from Internet, <URL: http://www.ebay.co.uk/itm/SUNFLOWER-Holographic-WINDMILLS-for-GARDEN-BEACH-NEW-/280693180351?pt=UK_HomeGarden_Garden_GardenOrnaments_JN&var=&hash=item415a9e07bf.*

(Continued)

Primary Examiner — Eric Goodman
Assistant Examiner — Ryan Harvey
(74) *Attorney, Agent, or Firm* — Lee G. Meyer, Esq.; Meyer & Associates, LLC

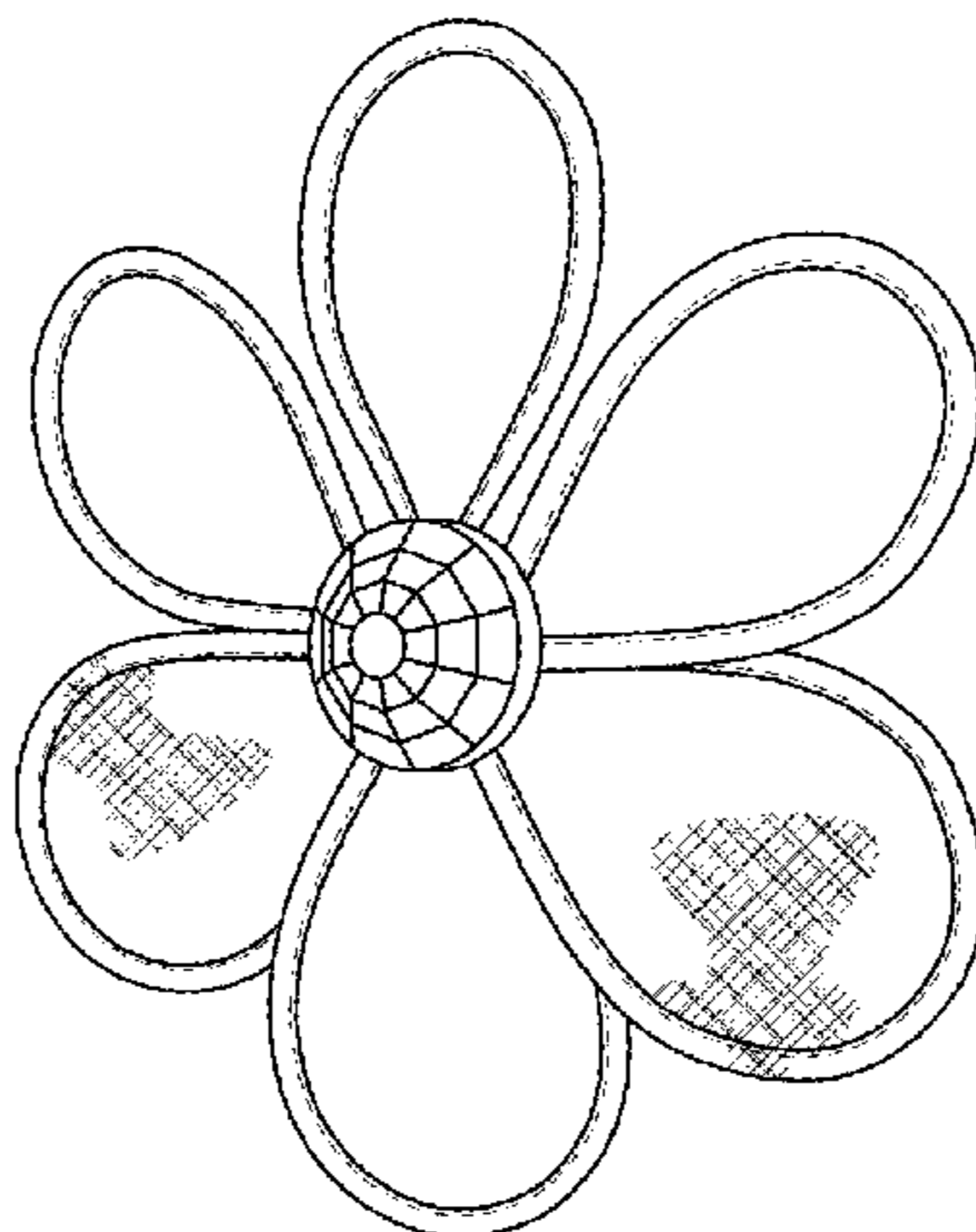
(57) **CLAIM**

The ornamental design for a rotating cycle reflector, as shown.

DESCRIPTION

FIG. 1 is a perspective view of a rotating cycle reflector showing my new design;
FIG. 2 is a front elevational view of the rotating cycle reflector as shown in FIG. 1;
FIG. 3 is a rear elevational view of the rotating cycle reflector as shown in FIG. 1;
FIG. 4 is a left elevational view of the rotating cycle reflector as shown in FIG. 1 where the right elevational view is a mirror image of FIG. 4; and,
FIG. 5 is a top elevational view of the rotating cycle reflector as shown in FIG. 1 where the bottom elevational view is a mirror image of FIG. 5.

1 Claim, 1 Drawing Sheet



(56)

References Cited

OTHER PUBLICATIONS

Colourful Owl Wind Spinner Garden & Patio, posted at Ebay, Dec. 23, 2013, "merlinscave2013", [online], [site visited Dec. 23, 2013]. Available from Internet, <URL: http://www.ebay.co.uk/itm/Colourful-Owl-Wind-Spinner-Windmill-Garden-Patio-Garden-Ornaments-/261328131297?pt=UK_HomeGarden_Garden_GardenOrnaments_JN&hash=item3cd85ed4e1>.*
Windmill Jumbo Flower Multi- Coloured Garden Win, posted at Ebay, Sep. 27, 2013, "emilys_fancydress_international", [online],

[site visited Dec. 23, 2013]. Available from Internet, <URL: http://www.ebay.co.uk/itm/WINDMILL-JUMBO-FLOWER-MULTI-COLOURED-GARDEN-WINDMILL/280528088447?pt=UK_HomeGarden_Garden_GardenOrnaments_JN&hash=item4150c6ed7f>.*

Iridescent Bird Wind Spinner Garden & Patio, posted at Ebay, Dec. 23, 2013, "merlinscave2013", [online], [site visited Dec. 23, 2013]. Available from Internet, <URL: http://www.ebay.co.uk/itm/Iridescent-Bird-Wind-Spinner-Garden-Patio-Garden-Ornaments-/261335707272?pt=UK_HomeGarden_Garden_GardenOrnaments_JN&hash=item3cd8d26e88>.*

* cited by examiner

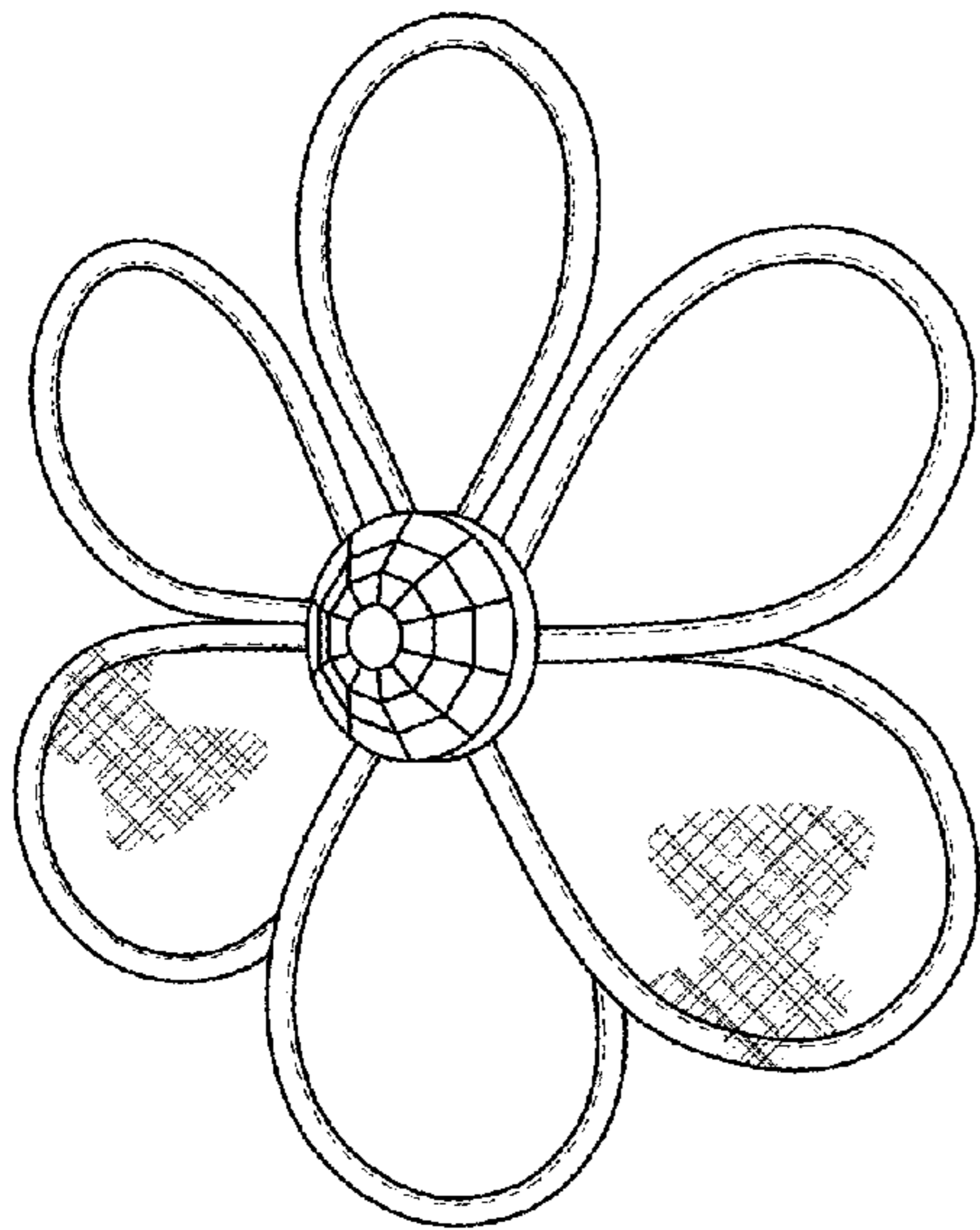


FIG. 1

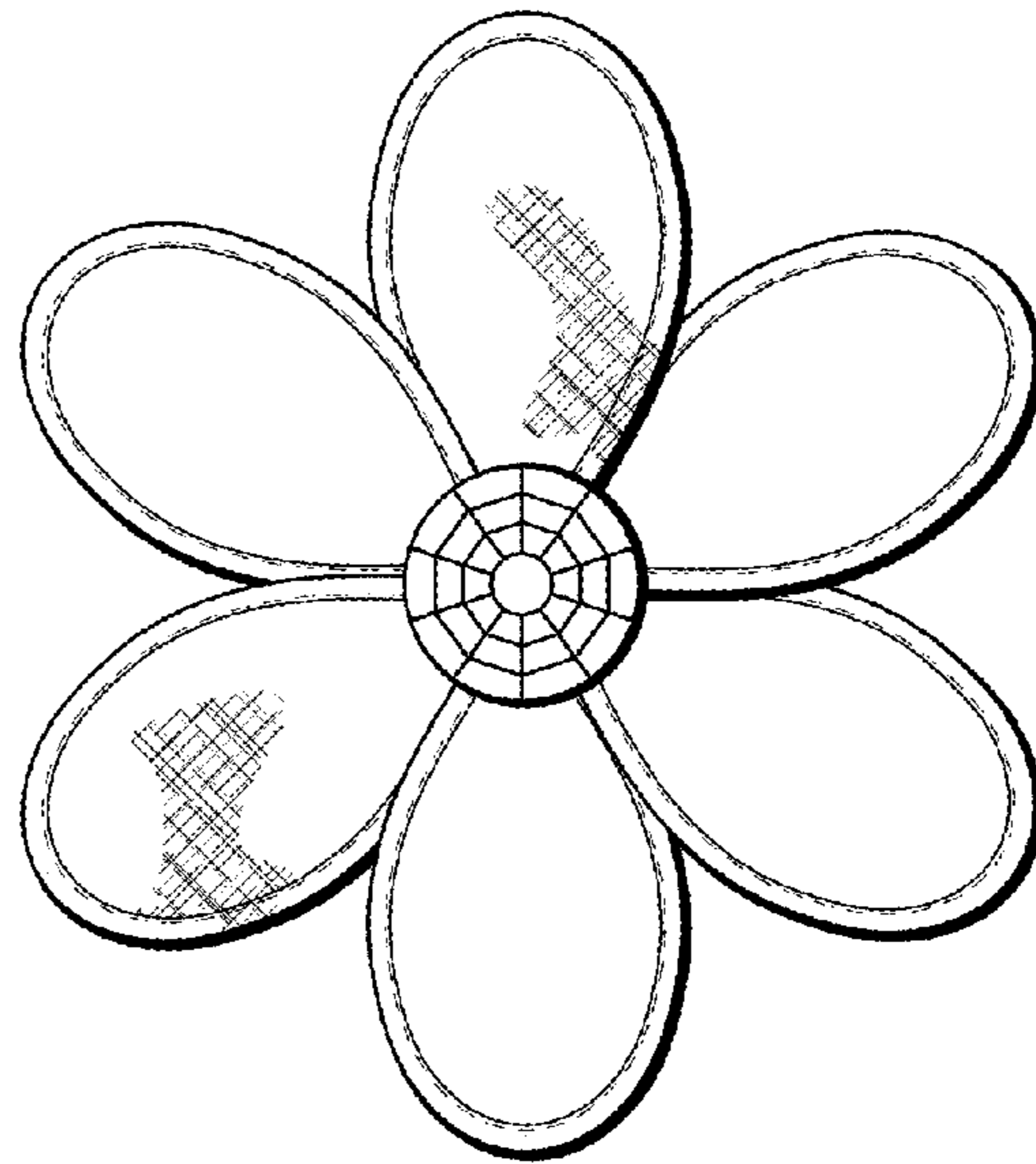


FIG. 2

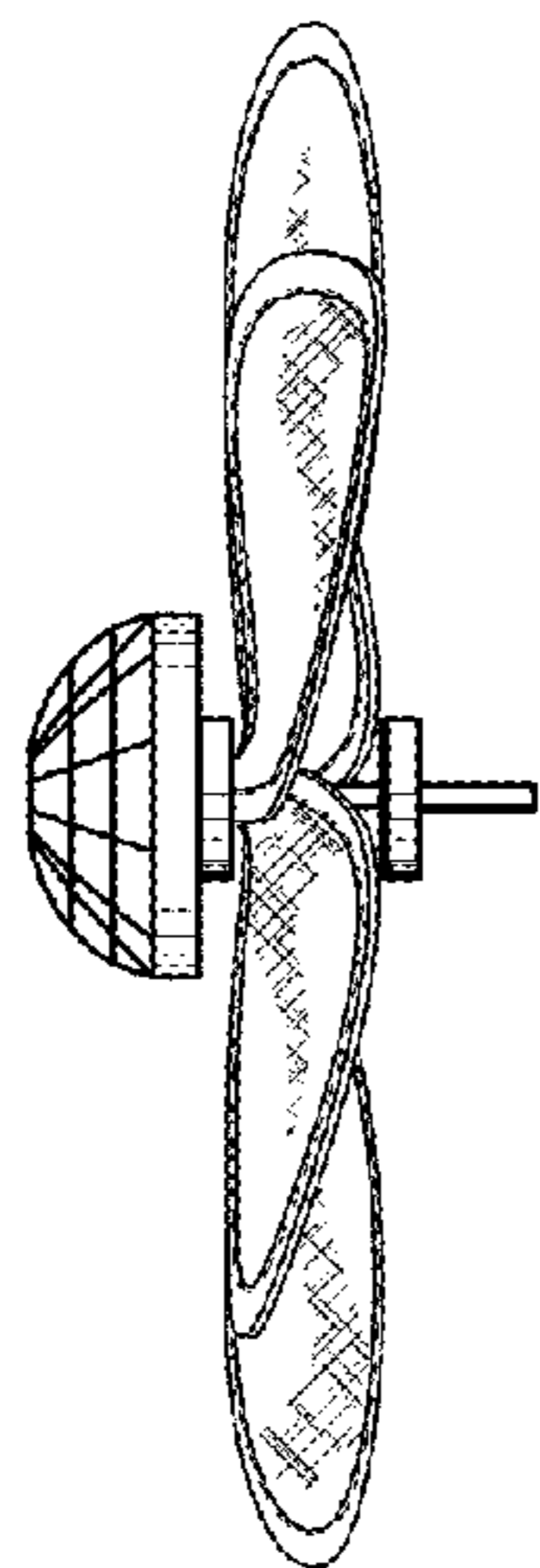


FIG. 4

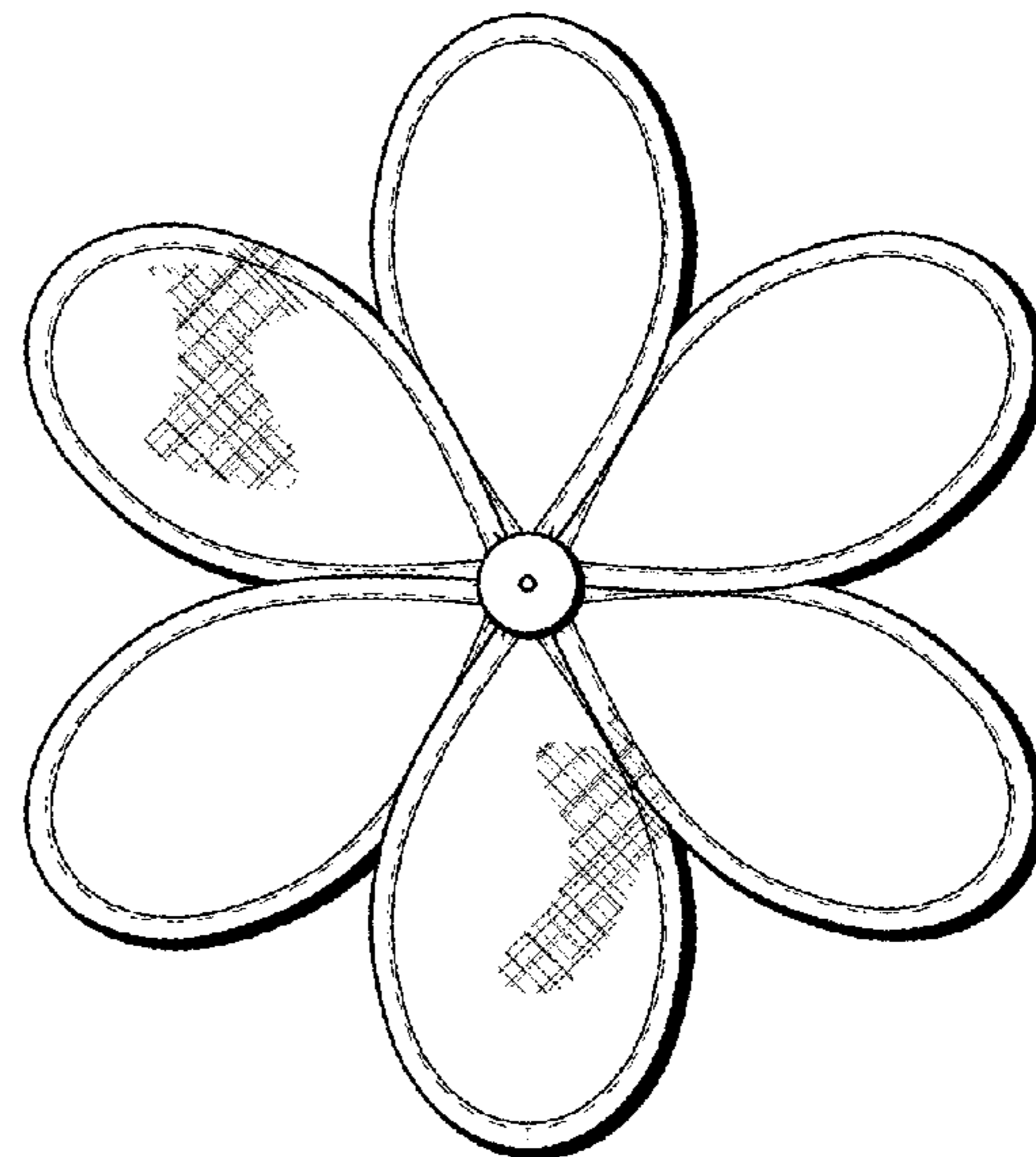


FIG. 3

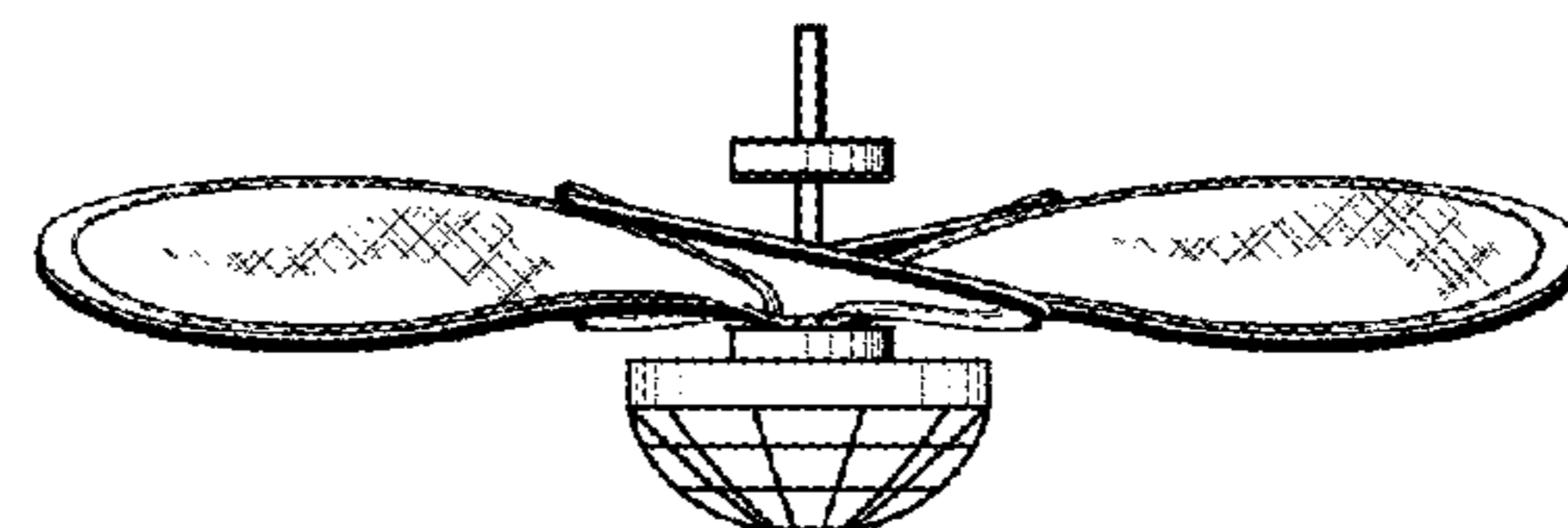


FIG. 5