



US00D706175S

(12) **United States Design Patent**
Graham, II

(10) **Patent No.:** **US D706,175 S**
(45) **Date of Patent:** **** Jun. 3, 2014**

- (54) **SECONDARY CONTAINMENT PLATFORM**
- (71) Applicant: **David R. Graham, II**, Grand Junction, CO (US)
- (72) Inventor: **David R. Graham, II**, Grand Junction, CO (US)
- (**) Term: **14 Years**
- (21) Appl. No.: **29/434,873**
- (22) Filed: **Oct. 17, 2012**
- (51) **LOC (10) Cl.** **12-10**
- (52) **U.S. Cl.**
USPC **D12/101**
- (58) **Field of Classification Search**
USPC D12/106, 19, 129, 100-105, 111-112;
D21/425, 435; D34/21-26, 12, 16-19;
280/204, 205, 63, 475, 482, 647;
296/168, 180, 180.02, 61, 10,
296/100.01-100.08
See application file for complete search history.

- 5,660,446 A * 8/1997 Weatherly 298/8 R
- D385,891 S 11/1997 Williams
- 6,058,832 A 5/2000 Fountain
- 6,152,672 A 11/2000 Alson
- 6,206,476 B1 * 3/2001 Welton 298/1 B
- 6,296,028 B1 10/2001 Oakland
- 6,309,169 B1 10/2001 Carlile
- 6,634,848 B2 * 10/2003 Henderson 414/537
- 7,128,330 B2 10/2006 Krauss
- 7,240,681 B2 7/2007 Saik

(Continued)

Primary Examiner — Katrina A Betton

(74) *Attorney, Agent, or Firm* — James M. Weatherly;
Cochran Freund & Young LLC

(57) **CLAIM**

The ornamental design for a secondary containment platform, as shown and described.

DESCRIPTION

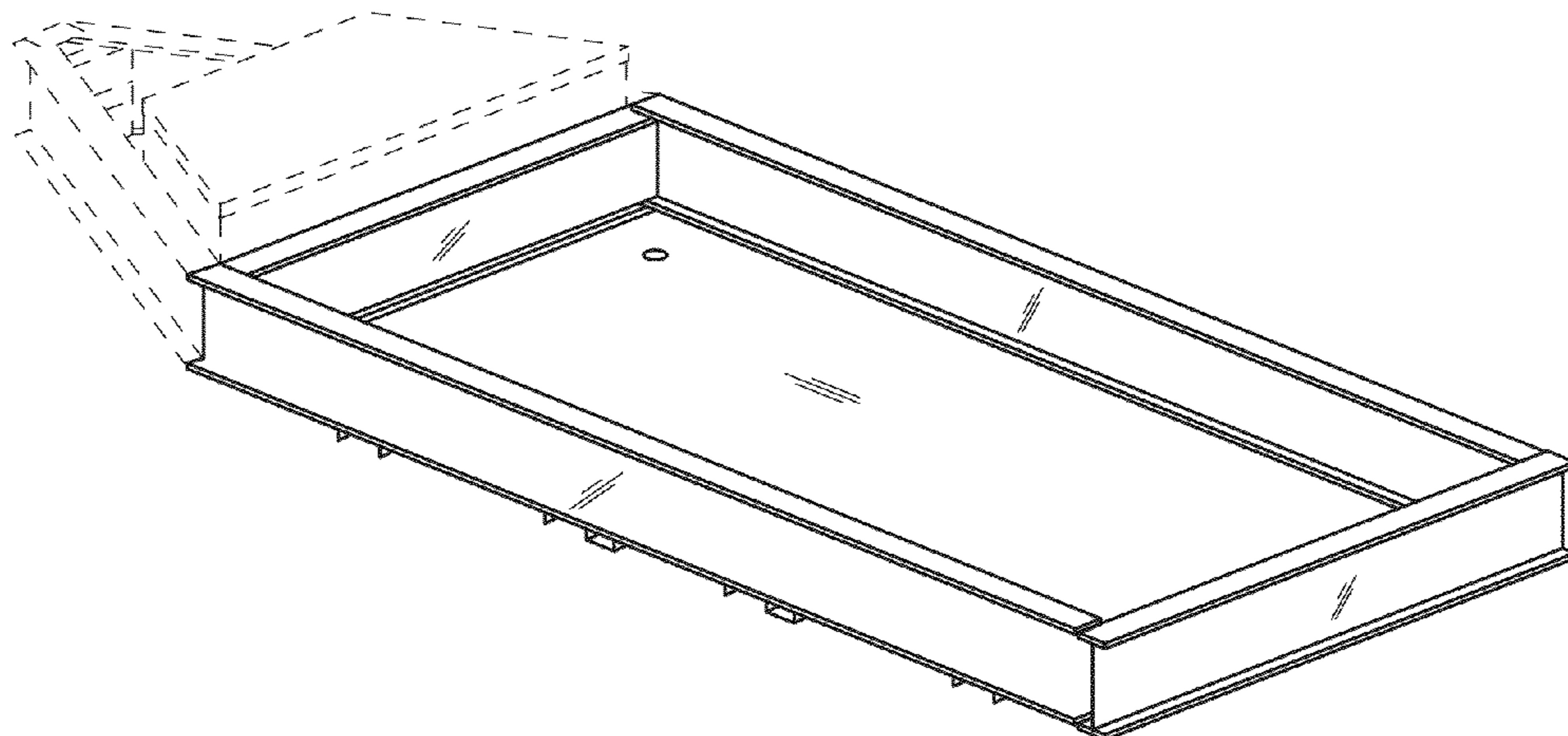
FIG. 1 depicts a top perspective view of a secondary containment platform configured with a trailer on wheels.
 FIG. 2 depicts a top perspective view of the secondary containment platform of FIG. 1.
 FIG. 3 depicts a bottom perspective view of the secondary containment platform of FIG. 1.
 FIG. 4 depicts a top plan view of the secondary containment platform of FIG. 1.
 FIG. 5 depicts a bottom plan view of the secondary containment platform of FIG. 1.
 FIG. 6 depicts a right side elevation view of the secondary containment platform of FIG. 1.
 FIG. 7 depicts a left side elevation view of the secondary containment platform of FIG. 1.
 FIG. 8 depicts a front elevation view of the secondary containment platform of FIG. 1; and,
 FIG. 9 depicts a rear elevation view of the secondary containment platform of FIG. 1.
 The broken lines in the drawings illustrate environmental structure on the article and form no part of the claimed design.

1 Claim, 9 Drawing Sheets

(56) **References Cited**

U.S. PATENT DOCUMENTS

- 1,627,336 A * 5/1927 Nelson 296/183.2
- 4,054,301 A 10/1977 Bond et al.
- 4,082,672 A 4/1978 Petroski
- 4,144,979 A * 3/1979 Leach et al. 414/537
- 4,188,058 A 2/1980 Resa et al.
- 4,394,877 A 7/1983 Whyte
- 4,489,665 A 12/1984 Ayers
- 4,705,446 A * 11/1987 Miller 414/422
- 4,723,969 A 2/1988 DeMarco
- 4,724,875 A 2/1988 Baldwin et al.
- 4,824,285 A 4/1989 Trierweiler
- 5,002,325 A 3/1991 Fought et al.
- 5,255,664 A 10/1993 Gurliacci
- 5,271,657 A 12/1993 Lockett
- 5,460,431 A * 10/1995 McWilliams 298/22 AE
- 5,507,122 A 4/1996 Aulson
- H1587 H 9/1996 VanValkenburgh et al.
- 5,626,468 A 5/1997 Muir et al.



(56)

References Cited

U.S. PATENT DOCUMENTS

7,300,073	B2	11/2007	Bachman						
7,406,974	B2 *	8/2008	Jenkins	134/201	8,079,377	B2 *	12/2011	Jenkins	134/201
7,537,259	B2	5/2009	Hannigan		2002/0098071	A1 *	7/2002	Henderson	414/537
7,703,208	B2 *	4/2010	McNulty et al.	29/897.2	2004/0031507	A1	2/2004	Ross et al.	
8,002,331	B2 *	8/2011	Bowers	296/183.2	2004/0155126	A1 *	8/2004	Jenkins	241/24.11
8,020,569	B2	9/2011	Leonardich et al.		2005/0145624	A1	7/2005	Minegar	
					2006/0260331	A1	11/2006	Andreychuk	
					2010/0031977	A1	2/2010	Sales	
					2010/0101460	A1	4/2010	Kelly et al.	
					2010/0175408	A1	7/2010	Korda	

* cited by examiner

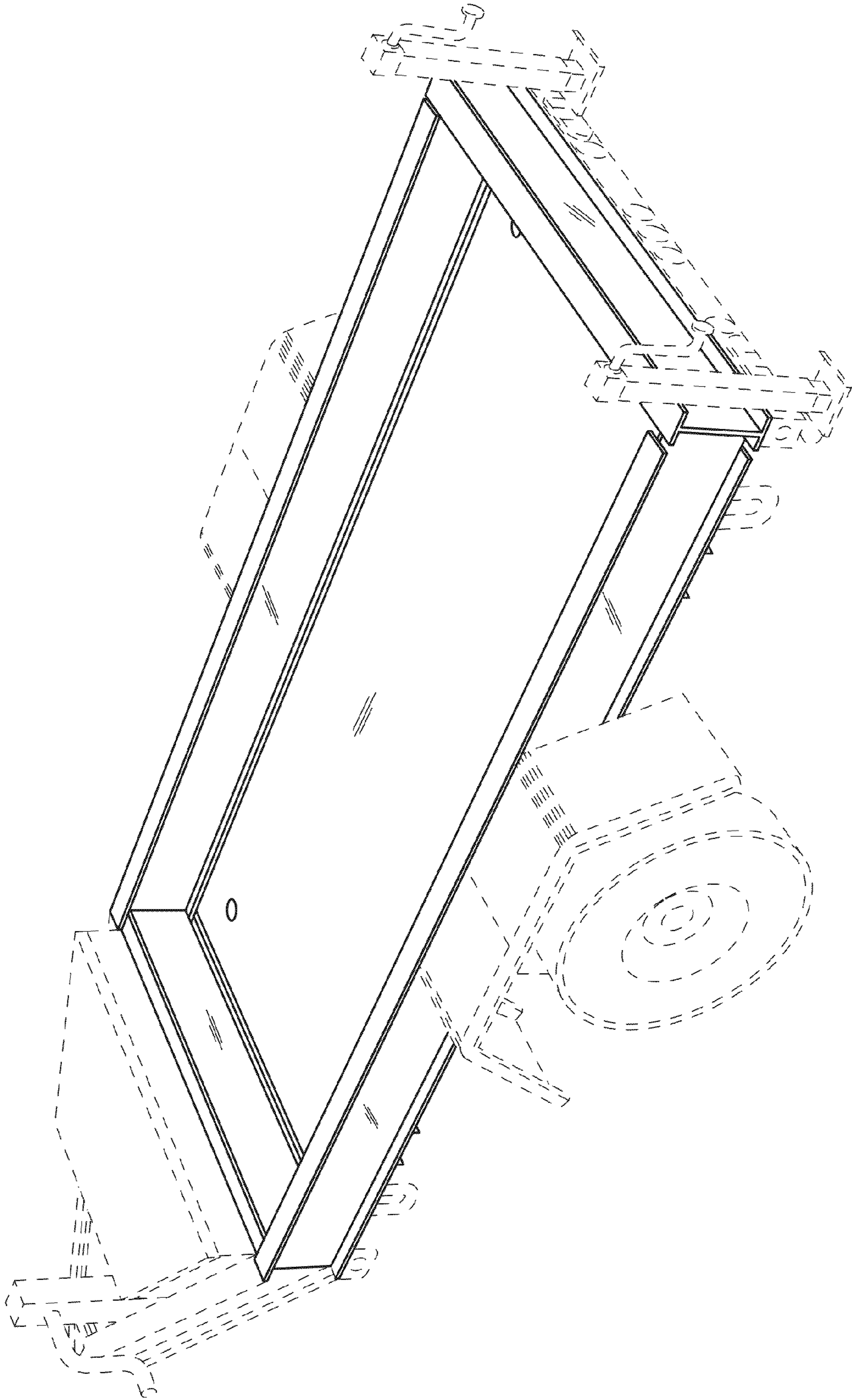


Figure 1

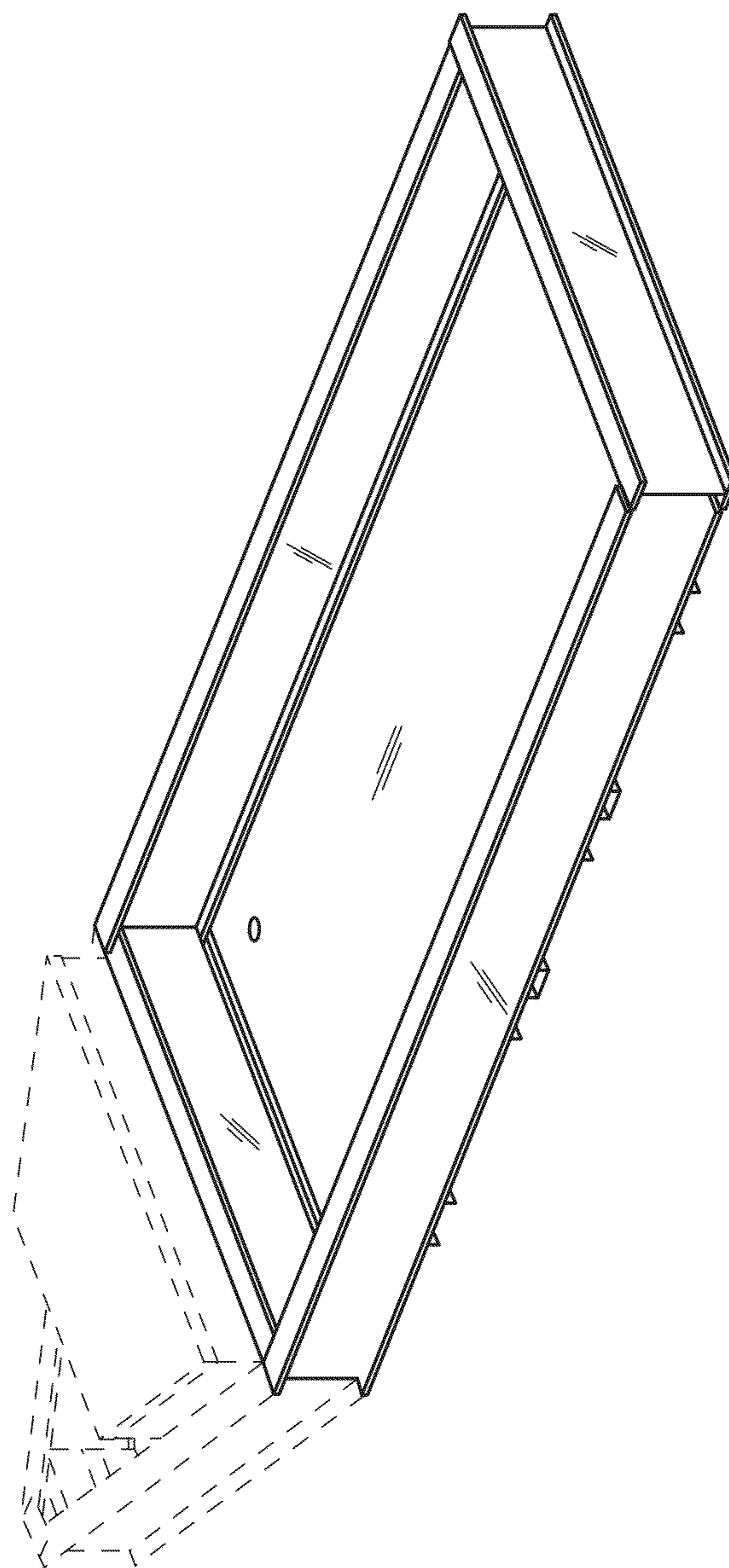


Figure 2

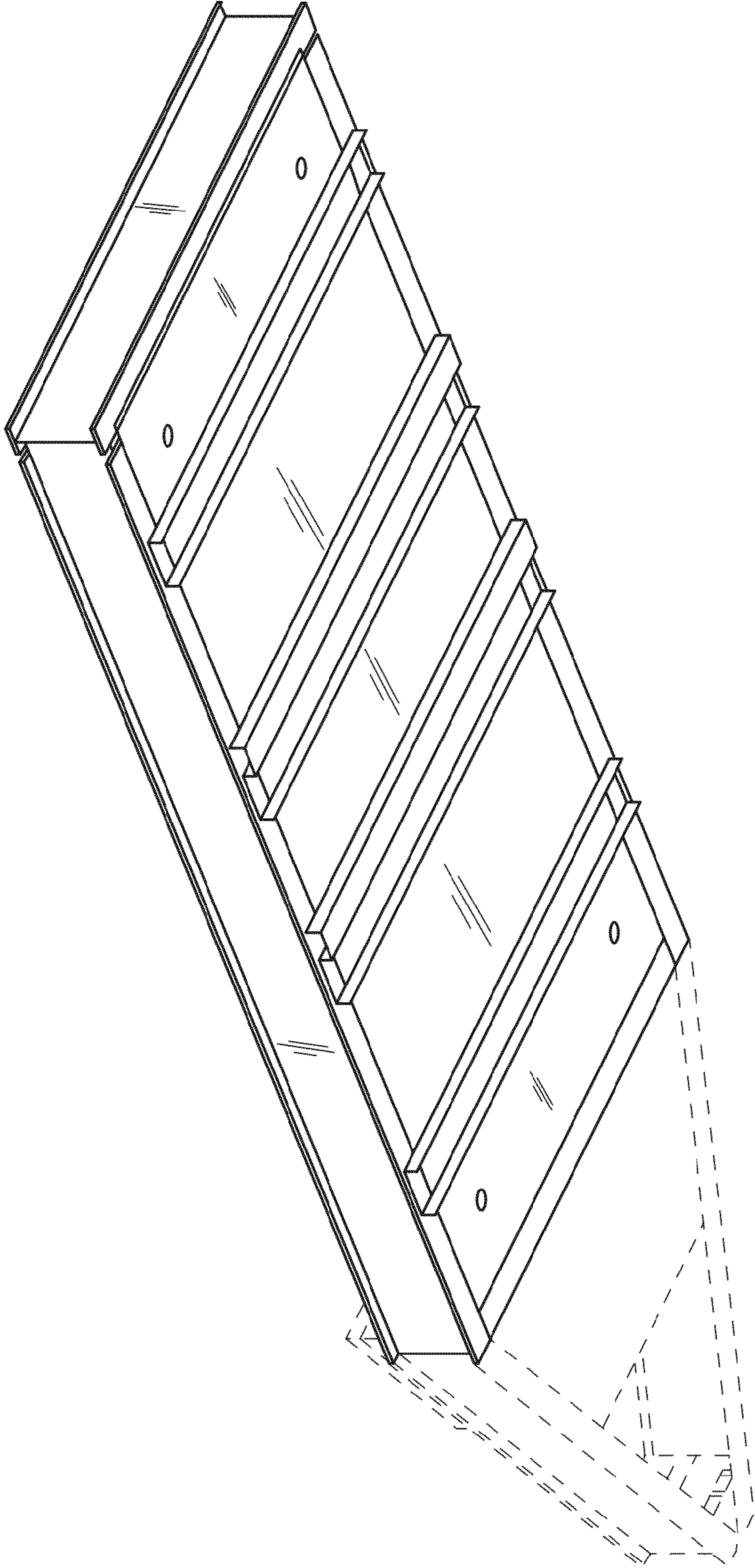


Figure 3

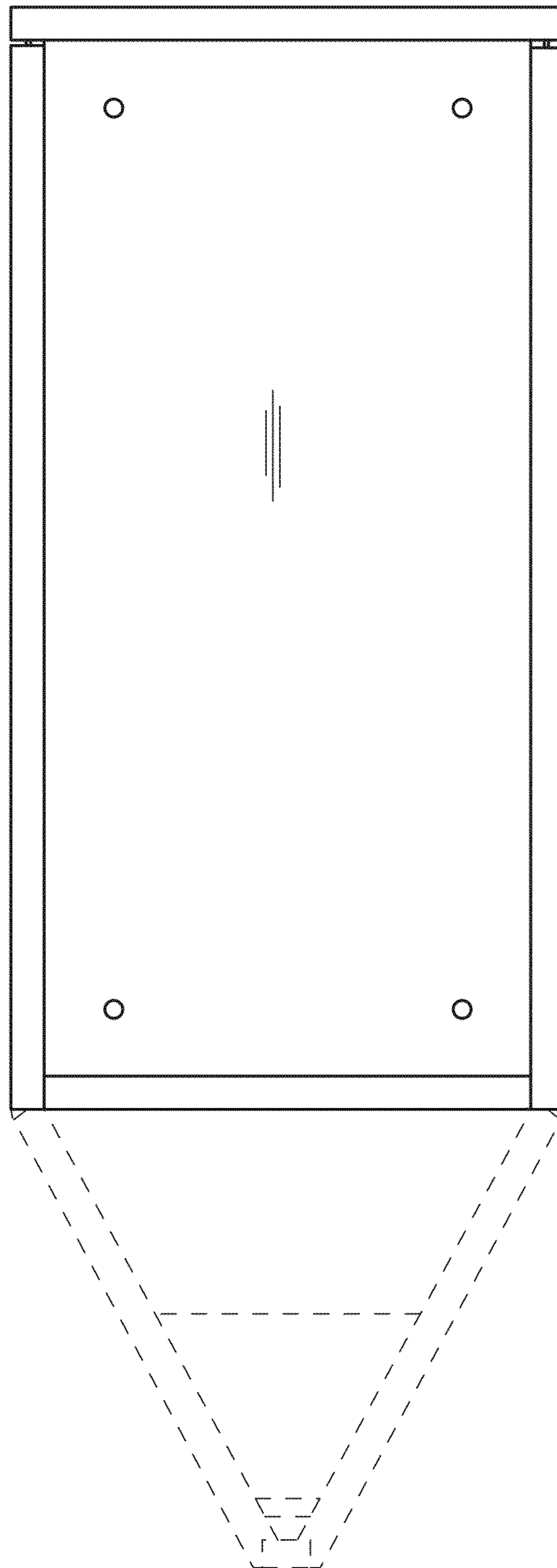


Figure 4

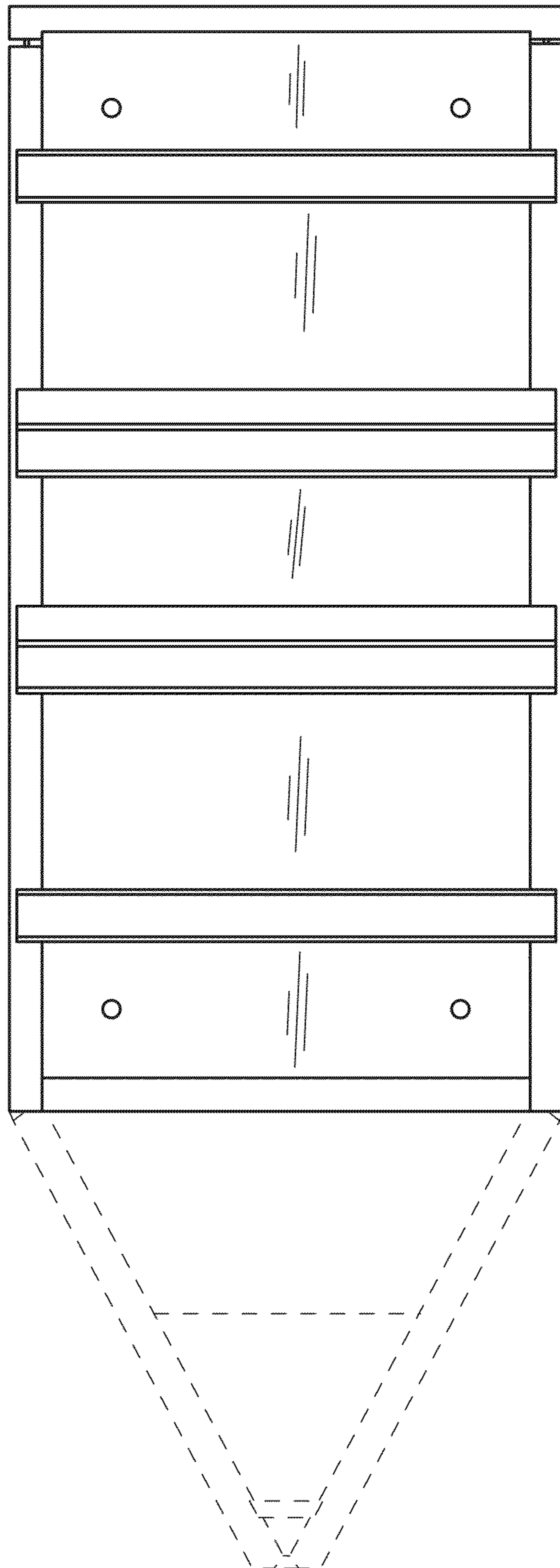


Figure 5

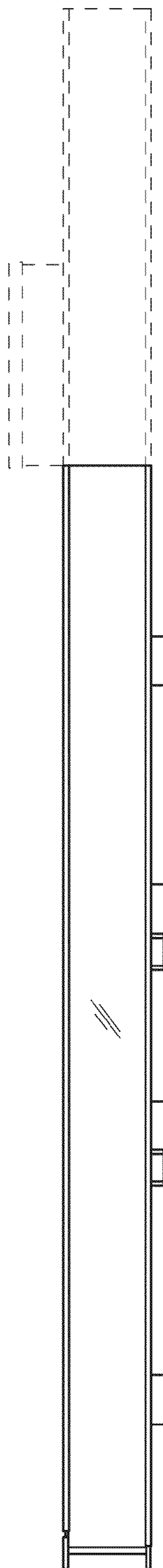


Figure 6

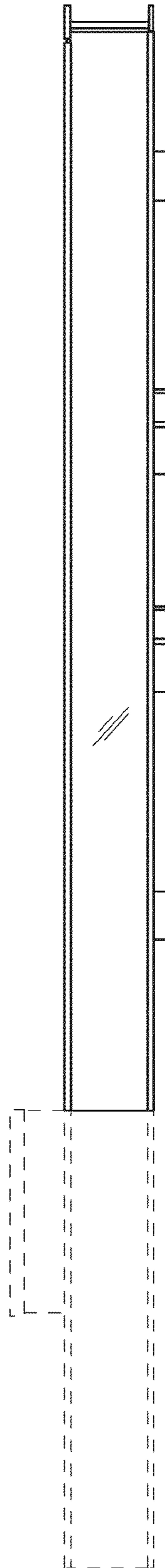


Figure 7

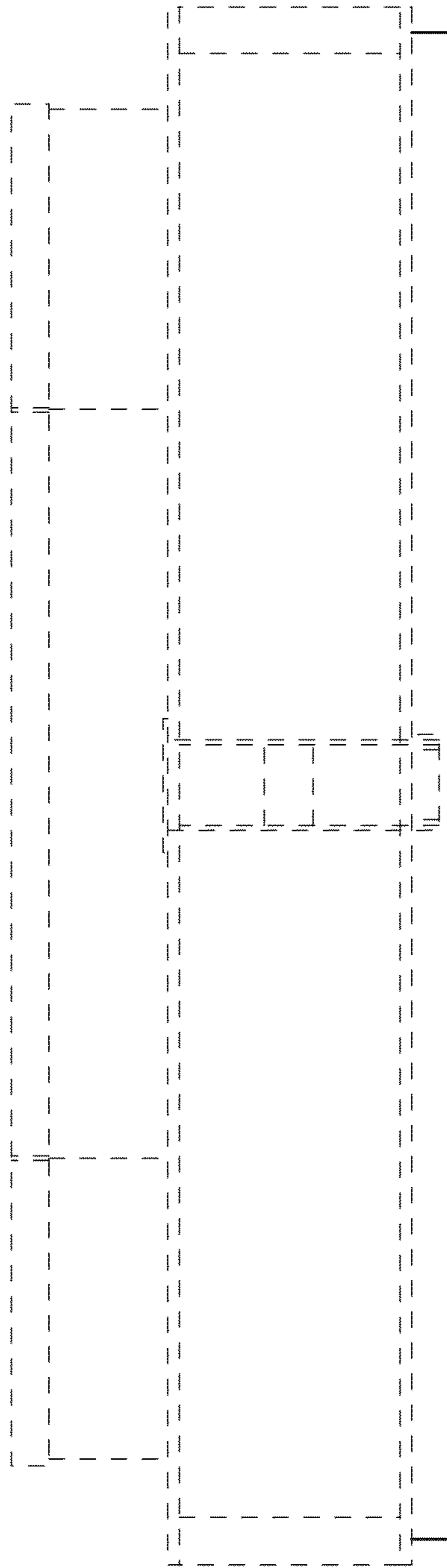


Figure 8

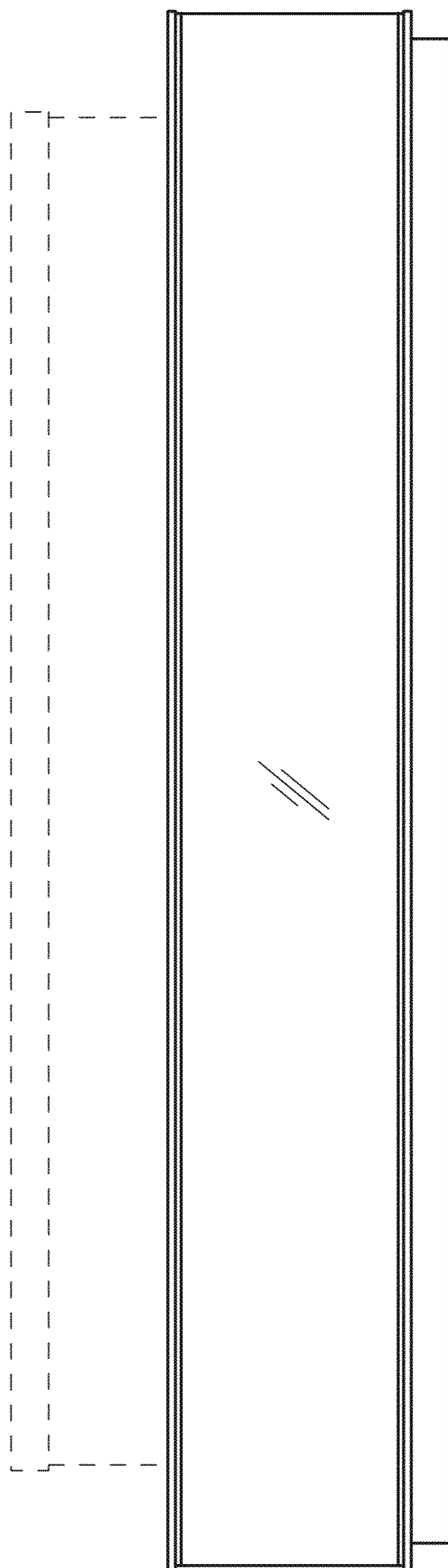


Figure 9