



US00D706168S

(12) **United States Design Patent**
Metzger

(10) **Patent No.:** **US D706,168 S**
(45) **Date of Patent:** **** Jun. 3, 2014**

(54) **COMBINATION WAGON AND SLEIGH**

(71) Applicant: **Kenneth L. Metzger**, Harrod, OH (US)

(72) Inventor: **Kenneth L. Metzger**, Harrod, OH (US)

(**) Term: **14 Years**

(21) Appl. No.: **29/448,330**

(22) Filed: **Mar. 12, 2013**

(51) **LOC (10) Cl.** **12-14**

(52) **U.S. Cl.**
USPC **D12/6**

(58) **Field of Classification Search**
USPC D12/5-11, 1, 101; D21/302, 425, 483,
D21/767, 811, 828, 830, 831, 832, 814;
280/28, 8, 16, 26, 19, 18, 20, 444, 9
See application file for complete search history.

(56) **References Cited**

U.S. PATENT DOCUMENTS

1,646,790	A *	10/1927	Hornquist	280/23.1
1,714,093	A *	5/1929	Kier et al.	280/1
1,721,159	A *	7/1929	Maneval	280/1
4,159,119	A	6/1979	Smith		
4,291,891	A *	9/1981	Blanchette	280/9
6,158,759	A	12/2000	Perry		
7,108,270	B2	9/2006	Poe		
D539,700	S *	4/2007	Hoskin	D12/6
7,419,167	B1	9/2008	Nguyen		
7,464,943	B1	12/2008	Poggioli et al.		
8,313,112	B1 *	11/2012	Lyon	280/24

OTHER PUBLICATIONS

Little Stuff. Mountain Boy Sledworks Butterfly Wagon. <http://littlekidstuff.com/mountain-boy-sledworks-butterfly-wagon.html>
Accessed Oct. 25, 2012.
Sleigh Index. <http://2kstore.com/smb/sleddex1.htm> Accessed Oct. 25, 2012.

* cited by examiner

Primary Examiner — T. Chase Nelson

Assistant Examiner — Ania Aman

(74) *Attorney, Agent, or Firm* — Robert C. Montgomery;
Montgomery Patent & Design

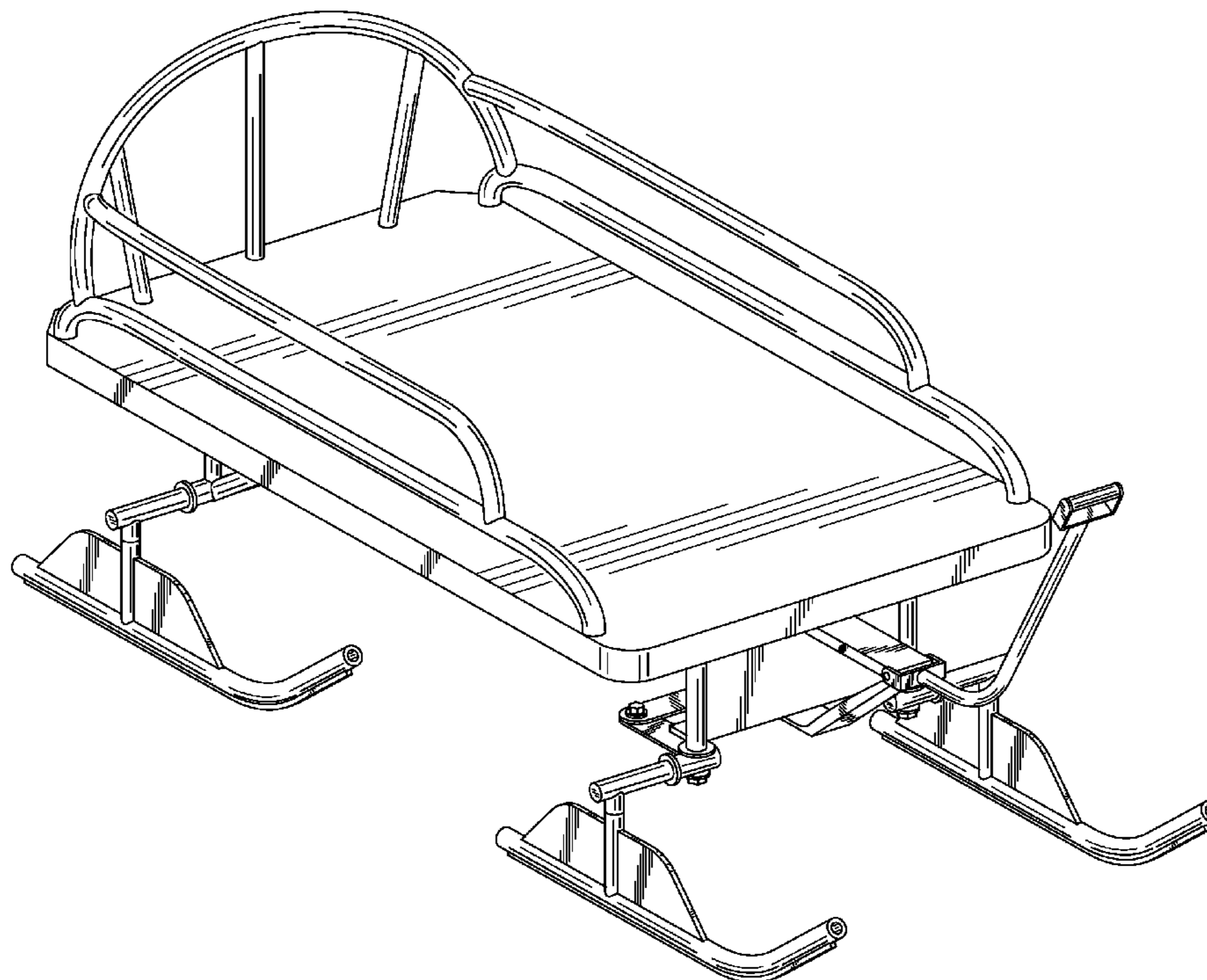
(57) **CLAIM**

The ornamental design for a combination wagon and sleigh, as shown and described.

DESCRIPTION

FIG. 1 is a top front isometric view of a combination wagon and sleigh;
FIG. 2 is a top rear isometric view thereof;
FIG. 3 is a bottom rear isometric view thereof;
FIG. 4 is a front view thereof;
FIG. 5 is a rear view thereof;
FIG. 6 is a left-hand side view thereof, wherein a right-hand side view is a mirror image of the left-hand side view;
FIG. 7 is a top view thereof; and,
FIG. 8 is a bottom view thereof.

1 Claim, 8 Drawing Sheets



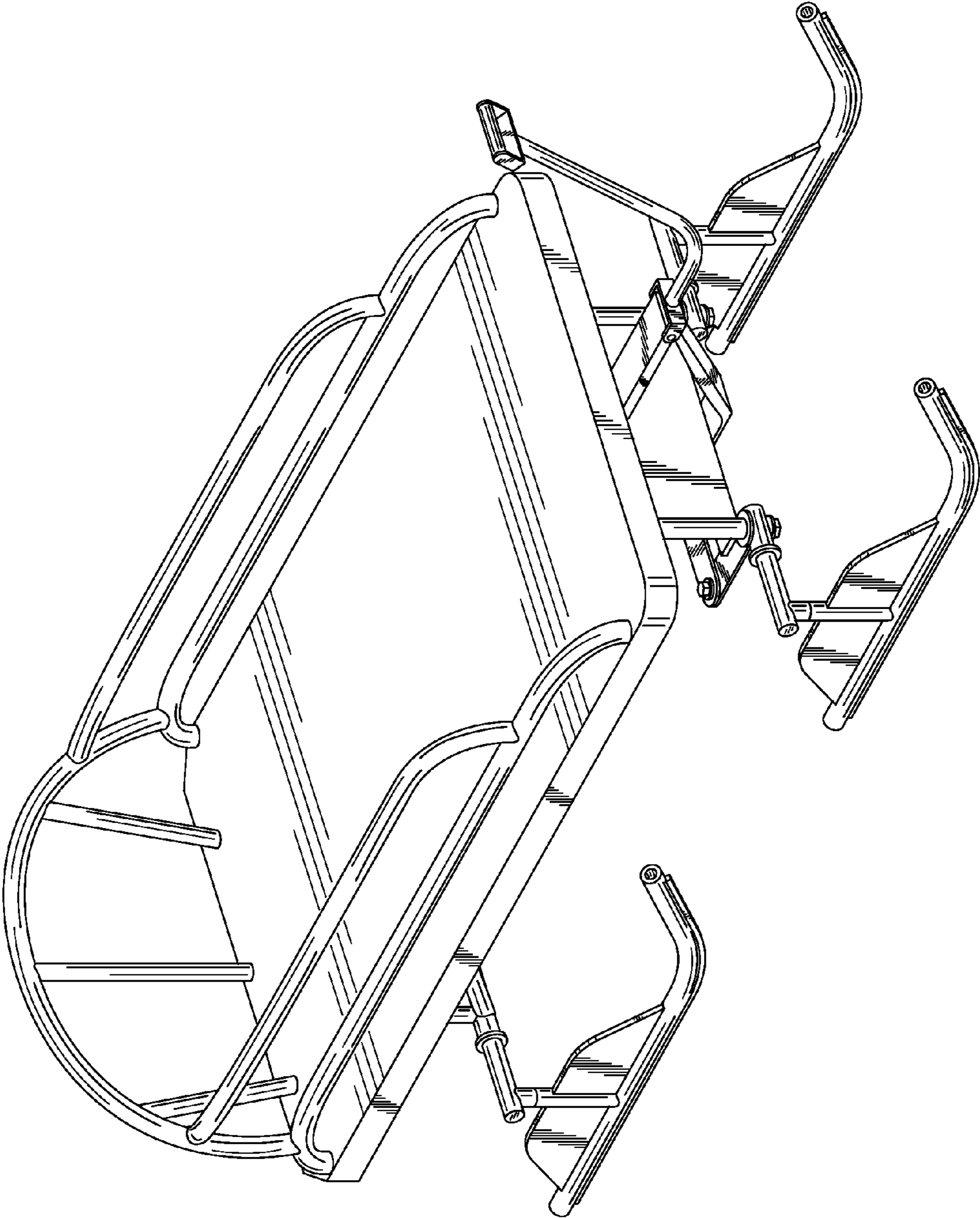


Fig. 1

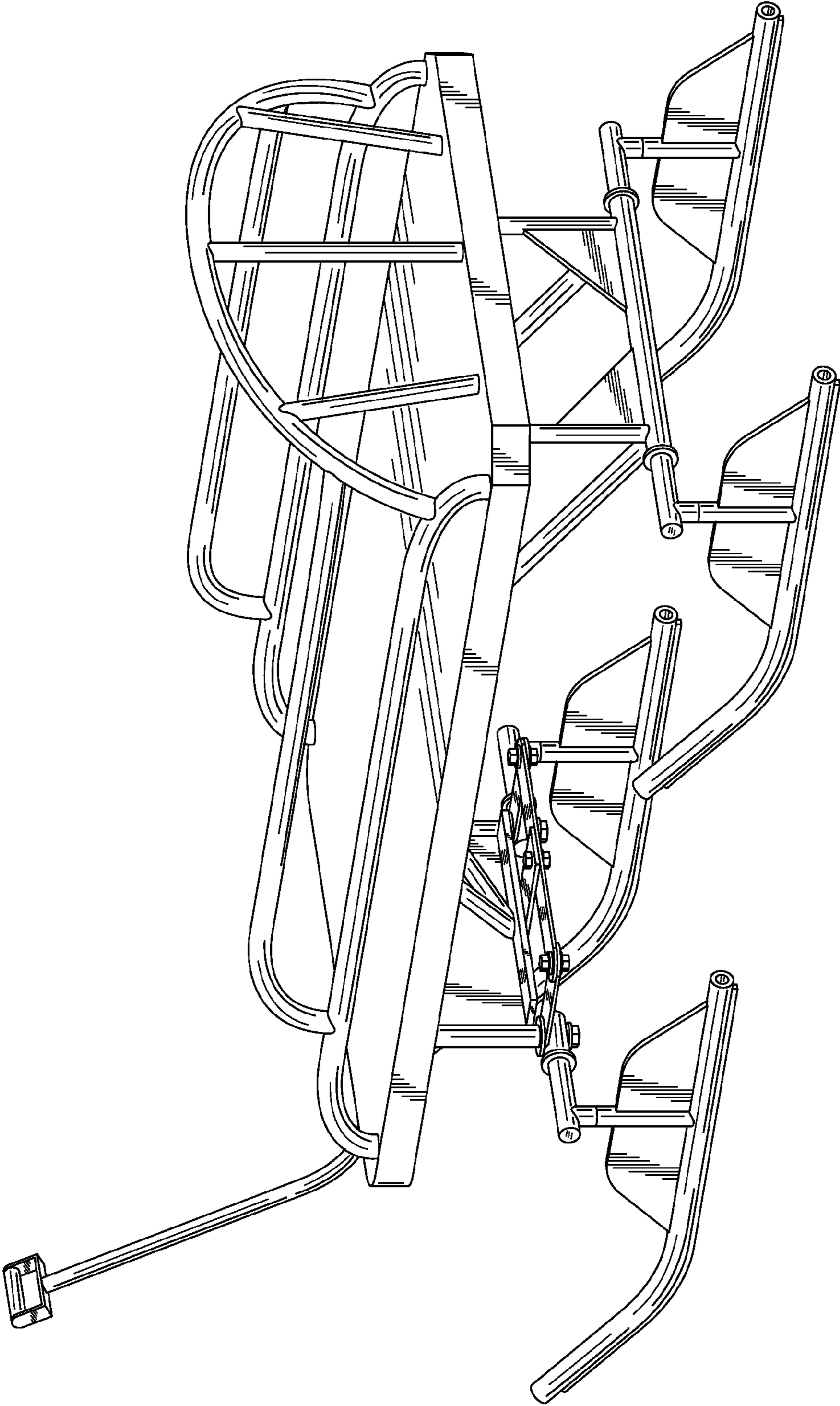


Fig. 2

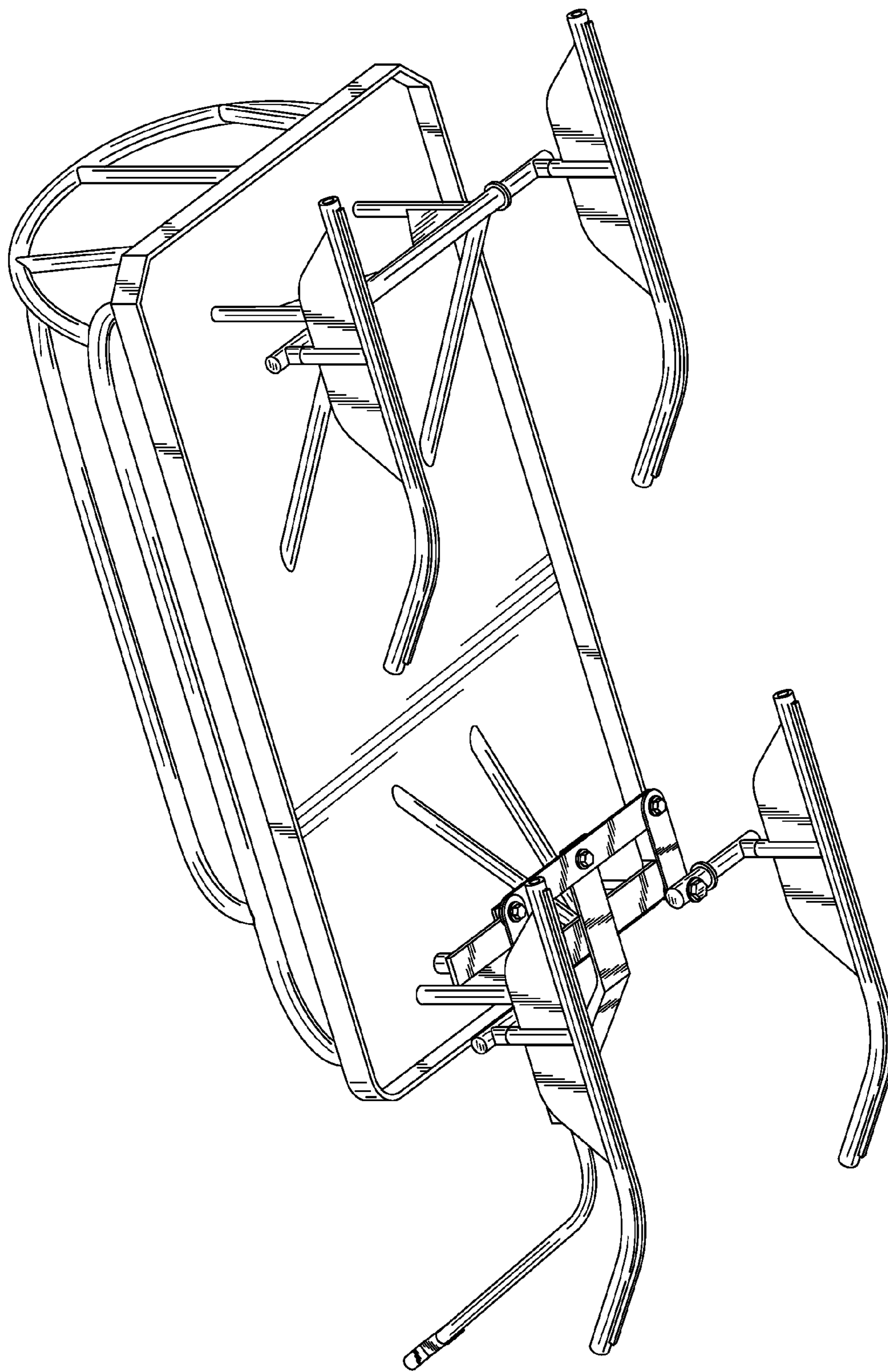


Fig. 3

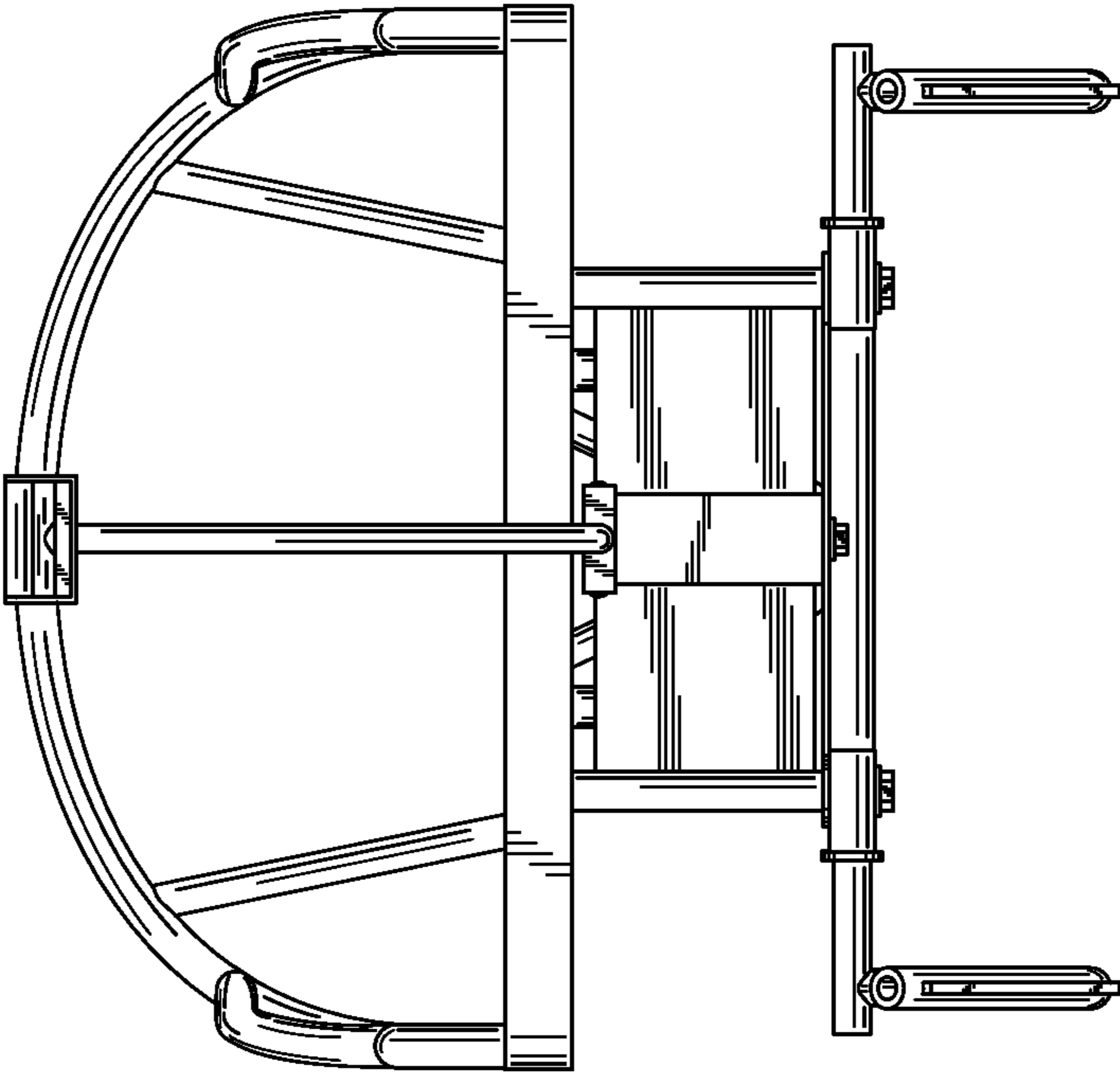


Fig. 4

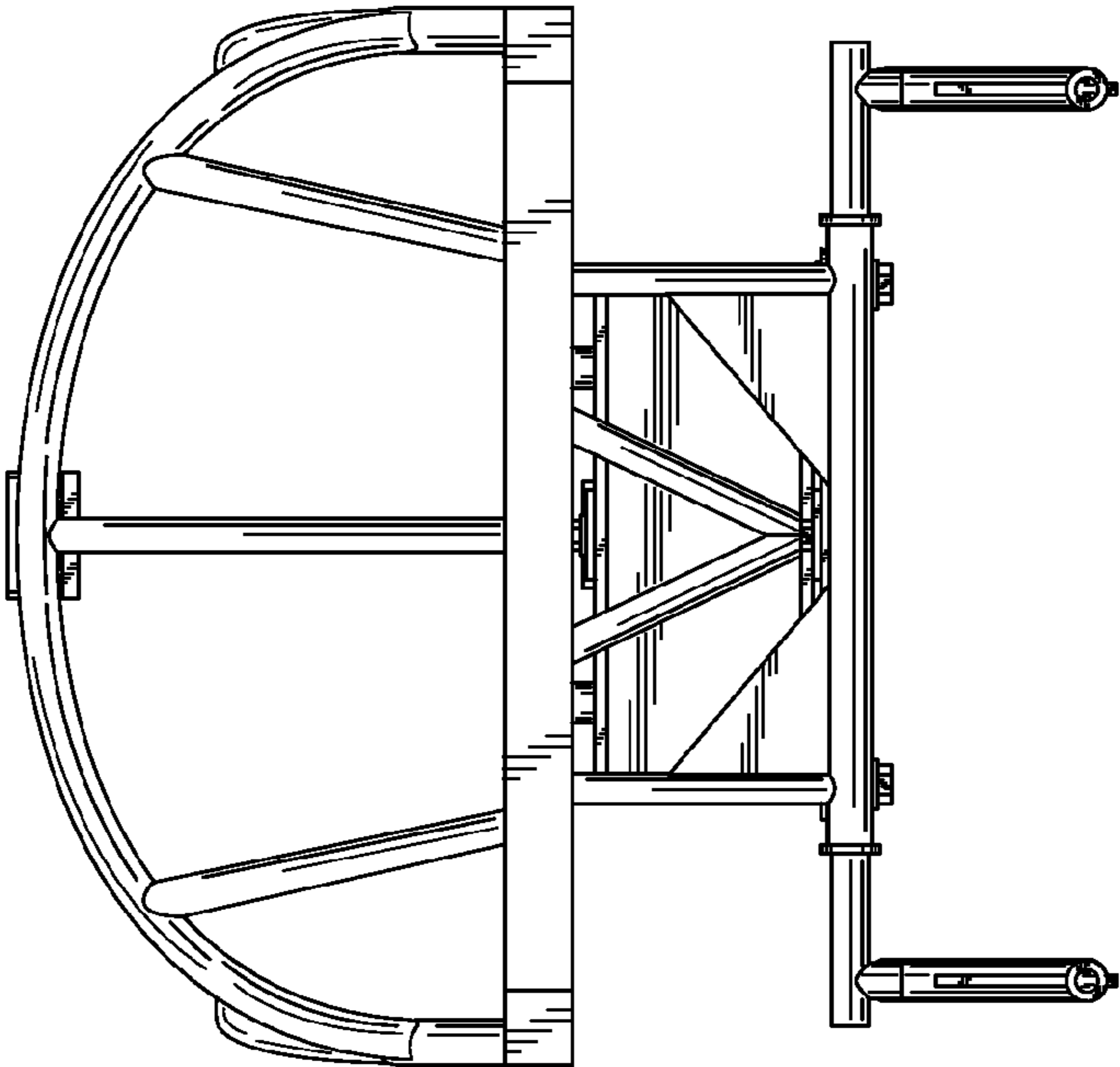


Fig. 5

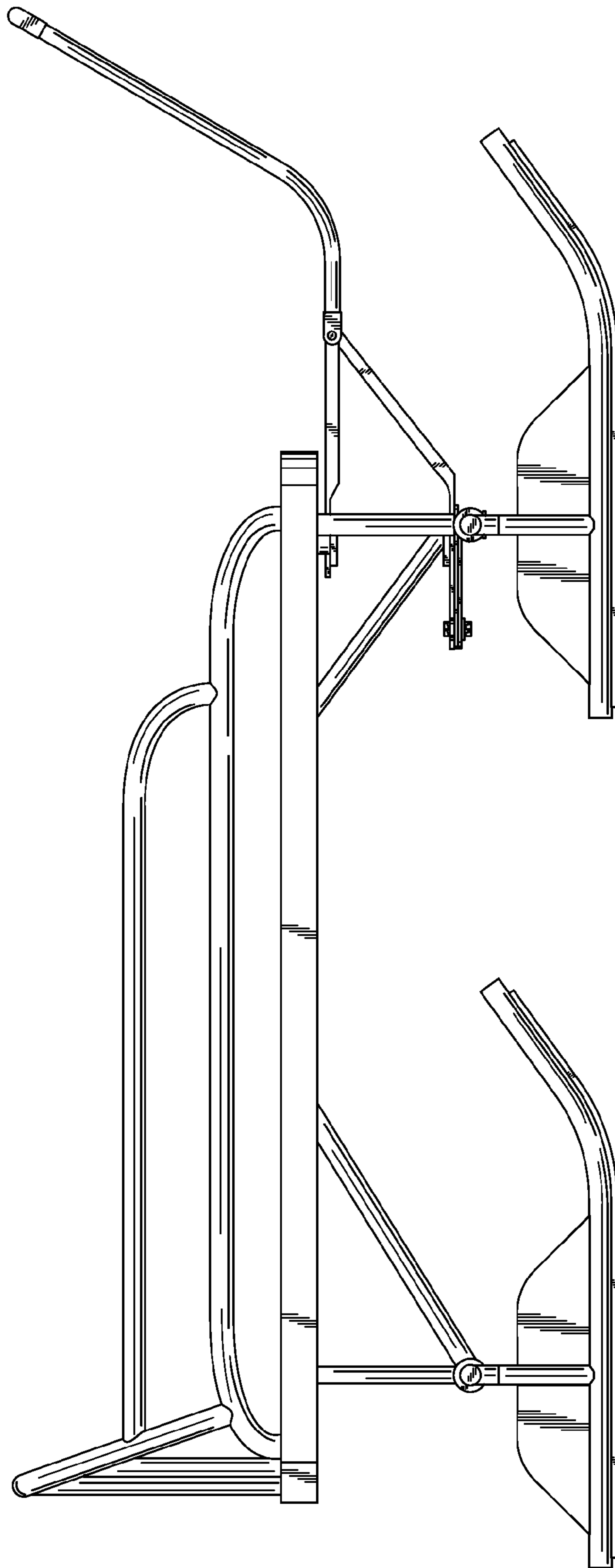


Fig. 6

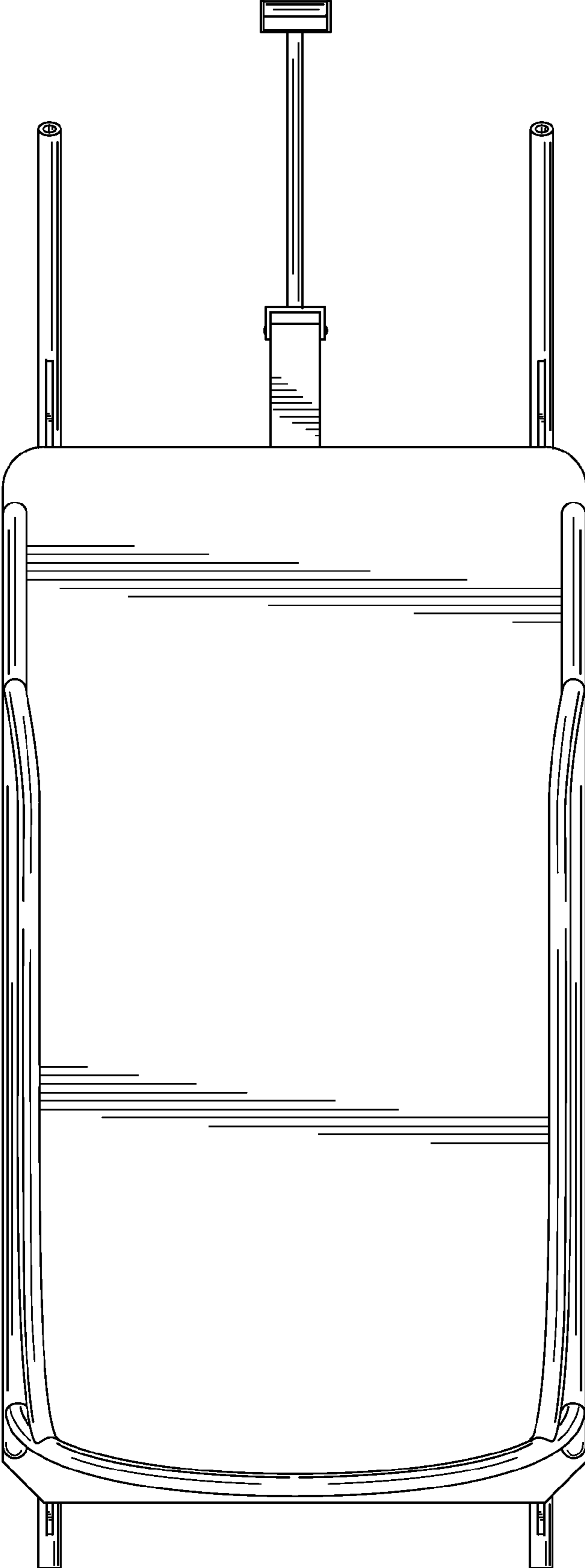


Fig. 7

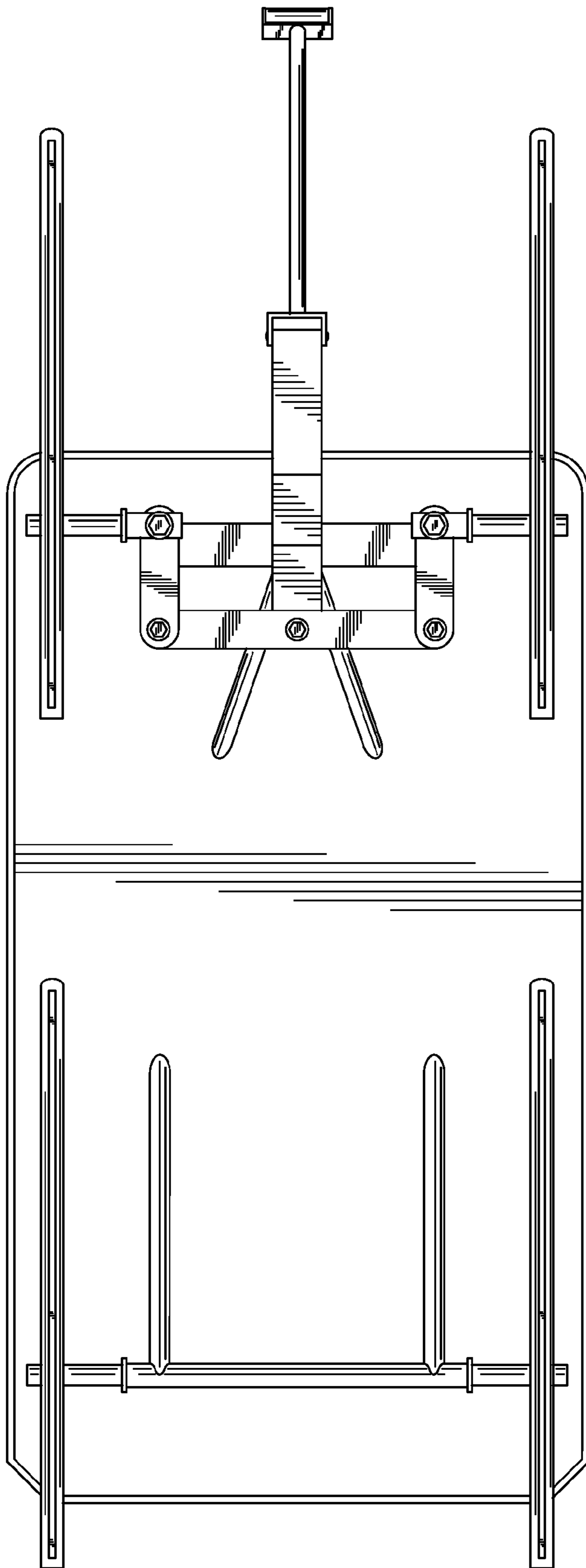


Fig. 8