



US00D706167S

(12) **United States Design Patent**
McIntyre

(10) **Patent No.:** **US D706,167 S**
(45) **Date of Patent:** **** Jun. 3, 2014**

(54) **SET OF COMPONENTS FOR A MAGNETIC BUTTON**

(76) Inventor: **Terry L. McIntyre**, Orangeville, IL (US)

(**) Term: **14 Years**

(21) Appl. No.: **29/429,498**

(22) Filed: **Aug. 13, 2012**

(51) **LOC (10) Cl.** **02-07**

(52) **U.S. Cl.**
USPC **D11/222**

(58) **Field of Classification Search**
USPC D11/220, 222, 226, 218; 24/1, 681, 24/662, 90.5, 18, 683, 108, 674, 671, 94, 24/618, 303; 292/319; D8/382; 600/9; 16/2.1

See application file for complete search history.

(56) **References Cited**

U.S. PATENT DOCUMENTS

2,397,931	A	4/1946	Ellis	
3,328,854	A *	7/1967	Tombari	16/2.1
4,265,002	A *	5/1981	Hosken	24/303
4,455,719	A *	6/1984	Morita	24/303
4,480,361	A *	11/1984	Morita	24/303
D301,567	S *	6/1989	Burke	D11/220
4,991,270	A *	2/1991	Aoki	24/303
D350,501	S *	9/1994	Schriever	D11/220
D360,391	S *	7/1995	Aoki	D11/220
D375,061	S *	10/1996	Morita	D11/220
D400,429	S *	11/1998	Morita	D8/382
D401,889	S *	12/1998	Wong	D11/220
5,974,634	A	11/1999	Eisenpresser	
D425,444	S *	5/2000	Koroki	D11/220
D431,453	S *	10/2000	Chan	D8/382
6,170,131	B1	1/2001	Shin	
D448,703	S	10/2001	Lam	

6,378,174	B1	4/2002	Wong	
D464,562	S *	10/2002	Reiter	D8/382
6,473,946	B1 *	11/2002	Cheng	24/303
6,477,749	B1 *	11/2002	Reiter	24/303
6,632,168	B2 *	10/2003	Roberts et al.	600/9
7,065,841	B2	6/2006	Sjoquist	
7,409,730	B2	8/2008	Boos	
8,495,803	B2 *	7/2013	Fiedler	24/303

OTHER PUBLICATIONS

10 Sets Bronze Bag Clothes Magnetic Clasp Button 0.7", 1TopStore.com. http://www.1topstore.com/en_usd/10-setsbronze-bag-clothes-magnetic-clasp-buttons-07-hot-p14701.html.
³/₄" Sew On Magnetic Button-Nickel Plated 2/Pkg. Buy.com. <http://www.buy.com/pr/product.aspx?sku=222080321&sellerid=28739661>.

* cited by examiner

Primary Examiner — T. Chase Nelson
Assistant Examiner — Mark Cavanna
(74) *Attorney, Agent, or Firm* — Robert C. Montgomery; Montgomery Patent & Design

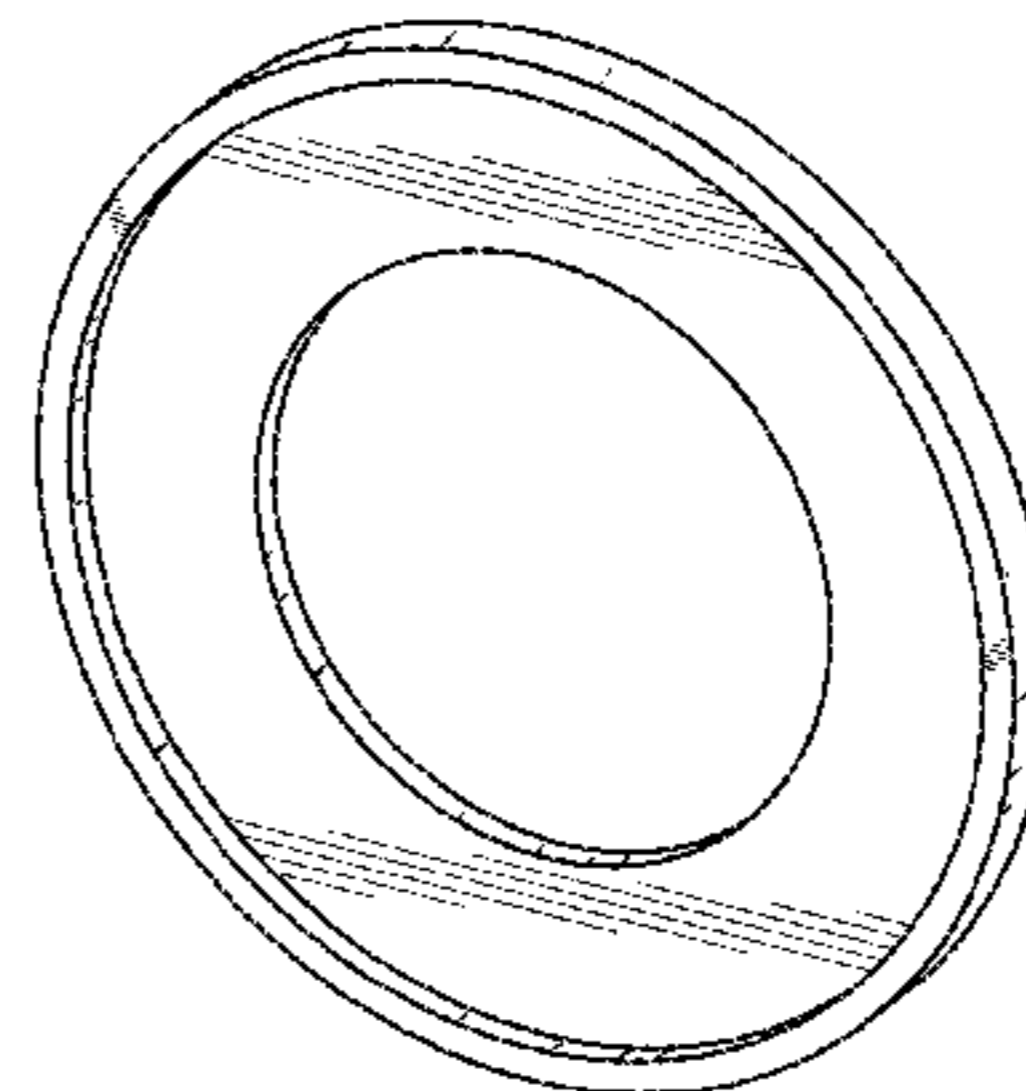
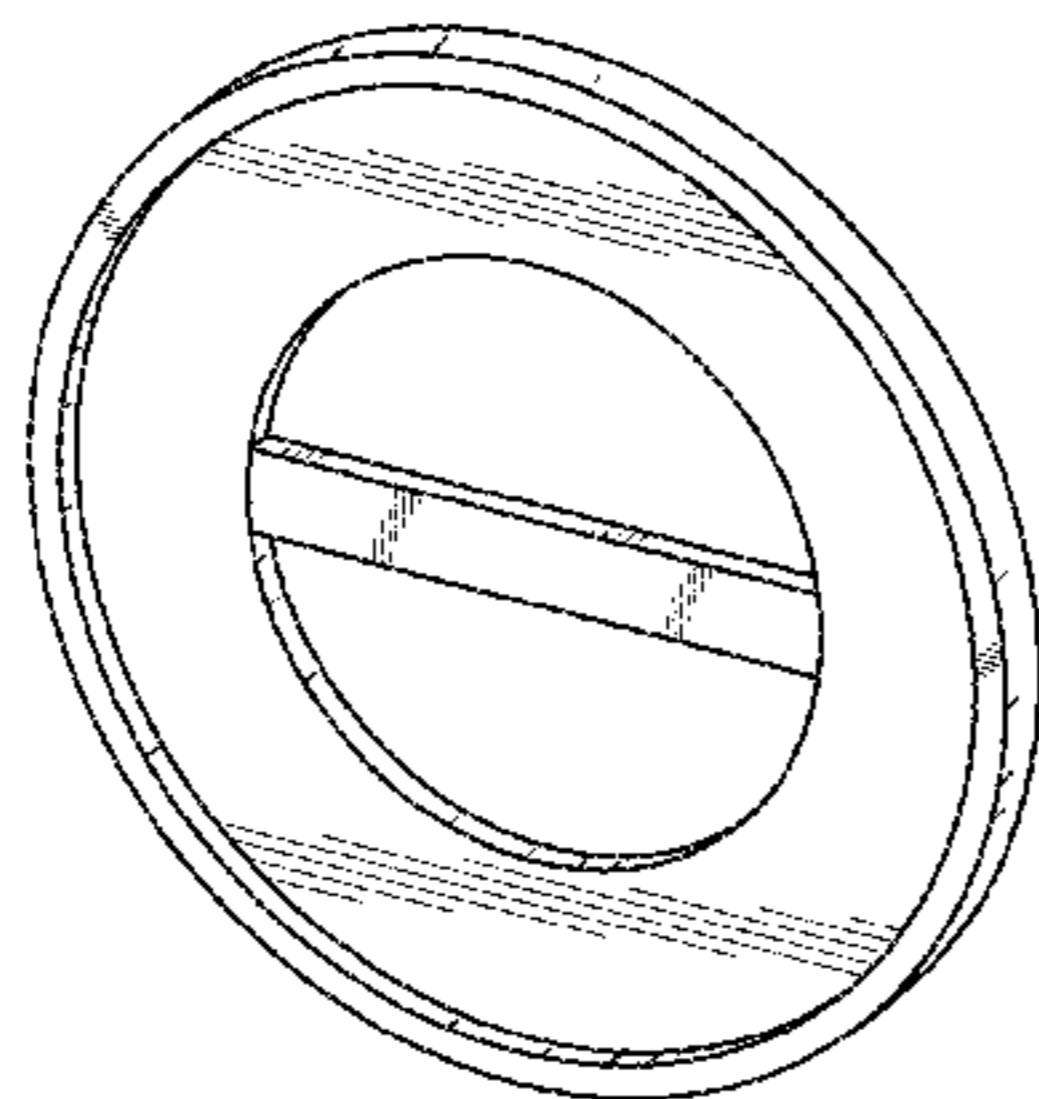
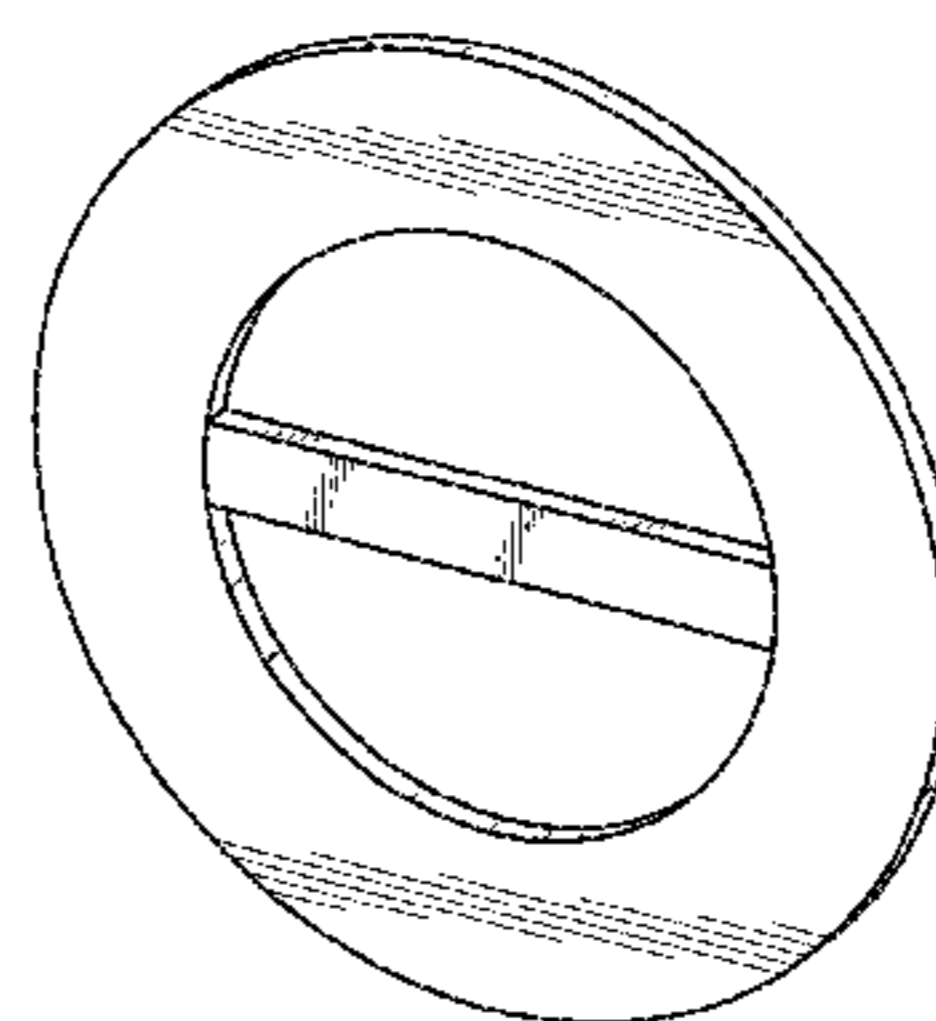
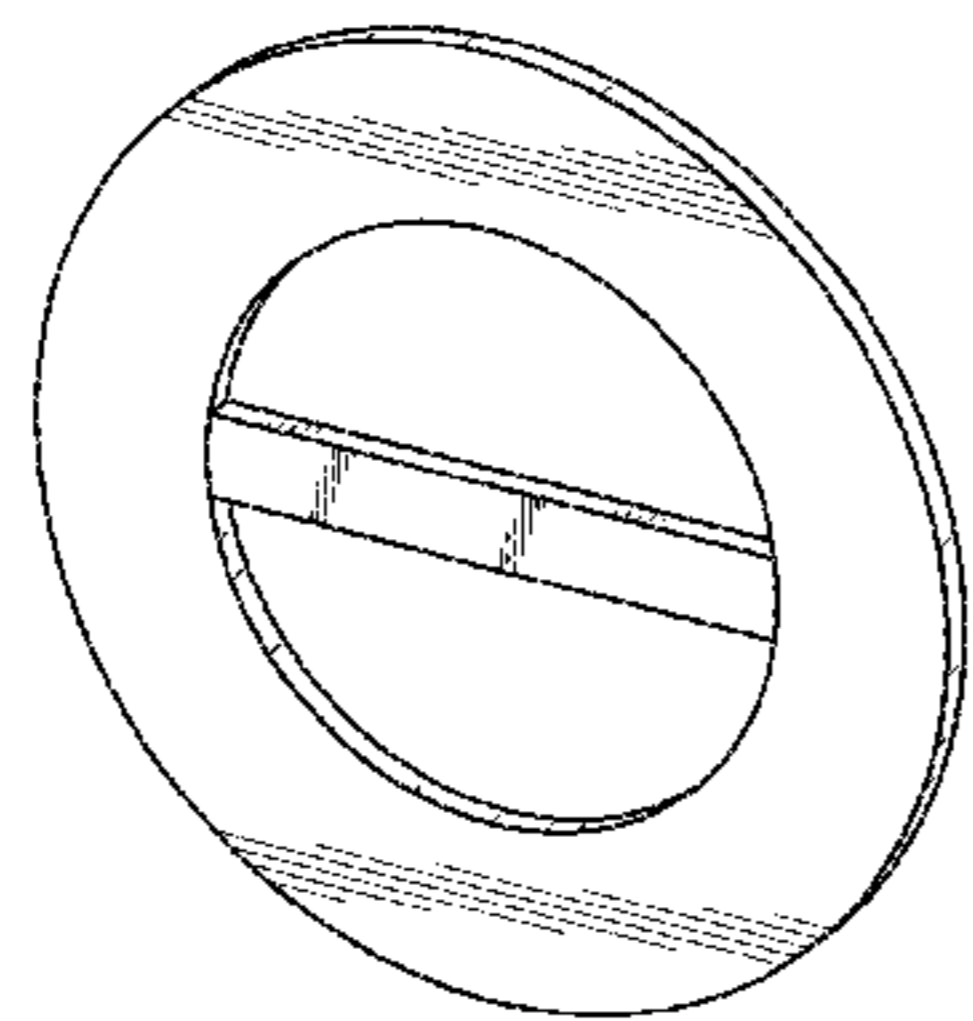
(57) **CLAIM**

The ornamental design for a set of components for a magnetic button, as shown and described.

DESCRIPTION

FIG. 1 is a perspective front view of a set of components for a magnetic button, showing my new design;
FIG. 2 is a perspective rear view thereof;
FIG. 3 is a front view thereof;
FIG. 4 is a rear view thereof;
FIG. 5 is a left side view thereof with a right side view being a mirror image; and,
FIG. 6 is a top view thereof with a bottom view being a mirror image.

1 Claim, 6 Drawing Sheets



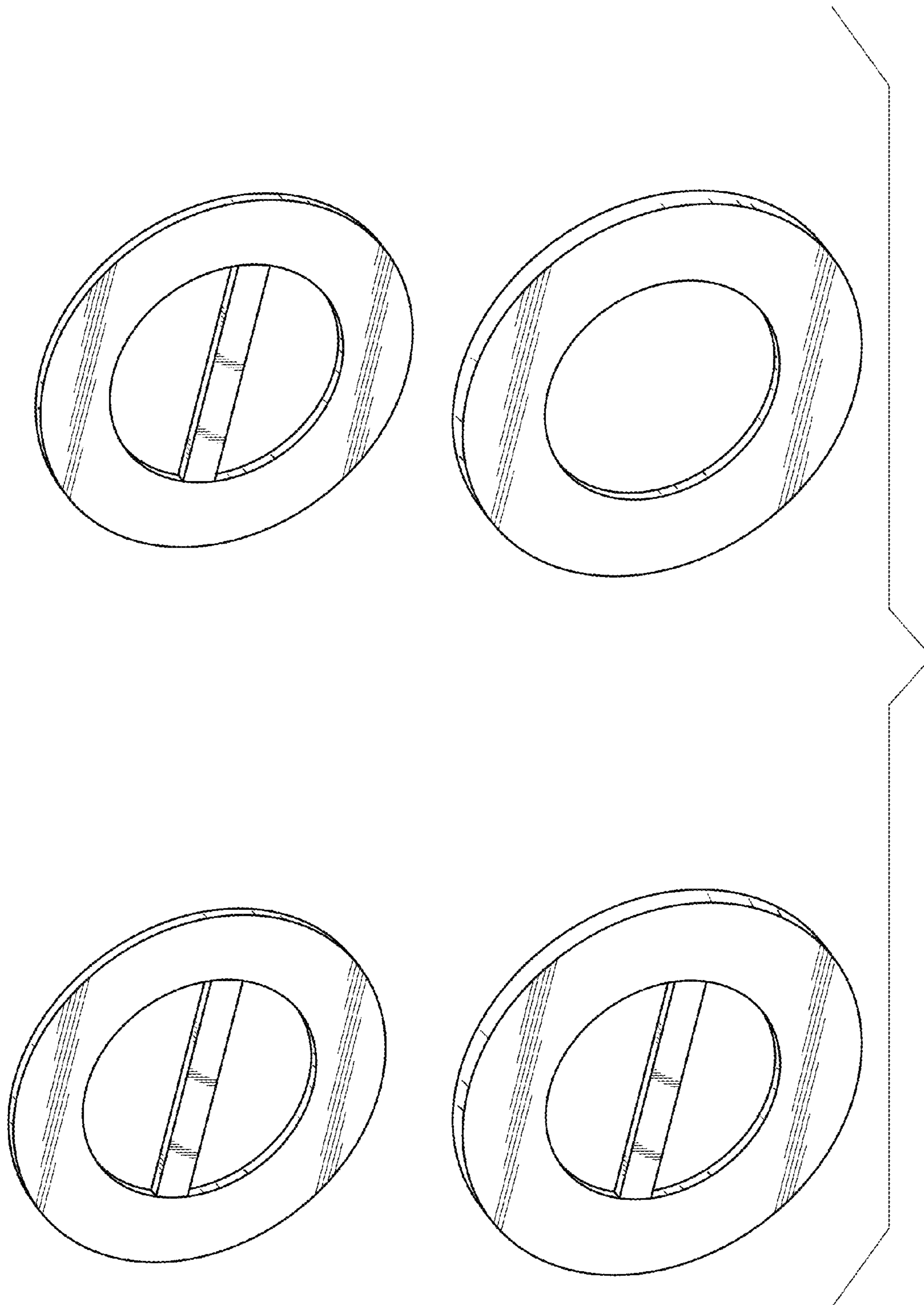


Fig. 1

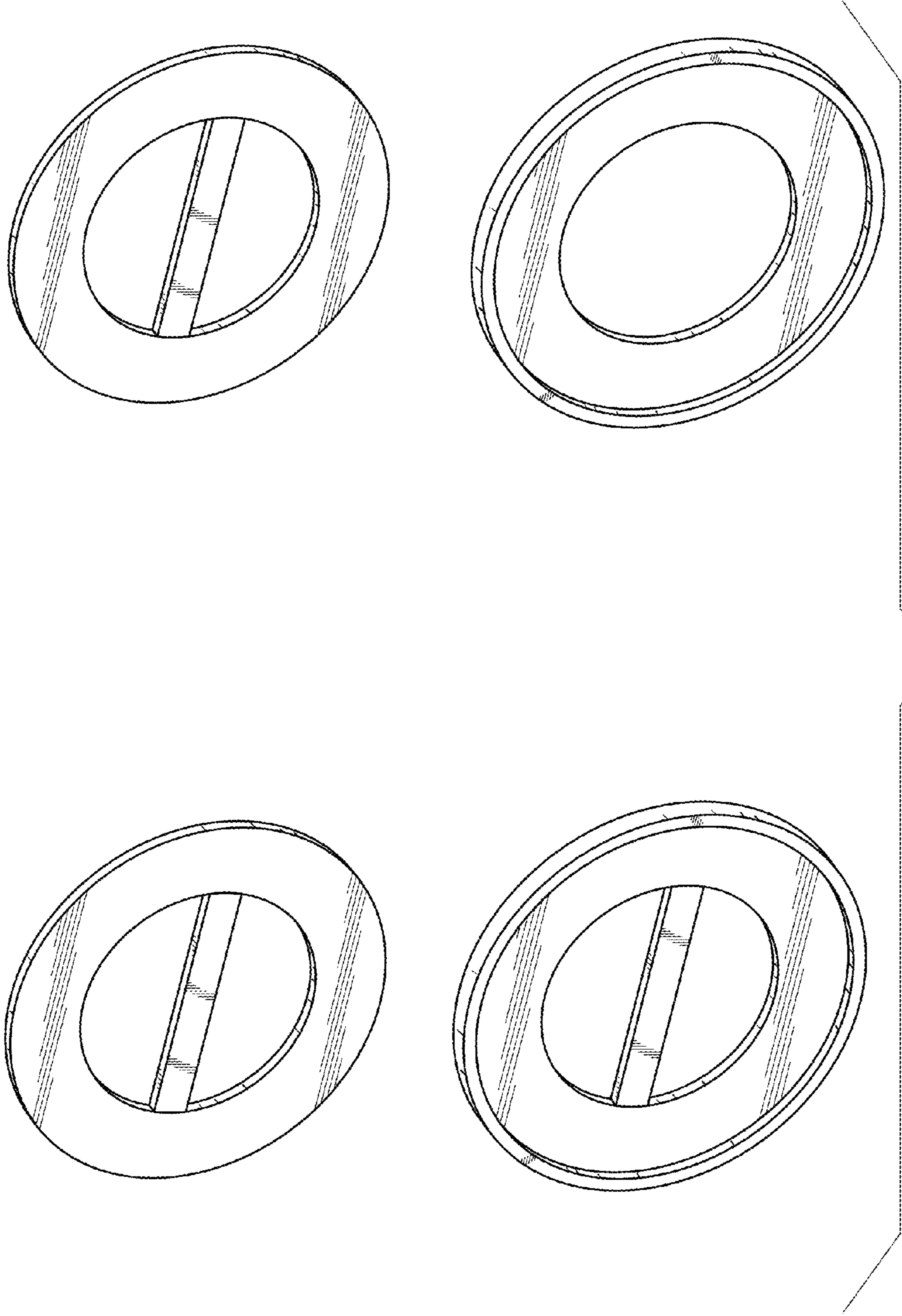


Fig. 2

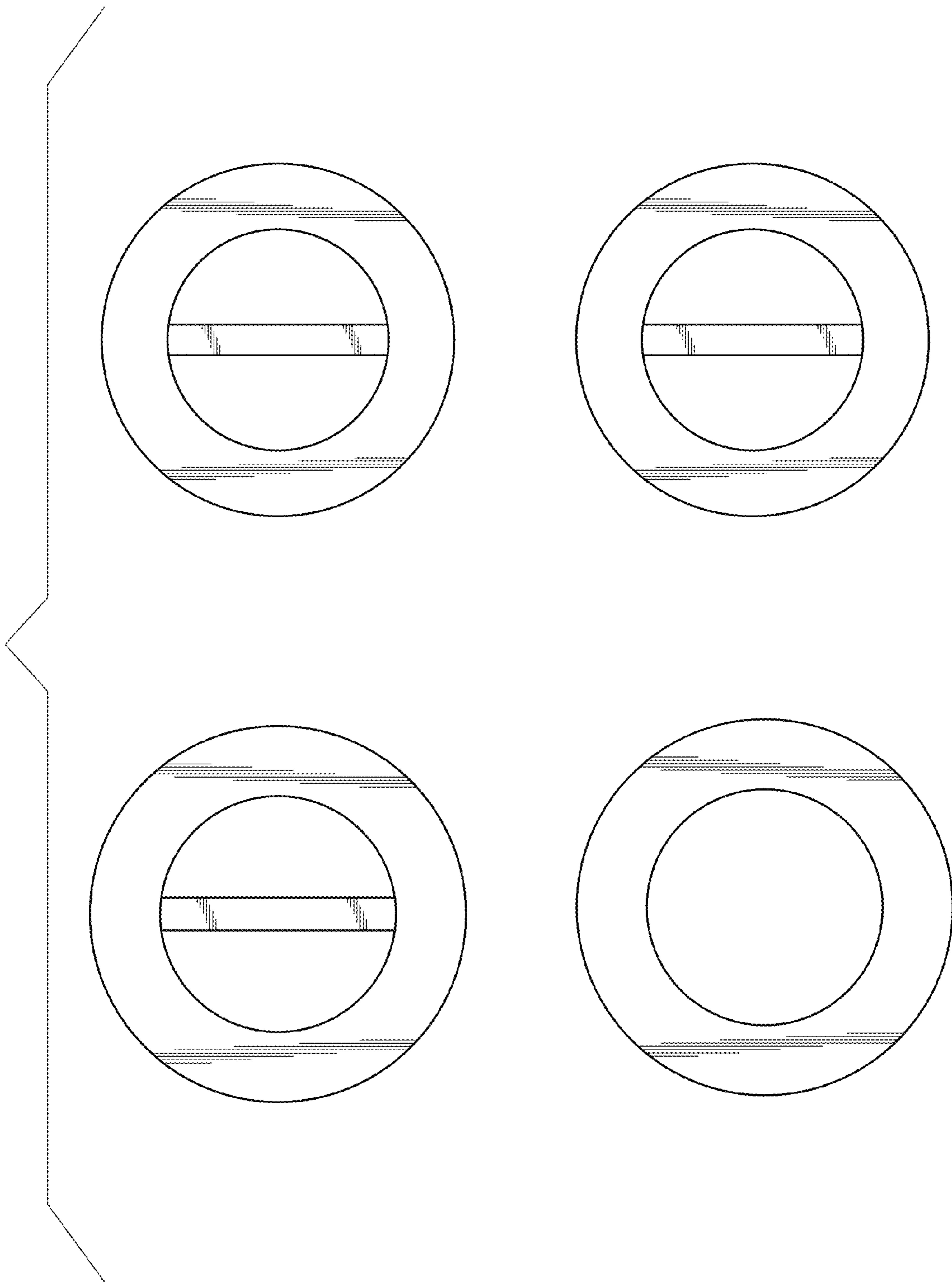


Fig. 3

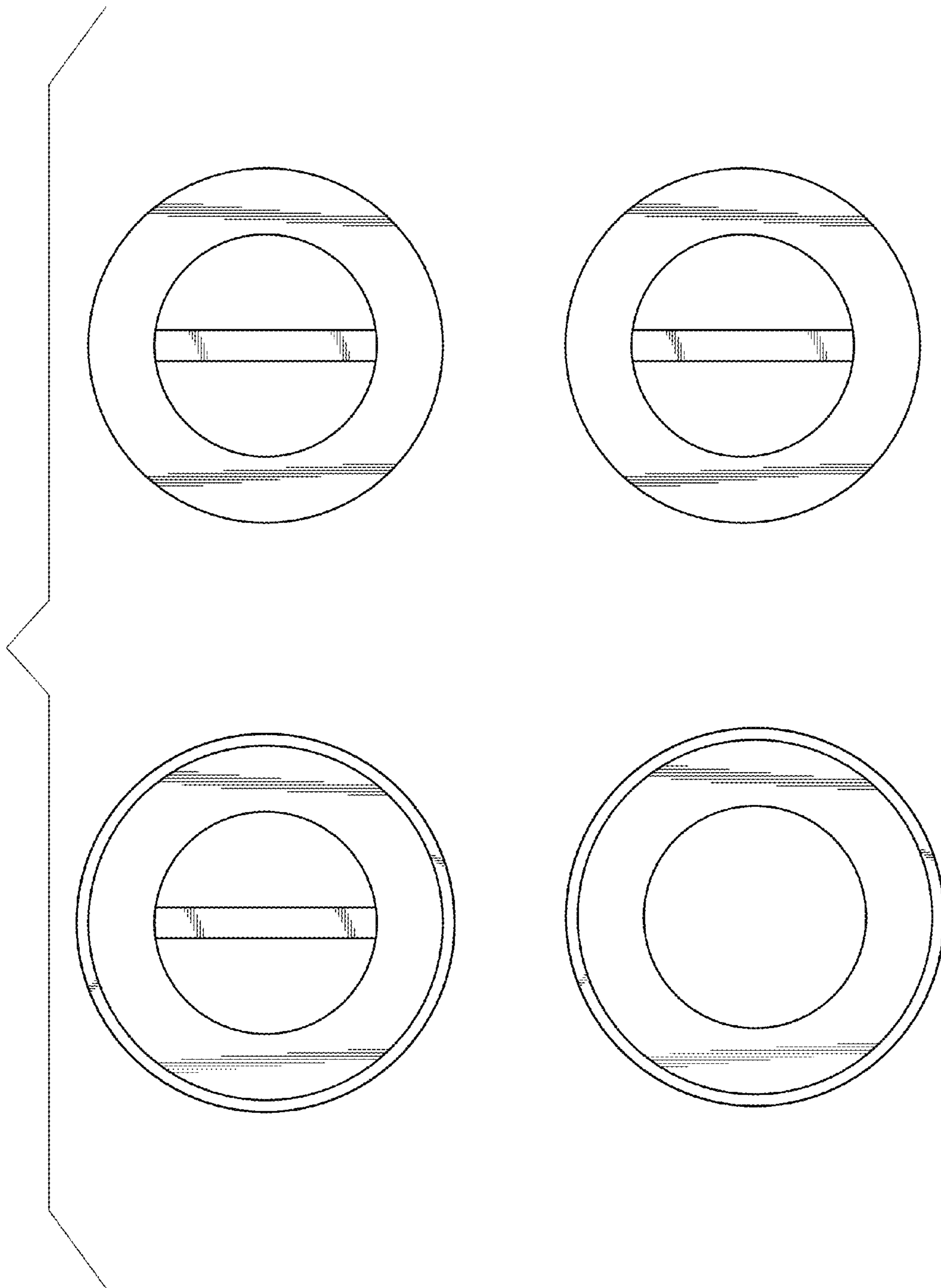


Fig. 4

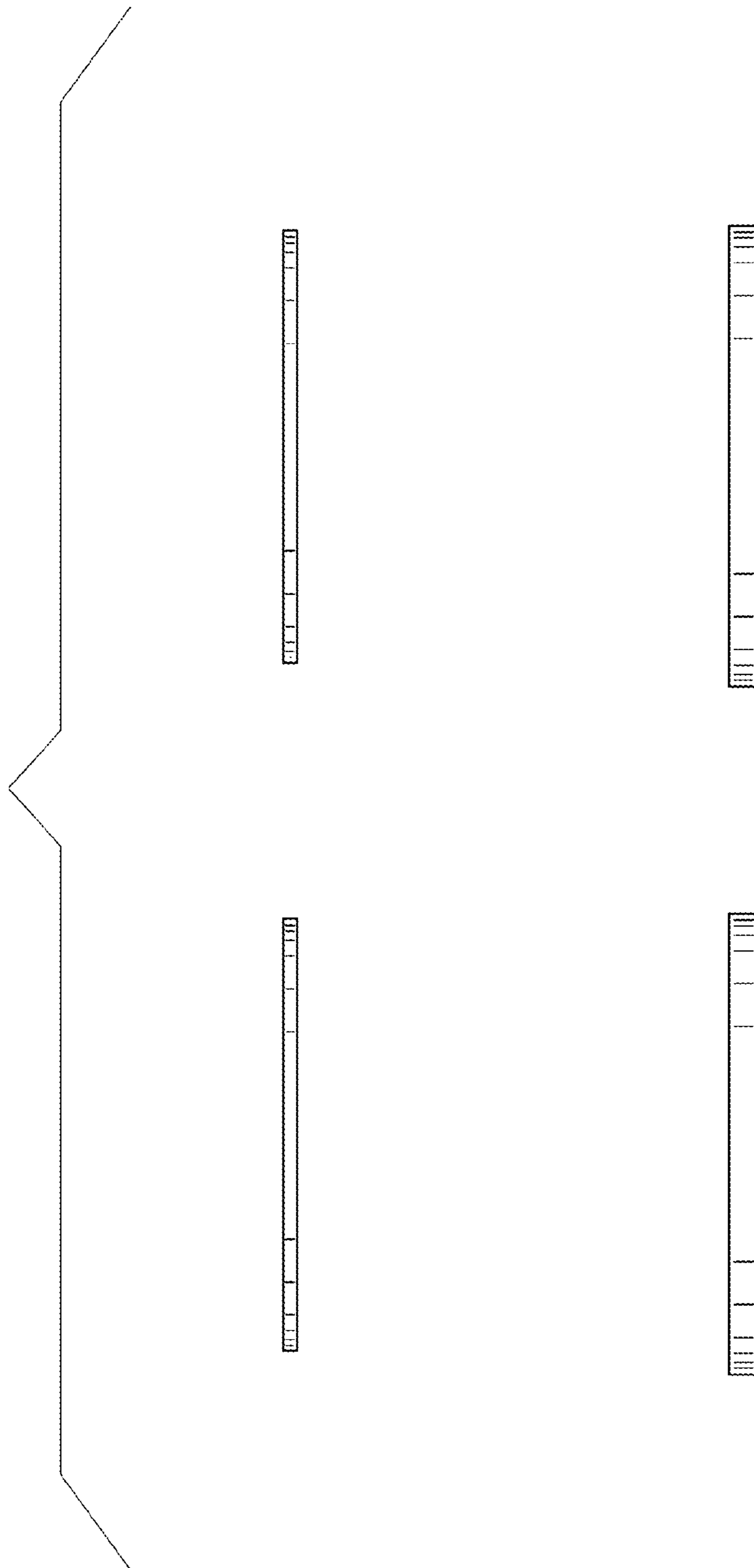


Fig. 5

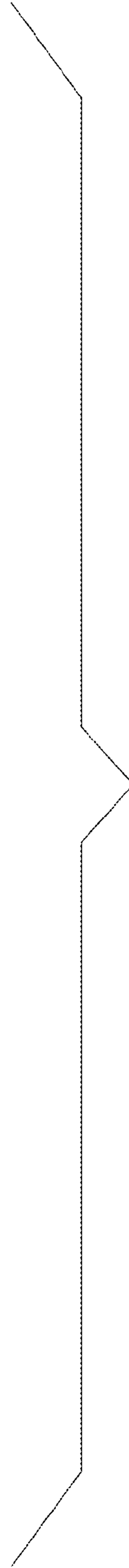
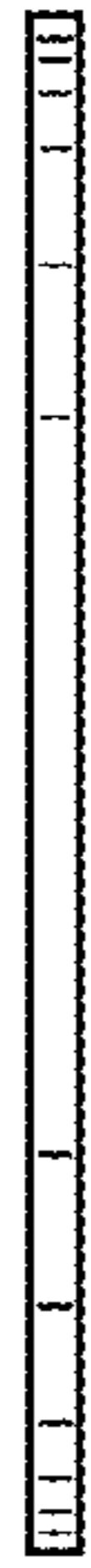


Fig. 6