



US00D706166S

(12) **United States Design Patent**
Kearl

(10) **Patent No.:** **US D706,166 S**
(45) **Date of Patent:** **** Jun. 3, 2014**

(54) **FLY TIE**
(71) Applicant: **Rachel Kearl**, San Clemente, CA (US)
(72) Inventor: **Rachel Kearl**, San Clemente, CA (US)
(73) Assignee: **Kevel Incorporated**, San Clemente, CA (US)

5,586,368 A * 12/1996 Nelson 24/390
D578,430 S * 10/2008 Ball D11/221
D631,788 S * 2/2011 Dawson D11/221
D651,131 S * 12/2011 Pontaoe et al. D11/221

(**) Term: **14 Years**
(21) Appl. No.: **29/445,265**
(22) Filed: **Feb. 8, 2013**

* cited by examiner

Primary Examiner — Ralf Seifert
(74) *Attorney, Agent, or Firm* — Jeffrey M. Lillywhite, PC

(51) **LOC (10) Cl.** **02-07**
(52) **U.S. Cl.**
USPC **D11/221; D2/642**

(57) **CLAIM**
The ornamental design for a fly tie, as shown and described.

(58) **Field of Classification Search**
USPC D11/200, 201, 221; 24/381–383,
24/385–387, 414–417, 421–422, 427–431,
24/433, 424; 2/265; D2/641, 642; 294/3.6;
223/118

DESCRIPTION

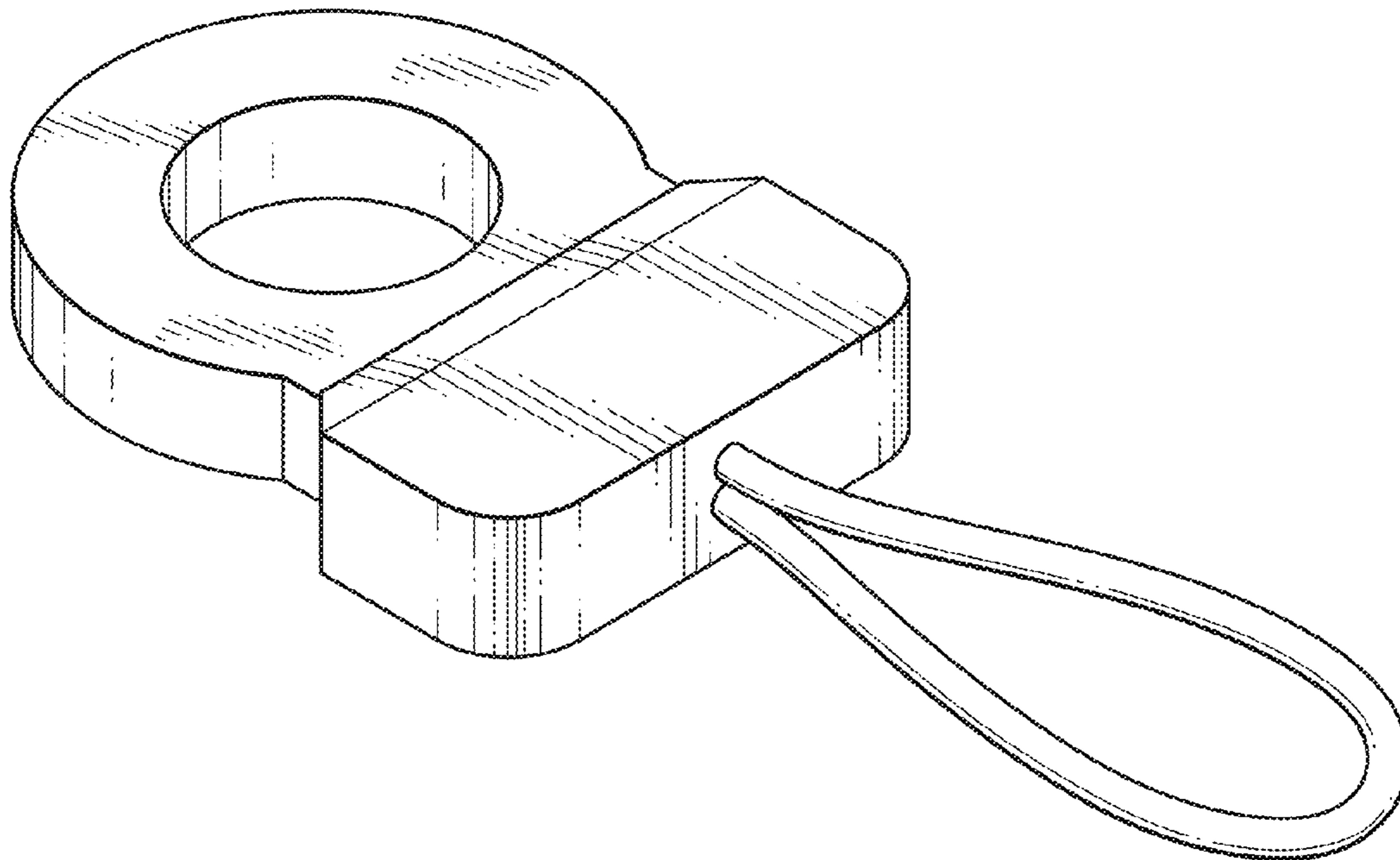
See application file for complete search history.

FIG. 1 is a first perspective view of a fly tie showing my new design;
FIG. 2 is a second perspective view thereof;
FIG. 3 is a front view thereof;
FIG. 4 is a side view thereof;
FIG. 5 is a top view thereof; and,
FIG. 6 is a bottom view thereof.

(56) **References Cited**
U.S. PATENT DOCUMENTS

D172,298 S * 5/1954 Odencrants D11/208
D320,367 S * 10/1991 Kalbach D11/221

1 Claim, 2 Drawing Sheets



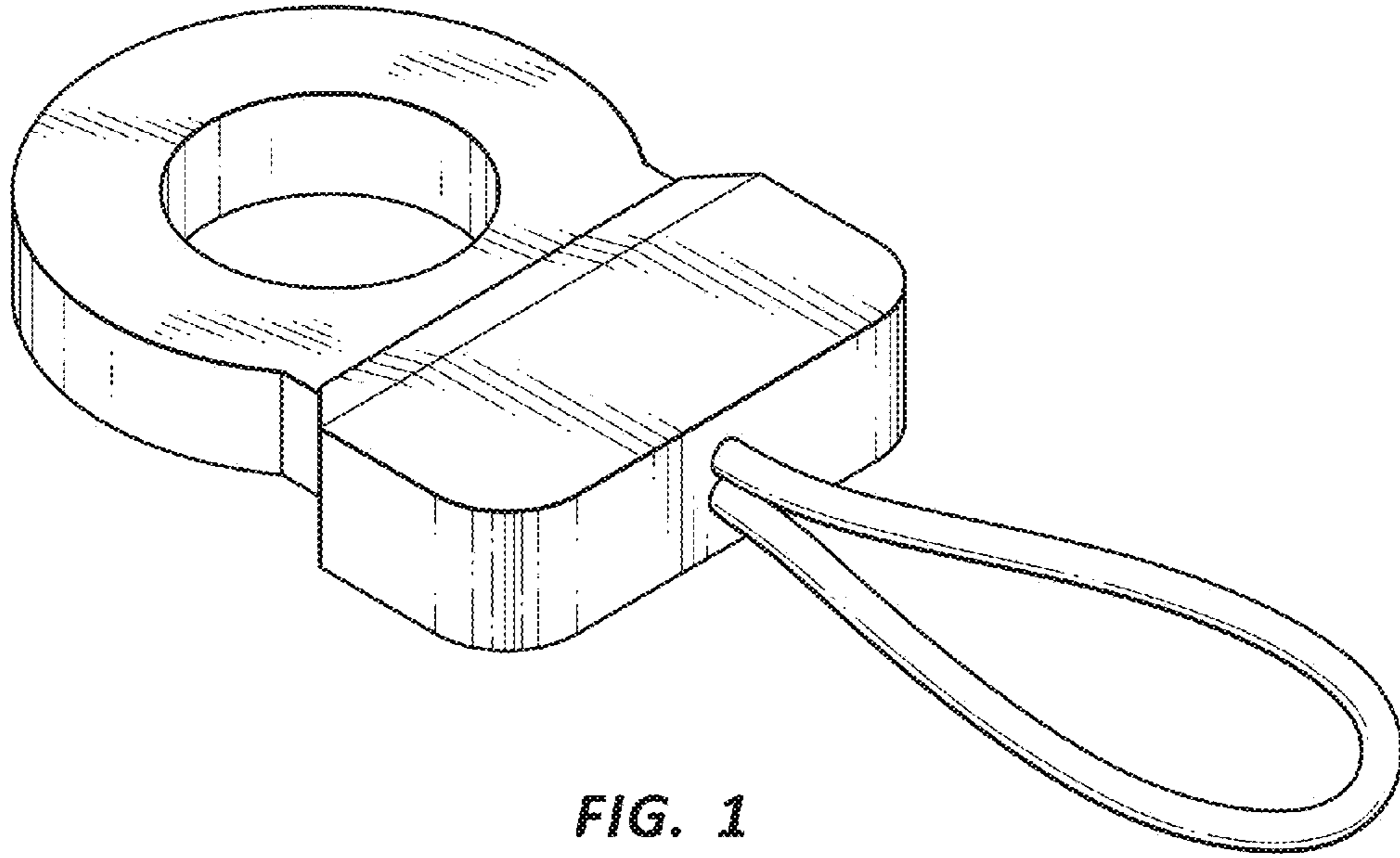


FIG. 1

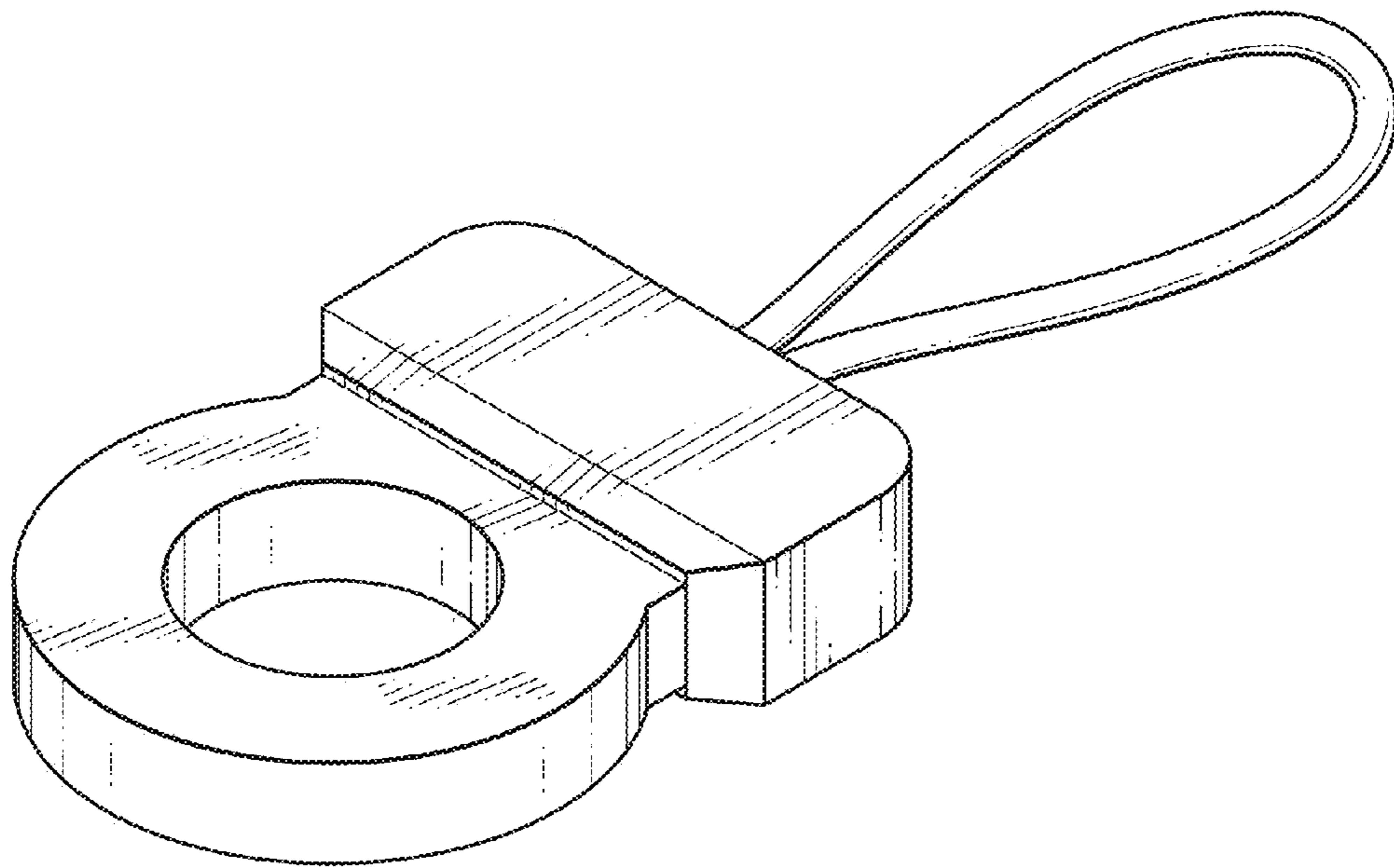


FIG. 2



FIG. 5

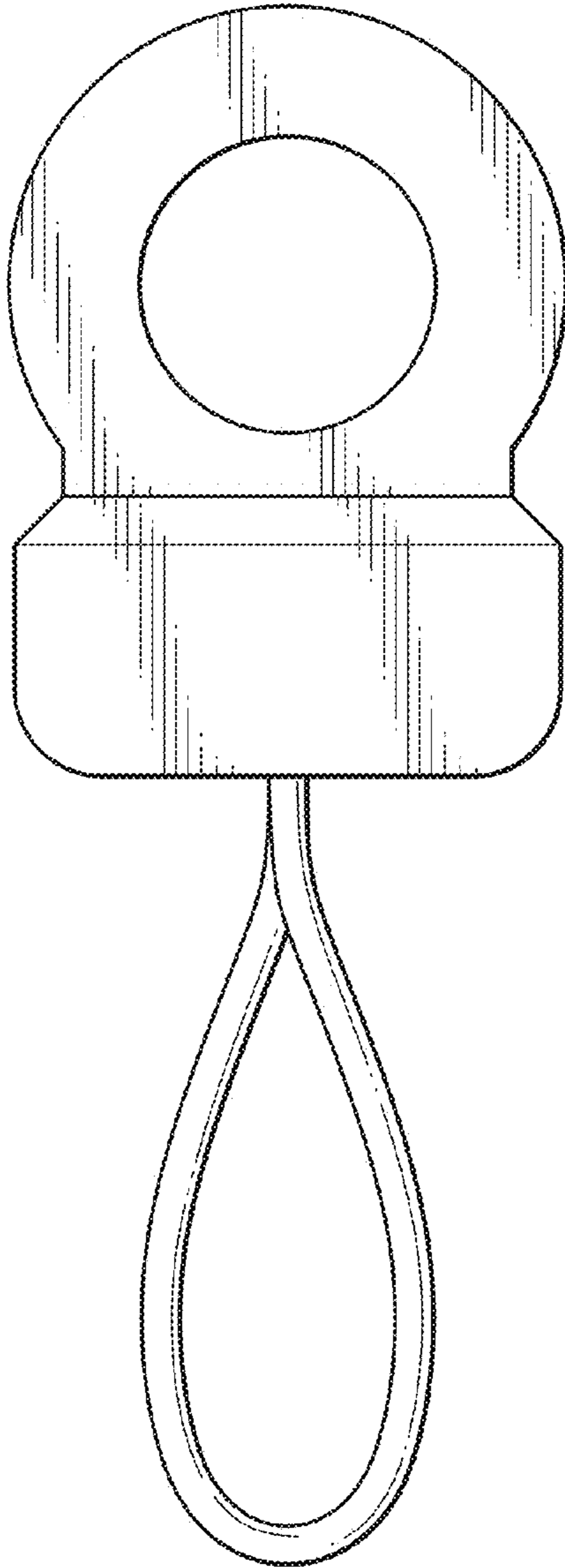


FIG. 3

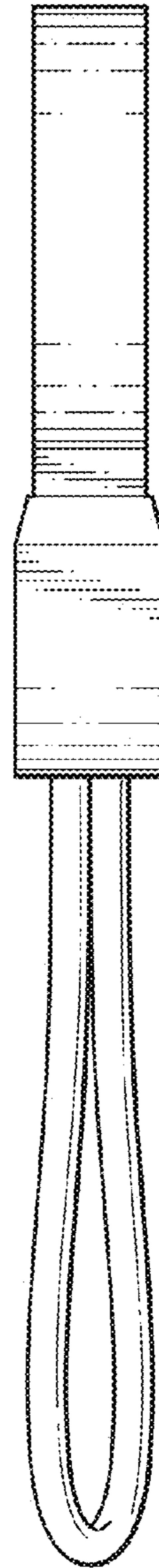


FIG. 4



FIG. 6